



Product: 28 INCH LINER HOOD IN 15" HEIGHT

Model Number: TLH2815

GENERAL PROPERTIES

| | |
|-------------------------------------|-----------------------|
| Number of Speeds | 3 |
| CFM at Low / Medium / High | 190 / 286 / 350 |
| Noise Level | 3 |
| Noise Rating at Low / Medium / High | 43 dB / 51 dB / 57 dB |
| Ducted / Recirculating Convertible | Yes |
| Filter Type | Baffle Filter |
| Filter Qty | 2 |
| Lighting | 1 x 6W warm white LED |
| Control Type | Button |
| Delay Function | Yes [5 mins] |
| Duct Size (in.) | 5-7/8" |
| Duct Type | Round |
| Damper Included | Yes |

PRODUCT DIMENSIONS & WEIGHTS

| | |
|--------------------------------|---------------------------------|
| Product Dimensions (WDH) (in.) | 27-15/16" x 14-15/16" x 15-1/4" |
| Cutout Dimensions (WDH) (in.) | 27-1/4" x 14-3/8" x 15-1/2" |
| Net Weight (lbs.) | 25 |
| Gross Weight (lbs.) | 32.7 |
| Package Dimensions (WDH) (in.) | 30-1/2" x 18-1/2" x 18-5/16" |

ACCESSORIES (OPTIONAL)

| |
|-----------------|
| Charcoal Filter |
| Aluminum Pipe |

Specifications subject to change without notice.

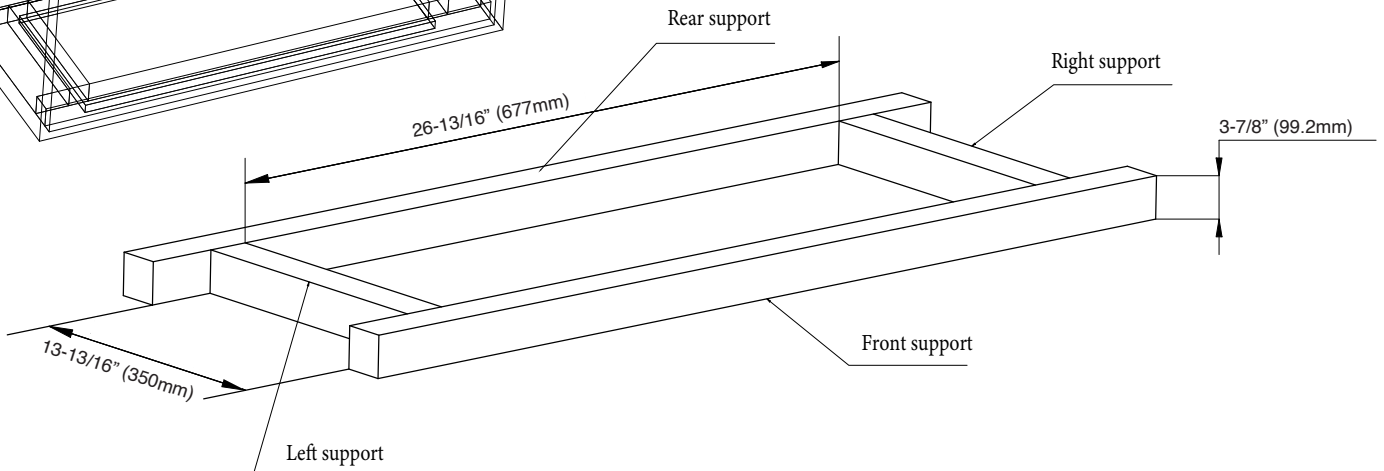
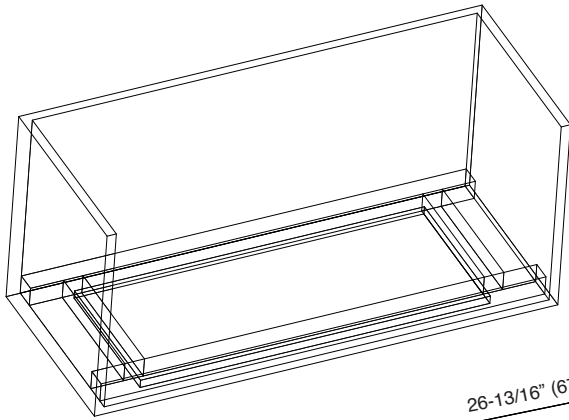
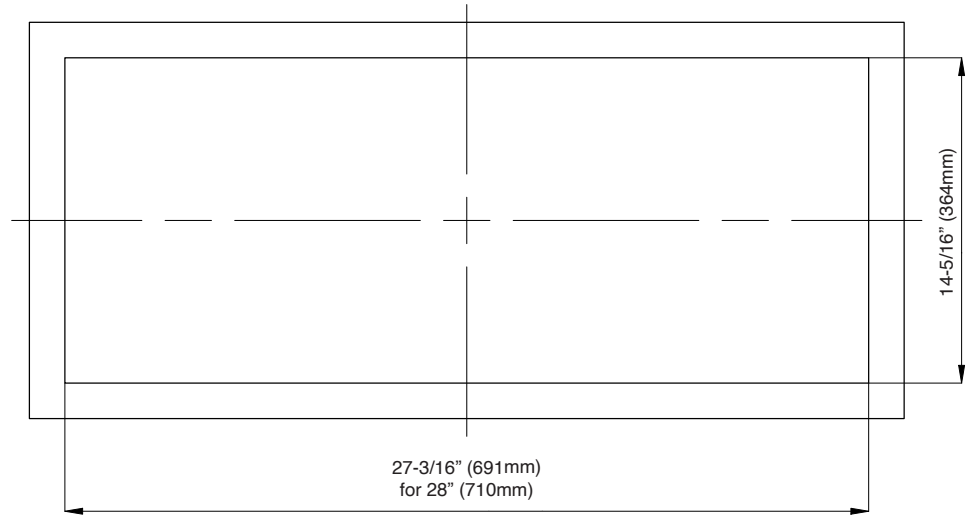
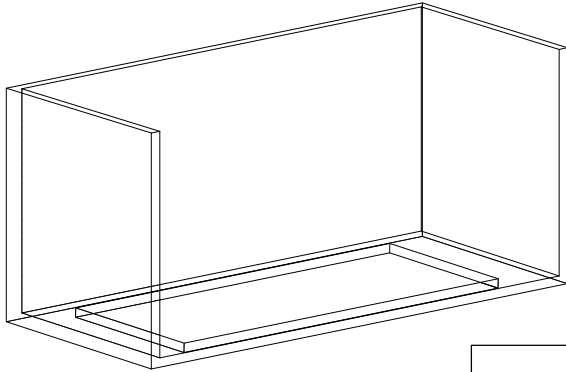
FEATURES & BENEFITS

- + Durable Stainless Steel Finish:** Provides a sleek, modern look that complements any kitchen style while ensuring long-lasting strength and quality.
- + Efficient 350 CFM Ventilation:** Provides effective airflow to manage everyday cooking smoke, steam, and odors.
- + Dual Installation Options (Ducted or Ductless):** Convertible ducted or ductless installation for flexible setup.
- + Easy Push Button Controls:** Simple mechanical buttons for hassle-free operation.
- + Bright, Energy-Saving LED Lights:** Illuminates the cooking surface clearly while minimizing energy use.
- + Dishwasher-safe Baffle Filters:** Removable filters trap grease and are easy to clean for long-lasting performance.
- + Three-Speed Fan Settings:** Adjustable airflow to suit light simmering or more intensive cooking.

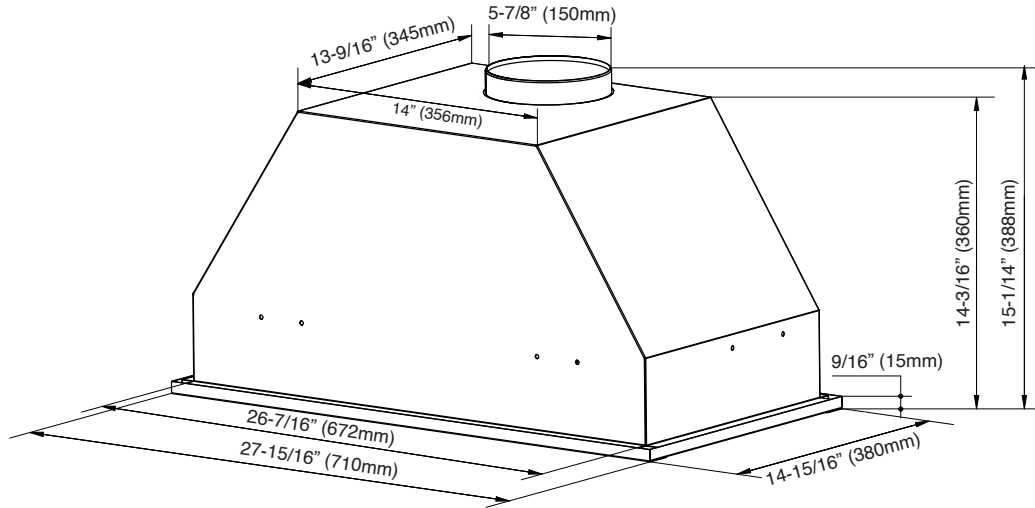
TECHNICAL DETAILS

| | |
|-------------------------|-----------------|
| Mounting Type | Insert |
| Watts (W) | 196W |
| Amperage (Dedicated) | 15A |
| Volts (V) | 120V |
| Frequency (Hz) | 60Hz |
| Plug Type | US 3-prong plug |
| Power Cord Length (in.) | 35-3/8" |





Specifications subject to change without notice.



Specifications subject to change without notice.

REV:042026