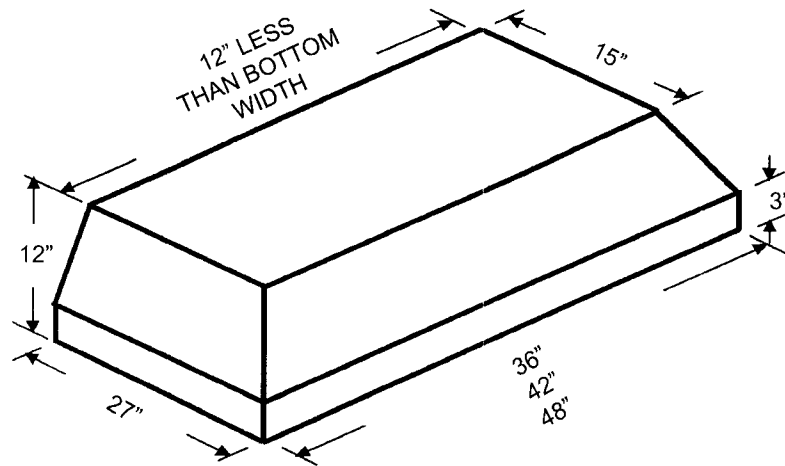


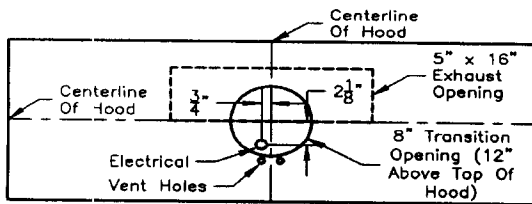
Vent Hood® ISLAND LINER INSERT SPECIFICATIONS

TSLE/THSLE "H" in part number indicates halogen lighting. This model not available with heat lamps.

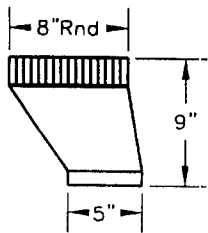


TSLE/THSLE

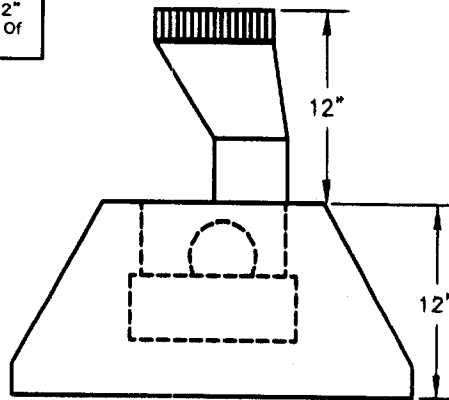
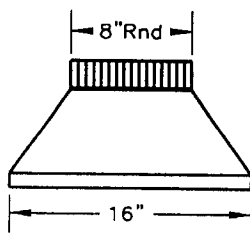
Blower Outlet Diagram (36", 42", 48" Widths)



T200 Dual Blower
Top View

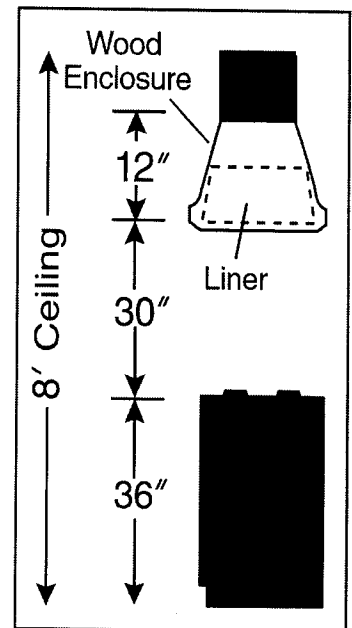


VP565 Standard Transition
(Included)



Transition Installed
Side View

Mounting Height



Electrical/Mechanical Specifications For Blower Units

Model	Motor	Type	Volts	Amps	HZ	RPM	CFM SP@0.0"	Equivalent CFM	CFM SP@0.1"	CFM SP@0.2"	CFM SP@0.3"	Minimum Round Duct Size	Square Inches
T200 Dual	(2) 1/25	(2) Shaded Pole	115	3.4●	60	1550	600	900	572	540	480	8" (or equivalent)	50

●Note: Add .5 amp for each halogen bulb. Equivalent CFM refers to the fact that the Magic Lung blower uses centrifugal filtration units, whereas others use conventional filters. Apply this guideline when comparing blower units made by other manufacturers. Hood is available with fluorescent light (2 for each dual blower) or with halogen lights- one in each corner.