

PRO COOKTOP 48" 6 STAR® BURNER COOKTOP WITH GRIDDLE

Thermador® | *An American Icon™*



PCG486ED

Professional Series 48" cooktop with 6 Star Burners (2 with ExtraLow® feature) and Electric Griddle.

FEATURES & BENEFITS

- 4-in-1 brass Star Burner.
- 15,000 BTU/hr and 375 BTU/hr ExtraLow simmer-and-hold capacity.
- High performance with fast time-to-boil and even heat distribution.
- ExtraLow Feature: Our ExtraLow feature simmers without scorching. Perfect for delicate sauces.
- Lighter, continuous porcelain-coated cast-iron grates increase air flow and are easier to clean despite its large size.
- Thermador's exclusive blue LED lights indicate burner use
- Our 12" electric griddle is available on this series that provides 1 grease capture trays.
- Multiple configurations: Customize your cooktop to suit your cooking style, available in configurations featuring titanium-surface, rust-proof and non-stick electric griddle.

SKU	PCG486ED
Size	48"
Type	Gas Cooktop
Color	Stainless Steel

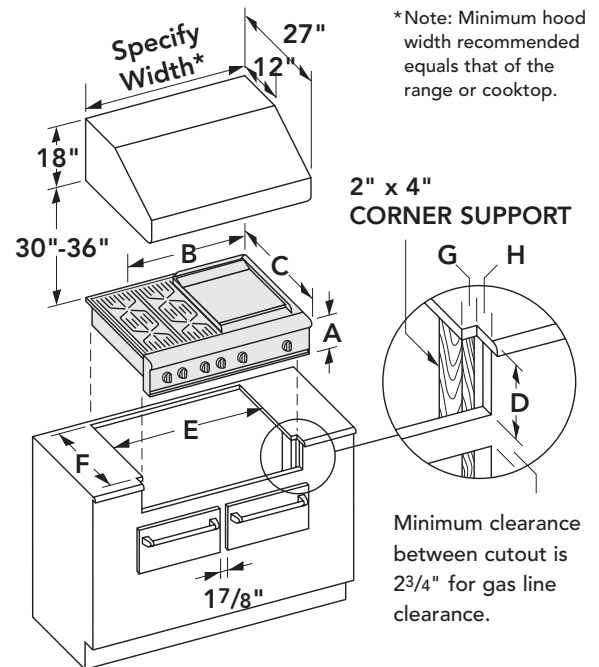
MAIN FEATURES

120 Volts, 3 Prong Plug, 60 Hz Single Phase A.C., 15 Amps	■
BTU/hr	60,000
Fuel Type	NG
Approximate Shipping Weight	200
LP Converter Orifices	■
Order (PLPKIT)	

BACKGUARD ACCESSORIES

12" Low Back Guard††	GPS48LBS
Island Trim††	GPS48ITS
Black Knob Accessory Kit	KNOBCTBLK
Blue Knob Accessory Kit	KNOBCTBLU
Electric Grillplate	EGRILLPLATE
12" Chopblock	PC12CHPBLK

48" Cooktop with Cutout and optional Warming Drawer



Model No.	BTU/hr Max.	Overall Dimensions			Cutout Dimensions*				
		A	B	C	D	E	F (min.)	G	H
PCG486ED	60,000	8 ¹ / ₈	47 ⁷ / ₈	26 ¹ / ₂	7 ¹³ / ₁₆	46 ¹ / ₈	22 ¹¹ / ₁₆	13 ¹ / ₁₆	2

BSH reserves the absolute and unrestricted right to change product materials and specifications, at any time, without notice. Consult the product's installation instructions for final dimensional data and other details. Applicable product warranty can be found in accompanying product literature (or you may contact your account manager for further details). **Notes:** All height, width and depth dimensions are shown in inches. *According to AHAM standards. **Please refer to installation instructions prior to making cutout. ***Available as separate accessory: Island Installations are not recommended. ††Order separately.

1 866 55 THERMADOR | WWW.THERMADOR.COM | 5551 MCFADDEN AVENUE, HUNTINGTON BEACH, CA 92649