

T24IW901SP

24-INCH BUILT-IN WINE PRESERVATION COLUMN

FREEDOM® COLLECTION, PANEL-READY



FEATURES & BENEFITS

- Freedom® Hinge enables true flush design
- Auto Door Opening provides the opening of the door with just a slight push or pull
- Three Independent Temperature Zones for your complete collection
- Smooth Filtered Lighting for clear and easy viewing of all product
- TFT control panel managing all your columns functions
- Sleek clean design for the perfect symmetry when paired with additional columns

GENERAL PROPERTIES

Home Connect™ (Wi-Fi Enabled)	Yes
Panel Ready	Yes
Reversible Door Swing	Yes
SoftClose® Door	Yes*
Carbon Air Filter	Yes
Lighting	LED Sidewall and Theater Lighting
Number of Shelves	11
Number of Slide-out Shelves	8
Shelf Material	Wenge Wood / Aluminum Frame
Full Extension Drawers @ 115° Door Opening Angle	Yes
Full Extension Drawers @ 90° Door Opening Angle	Yes
Presenter Shelf with Light	Yes
Portable Aluminum Wine Presenter	Yes
Type of Glass Door	Tempered and UV-protective
Number of Temperature Zones	3
Door Open Alarm	Yes
Open Door Assist	Yes
Special Modes	Sabbath, Economy, Vacation

CAPACITY

Bottle Capacity (750 ml)	92
Bottle Capacity (750 ml) with Additional Accessory Shelf (Sold Separately)	99

TEMPERATURE RANGES

Zone 1 (Upper Zone)	41°F (5°C) to 68°F (20°C)
Zone 2 (Middle Zone)	41°F (5°C) to 68°F (20°C)
Zone 3 (Lower Zone)	41°F (5°C) to 68°F (20°C)

TECHNICAL DETAILS

Watts (W)	350 W
Current (A)	15 A
Volts (V)	110-120 V
Frequency (Hz)	60 Hz
Power Cord Length (in.)	118
Plug Type	120V-3 Prong

DIMENSIONS & WEIGHT

Appliance Dimensions (H x W x D) (in.)	83 3/4*** x 23 3/4" x 24"
Required Cutout Size (H x W x D) (in.)	84" x 24" x 25"
Net / Gross Weight (lbs)	344 / 366 lbs

EFFICIENCY

ENERGY STAR® Qualified	No
Annual Energy Consumption	410 kWh

*To verify if you have a refrigeration unit with Soft-Close capability please contact our customer team by calling 1-800-735-4328.

**Height adjustable + / -1/2" (+ / -13 mm)

T24IW901SP

24-INCH BUILT-IN WINE PRESERVATION COLUMN

FREEDOM® COLLECTION, PANEL-READY

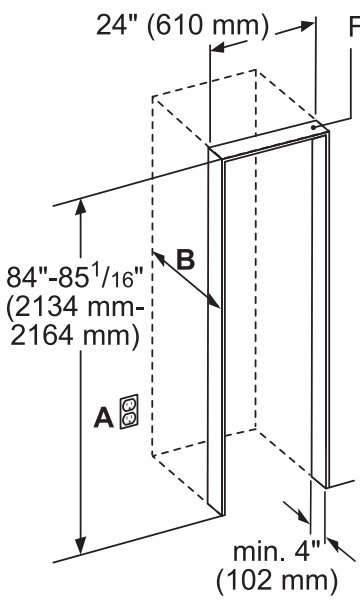


WARRANTY

Limited, Entire Appliance, Parts and Labor on Any Part of the Refrigerator that Fails Because of a Manufacturing Defect	2 Year
Limited Warranty for Sealed Refrigeration System*; Parts and Labor	3rd to 6th Year
Limited Warranty for Sealed Refrigeration System*; Parts Only	7th to 12th Year
Limited Warranty for Stainless Steel Rust-Through	Lifetime

*Sealed refrigeration system includes compressor, evaporator, condenser, dryer / strainer and connection tubing

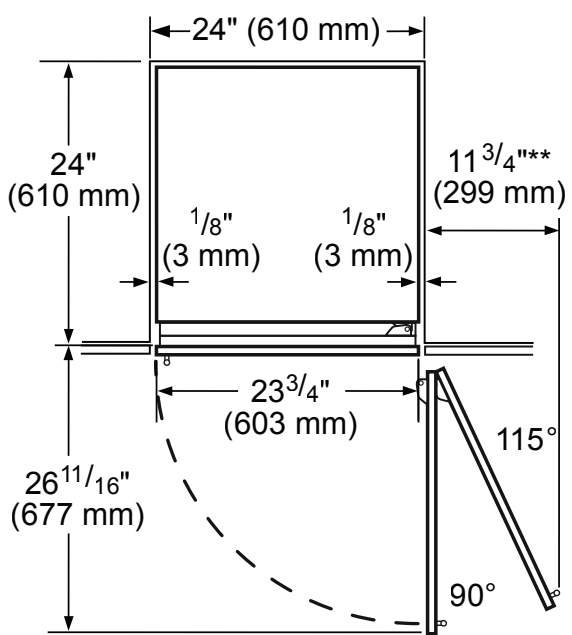
CUTOUT DIMENSIONS



A: Area for installation of power connection.

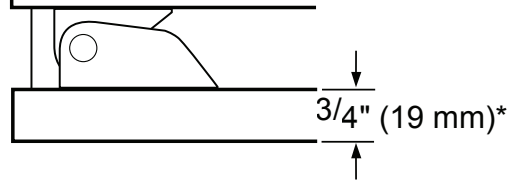
B: Recess depth depends on kitchen design. For a flush installation, the depth needs to be at least 24 inches plus the thickness of the door panel. Panel dimensions based on a standard 1/8" reveal and 4 inch toe kick. Custom panel dimensions may vary depending on kitchen reveals and toe kick. Stainless steel models contain a panel-ready base unit, ready-to-install stainless steel door(s) with a right or left door swing and handle(s).

TOP VIEW CLEARANCE



** Door handle must be added to this dimension

* Depends on the thickness of the furniture door. 3/4" (19 mm) is relevant for the stainless steel door. (special Accessory).



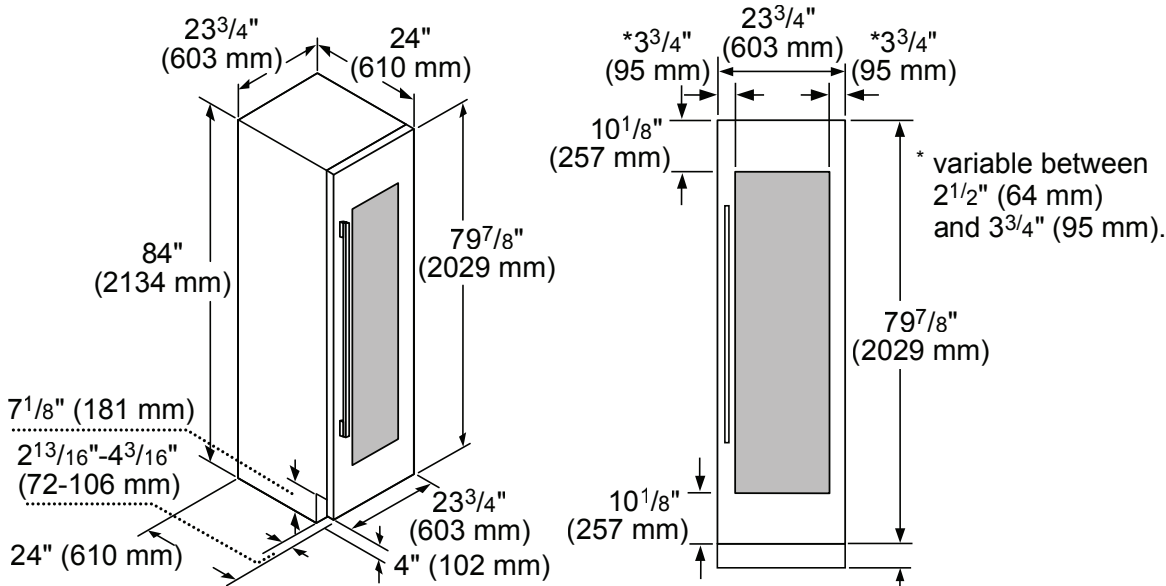
T24IW901SP

24-INCH BUILT-IN WINE PRESERVATION COLUMN

FREEDOM® COLLECTION, PANEL-READY



PRODUCT AND PANEL DIMENSIONS



ACCESSORIES (OPTIONAL)

FLAT STAINLESS STEEL DOOR PANELS

24-Inch Flat Stainless Steel Door Panel



TFL24IW800
For use with Handle
TFL24IW905
Handleless

NOTE: Handleless Panels should not be installed on units without the Soft-Close capability. If you are uncertain if you have a refrigeration unit with Soft-Close capability please contact our customer team by calling 1-800-735-4328.

HANDLES

NOTE: Choose one handle for each column, choose 2 handles for each 2-door bottom freezer and choose 3 handles for each French Door bottom freezer.



PR36HNDL20
36-Inch Professional Series Handle
PR30HNDL20
30-Inch Professional Series Handle

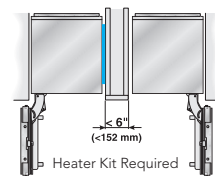


MS36HNDL20
36-Inch Masterpiece® Series Handle
MS30HNDL20
30-Inch Masterpiece® Series Handle

WINE PRESERVATION SHELF



T24WINERK1
24-Inch Wine Column Shelf, increases capacity to 99 bottles (750mL)



HEATRKIT20 – 13W @ 120V

Freedom® Heater Kit

When two appliances are installed side-by-side a sealing kit must be used. For combinations that involve a freezer column, this kit is included. For all other (non-traditional, i.e. two wine columns, two bottom freezers, etc.) side-by-side combinations or instances where any appliances are installed less than 6-inches (152 mm) apart from one another but not connected side-by-side, purchase this kit. This kit is recommended for use with any installation in areas that are subject to humidity, or located next to an outside wall.

These warranties give you specific legal rights and you may have other rights that vary from state to state. Full warranty and limited warranty from date of installation. For complete warranty details, refer to your Use & Care manual, or ask your dealer.

Specifications are for planning purposes only. Refer to installation instructions and consult your countertop supplier prior to making counter opening. Consult with a heating and ventilation engineer for your specific ventilation requirements. For the most detailed information, refer to installation instructions accompanying product or write to Thermador indicating the model number. Specifications are correct at time of printing. Thermador reserves the right to change product specifications or design without notice. Some models are certified for use in Canada. Thermador is not responsible for products that are transported from the U.S. for use in Canada.