

24 IN. TOP CONTROL BUILT-IN DISHWASHER IN STAINLESS STEEL

SKU TDW24C7

INSTALLATION MANUAL


THOR
KITCHEN®

INSTALLATION MANUAL

24 IN. TOP CONTROL BUILT-IN DISHWASHER WITH AUTO OPEN DOOR DRYING, 7 PROGRAMS, THIRD RACK, 47DBA IN STAINLESS STEEL

TDW24C7

THOR
K I T C H E N[®]



Thank you for choosing THOR KITCHEN. This product has been manufactured by Thor International, 4651 E Airport Drive, Ontario, CA 91761. This manual contains all the information you will need to install / use the product correctly and safely. Please read all the instructions prior using the product, and keep this manual in a secure place for future reference. Do not remove the attached adhesive identification label containing code, model number, manufacturer and other information from the product. This label will be used by the THOR KITCHEN authorized service representative in the event that your product needs servicing.

Nous vous remercions d'avoir choisi THOR KITCHEN. Cet appareil a été fabriqué par Thor International, 4651 E Airport Drive, Ontario, CA 91761. Le présent manuel contient l'intégralité des consignes dont vous aurez besoin pour installer l'appareil correctement et en toute sécurité. Veuillez lire l'intégralité des consignes avant installation de l'appareil, puis conservez le présent manuel en lieu sûr afin de pouvoir vous y référer ultérieurement. Ne pas retirer de l'appareil l'étiquette d'identification adhésive qui contient le code, le numéro de modèle, le nom du fabricant et toutes autres informations. Ladite étiquette sera utilisée par le représentant du service après-vente agréé de THOR KITCHEN au cas où votre appareil nécessiterait réparation ou entretien.

Gracias por elegir a THOR KITCHEN. Este electrodoméstico fue fabricado por Thor International, 4651 E Airport Drive, Ontario, CA 91761. Este manual contiene toda la información que necesitará para instalar y usar el electrodoméstico de manera adecuada y segura. Lea todas las instrucciones antes de instalar el electrodoméstico, y mantenga este manual en un lugar seguro para usarlo como referencia a futuro. No quite la etiqueta de identificación adhesiva que contiene el código, número de modelo, fabricante y otros datos del electrodoméstico. El representante de servicio autorizado por THOR KITCHEN usará esta etiqueta en caso de que su electrodoméstico requiera reparaciones.

TABLE OF CONTENTS

IMPORTANT SAFETY INSTRUCTIONS	2
1.1 Information for safety	2
1.2 Signal words explanation	2
APPLIANCE SPECIFICATIONS	3
UNPACKING THE APPLIANCE	3
INSTALLATION REQUIREMENTS	4
2.1 Parts provided	4
2.2 Materials needed (not included)	4
2.3 Tools needed	5
2.4 Appliance and cabinet dimensions	6
2.5 Location and cabinet cutout requirements	6
2.6 Electrical requirements	7
2.7 Water supply requirements	8
2.8 Drain requirements	8
APPLIANCE INSTALLATION	9
3.1 General preparation	9
3.2 Preparing the cabinet opening	9
3.3 Installing the moisture barrier	10
3.4 Install the handle	10
3.5 Removing the toekick	11
3.6 Preparing the electrical wiring	11
3.7 Preparing the water supply line assembly	11
3.8 Preparing the drain hose	12
3.9 Leveling and adjusting the appliance	12
3.10 Preparing the appliance for the installation area	13
3.11 Installing the mounting brackets	13
COMPLETING APPLIANCE INSTALLATION	14
4.1 Checking the positioning of the utility connectors	14
4.2 Checking the appliance level	14
4.3 Anti-tip bracket installation	15
4.4 Connecting to the water supply	15
4.5 Connecting to the drain	15
4.6 Connecting to electricity	18
BEFORE FIRST USE	19
REPLACEMENT PARTS	19
WARRANTY	20

IMPORTANT SAFETY INSTRUCTIONS

1.1 Information for safety

⚠ WARNING When installing and using the appliance, follow basic precautions, including the following:

- The appliance must be installed by a qualified installer, plumber or professionals.
- Disconnect electrical power before starting.
- All electrical wiring and grounding must be done in accordance with national and local codes.
- If electrical supply is damaged, it must only be replaced by the manufacturer or its service agent or a similar qualified person in order to avoid a hazard.
- This dishwasher must be connected to a hot water supply between 120 °F (49 °C) and 149 °F (65 °C). This temperature range provides the best washing results and shortest cycle time.
- Temperature should not exceed 149 °F (65 °C) to prevent damage to dishes.
- This appliance must be positioned near to an electrical power supply.
- The appliance is to be connected to the water supply using new hoses. Old hoses should not be reused.
- Check the dishwasher for any damage before trying to install it.
- If you find any damage to the dishwasher, contact your dealer or builder immediately.
- To reduce the risk of electric shock, fire, or injury to persons, the installer must ensure that the dishwasher is completely enclosed at the time of installation.

Grounding instructions

This appliance must be connected to a grounded metal, permanent wiring system, or an equipment-grounding conductor must be run with the circuit conductors and connected to the equipment-grounding terminal or lead on the appliance.

SAVE THESE INSTRUCTIONS

1.2 Signal words explanation

The following signal words are used in this manual

⚠ DANGER	This signal word indicates a hazardous situation which, if not avoided, will result in death or serious injury.
⚠ WARNING	This signal word indicates a hazardous situation which, if not avoided, could result in death or serious injury.
⚠ CAUTION	This signal word indicates a hazardous situation which, if not avoided, could result in minor or moderate injury.
CAUTION	This signal word indicates a hazardous situation which, if not avoided, could result in property damage.
NOTICE	This signal word is a preferred signal word to address tips and practices not related to personal injury.

APPLIANCE SPECIFICATIONS

Rated voltage	120 V AC, 60 Hz
Rated power	1200 W
IP rating	IPX1
Net weight	80.3 lbs (36.5 kg)
Dimensions (W x D x H)	23 7/8 x 25 1/8 x 33 7/8" (60.4 x 63.8 x 86 cm)

UNPACKING THE APPLIANCE

⚠ DANGER Risk of suffocation!

Keep any packaging materials away from children and pets – these materials are a potential source of danger, e.g. suffocation.

Do not remove any warning-type labels, the model and serial number label, or the tech sheet that is located on the back of the appliance.

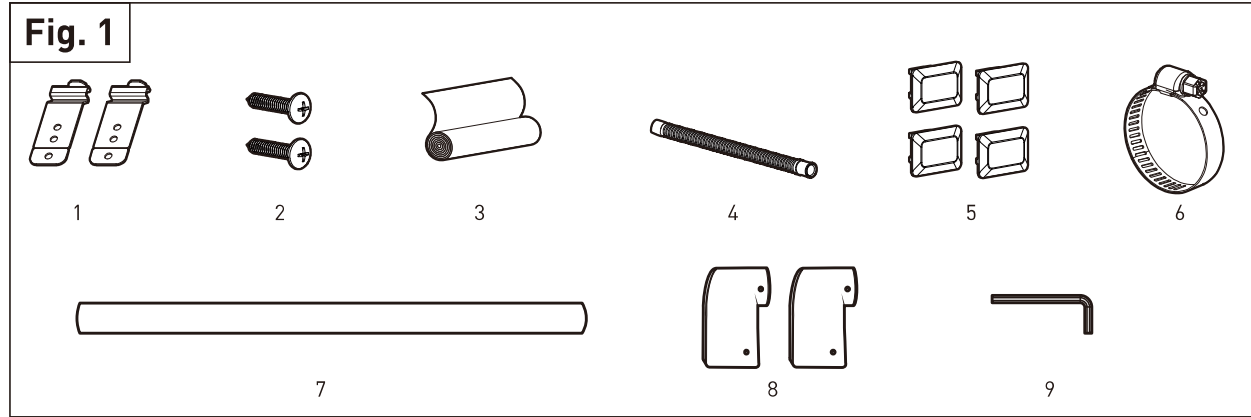
You will need:

- People x 2
- Furniture dolly x 1
- Soft towel/blanket x 1
- Cardboard/plywood at least 30 x 30" (76.2 x 76.2 cm) in size

1. Cut the straps on the packaging.
2. Take off the top cover and then lift the whole cardboard sleeve off.
3. Unpack the appliance parts located on the foam tray on top of the appliance.
4. Take off the foam tray.
5. Remove all packing materials and appliance parts.
6. Check the appliance for transport damages.
7. Review all components (see chapter **2.1 Parts provided**).
8. Wrap the appliance with a soft towel/blanket to prevent any scratches when the appliance comes into contact with the furniture dolly.
9. Stand at the back of the appliance and tilt in towards the furniture dolly.
10. Slide the furniture dolly underneath the appliance to remove the appliance from its packaging base.
11. Place the appliance onto cardboard or plywood to avoid damaging the floor surface.

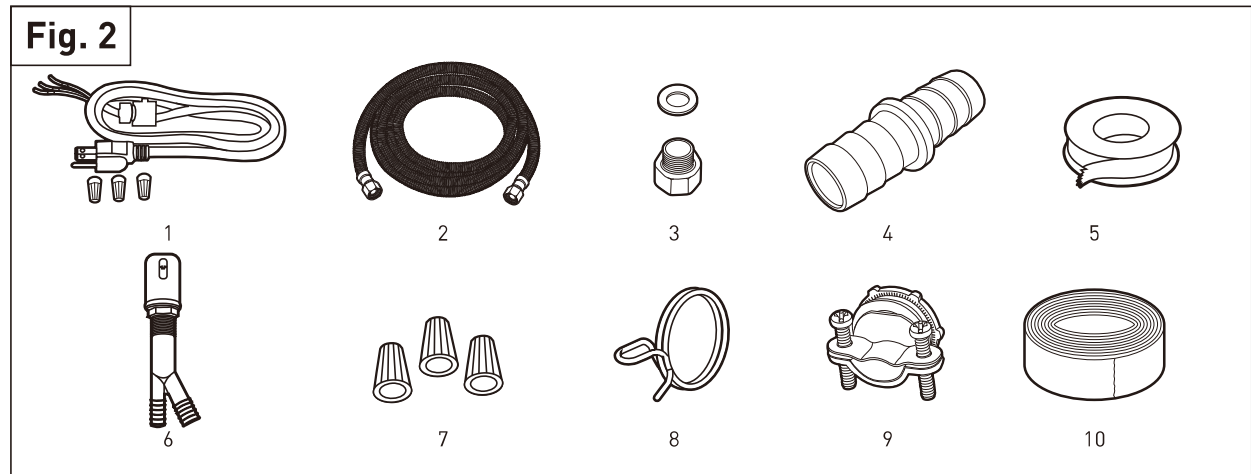
INSTALLATION REQUIREMENTS

2.1 Parts provided



1	Mounting brackets x 2	6	Hose clamp
2	Mounting screws x 2	7	Door handle
3	Moisture barrier	8	End cap x 2
4	Drain hose	9	Hex key
5	Door frame protective covers x 4		

2.2 Materials needed (not included)

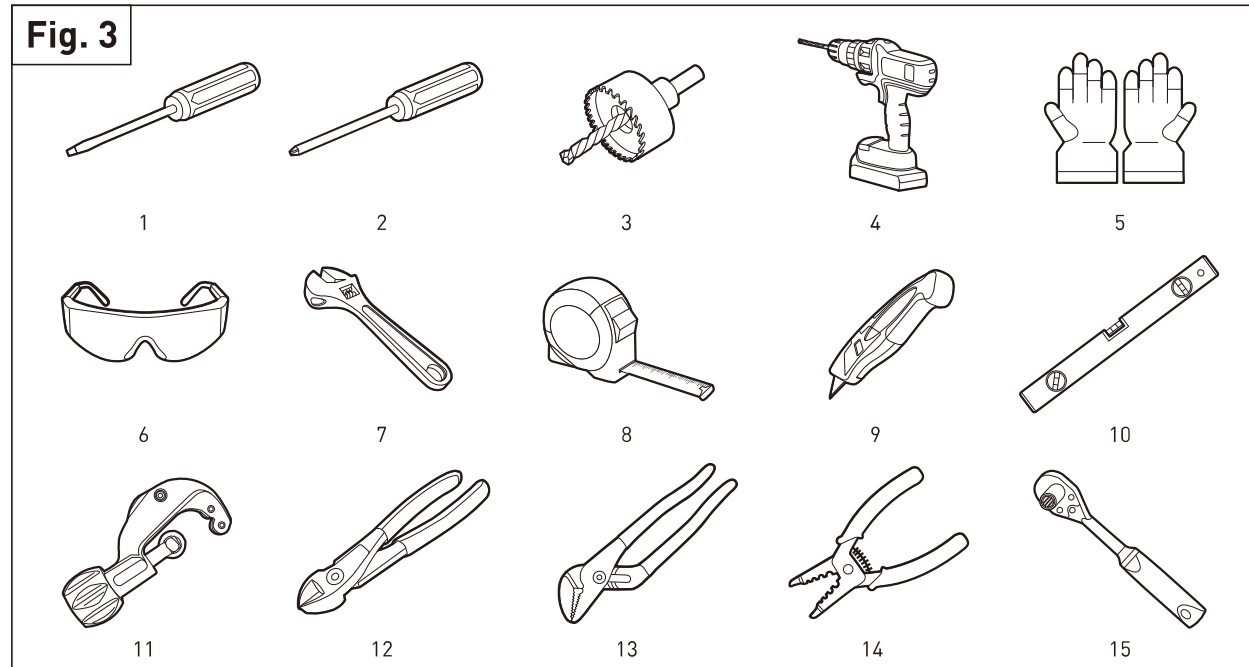


1	3 prong power cord	6	Air gap
2	Dishwasher inlet hose	7	16 AWG wire connectors x 3
3	Water supply tube fittings	8	Hose clamp
4	Drain coupling	9	UL-listed/CSA-certified strain relief (required to properly secure household wiring to the dishwasher terminal box)
5	Plumber's tape	10	Electrical tape

INSTALLATION REQUIREMENTS

2.3 Tools needed

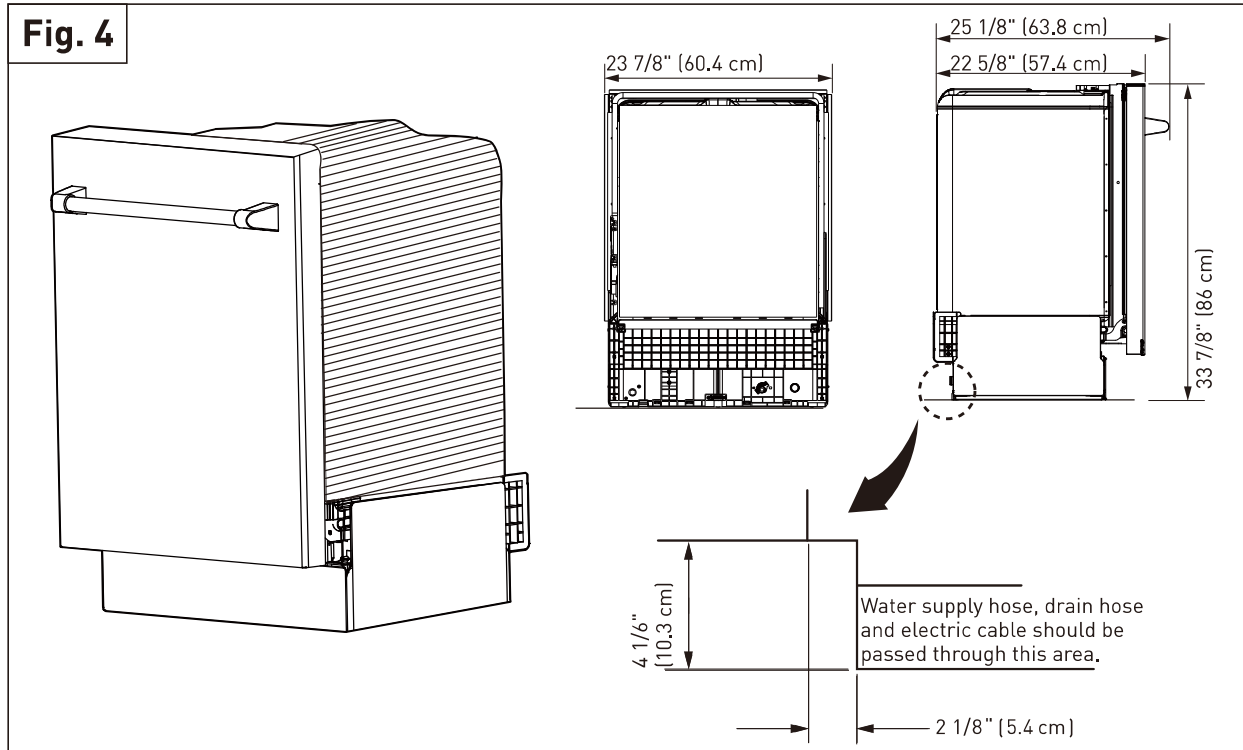
NOTICE For first-time installation, ensure compliance with local codes, evaluate the existing electrical supply, consult the “Electrical Requirements” section and engage a licensed electrical installer for all electrical connections.



1	Slotted screwdriver	9	Utility knife
2	Crosshead screwdriver	10	Spirit level
3	Ø2 1/2" hole saw	11	Tubing cutter
4	Electrical drill	12	Side cutter
5	Protective gloves	13	Pliers
6	Safety glasses	14	Wire stripper
7	Adjustable wrench	15	1/4" square drive wrench
8	Measuring tape		

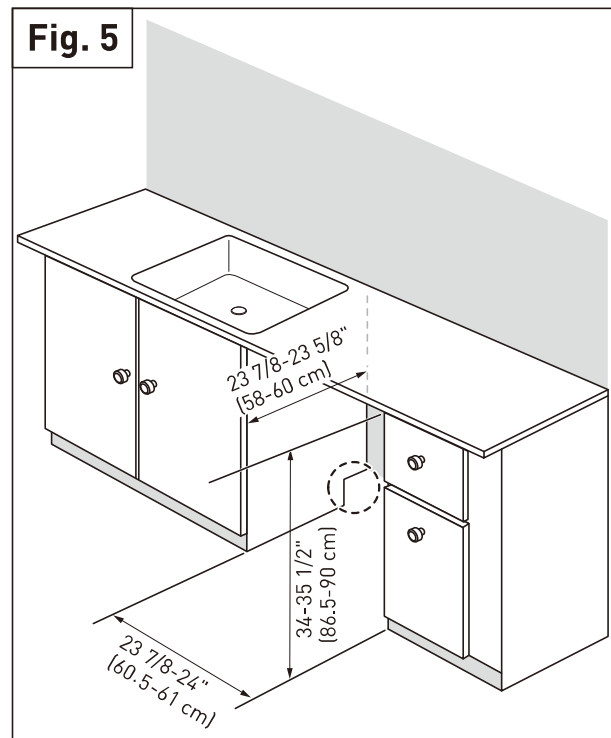
INSTALLATION REQUIREMENTS

2.4 Appliance and cabinet dimensions



2.5 Location and cabinet cutout requirements

- This appliance is designed to fit a cabinet opening of 23 7/8-24 x 22 7/8-23 5/8 x 34-35 1/2" (60.5-61 x 58-60 x 86.5-90 cm) (W x D x H) under a countertop (Fig. 5).
- Observe all local ordinances and governing codes.
- Clean the installation area. Remove any debris or sharp objects that may damage the appliance.



INSTALLATION REQUIREMENTS

- Check for damages in the installation area. Repair the floor, cables or pipes if necessary.
- The floor of the installation area must be able to support a minimum of 88 lbs (40 kg).
- Use a spirit level to check if the floor is even. If the floor is uneven, level it or use shims to correct the unevenness before installation.
- Do not install the appliance over carpet.
- The installation area should allow the door to open at least 90°.
- If installing in a corner location, the minimum clearance between the side of the appliance door and the wall or cabinet is 2" (5 cm)
- The countertop must be properly secured to prevent movement during appliance operation.
- Make sure any adjacent cabinet doors or drawers do not block the appliance door from opening.

2.6 Electrical requirements

⚠ WARNING

- Disconnect electrical power at the fuse box or circuit breaker box before installing dishwasher.
 - All electrical connections and wires must meet the National Electric Code, ANSI/NFPA 70, in addition to all local ordinances and governing codes.
 - Failure to follow these instructions may result in death, fire or electric shock. Improper wiring of the appliance may lead to electric shock. Have the electrical connections and grounding checked by a qualified electrician or service technician if you have any doubt about the proper grounding or wiring of the appliance.
 - Installation, repair and other procedures performed by unqualified persons may cause danger. Before installing the appliance, make sure that the voltage, load and current requirements of the appliance match the power supply in your house.
 - If the electrical wiring or the electric power supply of the house needs alteration, the necessary alterations must be performed by a qualified electrician.
- The appliance must be connected to a 120 V AC, 60 Hz power supply.
 - The power supply must be grounded.
 - The appliance must be connected to a dedicated 15 amp circuit.
 - A time-delay fuse or circuit breaker is required to protect the circuit.
 - Do not connect the appliance to an extension cord or adapter plug. The electrical connections must comply with local and national codes.
 - The electrical wiring should be routed through the bottom channels of the appliance as indicated. The wire must be properly grounded.
 - If this appliance is connected by a power supply cord that is not pre-attached by the manufacturer, ensure that a power supply cord kit marked for use with dishwashers is used.

INSTALLATION REQUIREMENTS

2.7 Water supply requirements

⚠ CAUTION Risk of water damage!

Before completing the installation, make sure there are no leaks.

- All installations must meet local plumbing code requirements.
- The appliance must be located within 10 ft (3 m) of the sink to ensure proper access to the water supply.
- This appliance has a water heating feature and requires a connection to a hot water supply line. Connect to a potable water supply only.
- The water shutoff should be located in an easily accessible area on the side of the appliance.
- The access hole for the water hose through the cabinet must be within an area of 2 1/2 x 4 1/6" (6.35 x 10.3 cm).
- The water pressure of the cold and hot water supply must be between 20-120 psi (1.38-8.27 Bar). Verify the water pressure with a licensed plumber.
- The hot water supply must be between +120 °F (+49 °C) and +149 °F (+65 °C). This range provides optimal washing results and shorter cycle times. The temperature should not exceed +149 °F (+65 °C) to prevent damage to dishes.
- If the water pressure exceeds 120 psi (8.2 Bar), install a pressure limiting device or water impact protector to the water inlet valve.
- Do not install or operate the appliance if the water pressure exceeds 120 psi (8.2 Bar).
- The appliance must be connected to a hot water supply. Use the hose set provided with the appliance. Old hoses should not be reused. When connecting the flexible hose, use sealing tape or compound on pipe threads to avoid leaks, but do not apply them to compression fittings.
- Make sure that the flexible hose is not kinked or bent during installation, as this can cause poor water flow or leaks.
- If there are issues with the water pressure, contact a licensed plumber.

2.8 Drain requirements

- The appliance must be located within 10 ft (3 m) of the sink to ensure proper drainage.
- The access hole for the drain hose through the cabinet must be within an area of 2 1/2 x 4 1/6" (6.35 x 10.3 cm).
- The drain hose must be connected to either:
 - A sink drain with a disposer with the plug removed.
 - An air gap connection, which must meet local code requirements.
- The drain hose must be installed with a minimum loop height of 20" (50.8 cm) to prevent backflow of water from the sink into the appliance.
- Do not exceed a distance of 10 ft (3 m) for the drain hose to ensure proper draining. If an extension is needed, use a coupler with a 7/8" (2.22 cm) outside diameter and secure it with hose clamps.

APPLIANCE INSTALLATION

⚠ WARNING Tip over hazard!

Do not operate the dishwasher until it is fully installed. Avoid leaning on or pressing down on the open door, as this may lead to serious injury or cuts.

⚠ WARNING Risk of injury!

2 people are required to lift and move the appliance throughout the installation process.

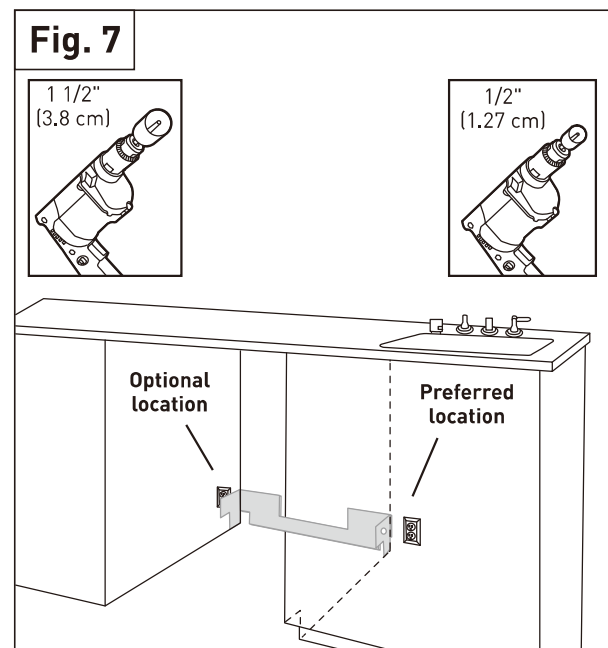
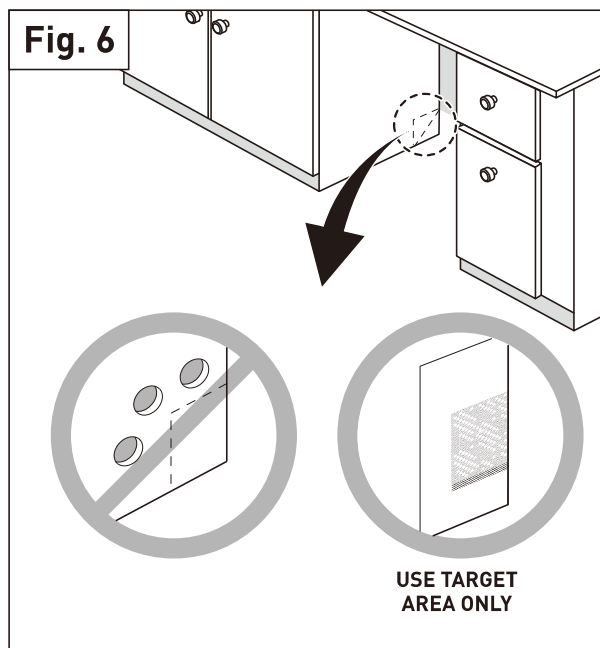
3.1 General preparation

- Disconnect the power at the fuse box or circuit breaker box before starting installation.
- Turn off the water supply.

3.2 Preparing the cabinet opening

NOTICE Do not use an existing hole for the water or drain hose unless it is within the specified dimensions. Using an existing hole may cause the water or drain hose to be kinked or damaged (Fig. 6).

1. Make sure the cabinet opening meets the specified dimensions (Fig. 5).
2. Drill a 2 1/2" (6.35 cm) access hole for the water hose and drain hose in the side or rear of the cabinet (Fig. 6).
3. Drill a 2 1/2" (6.35 cm) hole for the electrical wiring in the side or rear of the cabinet.
4. For wood cabinets, sand the hole until it is smooth. For metal cabinets, add a grommet to the hole.
5. Drill a 1 1/2" (3.8 cm) drain hose hole in the side or rear of cabinet depending on location of drain hose routing and drain hose connection location (Fig. 7).
6. Drill a 1/2" (1.27 cm) water supply hose hole in the side or rear of cabinet, depending on location of water supply routing and connection location (Fig. 7).
7. Drill a 1 1/2" (3.8 cm) electrical conduit hole in the right-hand side or rear of cabinet (Fig. 7).

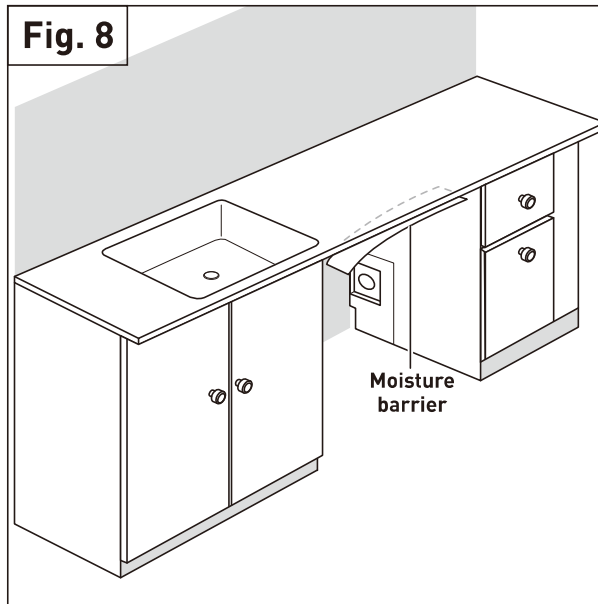


APPLIANCE INSTALLATION

3.3 Installing the moisture barrier

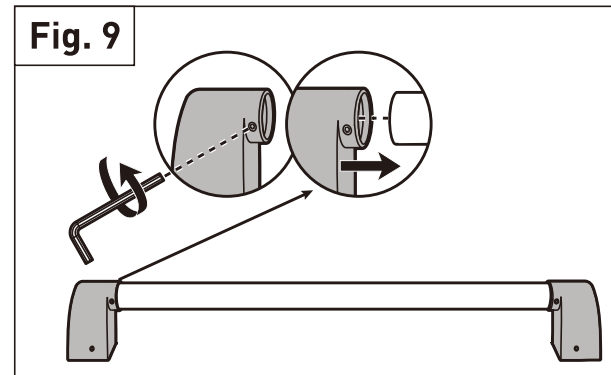
For wood countertops, it is recommended to install the moisture barrier to prevent damage from moisture and steam when opening the door of the appliance. The moisture barrier is not required for countertops made from materials such as granite, stone and marble.

1. Make sure the area underneath the countertop is dry and clean.
2. Peel off the backing of the moisture barrier sheet.
3. Apply the adhesive side of the moisture barrier to the underside of the countertop at the front edge (Fig. 8).

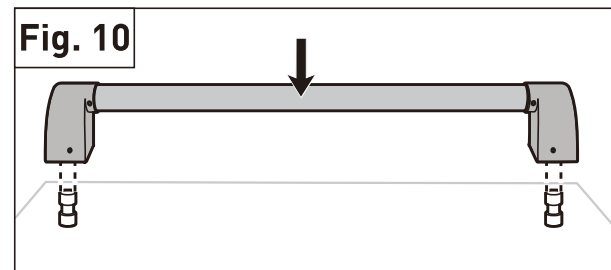


3.4 Install the handle

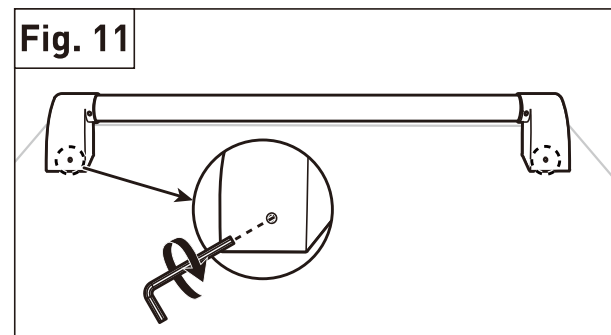
1. Attach end caps(8) to both ends of the door handle (7) (Fig. 9).



2. Place the assembled door handle onto the door pins on the appliance door (Fig. 10).



3. Tighten the pre-installed screws on the end caps (8) with the hex key (9) (Fig.11). Do not overtighten the screws.



APPLIANCE INSTALLATION

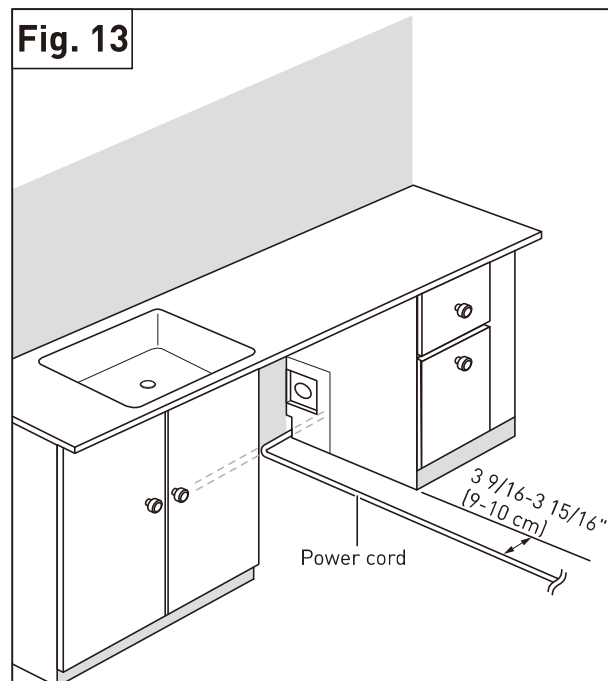
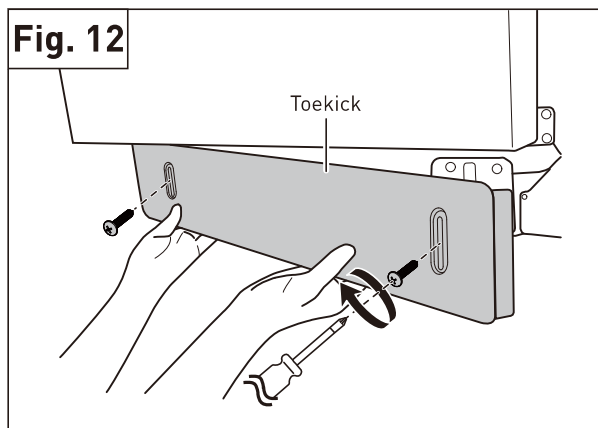
3.5 Removing the toekick

1. Loosen and remove the screws on each side of the toekick (Fig. 12).
2. Pull the toekick away from the appliance.

3.6 Preparing the electrical wiring

NOTICE Do not connect the wires to the appliance at this point in the installation.

1. Route the wires through the access hole of the cabinet.
2. Position the wires $3 \frac{9}{16}$ - $3 \frac{15}{16}$ " (9-10 cm) away from the side of the cabinet (Fig. 13). The electrical wiring must extend beyond the front of the cabinet.
3. Tape the wires to the floor to prevent them from moving when the appliance is moved into the installation area.



3.7 Preparing the water supply line assembly

- NOTICE**
- Before connecting the flexible hose to the water supply valve, flush the main water supply line to remove any particles and air in the water system. Let the water flow until it runs clear. Flushing the water hose can prevent potential clogging of the water valve.
 - Use sealing tape or compound on pipe threads to avoid leaks when connecting to the water supply.
 - Do not use sealing tape or compound on compression fittings.

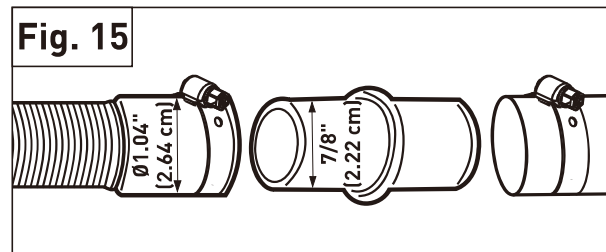
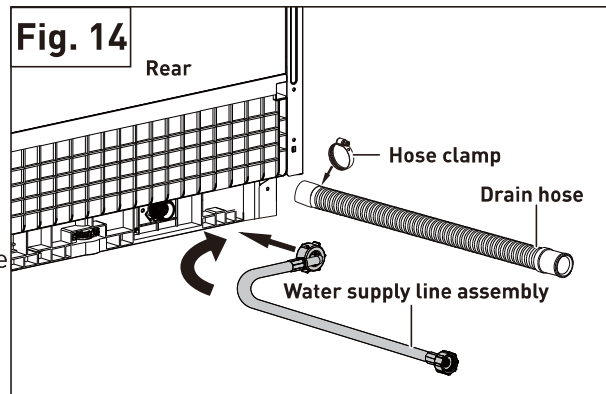
1. Turn the appliance to access the rear.
2. Connect the hose thread side of the elbow fitting onto the water inlet. Make sure the gasket is properly seated.

APPLIANCE INSTALLATION

3. Turn the elbow fitting clockwise by hand until it is tight. Use an adjustable wrench to turn it another 1/4 to 1/2 turn to ensure a secure connection.
4. Route the flexible hose out the rear left side of the appliance. Make sure it is not kinked or bent and make sure there is enough slack to prevent strain on the hose (Fig. 14).

3.8 Preparing the drain hose

1. Slide the hose clamp over the end of the drain hose. Do not tighten the hose clamp.
2. Secure the end of the drain hose onto the drain outlet.
3. Position the hose clamp over the connection where the hose meets the drain outlet.
4. Use pliers to tighten the hose clamp. Do not overtighten it to prevent damage to the hose and the fitting.
5. Route the drain hose out the rear left side of the appliance. Make sure it is not kinked or bent and make sure there is enough slack to prevent strain on the hose.
6. If an extension drain hose is required, use a drain coupling with 7/8" (2.22 cm) outside diameter for connecting the two hose ends with hose clamps (Fig. 15).

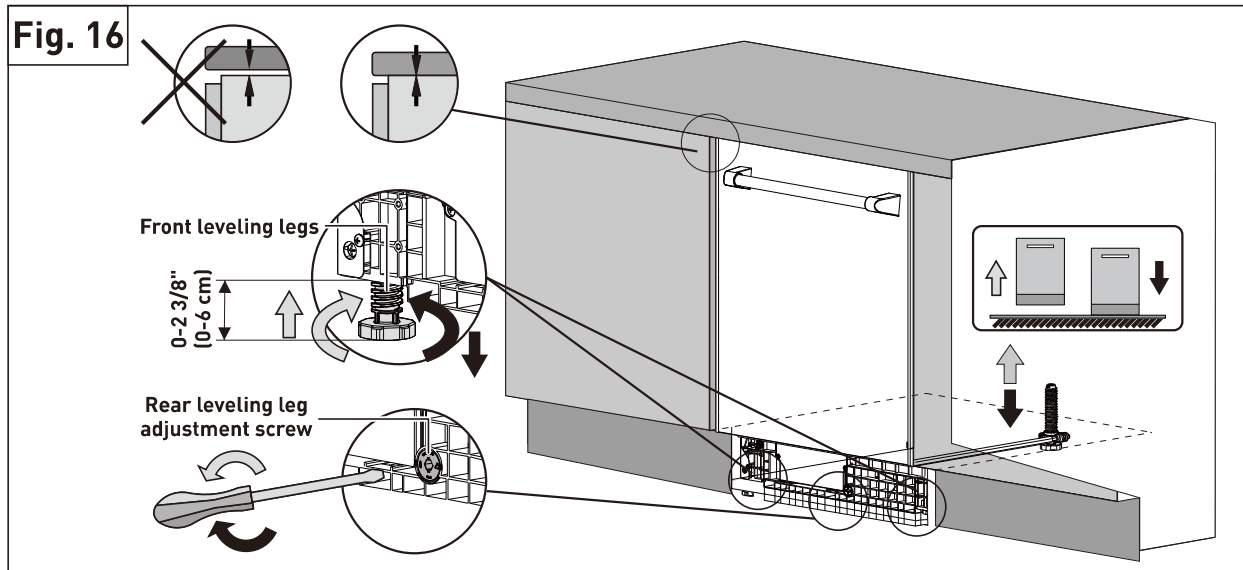


3.9 Leveling and adjusting the appliance

NOTICE The height adjustment range of the leveling legs is 0-2 3/8" (0-6 cm).

1. Turn the appliance to face the front. Adjust the front and rear leveling legs of the appliance to approximately the height of the installation area opening.
2. Adjust the front leveling legs. Lift the appliance to access the front leveling legs. Rotate the adjustment wheel clockwise to lower the front leveling legs. Rotate the adjustment wheel counterclockwise to raise the front leveling legs (Fig. 16).
3. Adjust the rear leveling leg. Use a slotted screwdriver to tighten or loosen the adjustment screw located in the center of the front base. Turn the adjustment screw clockwise to lower the rear leveling leg. Turn the adjustment screw counterclockwise to raise the rear leveling leg (Fig. 16).

APPLIANCE INSTALLATION



3.10 Preparing the appliance for the installation area

- NOTICE**
- Do not kink or pinch the flexible hose, drain hose or electrical wiring.
 - Do not install the toekick at this point in the installation.
 - Do not push the appliance completely into the installation area until the mounting brackets have been installed.

1. Move the appliance close to the installation area.
2. Route the flexible hose, drain hose and electrical wiring through the holes in the cabinet.
3. Pull the slack out of the hoses and electrical wiring while pushing the appliance into the installation area.
4. Leave the appliance around 6" (15.2 cm) out from the installation area before installing the mounting brackets. See chapter **3.11 Installing the mounting brackets**.
5. Adjust the level of the appliance if necessary. See chapter **3.9 Leveling and adjusting the appliance**. Use a spirit level to check that the appliance is level.

3.11 Installing the mounting brackets

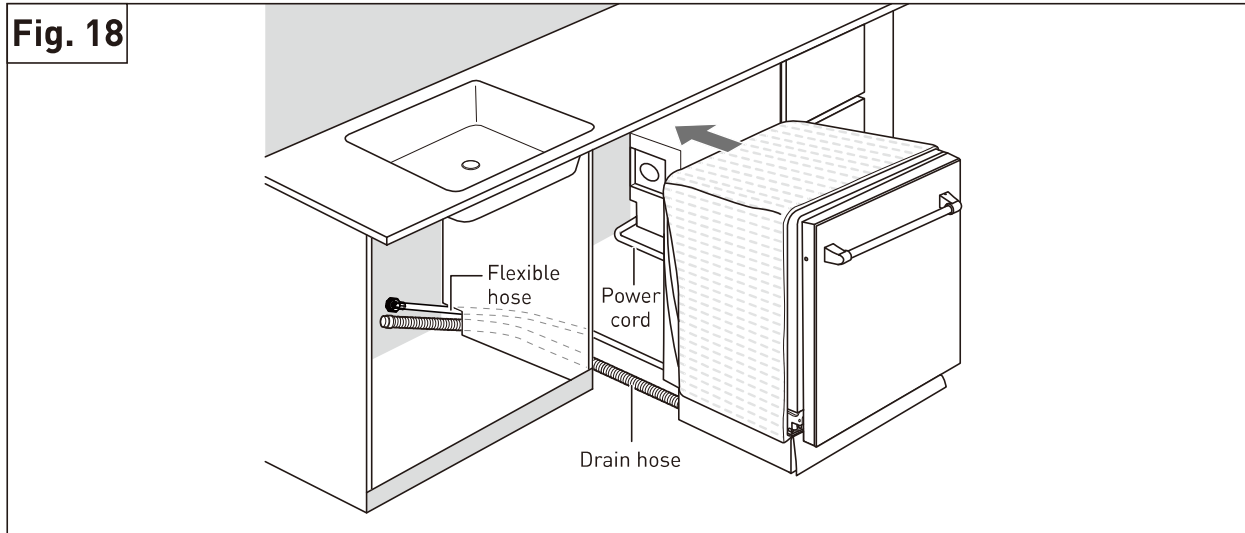
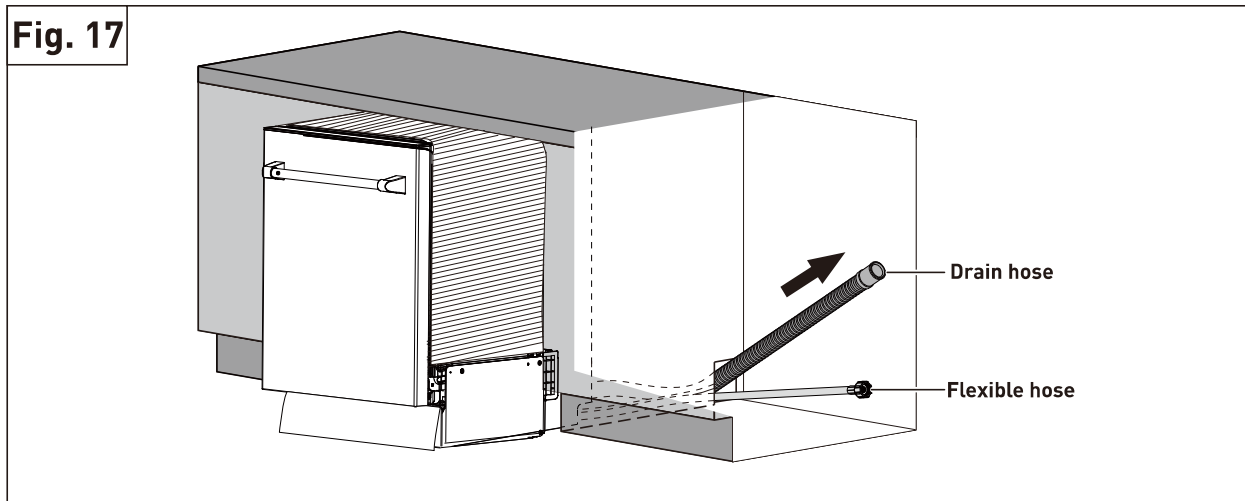
- NOTICE** The mounting brackets are intended to secure the appliance to wood countertops. For granite or marble countertops, see chapter **4.3 Securing the appliance**. Make sure to attach the mounting brackets before sliding the appliance into place.

1. Insert the flat ends of the mounting brackets into the corresponding slots on the appliance frame. The longer side of the bracket should be facing outward.
2. Push the mounting brackets in until they are seated securely in the slots on the appliance frame.
3. Use pliers to gently bend the exposed part of the mounting brackets down to secure them to the appliance tub. This prevents the mounting brackets from loosening when moving the appliance fully into the installation area.

COMPLETING APPLIANCE INSTALLATION

4.1 Checking the positioning of the utility connectors

1. Make sure the water hose and drain hose are not kinked or bent (Fig. 17).
2. Make sure the electrical wiring is positioned properly so it can be routed through the appliance conduit when connecting to electricity (Fig. 18).



4.2 Checking the appliance level

1. Push the appliance fully into the installation area. Make sure the appliance is flush with the adjacent cabinet doors.
2. Open the appliance door to check if the racks slide out on their own and check that all leveling legs are flat against the floor. Adjust the leveling legs as needed. See chapter **3.9 Leveling and adjusting the appliance**.
3. Place a spirit level against the top of the appliance tub. Make sure that the appliance is level from side to side. Adjust the front leveling legs as needed. See chapter **3. Leveling and adjusting the appliance**.
4. Make sure that the top of the door does not touch any screws, mounting brackets or the countertop. If it does, adjust the leveling legs as needed. See chapter **3.8 Leveling and adjusting the appliance**.

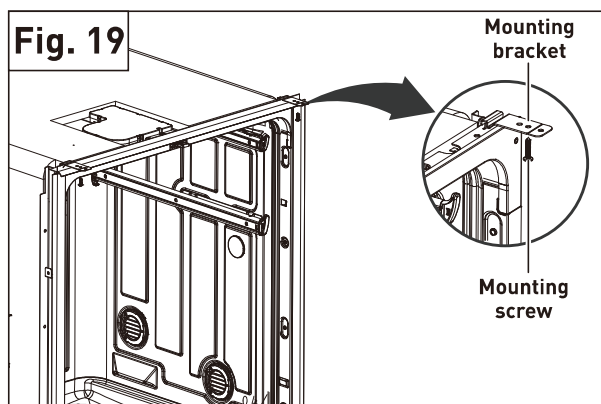
COMPLETING APPLIANCE INSTALLATION

4.3 Anti-tip bracket installation

- NOTICE**
- The appliance must be secured to the countertop to prevent it from shifting when opening or closing the door.
 - Do not drop the mounting screws into the bottom of the appliance tube or into the pump. Use of a magnetic screwdriver is recommended.

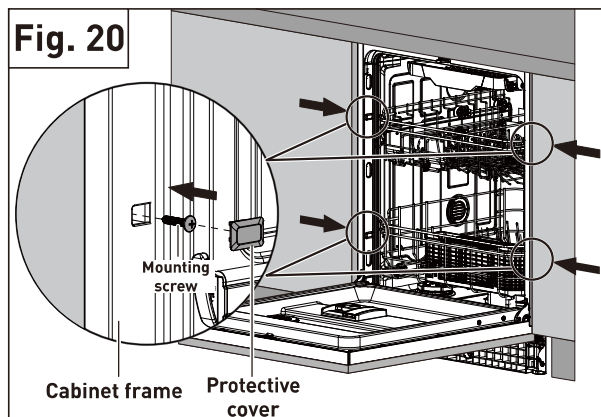
Wood countertop

1. Open the appliance door.
2. Insert and tighten the mounting screws through the mounting brackets to secure the appliance to the countertop (Fig. 19).
3. Make sure that the gaps between the installation area opening and the appliance tub are equal on both sides. If the gaps are not equally spaced, loosen the mounting screws and adjust the appliance position. Tighten the mounting screws once the appliance is in the proper position.
4. Place the protective covers on top of the mounting brackets. Make sure the position of the protective covers is the same as those at the bottom of the appliance tub.



Granite or marble countertop

1. Insert and tighten 1 mounting screw on each side of the appliance frame (Fig. 20).
2. Place the protective covers on top of the screw holes. Make sure the position of the protective covers is the same as those at the bottom of the appliance frame.



4.4 Connecting to the water supply

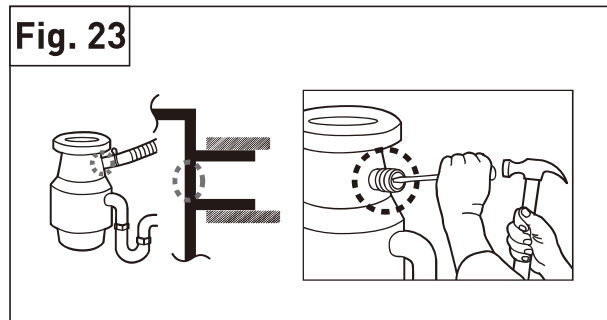
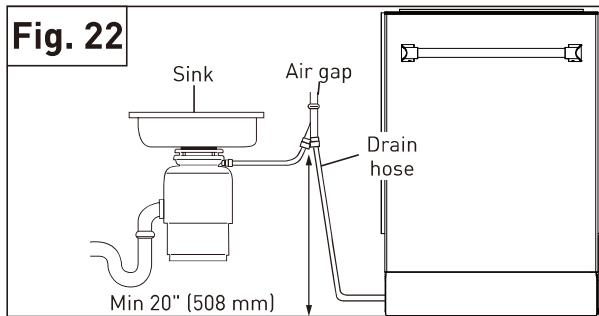
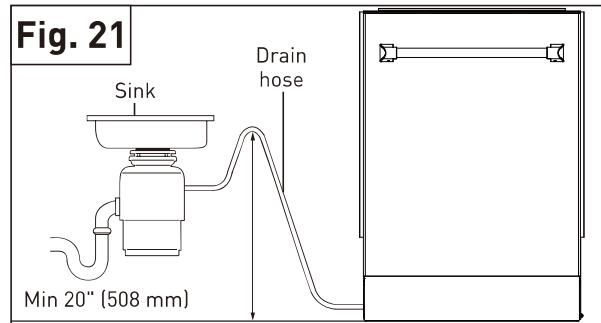
Align and tighten the water hose to the hot water supply using a connection configuration that is in compliance with local codes and ordinances.

4.5 Connecting to the drain

There are a few drainage options depending on the set up of the kitchen (with/without waste disposer/air gap). Refer to the option fitting with the kitchen situation for the installation steps.

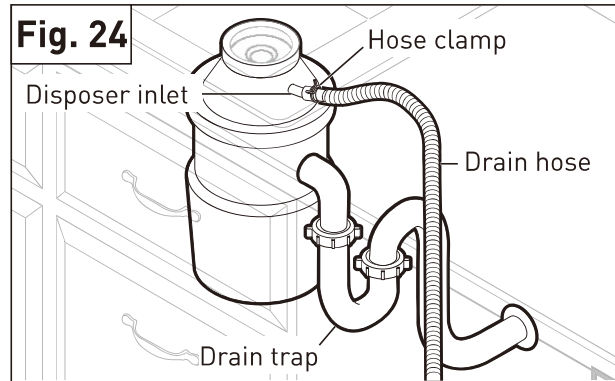
COMPLETING APPLIANCE INSTALLATION

NOTICE For installations with a waste disposer, the drain hose must be installed with a minimum loop height of 20" (50.8 cm) to prevent backflow of water from the sink into the appliance (Fig. 21, 22).



Option A: Waste disposer with no air gap

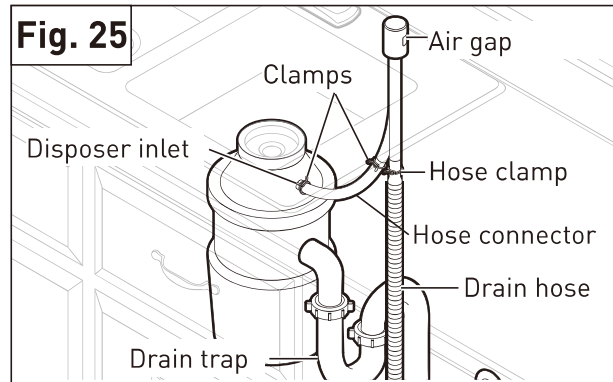
1. Locate and remove the knockout plug inside the waste disposer inlet (Fig. 23).
2. Follow the instructions for the waste disposer manual to remove the knockout plug.
3. Slide a hose clamp onto the drain hose, then push the end of the drain hose onto the waste disposer inlet (Fig. 24).
4. Tighten the hose clamp around the connection using a screwdriver to ensure a secure fit (Fig. 24).
5. Make sure the drain hose is not kinked or bent, as this can restrict water flow.
6. Secure the drain hose onto the sides of the cabinet or wall using zip ties to prevent excess movement and noise.



COMPLETING APPLIANCE INSTALLATION

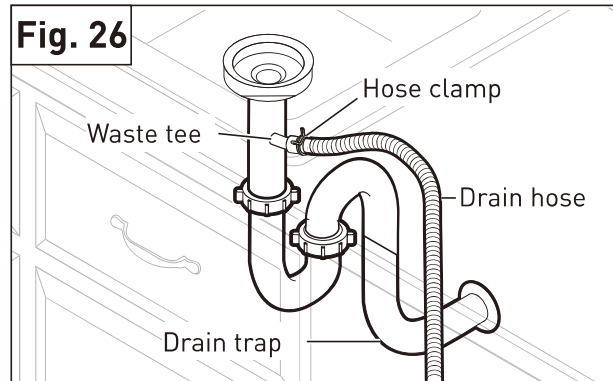
Option B: Waste disposer with air gap

1. Locate and remove the knockout plug inside the waste disposer inlet (Fig. 23).
2. Follow the instructions for the waste disposer manual to remove the knockout plug.
3. Connect rubber end of the hose connector to air gap.
4. Slide a hose clamp onto the drain hose, then push the end of the drain hose onto the air gap (Fig. 25).
5. Connect the hose connector to the disposer inlet (Fig. 25).
6. Tighten clamps around the connections using a screwdriver to ensure a secure fit.
7. Make sure the drain hose is not kinked or bent, as this can restrict water flow.
8. Secure the drain hose onto the sides of the cabinet or wall using zip ties to prevent excess movement and noise.



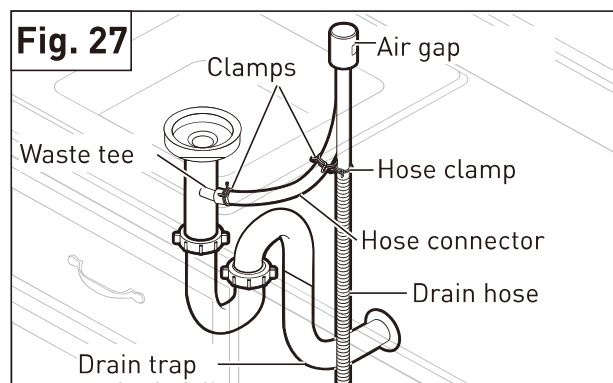
Option C: No waste disposer with no air gap

1. Fit the rubber end of the drain hose to the waste tee.
2. Slide a hose clamp onto the drain hose, then push the end of the drain hose onto the waste disposer inlet (Fig. 26).
3. Tighten the hose clamp around the connection using a screwdriver to ensure a secure fit (Fig. 26).
4. Make sure the drain hose is not kinked or bent, as this can restrict water flow.
5. Secure the drain hose onto the sides of the cabinet or wall using zip ties to prevent excess movement and noise.



Option D: No waste disposer with air gap

1. Connect rubber end of the hose connector to air gap.
2. Slide a hose clamp onto the drain hose, then push the end of the drain hose onto the air gap (Fig. 27).
3. Connect the hose connector to the waste tee (Fig. 27).
4. Tighten clamps around the connections using a screwdriver to ensure a secure fit.
5. Make sure the drain hose is not kinked or bent, as this can restrict water flow.
6. Secure the drain hose onto the sides of the cabinet or wall using zip ties to prevent excess movement and noise.



COMPLETING APPLIANCE INSTALLATION

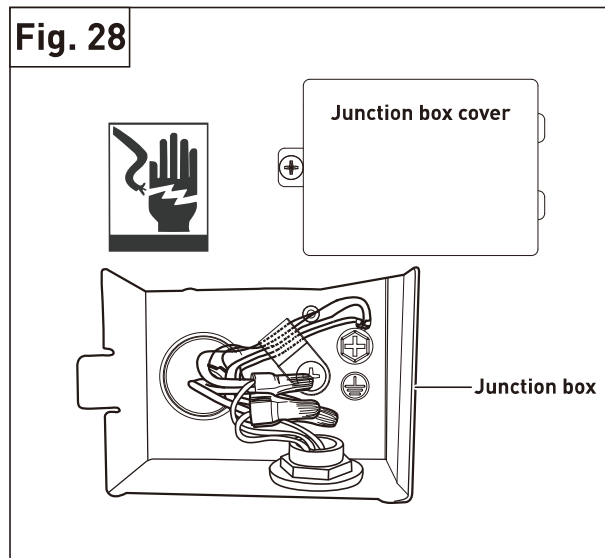
Air gap

1. Locate the air gap opening.
2. Insert the air gap into the opening and secure it with a washer and nut.
3. Slide a hose clamp onto the drain hose, then connect it to the smaller inlet on the air gap.
4. Tighten the hose clamp around the connection using a screwdriver to ensure a secure fit.
5. Slide another hose clamp onto a second hose. This connects the larger outlet on the air gap to the sink drain or waste disposer.
6. Attach the second hose to the waste disposer inlet (if using a disposer) or the sink drain tailpiece (if no disposer is used).
7. Tighten the hose clamp around the waste disposer inlet or sink drain tailpiece to ensure a secure fit.

4.6 Connecting to electricity

- NOTICE**
- This appliance must be operated with the correct voltage as shown in this manual and connected to a dedicated properly grounded branch circuit, protected by a time-delay fuse. Wiring must be 3 wires including ground.
 - If an outlet and a three-prong power cord is used, it should be in an accessible location adjacent to the appliance (not behind it) and within 4 ft (1.2 m) at the side of the appliance. Do not connect any other appliance to the same outlet.
 - The wiring or cord must be grounded properly. If in doubt, have it checked by a qualified electrician.
 - Remove all internal shipping materials, the drain hose, the installation kit, and the handle before laying the dishwasher on its back. Do not remove the protective film from the door.
 - To protect the floor, place cardboard under the dishwasher until it is installed. Use two or more people to grasp the door frame when laying it on its back. Avoid using the door panel as a work surface unless covered with a towel to prevent scratches.

1. Before beginning, switch off the power supply to the appliance at the circuit breaker.
2. Unscrew and remove the cover of the junction box.
3. Route the electrical wiring through the strain relief opening in the junction box (Fig. 28).
4. Clamp a strain relief fitting tightly around the wire to secure it into place. This prevents any tension or strain on the wires when the appliance is moved.
5. Connect the wires according to color:
 - Black (hot) to black wire.
 - White (neutral) to white wire.
 - Green (ground) to green or grounding screw.
6. If wire connectors are necessary, strip the wire ends to expose about 3/4" (1.9 cm) of the copper wire for a clean connection.



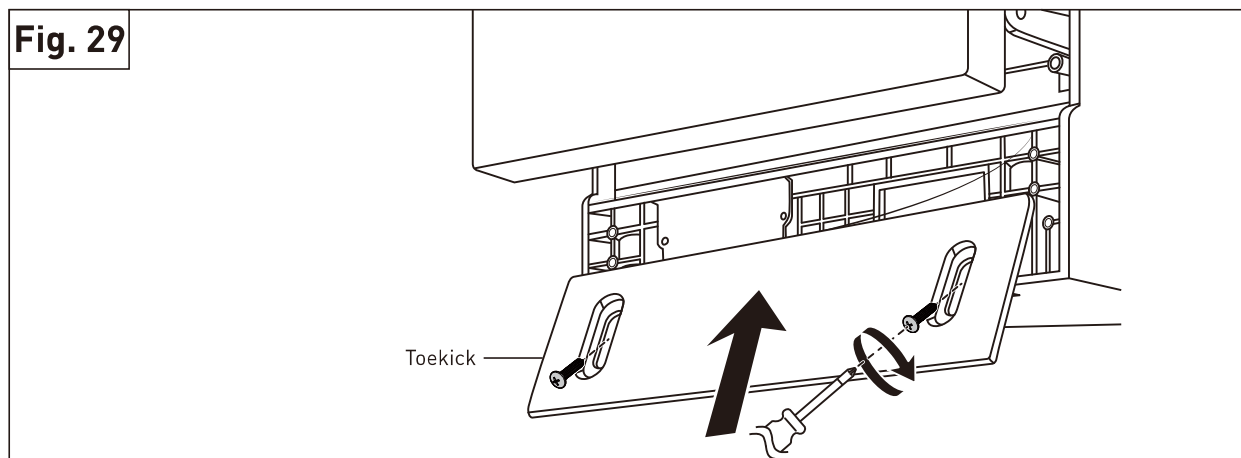
COMPLETING APPLIANCE INSTALLATION

7. Twist the wire ends together by hand, then rotate the wire connectors onto the wires clockwise until they are securely fastened inside the connectors.
8. Wrap each wire connector with electrical tape for insulation and to prevent them from loosening over time. Make sure no copper wire is exposed from the wire connectors.
9. Carefully tuck the wires into the junction box. Make sure the wires are not sharply bent.
10. Reinstall the cover of the junction box.

BEFORE FIRST USE

NOTICE See the **Use & Care manual** for operation instructions.

1. Turn on the water supply.
2. Turn on the circuit breaker.
3. Switch the appliance on.
4. Run the **AUTO** program to make sure the appliance operates correctly. Check for any leaks.
5. After making sure that the appliance operates correctly, Fasten the toekick back into place. (Fig. 29).



REPLACEMENT PARTS

For purchasing replacement parts, ensure compatibility by referencing the appliance model number and serial number, then contact Thor by:

Contact	Phone number	Email
Thor's parts department	877-288-8099 (option 5)	parts@thorinternational.com
Customer service	877-288-8099 (option 3)	service@thorinternational.com



Warranty&Service

This appliance has been manufactured by Thor International, 4651 E Airport Drive, California 91761

For Customer Service, please call (877) 288 - 8099

For the most up to date warranty and service policy, please refer to our website

WWW.THORKITCHEN.COM/WARRANTY-REGISTRATION

For in-warranty service requests, please visit our website at

WWW.THORKITCHEN.COM/SERVICE

Please Note: For any inquiries regarding service or products, please provide the serial number of the item in order to process requests efficiently.

WELCOME TO THE CLUB

You chose THOR Kitchen to enhance your culinary journey and we're stoked to have you in the club. Think of it as a secret society of really savvy people, such as yourself, choosing professional power and performance at an affordable price.



Register your product by following the steps below.

WARRANTY REGISTRATION



01

Scan the QR code or visit thorkitchen.com/warranty



02

Input your product info and select register



03

You're done. Let's get cookin'.

WARRANTY



NEED PARTS?

