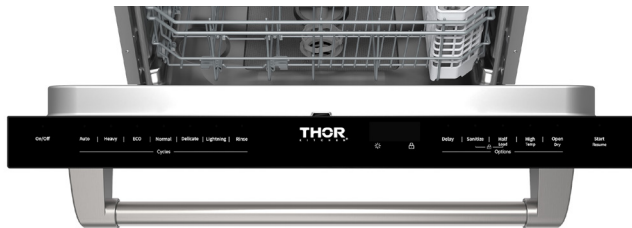




Product: 24 INCH TOP CONTROL BUILT-IN DISHWASHER IN WHITE
Model Number: TDW24C7W

TECHNICAL DETAILS

Watts	1200W
Amperage	15A (Dedicated)
Volts	120V
Frequency	60Hz
Total Annual Energy Consumption	240 kwh/per year
Water Consumption	3.2 gal
Noise Level	47 dBA
Water Feed Pressure	20-120 psi
Inlet Water Temperature	Recommended 120°F (49°C)
Outlet Hose Length (in.)	59"



FEATURES & BENEFITS

- + Open Dry:** Enhances air circulation for effective and even drying, ensuring dishes are dry and free from residual moisture.
- + Height-Adjustable Upper Basket:** The upper basket can be adjusted to different heights, allowing you to create space for larger or taller items in the lower rack.
- + 7 Wash Cycles with 5 Options:** Choose from 7 wash cycles and 5 options to tackle everything from delicate glassware to heavily soiled pots, delivering efficient, customized cleaning for any load.
- + Quiet Operation at 47 dBA:** So quiet you can run it anytime—perfect for open-concept kitchens, entertaining, or mealtime cleanups.
- + Status Indicator Light:** Displays a clear visual indication of the dishwasher's progress, allowing you to easily monitor the current wash cycle without needing to open the door.
- + Wine Glass Bracket:** Designed to securely hold delicate glassware, ensuring wine glasses and other fragile items are spotless and intact after each wash.
- + Third Layer Cutlery Rack:** Maximize space and organization with a dedicated third rack for utensils, knives, and small items—keeping them secure and separate for a thorough, gentle clean.

GENERAL PROPERTIES

Load Capacity (Place Settings)	15
Number of Wash Cycles	7
Spray Arms	3 (Lower, Upper, and Top)
Tub Material	Stainless Steel
Number of Racks	3
Adjustable Rack	Yes
Control Type	Touch Screen
Water Softener	No
Child Lock	Yes
Status Indicator	Yes (Red)
Tub Light	No
Wine Glass Bracket	Yes
Third Layer Cutlery Rack	Yes

Specifications subject to change without notice.



PRODUCT DIMENSIONS

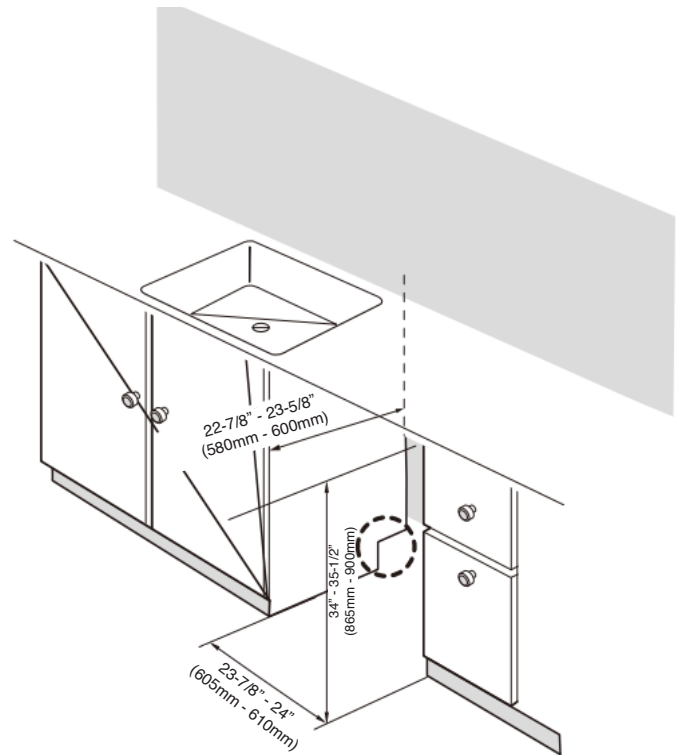
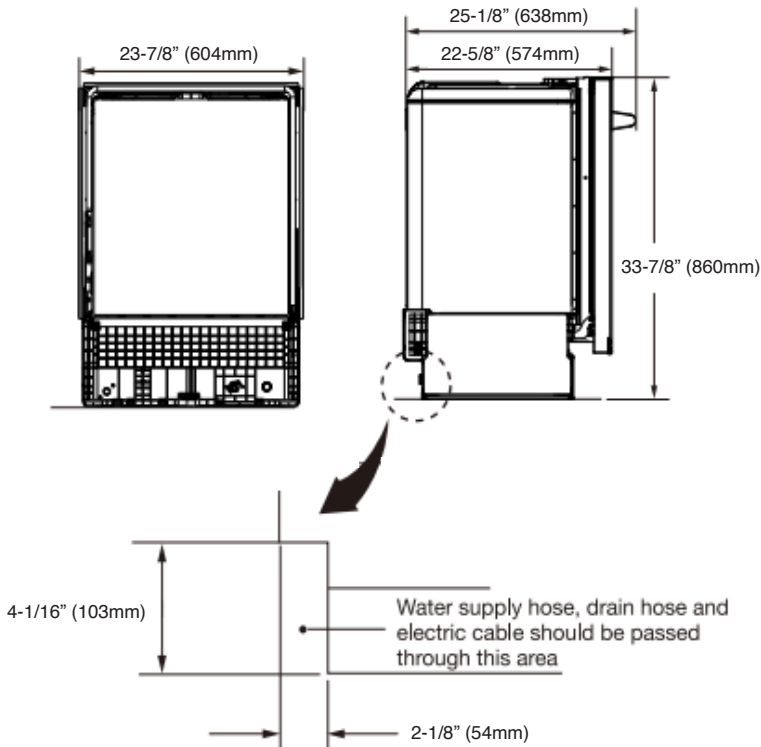
Product Dimensions (WxDxH) (in.)	23-7/8" x 22-5/8" x 33-7/8"
Product Depth with Handles (in.)	25-1/8"
Cutout Dimensions (WxDxH) (in.)	23-7/8" - 24" x 22-7/8" - 23-5/8" x 34" - 35-1/2"
Package Dimensions (WxDxH) (in.)	28-3/4" x 28-3/4" x 35-1/16"
Net Weight (lbs.)	80.5 lbs
Gross Weight (lbs.)	97.8 lbs

ACCESSORIES INCLUDED

Moisture Barrier
Drain Hose
4 Mounting Hole Cover (2 Already Installed)

ACCESSORIES NOT INCLUDED (REQUIRED)

Water Supply Hose
Power Cord



Specifications subject to change without notice.