

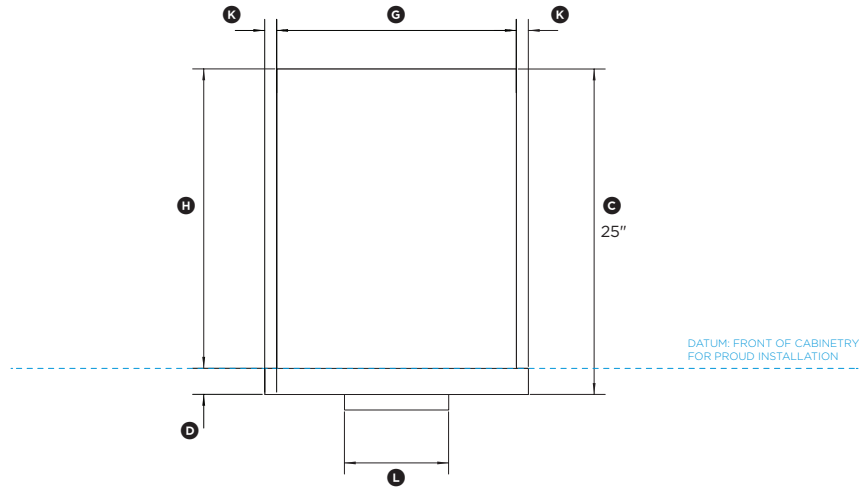
Data sheet

Tower Drawer Triple

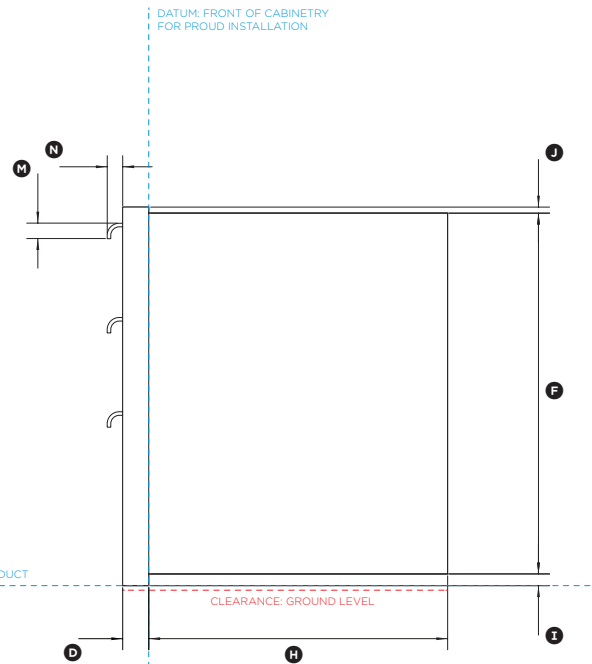
Model no:

TDT1-20

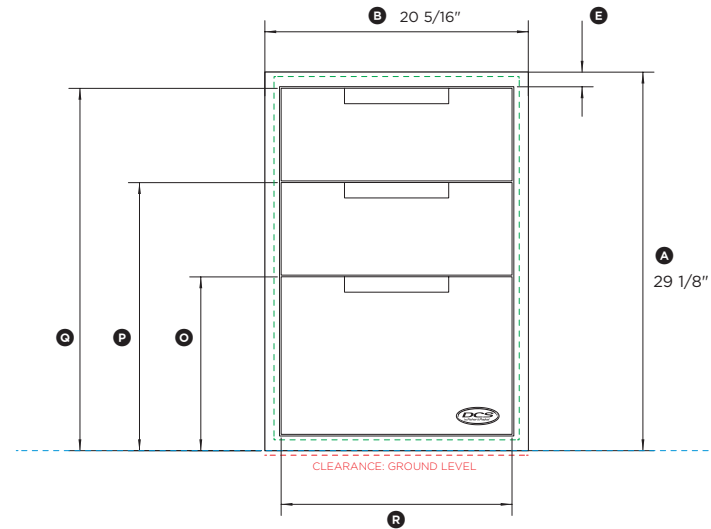
(refer page 2 for metric measurements)



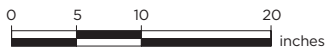
PLAN VIEW



PROFILE VIEW



FRONT VIEW



Product Dimensions	in
Ⓐ Overall height of product	29 1/8"
Ⓑ Overall width of product	20 5/16"
Ⓒ Overall depth of product (excluding handles)	25"
Ⓓ Depth of front frame	2"
Ⓔ Width of front frame	1 1/8"
Ⓕ Height of chassis	29"
Ⓖ Width of chassis	18 1/2"
Ⓙ Depth of chassis	23"
Ⓚ Height of bottom flange	29/32"
Ⓛ Height of top flange	15/32"
Ⓜ Width of side flanges	15/16"
Ⓝ Width of handle	8"
Ⓞ Height of handle	1 3/16"
Ⓟ Depth of handle	1 3/16"
Ⓠ Height of from bottom of product to top of bottom drawer	13 3/8"
Ⓡ Height of from bottom of product to top of middle drawer	20 5/8"
Ⓢ Height of from bottom of product to top of top drawer	27 7/8"
Ⓣ Width of drawer fronts	17 13/16"

Cutout Dimensions	in
Overall width of cutout	18 7/8"
Overall height of cutout	28"

Clearance Dimensions	in
Minimum height from ground to bottom of cutout	1 3/16"

IMPORTANT NOTE: This datasheet shows only the proud installation option. For full installation and clearance details please refer to our installation manual.

INDICATES CABINETRY / PRODUCT DATUM -----
 INDICATES CUTOUT -----
 INDICATES CLEARANCES -----

DATE: 28.08.2015

IMPORTANT NOTE: Throughout this guide, dimensions may vary by ±2mm (3/32"). Please read the installation manual for detailed information on installing the product. www.dcsappliances.com



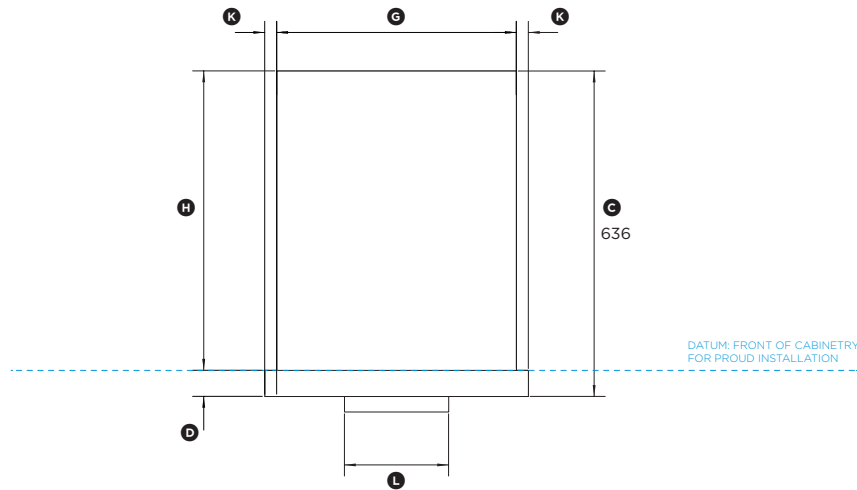
Data sheet

Tower Drawer Triple

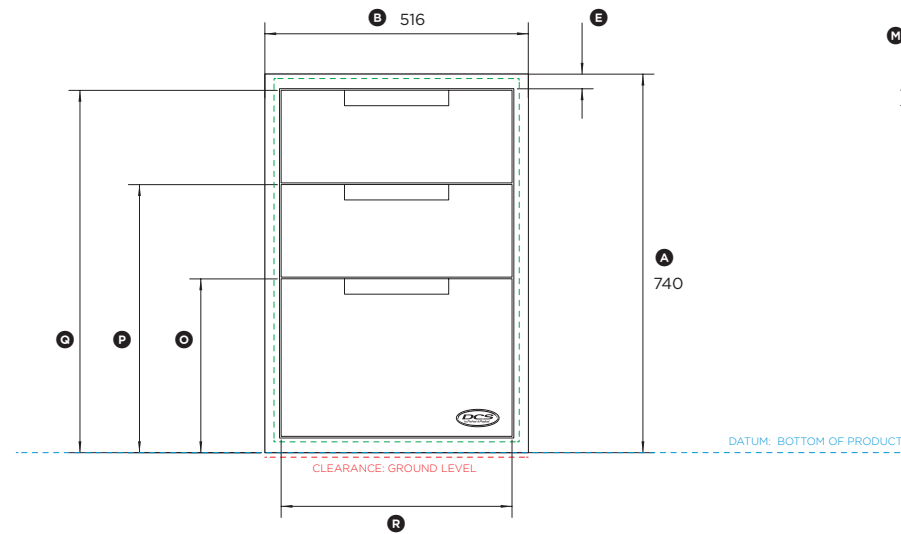
Model no:

TDT1-20

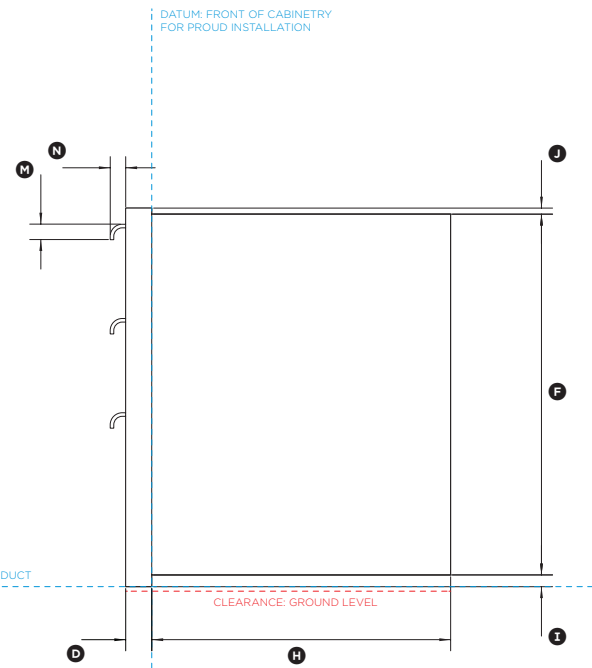
(refer page 1 for imperial measurements)



PLAN VIEW



FRONT VIEW



PROFILE VIEW

Product Dimensions	mm
Ⓐ Overall height of product	740
Ⓑ Overall width of product	516
Ⓒ Overall depth of product (excluding handles)	636
Ⓓ Depth of front frame	51
Ⓔ Width of front frame	28
Ⓕ Height of chassis	705
Ⓖ Width of chassis	469
Ⓖ Depth of chassis	585
Ⓗ Height of bottom flange	23
Ⓗ Height of top flange	12
Ⓙ Width of side flanges	23.5
Ⓚ Width of handle	204
Ⓚ Height of handle	30
Ⓚ Depth of handle	30
Ⓛ Height of from bottom of product to top of bottom drawer	340
Ⓛ Height of from bottom of product to top of middle drawer	524
Ⓛ Height of from bottom of product to top of top drawer	708
Ⓛ Width of drawer fronts	452

Cutout Dimensions	mm
Overall width of cutout	480
Overall height of cutout	710

Clearance Dimensions	mm
Minimum height from ground to bottom of cutout	30

IMPORTANT NOTE: This datasheet shows only the proud installation option. For full installation and clearance details please refer to our installation manual.

INDICATES CABINETRY / PRODUCT DATUM -----
 INDICATES CUTOUT -----
 INDICATES CLEARANCES -----

DATE: 28.08.2015

IMPORTANT NOTE: Throughout this guide, dimensions may vary by ±2mm (3/32"). Please read the installation manual for detailed information on installing the product. www.dcsappliances.com

