

# Operating Instructions

## Tumble dryer

Save these instructions for future reference

*Dear Customer,*

*Thank you for choosing this quality product from ASKO.*

*We hope it will meet your expectations and fulfill your needs for many years to come. Scandinavian design combines clean lines, everyday functionality, and high quality. These are key characteristics of all our products and the reason they are greatly appreciated throughout the world.*

*To ensure that you get the most out of your new machine, we recommend that you read the operating instructions before using the machine. The operating instructions also contain information on how to avoid damaging the environment.*

800-570-3355

**ASKO T794FI**

 **ASKO**

# Contents

<b>Before using your machine for the first time</b>	3	<b>Care and maintenance instructions</b>	17
Language selection	3	Cleaning the lint filter	17
<b>Important safety instructions</b>	4	Cleaning the outside of the machine	17
Grounding instructions	5	<b>Troubleshooting</b>	18
Packing material	5	The machine will not start	18
Disposal	5	The machine loses all power during a program	18
<b>Child safety</b>	6	Drying takes too long	18
General	6	Error messages	18
Child safety catch	6	<b>Technical information</b>	19
To deactivate Child-safe Start temporarily:	6	Technical data	19
<b>Description of the tumble dryer</b>	7	<b>Service and guarantee</b>	20
<b>Advice and tips before you tumble dry</b>	8	<b>Installation instructions</b>	22
Materials that can be tumble dried	8	Positioning the tumble dryer	22
Materials that should not be tumble dried	8	Adjusting the feet	24
Static electricity	8	Built-in	24
<b>Operating instructions</b>	9	Air exhaust	25
Sort your fabrics	9	Electrical installation	28
Select the program	10	<b>Reversing the door</b>	31
Selecting Options	13	<b>Fitting the wooden door</b>	34
Press the Start button	14	<b>Quick guide</b>	36
Drying program finished	14		
<b>Settings</b>	15		
You can alter the following settings:	15		
How to choose the settings:	15		
Clock	15		
Buzzer Volume	15		
Language	15		
Child-safe Start	16		
Back	16		

# Before using your machine for the first time

Do you need this Use&Care Guide in Spanish? Log on to [www.askousa.com/customer-care](http://www.askousa.com/customer-care) to download.  
¿Necesita esta Instrucciones de uso y cuidado en español? Entre en [www.askousa.com/customer-care](http://www.askousa.com/customer-care) y descárguesela.

## Language selection

You will be prompted to select the display language when you have connected your machine and start it for the first time. Do as follows:

1. Press the up or down arrow button and choose from: US english, English, Svenska, Dansk, Norsk, Suomea, Français, Deutsch, Italiano, Espanol, Русский, Nederlands.
2. Press Start or Stop to save and continue to the clock and time display settings.

## Laundry labels

Certain materials are not suitable for tumble drying. Always check and follow the instructions on each item's laundry label. You can find more information in the "Advice and tips before you tumble dry" chapter.

### NOTE!

When starting the tumble dryer for the first time or after a long period without use, you may hear a slight thumping noise. This noise is completely normal and will disappear after a few loads.

# Important safety instructions



SAVE THESE INSTRUCTIONS FOR FUTURE REFERENCE

## WARNING!



WARNING - To reduce the risk of fire, electric shock, or injury to persons when using your appliance, follow basic precautions, including the following:

- Read all instructions before using the appliance.
  - Do not wash or dry articles that have been previously cleaned in, washed in, soaked in, or spotted with gasoline, dry-cleaning solvents, cooking oils, other flammable or explosive substances as they give off vapors that could ignite or explode.
  - Do not allow children to play on or in the appliance. Children should be closely supervised when near the appliance.
  - Before the appliance is removed from service or discarded, remove the door to the drying compartment.
  - Do not reach into the appliance if the drum is moving.
  - Do not install or store this appliance where it will be exposed to the weather.
  - Do not tamper with controls.
  - Do not attempt to repair or replace any part of the appliance or perform any servicing unless specifically recommended in this guide.
  - Do not use fabric softeners or dryer sheets unless the manufacturer gives written assurance that the product will not damage a tumble dryer.
  - Do not heat dry items containing vinyl, plastic, foam rubber or similarly textured rubberlike materials, fiberglass, or wool unless the label specifies "washable".
- Clean the lint filter before or after each load.
  - Keep the area around the exhaust opening and adjacent surrounding areas free from the accumulation of lint, dust and dirt.
  - The interior of the machine should be cleaned periodically by an authorized ASKO service agent.
  - Do not place items exposed to cooking oils in your dryer. Items contaminated with cooking oils may contribute to a chemical reaction that could cause a load to catch fire.
  - Electrical installation, if required, must be done by a licensed electrician.
  - Do not operate appliance while away from the home.
  - Do not heat dry items that have been dry-cleaned.
  - The dryer is made and marked to facilitate recycling. When it is no longer useful, contact your local refuse collection service for advice on how to properly dispose of the dryer for purposes of recycling.
  - Damaged power cables should only be replaced by a certified professional.
  - Provide sufficient ventilation, otherwise smoke from open fires or fumes from equipment burning other fuels can be drawn into the room.

## CAUTION!

During the program, the back of the dryer will get very hot. Let the machine cool completely before touching the back.

## WARNING!



This appliance must be properly grounded.

# Important safety instructions



## Grounding instructions

### A) Grounding instructions for a grounded, cord-connected appliance

In the event of malfunction or breakdown, grounding will reduce the risk of electric shock by providing a path of least resistance for electric current. This appliance (Canadian market only) is equipped with a cord having an equipment-grounding conductor and a grounding plug. The plug must be plugged into an appropriate outlet that is properly installed and grounded in accordance with all local codes and ordinances.

#### **WARNING!**



Improper connection of the equipment-grounding conductor can result in a risk of electric shock. Check with a qualified electrician or service representative or personnel if you are in doubt as to whether the appliance is properly grounded. Do not modify the plug provided with the appliance (Canadian market only). If it will not fit the outlet, have a proper outlet installed by a qualified electrician.

To reduce the risk of fire, this appliance must be exhausted outdoors or the equivalent. Do not exhaust into a chimney, wall, ceiling or concealed space in a building.

### B) Grounding instructions for a permanently connected appliance:

This appliance must be connected to a grounded metal, permanent wiring system, or an equipment-grounding conductor must be run with the circuit conductors and connected to the equipment-grounding terminal or lead on the appliance.

#### **NOTE!**

This manual does not cover every possible condition and situation that may occur. Use common sense and caution when installing, operating, and maintaining any appliance.

## Installation

See the "Installation instructions" chapter.

## Packing material

Please sort waste materials in accordance with local guidelines.

## Disposal

This machine is manufactured and labeled for recycling. In order to prevent personal injury, the machine must be made inoperable after deciding to take it out of service. Contact your municipality for information about where and how your machine can be recycled correctly.

# Child safety

## General

### WARNING!



#### **Do not allow children to play with the tumble dryer.**

- If the door is opened when a program is running, the garments may be very hot, with a risk of burn injuries.
- The tumble dryer does not start automatically when the door is closed (if a child pulls the door shut from the inside, for example).

## Child safety catch

By activating the Child-safe Start function, you can prevent children from starting the tumble dryer or changing the current program.

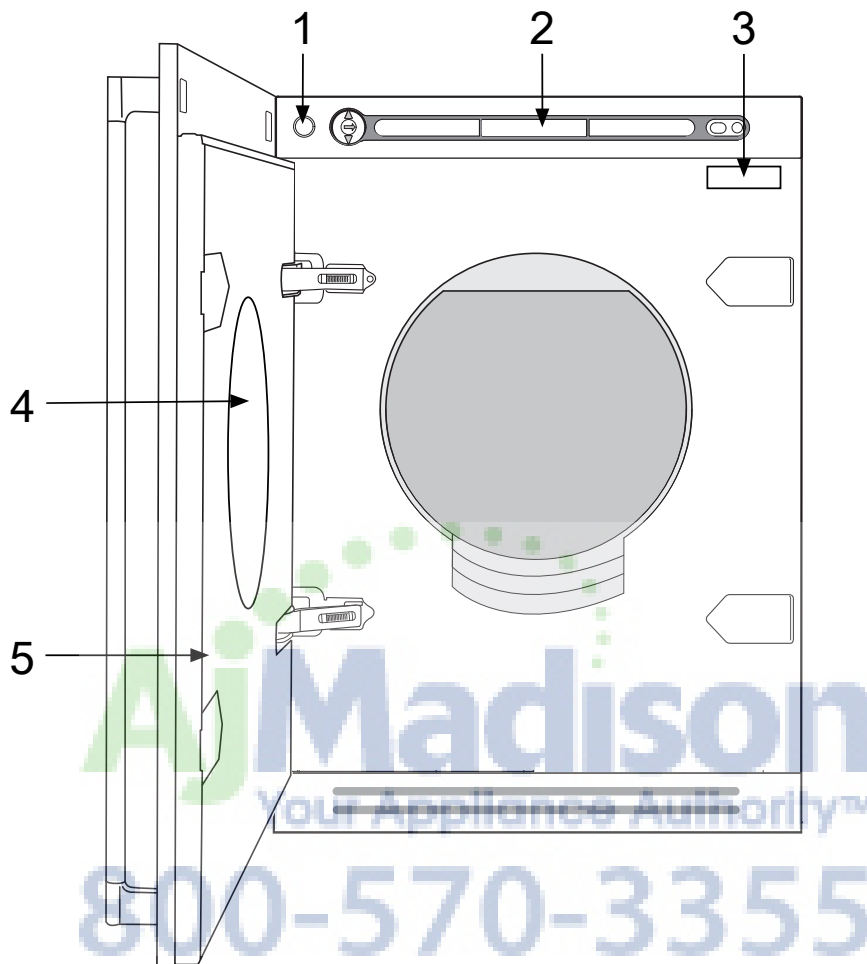
1. Press the up or down arrow button in the program selector until Settings is highlighted in the display window.
2. Press the program selector (the big arrow in the middle).
3. Press the up or down arrow button in the program selector until Child-safe is highlighted in the display window.
4. Press the program selector again (the big arrow) to access the options menu on the right of the display.
5. Press the up or down arrow button to select On or Off.
6. Press the program selector (the big arrow) to activate

#### **To deactivate Child-safe Start temporarily:**

Simultaneously press the program selector and the Start button to deactivate Child-safe Start for three minutes.

**AjMadison**  
Your Appliances Authority  
800-570-3355

# Description of the tumble dryer



- |    |                                    |    |             |
|----|------------------------------------|----|-------------|
| 1. | Main power switch                  | 4. | Lint filter |
| 2. | Panel                              | 5. | Outer door  |
| 3. | Serial number tag and rating plate |    |             |

# Advice and tips before you tumble dry

Here are some tips that may help you before you begin tumble drying.

## Have the clothes been spun?

Items to be tumble dried should be spun at 1000 rpm or faster. Higher spin speeds save energy and reduce drying time.

## Materials that can be tumble dried

This symbol means that the material is suitable for tumble drying. Fabrics best suited to tumble drying are cotton fabrics, terry cloth, and synthetic fibers. Garments will be softer and lighter when tumbled than when hung out to dry.

### NOTE!

The tumble dryer does not cause any significant wear on fabrics. The lint trapped in the lint filter consists of dust and fiber residues formed when the items are used.

## Materials that should not be tumble dried

This symbol means that the material is not suitable for tumble drying. Certain materials may melt or become a fire hazard if exposed to heat and others can lose their shape or shrink.

## And do not tumble dry

- materials labeled "Do not dry near heat".
- garments that have been dry-cleaned at home.
- plastic foam.
- fiberglass material.
- wool must not be tumble dried due to the risk of piling.

## Static electricity

To reduce the risk of static electricity in the laundry after tumble drying, you can:

- Use fabric softener when washing.
- Wait five minutes after the drying program ends before opening the door and removing the laundry from the dryer.

### NOTE!

You can stop the tumble dryer by pressing the Stop button for three seconds or by opening the door. In both cases the program is stopped and starts from the beginning if restarted.

If you do not want to restart the program, immediately remove all laundry and spread it out to allow the heat to dissipate.

# Operating instructions

## WARNING!



To reduce the risk of electric shock or injury to persons, read the "Important Safety Instructions" section before operating this appliance.

Below are step-by-step instructions to help you achieve the best possible tumble drying results.

### **1 Sort your fabrics**

You will achieve the most uniform drying results if the items are made of the same type of material. Close zippers and fasten buttons or belts; sort the items and adjust load and temperature.

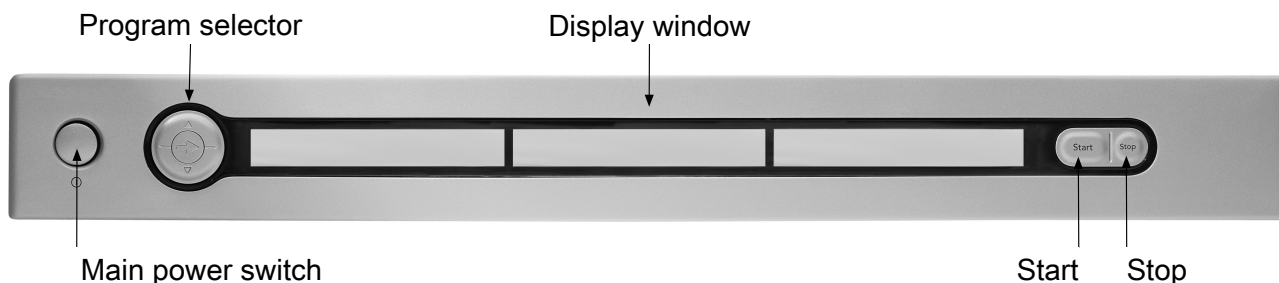
### **2 Press the main power switch until the display lights.**

### **3 Open the door, load the items, and then close the door**



# Operating instructions

## 4 Select the program



Select a program by pressing the up or down arrow button. The name of the selected program and the program time are shown in the display window. Press the button in the middle of the program selector if you want to select any options.

### Guidelines as to what specific programs can be used for:

#### Auto Heavy

This program is for items that are particularly difficult to dry.

#### NOTE!

Knitted fabrics in particular are prone to shrinkage. Use the Auto Heavy, Auto Delicate, or Auto Iron Dry programs for these items. Stretch clothes back into shape immediately after drying.

#### Auto Normal and Auto Delicate

These programs end automatically when the load is dry. The Auto Normal program gives slightly drier laundry than Auto Delicate.

#### Auto Iron Dry

This program shuts off the heat once the load is just damp enough for ironing or pressing.

#### Jeans

Program for jeans and clothing with very thick seams. Delayed Start can be selected as an option.

#### Synthetic

Gentle program for synthetics. Delayed Start can be selected as an option.

#### Terry cloth


Program intended for large and small loads of thick terry cloth, such as towels and bathrobes.

#### Down

Gentle program that dries down items completely. Can be used to dry up to three pillows or one quilt.

#### Timed Dry

The most suitable program time depends on what you intend to do with the items after tumble drying them. Use trial and error to find out what works best. When you use Timed Dry to tumble dry a load of mixed fabrics, some of the garments may remain damp. Tumble dry any damp garments for a further 30 minutes or so using the Timed Dry program.

Select the program time by pressing the program selector until the  symbol is highlighted. Press the up or down arrow button to set the desired program time.


#### NOTE!

When using the Timed Dry program with a program time that is too long, the garments can become "over-dry". This can cause items to shrink or wrinkle and feel rough to the touch. Synthetic materials can also become charged with static electricity.

# Operating instructions

## Air Fluff

Use the Air Fluff program when you just want to refresh, air out, or soften up items.

Select the program time by pressing the program selector until the  symbol is highlighted. Press the up or down arrow button to set the desired program time.

Depending on whether you have set the clock to 12h display, 24h display, or remaining program time display, the start time will be displayed as the actual time or the remaining time. To change the setting, see the "Settings" chapter.



# Operating instructions

## Program chart

Here we present the energy and time consumption of a few different programs. The table shows the effect of using different spin speeds when washing the load. Consumption can vary depending on room temperature, humidity, load, variations in the power supply, and selected options.

For the consumption values given below, the requirements are as follows:

Temperature of intake air:	73 °F (23 °C)
Moisture content of intake air:	55 %
Drying temperature:	Normal
Heater output:	3000W, 15A

Program	Material	Load	Spin speed (rpm)	Energy consumption, approx. (kWh)	Program time, approx. (min)
Auto Heavy	Cotton, linen	1/1	800 rpm	4.0	1:40
			1000 rpm	3.8	1:35
			1400 rpm	3.3	1:25
			1600 rpm	3.1	1:20
Auto Normal	Cotton, linen	1/1	800 rpm	3.9	1:30
			1000 rpm	3.6	1:25
			1400 rpm	3.1	1:15
			1600 rpm	2.9	1:10
	Wrinkle-resistant, polyester/cotton	1/2	1000 rpm	1.8	0:50
Auto Delicate	Cotton, linen	1/1	800 rpm	3.8	1:25
			1000 rpm <sup>1)</sup>	3.51	1:20
			1400 rpm	2.8	1:10
			1600 rpm	2.5	1:00
	Wrinkle-resistant, polyester/cotton	1/2	1000 rpm <sup>1)</sup>	1.30	0:35
Auto Iron Dry	Cotton, linen	1/1	800 rpm	3.7	1:35
			1000 rpm <sup>1)</sup>	3.03	1:25
			1400 rpm	2.4	1:05
			1600 rpm	2.0	0:50

1) Test program in accordance with EN61121:2005. During testing, the tumble dryer must be set to 16A and Time Saver must be activated. After washing, the load must be spun at 1000 rpm.

# Operating instructions

## 5 Selecting Options

By selecting options, you can tailor a drying program to suit your requirements. The available options depend on the selected program. Once you have started the program, the options you selected are saved for the next time you use the same program. The exception is Delayed Start, which is not saved for the next time.

### Temperature Low

1. Select Temperature Low by pressing the program selector (the big arrow) until Temperature Low is highlighted.
2. Press the up or down arrow button until Temperature Low is displayed.
3. Press the Start button to start the program or press the program selector to select more options.

### Time saver

You can select Time saver with all programs except Air Fluff . The program is shortened by about 12 minutes.

1. Press the program selector (the big arrow) until Time saver is highlighted.
2. Press the up or down arrow button until Time saver is displayed.
3. Press the Start button to start the program or press the program selector to select more options.

### Anti Wrinkle

This is a useful feature if you cannot take the laundry out as soon as the tumble dryer has finished. The function prevents the clothes from remaining in the same position and becoming wrinkled. The drum will rotate for three seconds per minute for two hours once the drying program has finished

1. Select Anti Wrinkle by pressing the program selector (the big arrow) until Anti Wrinkle is highlighted.
2. Press the up or down arrow button until Off or On is displayed.
3. Press the Start button to start the program or press the program selector to select more options.

### Delayed Start

Choose the time you want the program to start. This option cannot be selected with the Timed Dry or Air Fluff program.

1. Press the program selector (the big arrow) until Delayed Start is displayed.
2. Press the up or down arrow button to set the start time for the program.
3. Press the Start button to activate the program or press the program selector to select more options.

Depending on whether you have set the clock to 12h display, 24h display, or remaining program time display, the start time will be displayed as the actual time or the remaining time. To change the setting, see the "Settings" chapter.

# Operating instructions

## 6 Press the Start button

Close the outer door to start the tumble dryer.

You can stop the tumble dryer by pressing the Stop button or by opening the door. In both cases the program is stopped and starts from the beginning if restarted.

### NOTE!

The program will not be affected if you change the program selector after the program has started.

## 7 Drying program finished

The text "End" appears on the display when the program is finished. If the Anti Wrinkle option has been selected, the drum will rotate for three seconds every minute for two hours after the program is finished.

### Backlighting

Two minutes after the drying program finishes the backlighting on the display and option buttons enters energy saving mode.

### NOTE!

- Clean the lint filter in the outer door after each load. See the "Care and maintenance instructions" chapter.

### WARNING!



If the lint filter becomes clogged, the machine's automatic overheating cut-out may be triggered. Clean the filter, wait until the machine has cooled, then try starting it. If it still does not start: Call the Customer Care Center.

### Once drying has finished

Turn off the main power switch. Remove the clothes and close the door to prevent small children from climbing into the machine.

# Settings

## You can alter the following settings:

- Clock
- Buzzer Volume
- Language
- Child-safe Start
- Back

## How to choose the settings:

1. Press the up or down arrow button in the program selector until Settings is highlighted in the display window.
2. Press the program selector (the big arrow in the middle).
3. Press the up or down arrow button in the program selector until the setting you want to change is highlighted in the display window.

## Clock

Set to 12h display, 24h display, or remaining time display. If you select 12h or 24h, the start and end times will be shown as actual times.

1. Press the program selector again (the big arrow) to access the options menu on the right of the display.
2. Use the up and down arrow buttons to choose whether 12h, 24h, or remaining program time is displayed.
3. Press the program selector (the big arrow) to save your setting.
4. Once you have selected the 12 or 24 hour clock, you will automatically enter the clock setting menu.

### Setting the clock

5. Press the up arrow button until the correct hour is shown.
6. Press the program selector (the big arrow) to save your setting.
7. Press the up arrow button until the correct minutes are shown.
8. Press the program selector (the big arrow) to save your setting.
9. If you do not want to select any more settings, press the arrow button down until you reach the program you want.

## Buzzer Volume

You can choose to have the machine notify you when a program has finished or when a fault has occurred.

1. Press the program selector again (the big arrow) to access the options menu on the right of the display.
2. Select the setting for the Buzzer Volume by pressing the up or down arrow button: Off, Low, Normal, High.
3. Press the program selector (the big arrow) to save your setting.

## Language

You can choose the language you prefer.

1. Press the program selector again (the big arrow) to access the options menu on the right of the display.
2. Press the up or down arrow button and choose from: US english, English, Svenska, Dansk, Norsk, Suomea, Français, Deutsch, Italiano, Español, Русский, Nederlands.
3. Press the program selector (the big arrow) to save your setting.

# Settings

## Child-safe Start

You can activate the Child-safe option to prevent children from starting the machine. Pressing the program selector (the big arrow) and the Start button at the same time for three seconds will temporarily disable the Child-safe option for three minutes.

1. Press the program selector again (the big arrow) to access the options menu on the right of the display.
2. Press the up or down arrow button until Off or On is displayed.
3. Press the program selector (the big arrow) to activate

## Back

Press the program selector or Start again to return to the program menu.

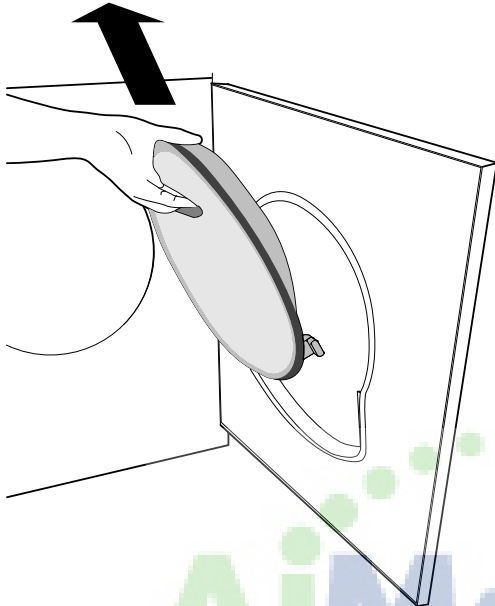


# Care and maintenance instructions

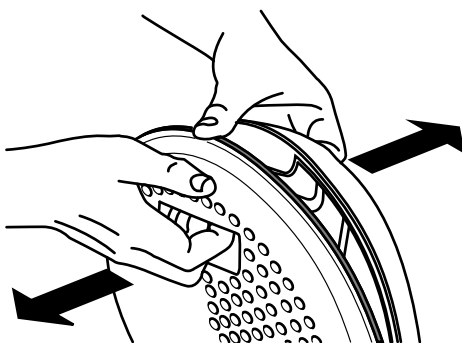
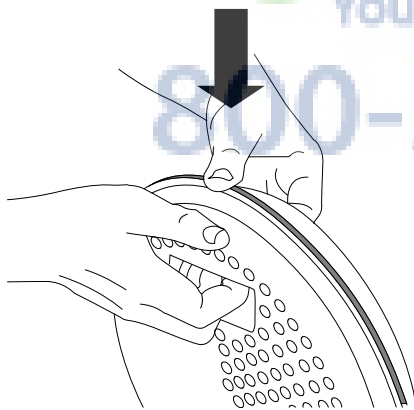
## Cleaning the lint filter

The lint filter must be cleaned after each load.

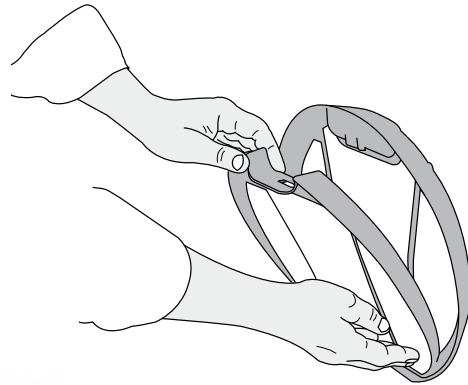
1. Lift the filter from the holder in the door.



2. Open the lint filter. Use your thumb to press on the edge as illustrated and pull it out.



3. Use your hand or a soft cloth to remove the lint from all sides of the filter. If necessary, use a damp sponge and a small amount of washing-up liquid to remove any deposits. Dry the filter thoroughly with a towel.



4. Close the lint filter and put it back in the door. Close the lint filter before closing the door.

## Cleaning the outside of the machine

Clean the outside of the machine and the program panel with a mild cleaner. Do not use solvents, as these can damage the machine. Do not hose down or spray the machine with water.

### NOTE!

Do not allow dust to accumulate around the machine. Keep the area around the tumble dryer clean and cool; dust, heat, and moisture prolong drying times.

# Troubleshooting

## The machine will not start

Check

- that the door is properly closed.
- that the main power switch is on.
- that the Delayed Start option has not been selected. To cancel Delayed Start, press the Stop button for three seconds.
- that any plug is connected.
- that the house fuses have not been tripped.
- that the overheating cut-out has not been triggered.

## The machine loses all power during a program

The overheating cut-off shuts off the tumble dryer if the temperature is too high, caused by lint clogging the lint filter, for instance.

- Clean the lint filter.
- Wait until the machine has cooled, then try starting it. If it still does not start: Call the Customer Care Center.

## Drying takes too long

- Check that the lint filter is not blocked. See the "Care and maintenance instructions" chapter.

## Error messages

- Read "Drying takes too long" in this chapter if "Max Program Time" appears on the display.
- If "Clean Lint Filter " appears on the display, clean the lint filter.
- Press the Stop button to close any error messages.



# Technical information

## Technical data

Height:	33 1/2" (850 mm)
Width:	23 1/2" (597 mm)
Depth:	23 7/8" (606mm)
Weight:	95 lb (43 kg)
Cylinder volume:	29.6 gal (112 l)
Max. drying capacity:	15 lb (7 kg)
Speed:	50-55 rpm
Rated power:	See serial number tag and rating plate.
Drum material:	Stainless steel
Outer casing material:	Powder-coated and hot-galvanized sheet steel or stainless steel.
Setup	Stacking or freestanding



# Service and guarantee

It is important to register your product warranty by logging onto "<http://www.askousa.com/customer-care/register-my-appliance/>" and filling out all required fields within 90 days from the date of purchase. After doing so, you will be e-mailed a certificate that will extend the original warranty for one additional year. If you do not have access to the internet, complete the warranty card included with the product and mail it to the address on the warranty card within 90 days from the date of purchase. Cosmetic damage must be reported to your dealer within five days from the date of purchase. After unpacking the washer, thoroughly check the unit for cosmetic damage.

<b>For residential installations only</b>	<b>ASKO Appliances Inc. will pay for:</b>
Length of warranty Two-Year Full From date of purchase.	ASKO replacement parts and/or repair labor to correct defect in materials or workmanship. Service must be provided by an authorized ASKO service agent.
Third Year Full Complete your product warranty registration online at " <a href="http://www.askousa.com/customer-care/register-my-appliance/">http://www.askousa.com/customer-care/register-my-appliance/</a> " within 90 days from the date of purchase to extend the original warranty one additional year. If you do not have access to the internet, complete the warranty card included with the product and mail it to the address on the warranty card within 90 days from the date of purchase.	ASKO replacement parts and/or repair labor to correct defect in materials or workmanship. Service must be performed by an authorized ASKO service agent.
Lifetime	ASKO replacement parts (labor cost not included) for the stainless steel tank if it exhibits a manufacturing defect such as cracking or rusting through. Service must be provided by an authorized ASKO service agent.
<b>For non-residential installations One-year Full Warranty</b> From date of purchase.	ASKO replacement parts and/or repair labor to correct defect in materials or workmanship. Service must be provided by an authorized ASKO service agent.

# Service and guarantee

## Warranty

### **ASKO Appliances Inc. will not pay for:**

- Service calls to:
  1. Correct the installation of the appliance.
  2. Repair damage due to shipment, delivery, installation, misuse or abuse.
  3. Instruct how to use the appliance.
  4. Replace house fuses or correct house wiring.
  5. Correct house plumbing, including drainage problems related to improper installation.
  6. Clean or service air device in drain line.
- Repair and/or replacement parts for failure of product if appliance is used for other than home/residential use.
- Damage resulting from accident, fire, floods, acts of God, alteration, misuse, abuse, improper installation, or installation not in accordance with local electrical or plumbing codes.
- Any shipping costs for parts during the limited warranty period.
- Replacement parts or repair labor costs for units operated outside the continental United States.
- Pickup and delivery. ASKO products are designed to be repaired in the home.

### **In no event shall ASKO Appliances Inc. be responsible for any incidental or consequential damages.**

Some states will not allow the exclusion or limitation of incidental or consequential damages, so this exclusion or limitation may not apply to you. This warranty gives you specific legal rights and you may also have other rights which vary from state to state.

### **For warranty service, contact our Customer Care Center at the number listed below.**

Before calling for service or contacting ASKO Appliances Inc. regarding a warranty issue, make a note of the model, type name, and serial number.

## How to contact ASKO Appliances Inc.

### **Write to us at:**

ASKO Appliances Inc.  
P.O. Box 940609  
Plano, TX 75094-0609  
[www.askousa.com](http://www.askousa.com)

### **Or contact our**

Customer Care Center at  
1-800-898-1879  
[www.askousa.com](http://www.askousa.com)



# Installation instructions

## WARNING!



WARNING - Risk of fire.

Install the clothes dryer according to the manufacturer's instructions and local codes.

Do not install a clothes dryer with flexible plastic venting materials. If flexible metal (foil type) duct is installed, it must be of a specific type identified by the appliance manufacturer as suitable for use with clothes dryers. Flexible venting materials are known to collapse, be easily crushed, and trap lint. These conditions will obstruct clothes dryer airflow and increase the risk of fire.

To reduce the risk of severe injury or death, follow all installation instructions.

SAVE THESE INSTRUCTIONS FOR FUTURE REFERENCE.

## Positioning the tumble dryer

The tumble dryer can be freestanding or stacked. Remember that the tumble dryer produces heat and should therefore not be located in a room that is too small. If the room is very small, drying will take longer due to the limited quantity of air.

## WARNING!



- Clothes dryer installation must be performed by a qualified installer.
- For proper ventilation, the machine should not be installed behind a door.
- The tumble dryer's toe kick ventilation must not be blocked by a rug or the like.

## NOTE!

If the unit must be installed behind a door should be louvered. To improve ventilation, the door where the tumble dryer is located should be left open when the dryer is in use.

## Freestanding

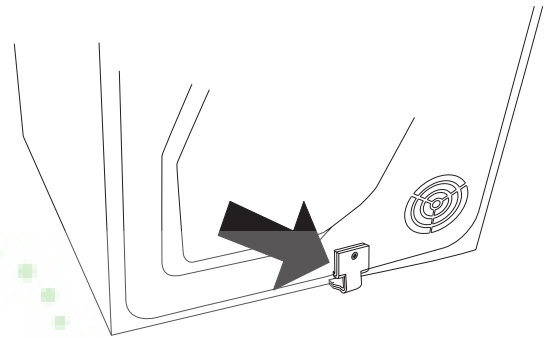
The tumble dryer can be positioned beside the washing machine.

## Stacking

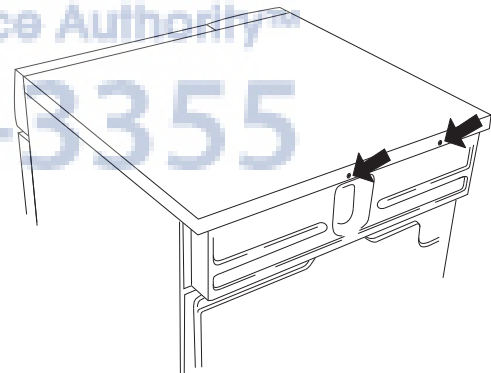
The tumble dryer can be placed on top of a ASKO washing machine. Use the two foot cups found in the document bag included with the machine and the two tip guards attached to the bottom left corner of the back of the machine.

## How to assemble the stacking kit:

1. Undo the anti-tip device.

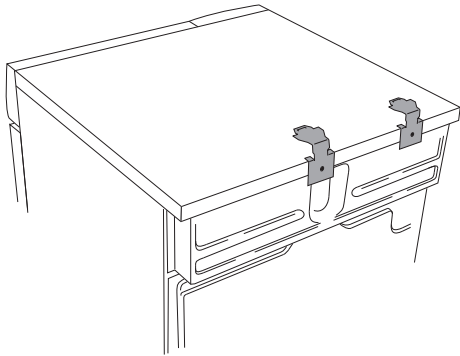


2. Remove the two screws indicated on the back of the washing machine.

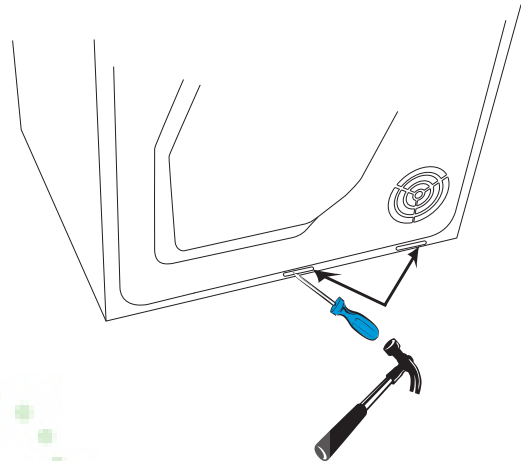


# Installation instructions

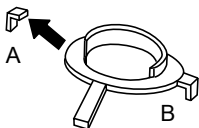
3. Secure the anti-tip device using the screws as shown in the picture.



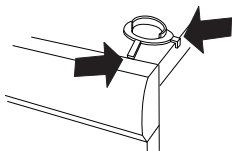
6. Push out the knock-out hole on the back of the tumble dryer (you don't have to completely remove the knockout, just fold it up far enough for the stacking bracket to fit inside the slot) using a hammer and a screwdriver.



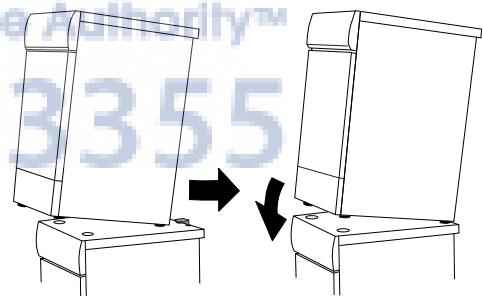
4. Attach the plastic cups for mounting the tumble dryer's front feet to the washing machine's top cover. This is essential, as only when the tumble dryer's feet are resting in the plastic cups can you be sure that the tumble dryer is correctly positioned on the washing machine. Break off tab A on the cup fitted on the right side and tab B on the cup fitted on the left side. Then remove the paper from the self-adhesive surface under the plastic cups.



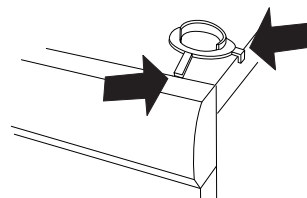
5. Fit the plastic cups so that the "tags" marked with arrows are against the front edge or side edge of the cover and press them firmly onto the cover. Then break off the remaining tabs.



7. Push the tumble dryer in under the metal brackets. While doing this, keep the front edge raised by 0,4" (10 mm) to 0,8" (20 mm).



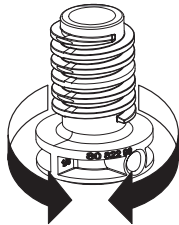
8. Lower the tumble dryer's front feet into the plastic cups and adjust the tumble dryer to ensure it is level.



# Installation instructions

## Adjusting the feet

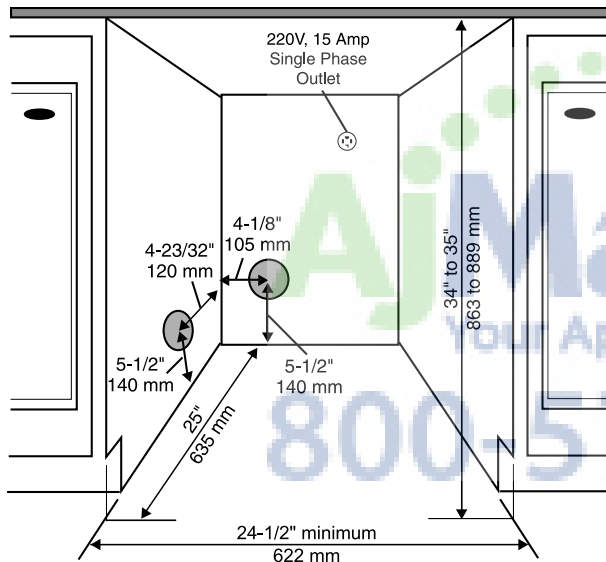
Screw the feet in or out so that the tumble dryer is both stable and level.



## NOTE!

The height adjustment for the dryer is 33-1/2" to 34-1/2" (850 mm to 876 mm). Do not raise it higher than 34-1/2" (876 mm). Hole measurements are from center of hole.

## Built-in

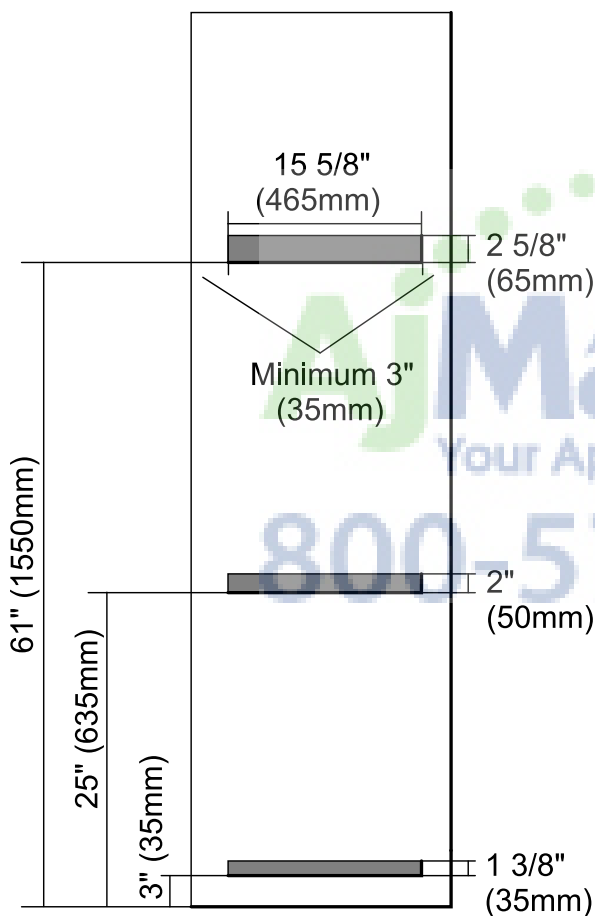


ASKO dryers can be installed beneath a cabinet or worktop with a minimum height of 34" (864 mm). There must be a gap of about 1/2" (12 mm) all around the machine, including between the rear edge of the machine top panel and the back wall. The opening width must be at least 24-1/2" (622 mm). The condensing models work best when they have good air circulation. Install the dryer so the condensed water will continuously flow into a drain or sink, you will need a drain outlet behind the unit. The maximum drain height is 40" (1016 mm).

# Installation instructions

## Install in a closet

ASKO's front panel controls make it possible to install the washers and dryers in a closet. Make sure there is a 1/2" (12mm) minimum clearance between units and cabinet or wall. To ensure proper ventilation, we recommend louvered doors, particularly for condenser dryers. Otherwise there must be ventilation openings in the door. See illustration for minimum ventilation openings:



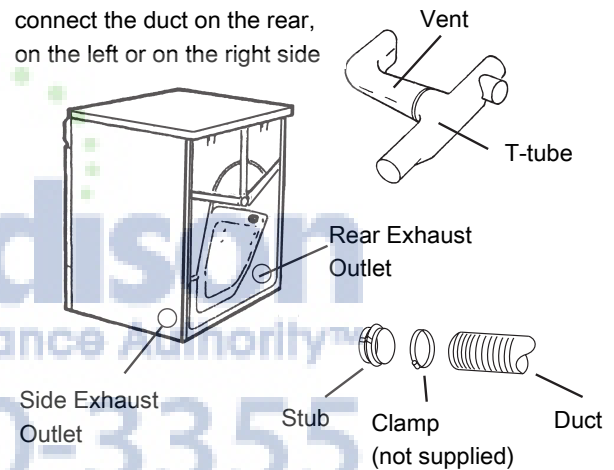
## Air exhaust

### Connecting the exhaust duct to the dryer

#### NOTE!

You will need to purchase a UL-CSA-approved 4" ridged metal exhaust duct. The dryer is delivered with the stub pipe attached to the rear exhaust outlet, though the exhaust duct can be attached to either the left or the right exhaust outlet.

Asko dryers have a "T-style" exhaust vent that allows you to connect the duct on the rear, on the left or on the right side



The duct must not be assembled with screws or other fasteners that extend into the duct and catch lint.

# Installation instructions

## To connect the exhaust duct to the rear outlet

To connect the exhaust duct to the rear outlet, follow the steps below:

1. Push the duct onto the stub pipe and secure it with a clamp
2. With the duct attached, insert the stub pipe into the hole. It should snap into place.
3. After you push the dryer into place, check for kinks in the duct.

### NOTE!

Excessive duct length and too many bends can impede drying performance. We recommend that you cut off any excess exhaust duct and run the duct with as few bends as possible. Make any necessary bends as gentle as possible.

### NOTE!

Maximum duct length of 60 feet and 4 elbows are allowed. Subtract 4 feet of duct for each 90° elbow.

## Connecting the exhaust duct to the Left or Right Side Outlet

To connect the exhaust duct to the left or right side outlet, follow the steps below:

1. Using a flathead screw-driver, turn the exhaust outlet cover you plan to use to the right or left to align the tabs holding the cover in place.
2. Remove the exhaust outlet cover.
3. Remove the stub pipe from the rear exhaust outlet and place it in the outlet you plan to use.
4. Push the duct onto the stub pipe and secure it with a clamp.
5. With the duct attached, insert the stub pipe into the hole. It should snap into place.
6. After you push the dryer into place, check for kinks in the duct.
7. Use the exhaust outlet cover you removed from the to cover the rear exhaust outlet.

### WARNING!



To reduce the risk of fire, this appliance must be exhausted OUTDOORS or the equivalent. Never cover the end of the dryer stub or exhaust duct with anything to catch lint, except for UL approved vent basket.

# Installation instructions

## Connecting to a ventilation duct

You will need a UL-CSA-approved, 4-inch ridged metal exhaust duct. If a flexible duct is used, it must comply with the Outline for Clothes Dryer Transition Duct. Subject 2158A and maximum length of 2.4 m (8 feet).

### NOTE!

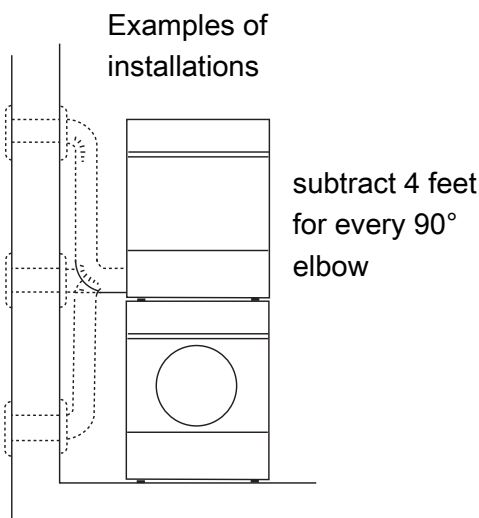
The more bends and the longer the duct, the less air will circulate through the machine, which will impede drying performance. We recommend that you cut off any excess exhaust duct and run the duct with as few bends as possible. And make any necessary bends as gentle as possible.

### NOTE!

Maximum duct length of 60 feet and 4 elbows are allowed. Subtract 4 feet of duct for each 90° elbow. If more than 20 feet of duct is needed, the diameter must be increased to 6" or 8" (152 mm or 203 mm).

### NOTE!

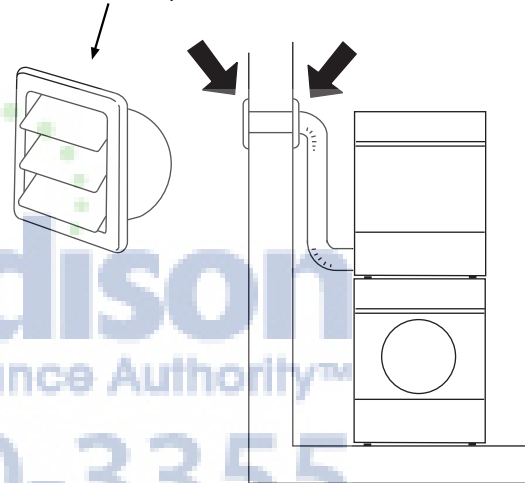
When installing in warm climates (77° F and above) with high humidity levels, do not route the air exhaust duct upwards.



## To connect the exhaust duct to a ventilation outlet, follow the steps below:

1. Connect the exhaust duct to a ventilation exhaust fitting or to a discharge through the wall.
2. Secure the duct joint to the outlet stub on the machine.
3. Run the duct with as few bends as possible to the point of discharge.

Ventilation grille  
(not supplied with machine)



## WARNING!



This appliance shall not be exhausted into a chimney, a wall, a ceiling, an attic, a crawl space or a concealed space of a building. Only a rigid or flexible metal duct shall be used for exhausting. Only a metal ventilation grill shall be used. If the duct is taken to a wall outlet, a ventilation grill shall be fitted to prevent reverse flow of cold air. Fit the ventilation grill to the outside or inside of the wall.

# Installation instructions

## Electrical installation

### WARNING!



The receptacle on the rear of the machine is designed to accommodate ASKO washers ONLY (rated 208–240 V.) To use this receptacle, you must use the ready-fitted plug supplied with the washing machine or an equivalent.

ASKO washers rated 208–240 V have two internal fuses of 15 A each.

The machine should only be connected to a grounded wall socket.

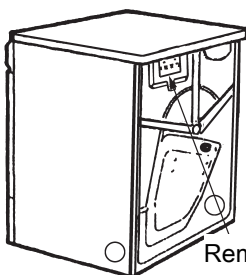
### WARNING!



This appliance must be properly grounded. Refer to the “Important Safety Instructions” for grounding instructions.

The power supply cord must be grounded. If the machine is to be used in a wet area, the supply must be protected by a residual current device.

Connection to a permanently wired supply point must be made only by a qualified electrician. As supplied: Single-phase, 230 V, 60 Hz, 3000W heater rating 30 A circuit required



Remove cover to access terminal box.  
(Requires a 20-Torx screwdriver.)

## Electrical Connections

### WARNING!



Read the Electrical requirements and grounding instructions before connecting the tumble dryer.

Electric models of the dryer are manufactured for a 3-wire connection system. The dryer frame is grounded by a link to the neutral conductor on the dryer terminal block. If local codes do not permit grounding through the neutral, the grounding link from the terminal block must be removed and a separate ground wire must be used.

Only a 4-conductor cord shall be used when the appliance is installed in a location where grounding through the neutral conductor is prohibited. Grounding through the neutral conductor is prohibited for new branch-circuit installations, mobile homes, recreational vehicles, and areas where local codes prohibit grounding through the neutral conductors. The grounding link on the dryer must be removed for all 4-wire installations.

These Electrical Connection instructions provide for installing the dryer in the following situations:

3-wire connection where local codes permit grounding through the neutral. 3-wire connection plus separate grounding connector where local codes do not permit grounding through the neutral.

4-wire connection.

Each of the above connections can be made with an approved power supply cord or by direct wiring. Each connection instruction identifies the appropriate Power Supply Cord and covers requirements for direct wiring.

### NOTE!

In Canada, the dryer is delivered ready-fitted with a four-prong plug intended for connection to a single-phase supply.

# Installation instructions

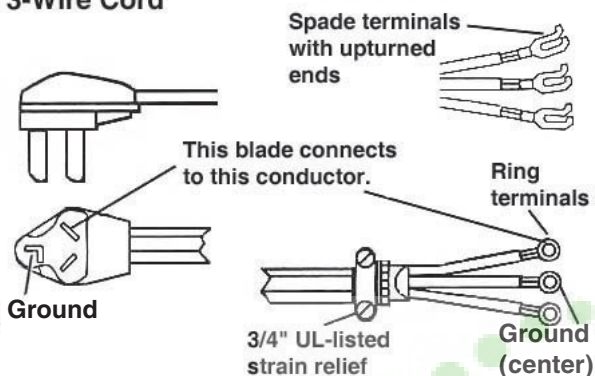
## Connecting a 3-wire Power Cord

### WARNING!



Before starting this procedure, be sure the power is turned off at the breaker/fuse box.

#### 3-Wire Cord



## Power Supply Cord

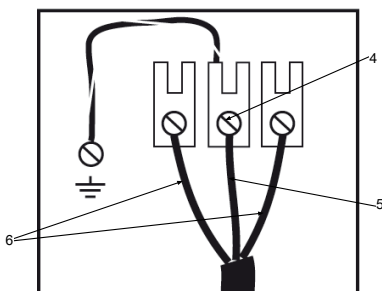
You will need a 3-wire power supply cord with three No. 10 copper wires and a matching 3-wire receptacle of NEMA Type 10-30R, as illustrated below:

To connect a 3-wire power cord to the dryer, follow the steps below.

### NOTE!

The numbers in the illustration below correlate to the step numbers.

1. Turn the power off at the breaker or fuse box.
2. Remove terminal block cover.
3. Use the strain relief attached below the terminal block opening.
4. Loosen or remove center terminal block screw.



5. Connect ground (center) wire of power supply cord to the center, silver-colored terminal screw. Tighten screw.
6. Connect the other wires to outer screws.
7. Tighten the strain relief screws.
8. Replace terminal box cover on back of dryer.
9. Plug dryer into wall receptacle.
10. Turn power on at breaker/fuse box.

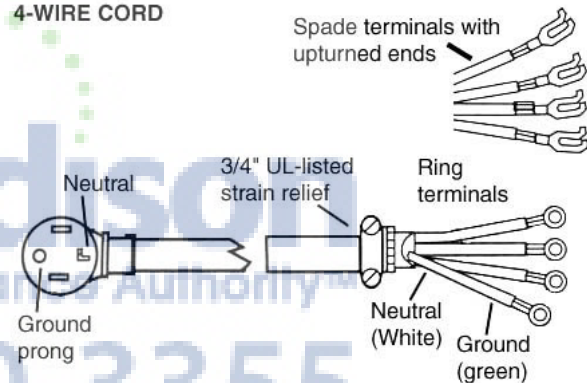
## Connecting a 4-wire Power Cord

### WARNING!



Before starting this procedure, be sure the power is turned off at the breaker/fuse box.

#### 4-WIRE CORD



## Power Supply Cord

You will need a 4-wire power supply cord with four No. 10 copper wires and a matching 4-wire receptacle of NEMA Type 14-30R, as illustrated below.

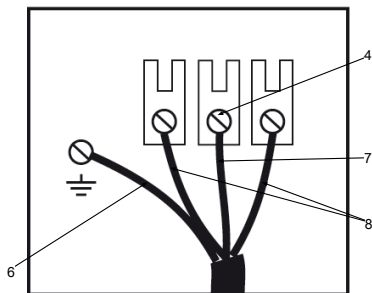
The fourth wire must be identified with a white cover and the ground conductor by a green cover. To connect a 4-wire power cord to the dryer, follow the steps below.

### NOTE!

The numbers in the illustration below correlate to the step numbers.

1. Turn the power off at the breaker/fuse box.
2. Remove terminal block cover.
3. Use the strain relief attached below the terminal block opening.
4. Remove center terminal block screw.

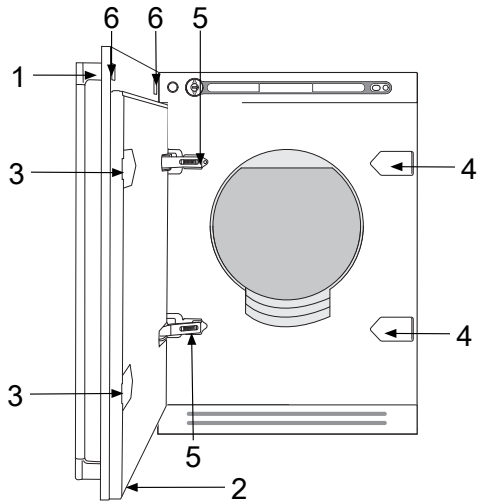
# Installation instructions



5. Remove ground wire (green with yellow stripes) from external ground connector screw and remove from center terminal block.
6. Connect ground (green) wire of cord to external ground conductor screw.
7. Connect neutral (white) wire of cord under center screw of terminal block.
8. Connect the other wires to outer screws.
9. Tighten the strain relief screws.
10. Replace terminal box cover on back of dryer.
11. Plug dryer into wall receptacle.
12. Turn power on at breaker/fuse box.

**AJ Madison**  
Your Appliance Authority™  
800-570-3355

# Reversing the door



- |                               |                            |
|-------------------------------|----------------------------|
| 1. Cover door                 | 4. Cover plates on machine |
| 2. Steel door                 | 5. Hinge                   |
| 3. Cover plates on steel door | 6. Plastic guard           |

**AjMadison**  
Your Appliance Authority™

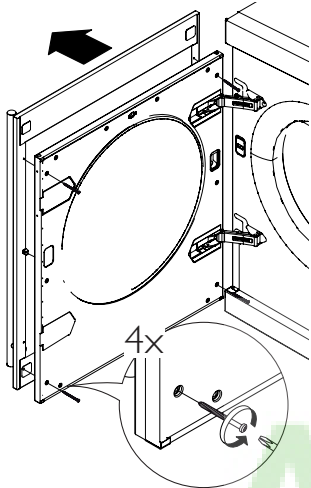
800-570-3355

# Reversing the door

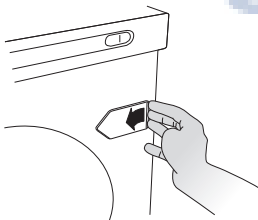
You can choose whether the cover door is hung on the right or the left.

## Follow these instructions:

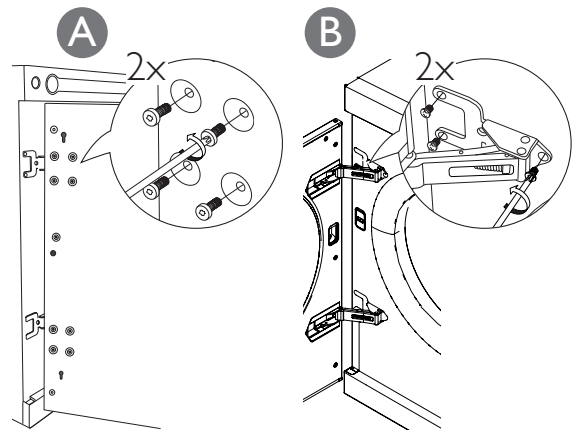
1. Remove the cover door by undoing the four screws. The door is attached to two plastic mounts. Pull straight out.



2. Remove the cover plates from the machine by pushing them sideways. Whether to the right or the left depends on how the door is fitted to the machine.



3. Remove the door from the hinges **(A)**. Then unscrew the hinge from the machine **(B)**.

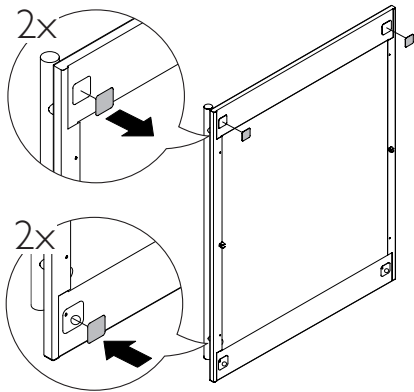


4. Reattach the cover plates on the other side of the machine.
5. Undo the screws holding the cover plates for the steel door. Reattach them on the other side.



6. Reattach the hinges on the other side of the machine. Then reattach the steel door.
7. Remove the glued plastic guards from the top edge of the cover door and move them to the bottom edge (if the door needs to be rotated 180 degrees).

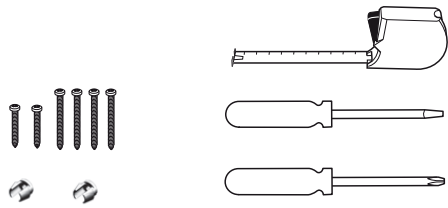
# Reversing the door



8. Refit the cover door.



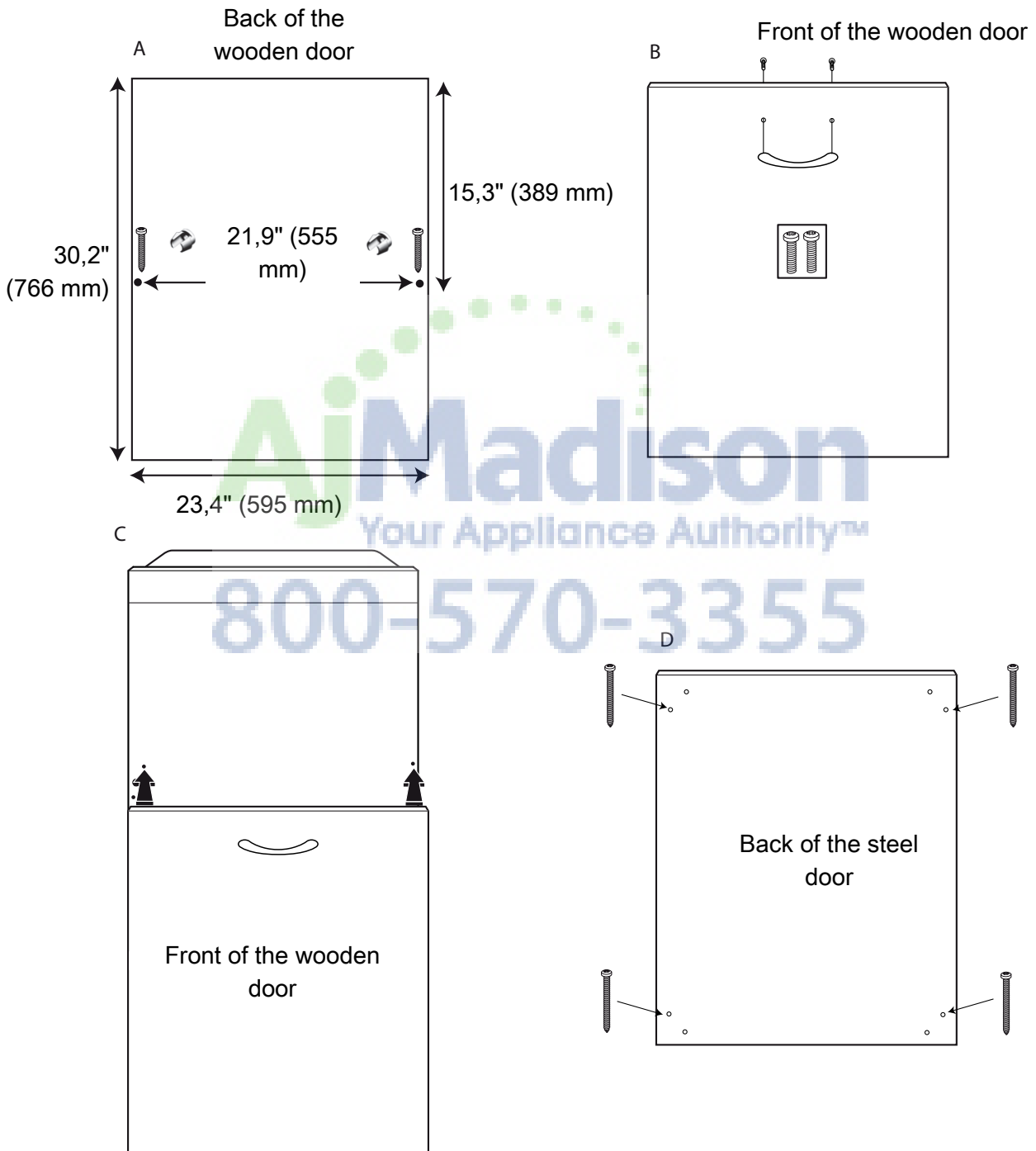
# Fitting the wooden door



Fitting the wooden door

Height 30,2" (766 mm)

Width 23 1/2" (597 mm)



**AiMadison**  
Your Appliance Authority™  
800-570-3355

# Notes



# Quick guide

## 1 Fabrics

- Dry fabrics of the same type together to ensure they dry as evenly as possible.

## 2 Turn on the main power switch

## 3 Load the garments

- Close the door.

## 4 Select a program and any options

- Turn the program selector to the desired program.
- Select any options and settings.

## 5 Press the Start button

## 6 Drying program finished

- "End" appears on the display when the program is finished. If the Anti Wrinkle option has been selected, the drum will rotate for three seconds every minute for two hours after the program is finished.
- Clean the lint filter after each load.

## 7 Once drying has finished

- Turn off the main power switch and close the door.

**AjMadison**  
Your Appliance Authority™  
800-570-3355