

# T48BR820NS

## 48-INCH SIDE-BY-SIDE REFRIGERATOR WITH INTERNAL ICE MAKER

PROFESSIONAL SERIES GRILLE & HANDLES



### FEATURES & BENEFITS

- Timeless built-in stainless steel refrigerator
- Electronic controls for precise temperature management
- FlexTemp® Drawer optimized for fish, meat and produce
- Crisper drawers
- Gallon door bins

### GENERAL PROPERTIES

Multi-Flow Air Tower	Yes
Water Filter	Yes
Lighting	Incandescent Bulb
Full Width Shelves - Refrigerator	4
Adjustable Shelves - Refrigerator	Yes
Shelf Material - Refrigerator	Frameless Glass
Humidity Control Drawer	Yes
Door Bins - Refrigerator	4
Gallon Door Bins	5
Defrost Process - Freezer	Frost-Free
Freezer Drawers	2
Adjustable Shelves - Freezer	3
Shelf Material - Freezer	Metal
Type Of Shelves - Freezer	Wire
Door Bins - Freezer	6
Ice Maker	Yes
Door Open Alarm	Yes
SuperCool	Yes

### CAPACITY

Total Unit Gross Capacity (cu. ft.) - AHAM	29 cu. ft.
Refrigerator Gross Capacity (cu. ft.)	19 cu. ft.
Freezer Gross Capacity (cu. ft.)	11 cu. ft.

### TECHNICAL DETAILS

Current (A)	15 A
Volts (V)	115 V
Frequency (Hz)	60 Hz
Power Cord Length (in.)	84"
Plug Type	120V 3-Wire

### DIMENSIONS & WEIGHT

Appliance Dimensions (H x W x D) (in.)	83 3/8" x 47" x 25 1/8"
Required Cutout Size (H x W x D) (in.)	84" x 47 1/2" x 24"
Net Weight (lbs)	575 lbs

### EFFICIENCY

Annual Energy Consumption	831.8 kWh
---------------------------	-----------

### WARRANTY

Limited, Entire Appliance, Parts and Labor On Any Part of The Refrigerator That Fails Because of A Manufacturing Defect	2 Year
Limited Warranty For Sealed Refrigeration System*; Parts and Labor	3rd to 6th Year
Limited Warranty For Sealed Refrigeration System*; Parts Only	7th to 12th Year

\* Sealed refrigeration system includes compressor, evaporator, condenser, dryer / strainer and connection tubing

# T48BR820NS

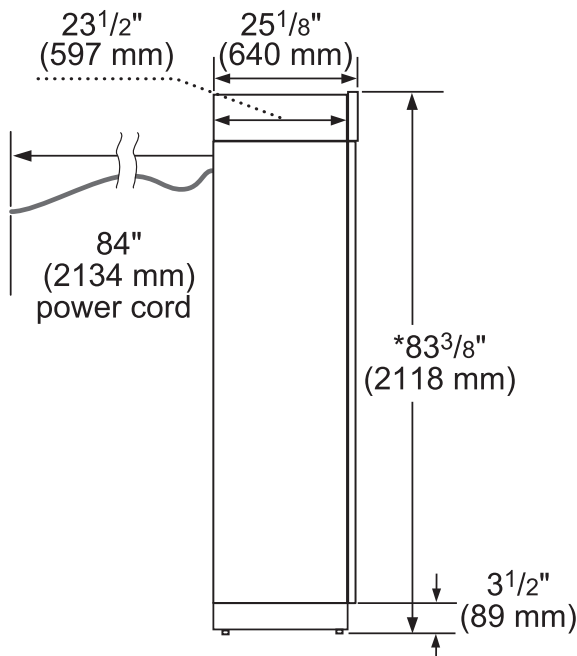
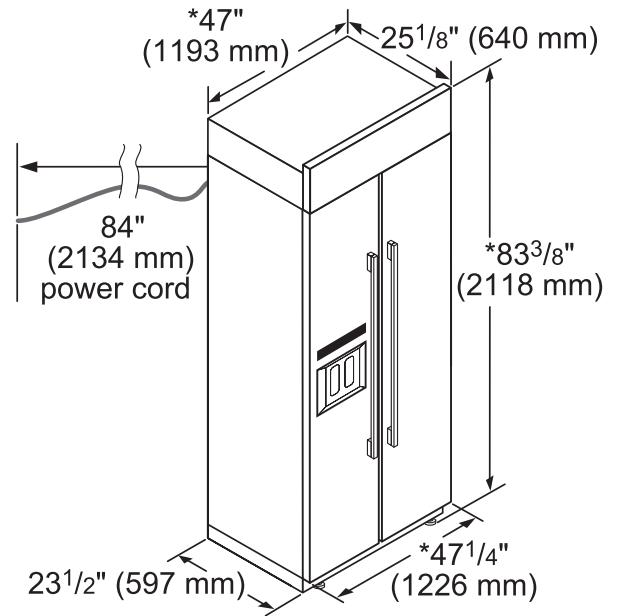
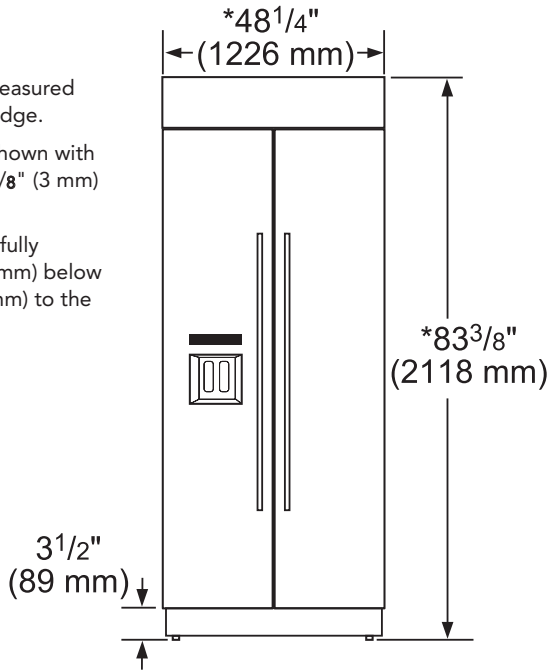
## 48-INCH SIDE-BY-SIDE REFRIGERATOR WITH INTERNAL ICE MAKER

PROFESSIONAL SERIES GRILLE & HANDLES



Width dimensions are measured from trim edge to trim edge.  
 Height dimensions are shown with leveling legs extended  $\frac{1}{8}$ " (3 mm) below the rollers.

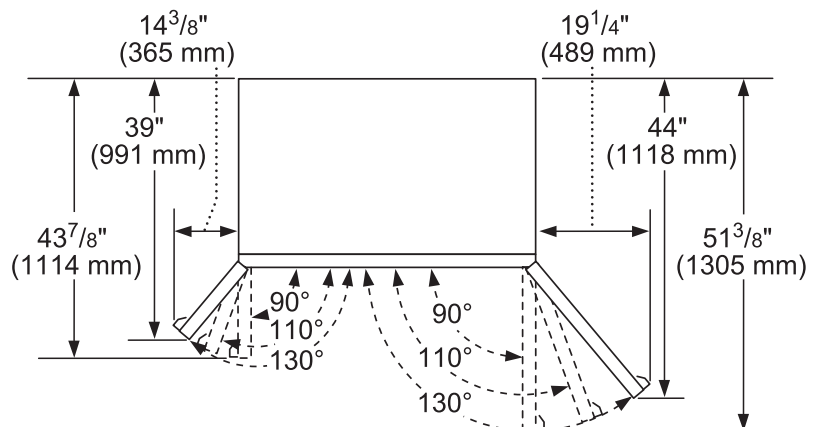
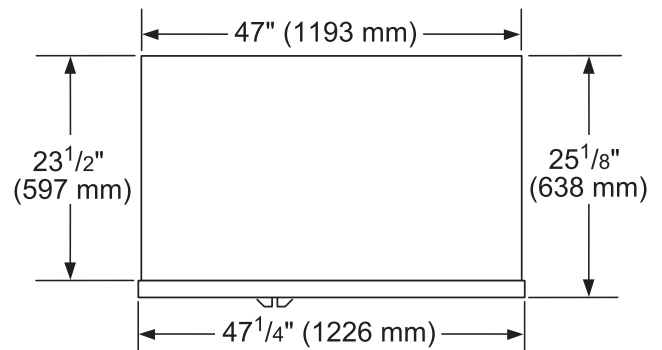
\*When leveling legs are fully extended to  $1\frac{1}{4}$ " (32 mm) below rollers, add  $1\frac{1}{8}$ " (29 mm) to the height dimensions.



The depth from the front of the top grille to the back of the refrigerator cabinet is  $25\frac{1}{8}"$  (638 mm).

The water line attached to the back of the refrigerator is 5 ft (1524 mm) long. Height dimensions are shown with leveling legs extended  $\frac{1}{8}"$  (3 mm) below rollers.

\*When leveling legs are fully extended to  $1\frac{1}{4}"$  (32 mm) below rollers, add  $1\frac{1}{8}"$  (29 mm) to the height dimensions.

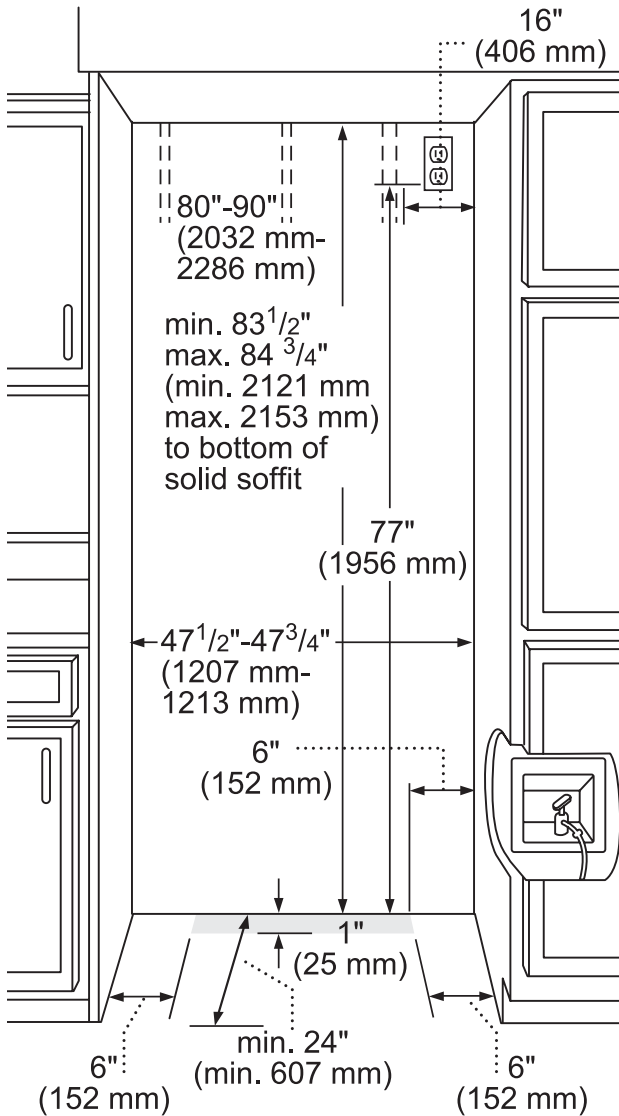


The location must permit both doors to open to a minimum of 90°. Allow  $4\frac{1}{2}"$  (114 mm) minimum space between the side of the refrigerator and a corner wall.

# T48BR820NS

## 48-INCH SIDE-BY-SIDE REFRIGERATOR WITH INTERNAL ICE MAKER

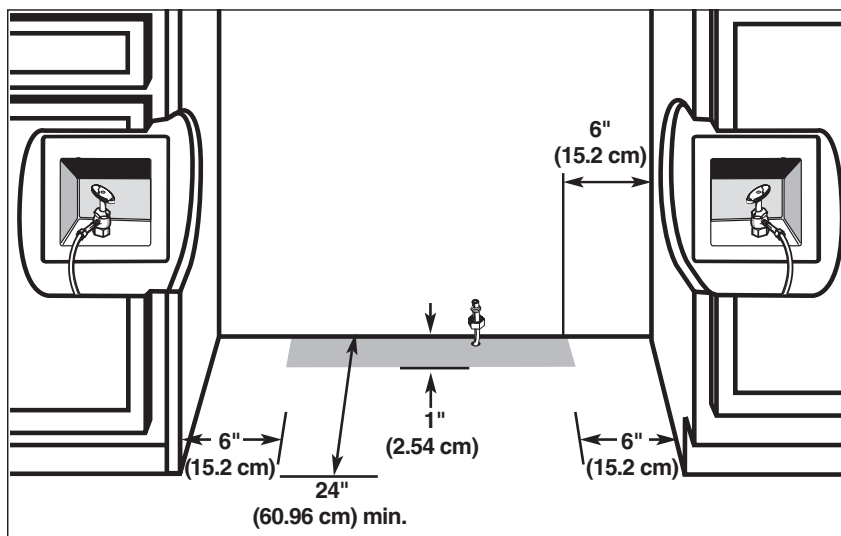
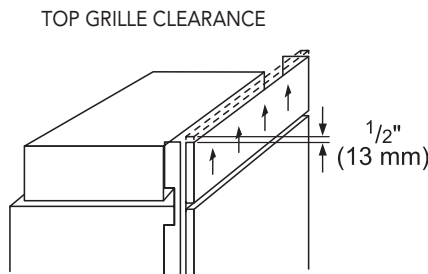
PROFESSIONAL SERIES GRILLE & HANDLES



To avoid tipping during use, the solid soffit must be within 1" (25 mm) maximum above the refrigerator. If the solid soffit is higher than 1" (25 mm) or one is not available, then the refrigerator must be braced.

If the anti-tip boards are needed, they must be attached to the rear wall studs 80" to 90" (2032 to 2286 mm) above the floor. A clearance of 1/2" (13 mm) must be maintained above the top grille in order for the top grille to be removed.

**NOTE:** A grounded 3-wire electrical outlet should be placed within 16" (406 mm) of the right side cabinets or end panel. The water shut-off should be located in the base cabinet on either side of the refrigerator or some other easily accessible area. If the water shut-off valve is not in the cabinets, the plumbing for the water line can come through the floor or the back wall.



### WATER LOCATION

All installations must meet local plumbing code requirements.

The water shut-off should be located in the base cabinet on either side of the refrigerator or some other easily accessible area. The right-hand side is recommended. The access hole through the cabinet must be within 1/2" (13 mm) of the rear wall.

# T48BR820NS

## 48-INCH SIDE-BY-SIDE REFRIGERATOR WITH INTERNAL ICE MAKER

PROFESSIONAL SERIES GRILLE & HANDLES



### PLANNING INFORMATION

#### SIDE PANELS

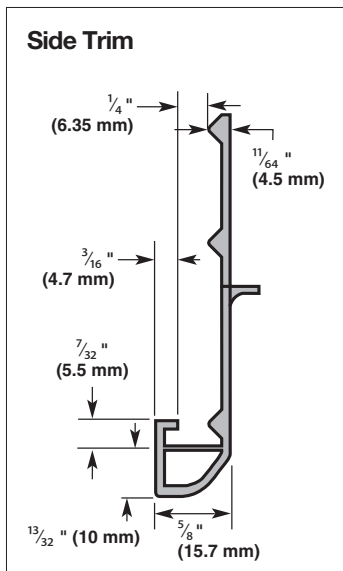
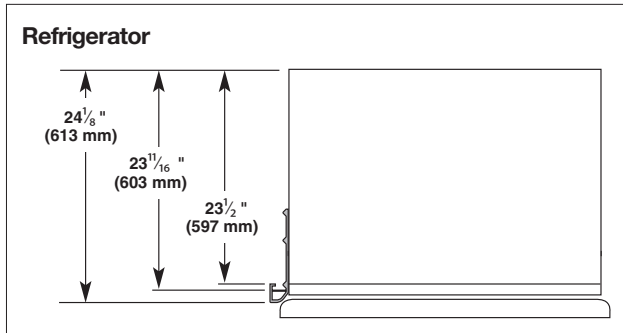
Custom side panels may be needed when not enough space is available to have cabinets on both sides of the refrigerator or when the refrigerator is placed at the end of a cabinet run. You may choose an inset, flush, or recessed inset panel installation.

#### REFRIGERATOR AND SIDE TRIM DIMENSIONS

The width and height of a side panel are determined by the type of installation you are planning.

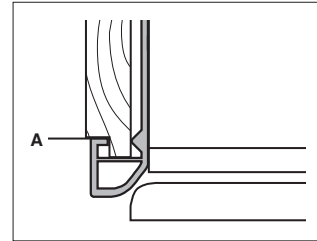
#### NOTES:

- The dimensions shown are actual product dimensions and may not reflect the needed panel installation dimensions.
- The side panel should be a minimum of 1/2" (13 mm) thick to avoid warping.
- If the opening depth is 25" (635 mm) or more, you may want to install a support board on rear wall.



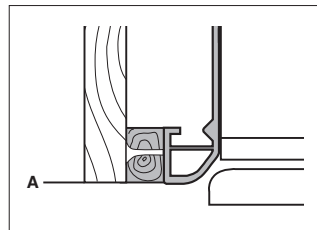
#### INSET INSTALLATION DIMENSIONS

1. Measure the distance from point A (as shown) to the back wall. Add 7/32" (5.6 mm) to this measurement to allow the side panel to fit into the trim.
2. If the panel is more than 1/4" (6.35 mm) thick, rout the front edge to allow the side panel to fit into the trim.



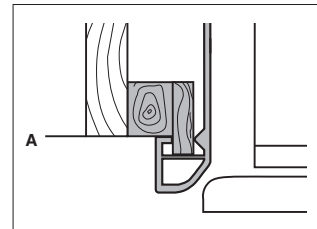
#### FLUSH INSTALLATION DIMENSIONS

1. Measure the distance from point A (as shown) to the back wall.
2. Attach the support board with a screw or adhesive that is compatible with aluminum and wood.



#### RECESSED INSET INSTALLATION DIMENSIONS

1. Measure the distance from point A (as shown) to the back wall.
2. Rout the front edge of the support board or attach a 1/4" (6.35 mm) board to hold the panel in the cabinet side trim.



These warranties give you specific legal rights and you may have other rights that vary from state to state. Full warranty and limited warranty from date of installation. For complete warranty details, refer to your Use & Care manual, or ask your dealer.

Specifications are for planning purposes only. Refer to installation instructions and consult your countertop supplier prior to making counter opening. Consult with a heating and ventilation engineer for your specific ventilation requirements. For the most detailed information, refer to installation instructions accompanying product or write to Thermador indicating the model number. Specifications are correct at time of printing. Thermador reserves the right to change product specifications or design without notice. Some models are certified for use in Canada. Thermador is not responsible for products that are transported from the U.S. for use in Canada.