



Tumble dryer

T3HW.U

3-series

Capacity: 19.8 lb

Condenser with heat pump

Number of program: 12

ADA Compliant: Yes, standing on the ASKO pedestal drawer

Installation: Freestanding



Construction and performance

- Inner drum: Stainless Steel
- Motor: Long life and quiet brushless motor
- Heating system: Heat pump
- Drying types: Sensor or time controlled
- Drum volume: 4.2 Cubic ft
- Shortest program time: 30 min
- Easy to use lint filter: Yes, Asko double lint filter

Use and flexibility

- Water tank volume: 1.7 gal
- Automatic programs: Yes
- Door opening diameter: 13 3/8 "
- Door maximum opening angle: 180 °
- Sensors: Moisture sensor
- Auto condenser filter cleaning: No
- Load Light™ - Illumination of the drum: Yes

Interaction and control

- Remaining time indication: Yes
- Type of display: LCD
- Indication when program is ready: Yes
- Language settings: Chinese simplified, Chinese traditional, Swedish, Slovenian, Slovak, Russian, Polish, Norwegian, Dutch, Latvian, Lithuanian, Japanese, Italian, Croatian, French, Finnish, Estonian, Spanish, English, German, Danish, Czech

Programs and options

- Number of program: 12
- Drying programs: Auto normal dry, Time program, Silk and wool, Bedding, Quick pro cotton, Down/bulky items, Mixed laundry, Synthetics, Delicate, Cotton iron, Cotton storage, AirRefresh
- Settings: Pause, Load level setting, Delayed start, Setting of dryness level, Timed drying, Anti-crease function, Low temperature option, Half load, Beep indicating that program is ended, Quick dry

Design and integration

- Door hinge placement: Right/Left
- Adjustable feet: 9/16 "
- Easy mounting of ASKO dryer on top of the washers: Yes
- Loading type: Front load

Safety and maintenance

- Child lock on display: Yes
- Overheat protection: For motor and electronics

Technical data

- Noise level drying dB(A): 61

- Power consumption in standby mode: 0.39 W
- Consumption in off mode: 0.22 W
- Plug type: USA
- Connected load: 700 W
- Voltage (V): 208-240 V
- Number of phases: 1
- Fuse: 30 A
- Frequency: 60 Hz
- Net weight: 116.8 lb
- ISO 14001 certified manufacturing: Yes

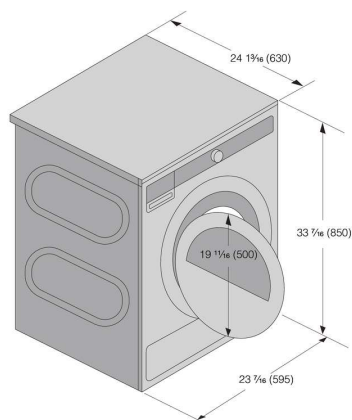
Dimensions

- Width: 23 7/16 "
- Height: 33 7/16 "
- Depth: 24 13/16 "
- Depth with door open: 42 1/2 "
- Length of electrical cord: 82 11/16 "

Logistic information

- Packaging width: 25 1/16 "
- Packaging height: 36 1/4 "
- Packaging depth: 29 1/4 "
- Gross weight: 126.8 lb
- Product code: 746431
- EAN code: 3838783003058

Inches (millimetres)



TDR68iHeat pump

