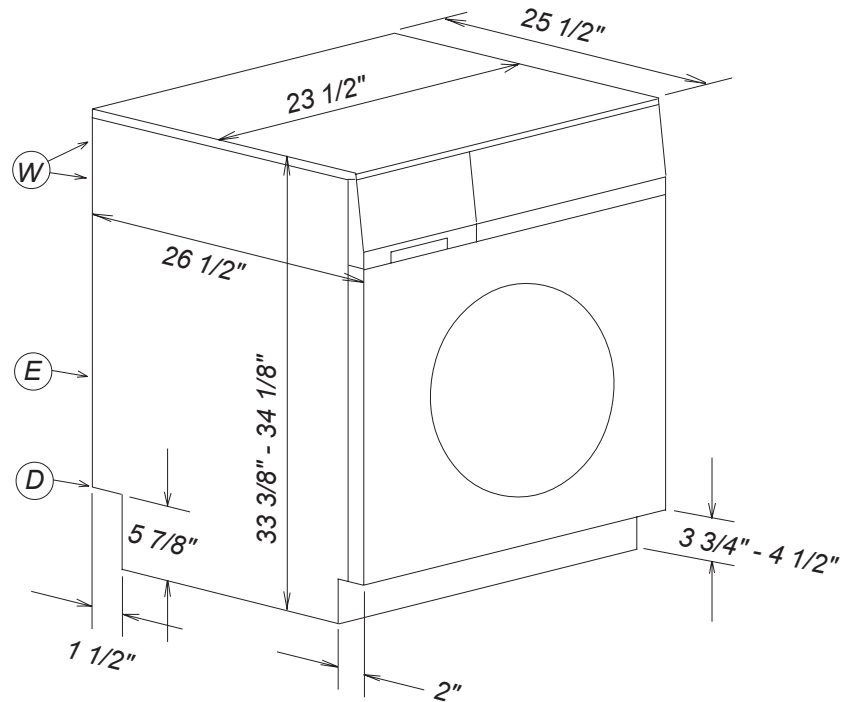


Product Dimensions

Super Capacity Washing Machines W1966, W1986



Location Codes

- D - 5 foot flexible drain hose connects lower left rear.*
- E - 208-240 Volt - 15 Amp 5 foot 4-wire (2 live / neutral / ground) molded plug power supply connects lower right rear (NEMA 14-30 Configuration).*
- W - 5 foot separate flexible hot and cold water intake hoses connect upper right and left rear.*

Notes

- All installations must be done in accordance with local codes**
- See "Cut-out Dimensions" sheet for undercounter or built-in space requirements
- Optional Easy Installation Kits utilize existing 208-240 Volt - 30 Amp line to connect two Miele machines without rewiring.
- Remove transport struts in rear of machine before installation.**

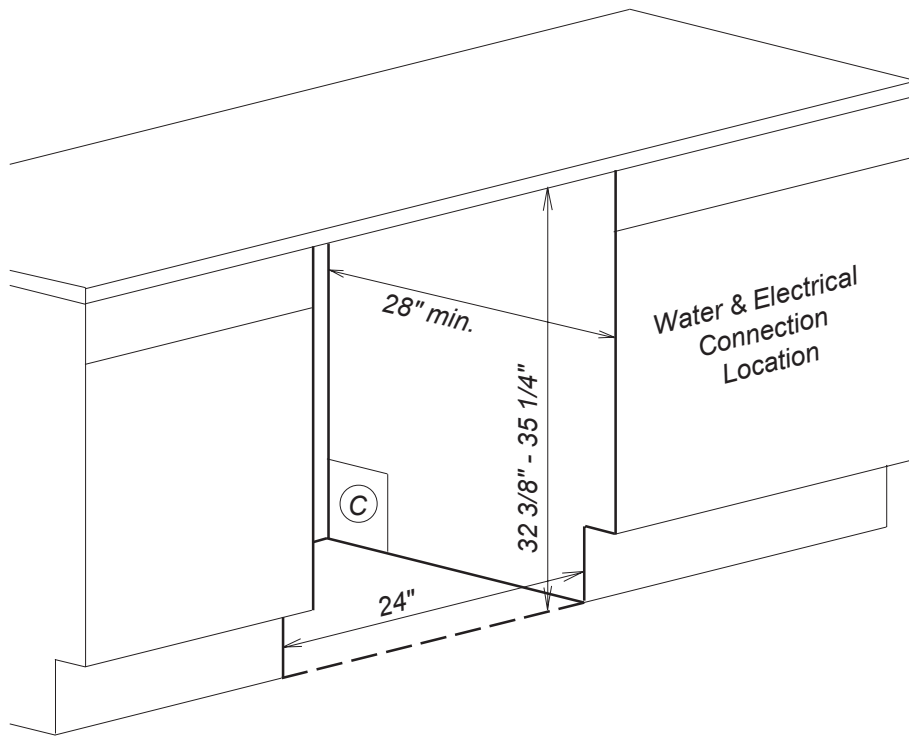
NOTE: Drawing is not to scale.
SPECIFICATION SHEETS 011202

Cut-out Dimensions

Built-in Installations

Super Capacity

Laundry Products



Location Codes
C - Cutout for Water, Drain and Electric pass-through. Adjust according to water and drain location.

Notes
• Typically requires removal of unit's lid. Out of box unit height dimension without lid is 32 5/16" - 32 11/16".

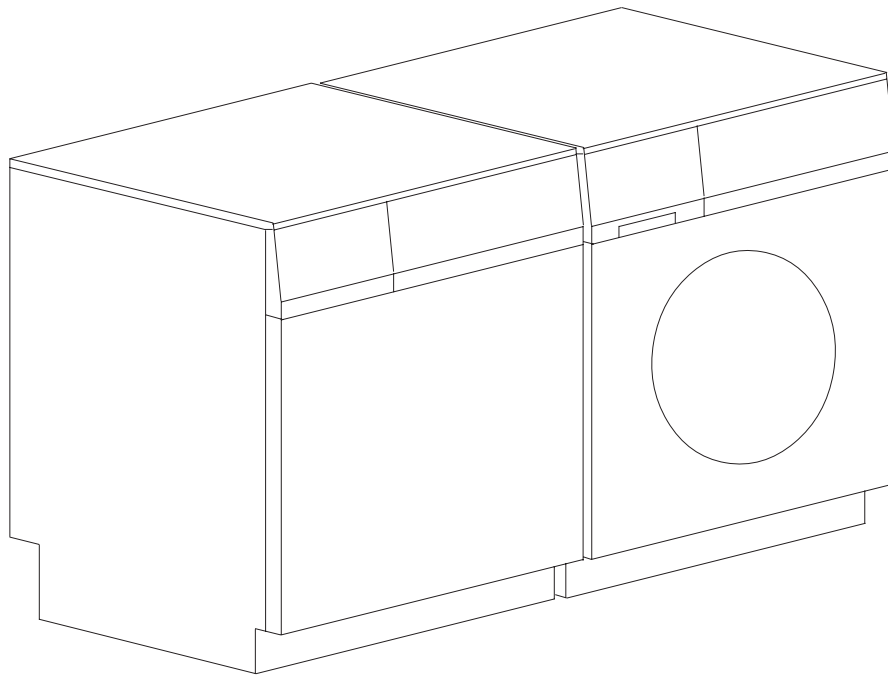
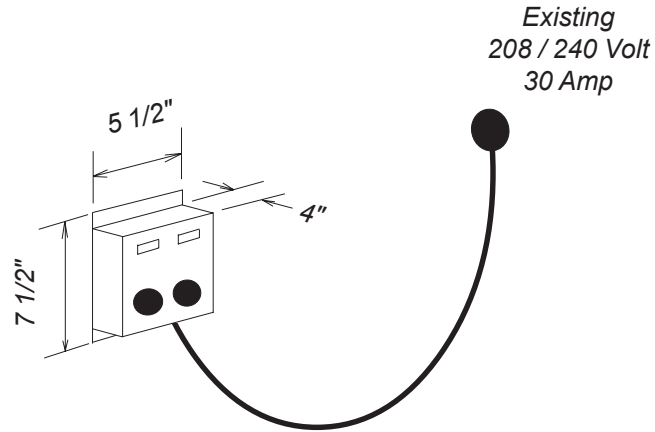
NOTE: Drawing is not to scale.
SPECIFICATION SHEETS 011202

Product Dimensions

Easy Installation Kits

057B / 060B

Miele



Notes

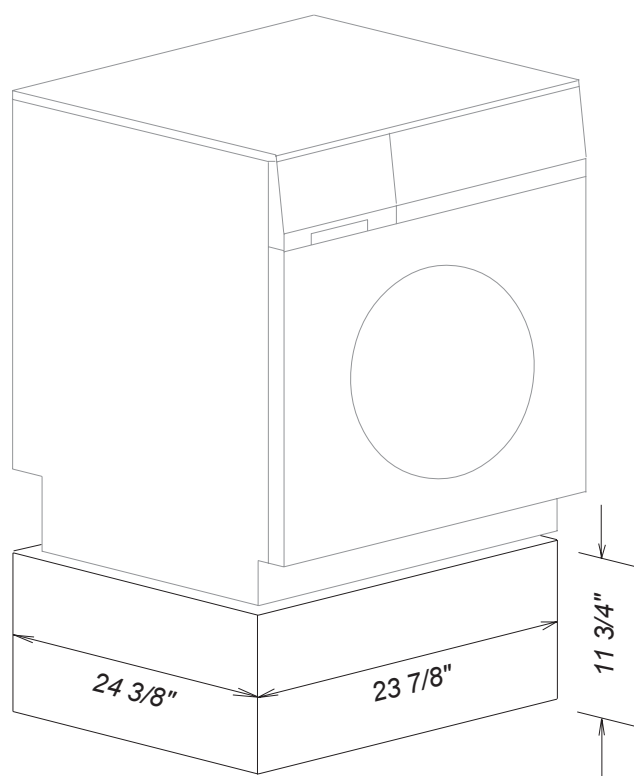
- **Connect Washer and Dryer to Easy Installation Kit**
- **All installations must be done in accordance with local codes**
- **057B Kit fitted with a NEMA10-30 Plug**
- **060B Kit fitted with a NEMA14-30 Plug**

NOTE: Drawing is not to scale.
SPECIFICATION SHEETS 011202

Product Dimensions

Laundry Stand XLWDSTAND-2

Miele



Notes

- **For use with the extra large capacity washing machines or tumble dryers.**
- **All installations must be done in accordance with local codes**

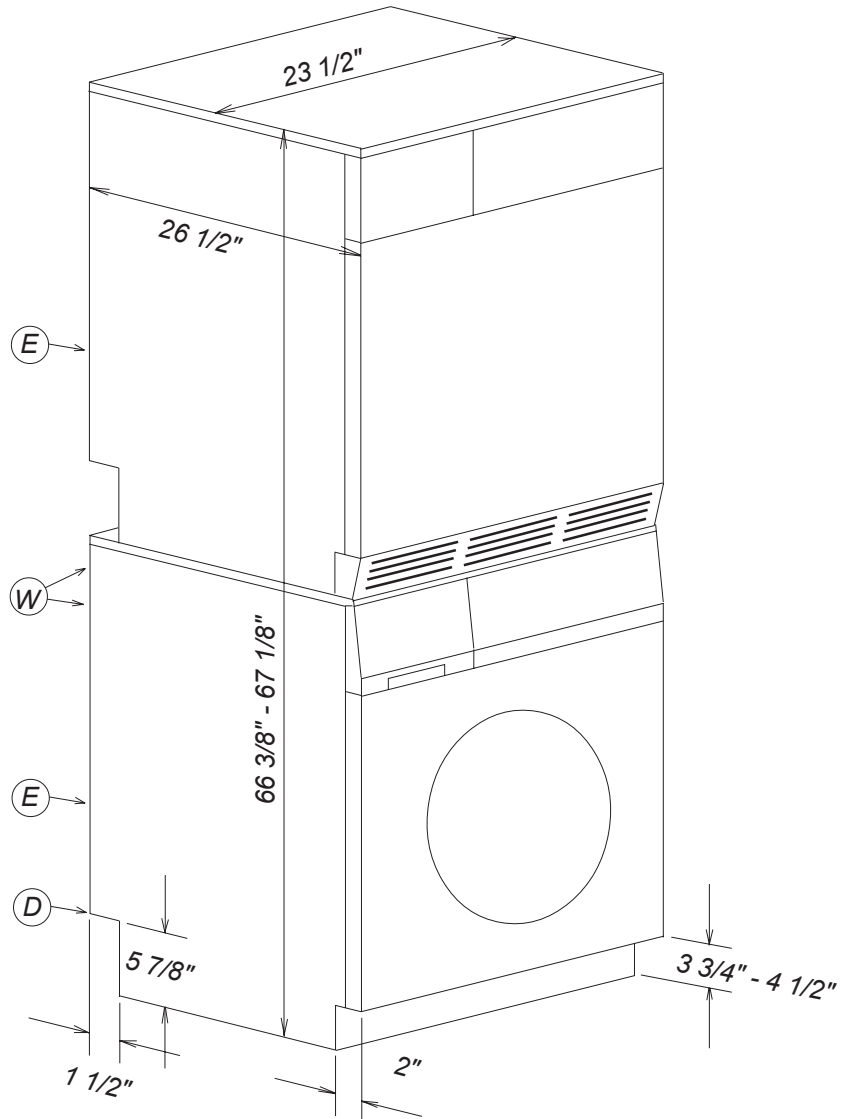
NOTE: Drawing is not to scale.
SPECIFICATION SHEETS 011202

Product Dimensions

Stacked Washer & Dryer

Example Combination

W1986 + T1576



Location Codes

- D - 5 foot flexible drain hose connects lower left rear.
- E - 208-240 Volt - 15 Amp 5 foot 4-wire (2 live / neutral / ground) molded plug power supply connects lower right rear. (NEMA 14-30 configuration)
- W - 5 foot separate flexible hot and cold water intake hoses connect upper right and left rear.

Notes

- **All installations must be done in accordance with local codes**
- See "Cut-out Dimensions" sheet for undercounter or built-in space requirements
- Optional Easy Installation Kits utilize existing 208-240 Volt - 30 Amp line to connect two Miele machines without rewiring.
- **Remove transport struts in rear of washing machine before installation.**

NOTE: Drawing is not to scale.
SPECIFICATION SHEETS 011202