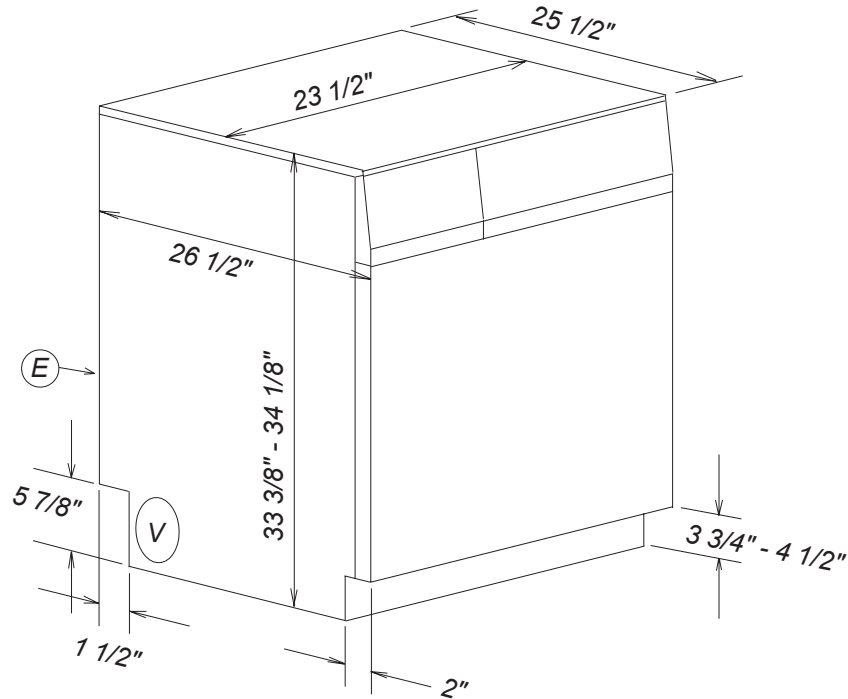


# Product Dimensions

Super Capacity

Vented Dryer

T1576



## Location Codes

- E** - 5 foot - 208-240 Volt - 15 Amp 4-wire (2 live / neutral / ground) molded plug power supply connects lower right rear (NEMA 14-30 Configuration).
- V** - Venting location may be adjusted to lower left side or lower left rear (see separate sheet).

## Notes

- **All installations must be done in accordance with local codes**
- See "Cut-out Dimensions" sheet for undercounter or built-in space requirements
- Optional Easy Installation Kits utilize existing 208-240 Volt - 30 Amp line to connect two Miele machines without rewiring.

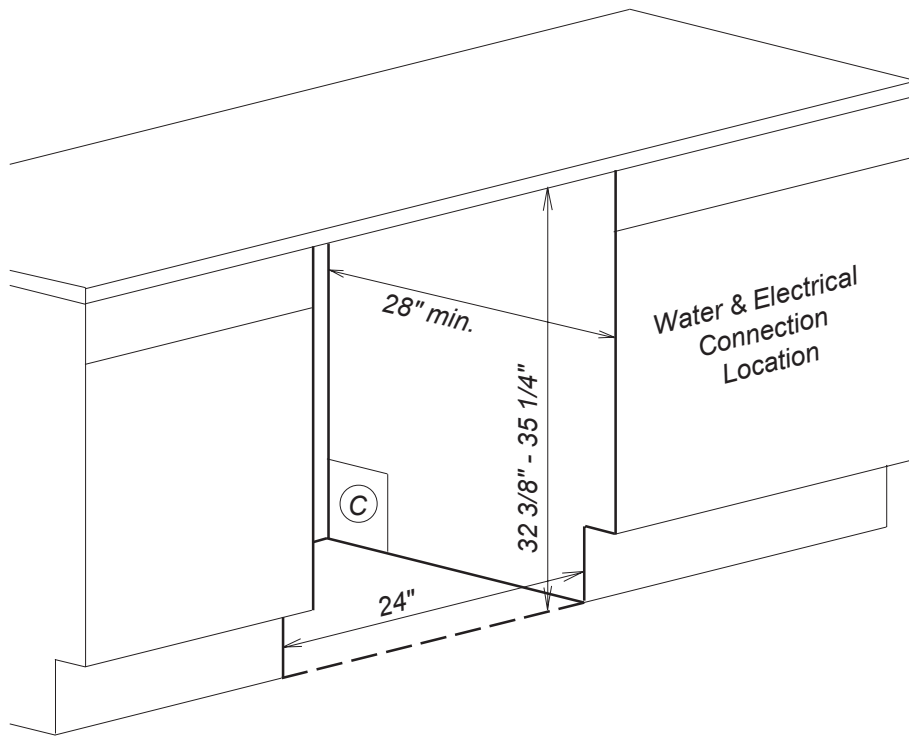
NOTE: Drawing is not to scale.  
SPECIFICATION SHEETS 011202

# Cut-out Dimensions

Built-in Installations

Super Capacity

Laundry Products



Location Codes
C - Cutout for Vent and Electric pass-through. Adjust according to vent location.

Notes
• Typically requires removal of unit's lid. Out of box unit height dimension without lid is 32 5/16" - 32 11/16".

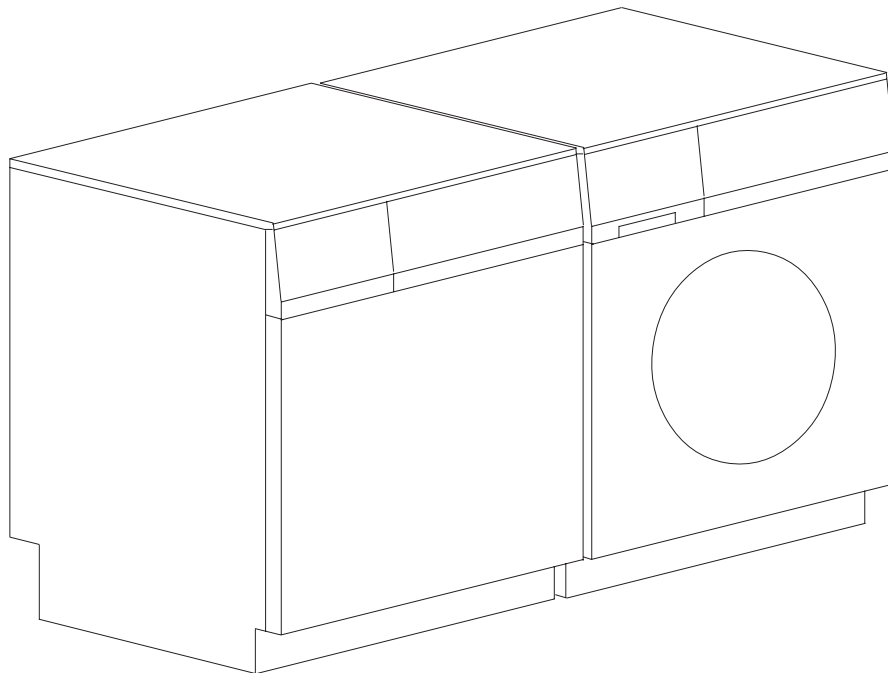
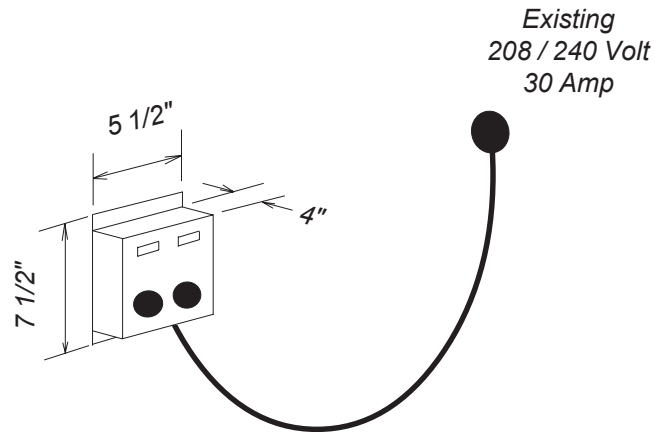
NOTE: Drawing is not to scale.  
SPECIFICATION SHEETS 011202

# Product Dimensions

## Easy Installation Kits

057B / 060B

**Miele**



### Notes

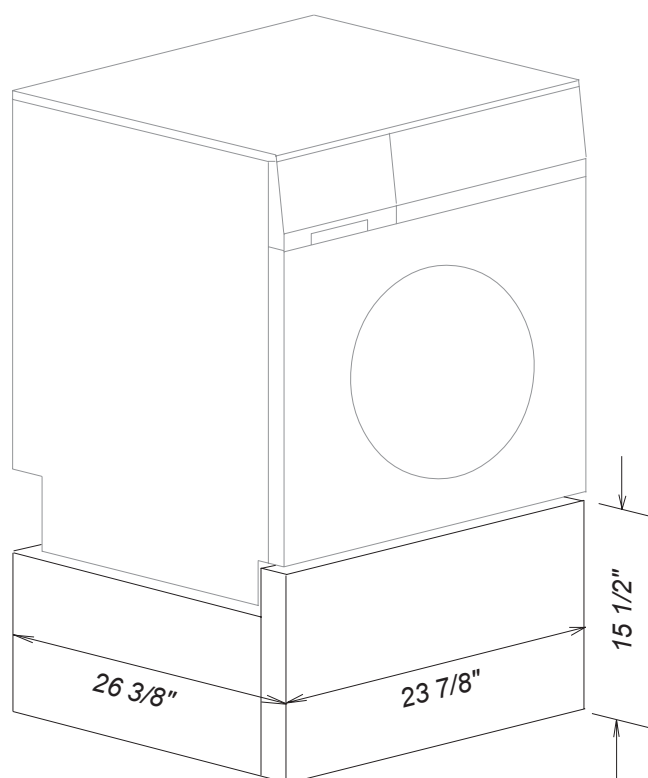
- **Connect Washer and Dryer to Easy Installation Kit**
- **All installations must be done in accordance with local codes**
  
- **057B Kit fitted with a NEMA10-30 Plug**
- **060B Kit fitted with a NEMA14-30 Plug**

NOTE: Drawing is not to scale.  
SPECIFICATION SHEETS 011202

# Product Dimensions

## Laundry Stand XLWDSTAND-2

**Miele**



### Notes

- **For use with the extra large capacity washing machine or tumble dryers.**
- **All installations must be done in accordance with local codes**

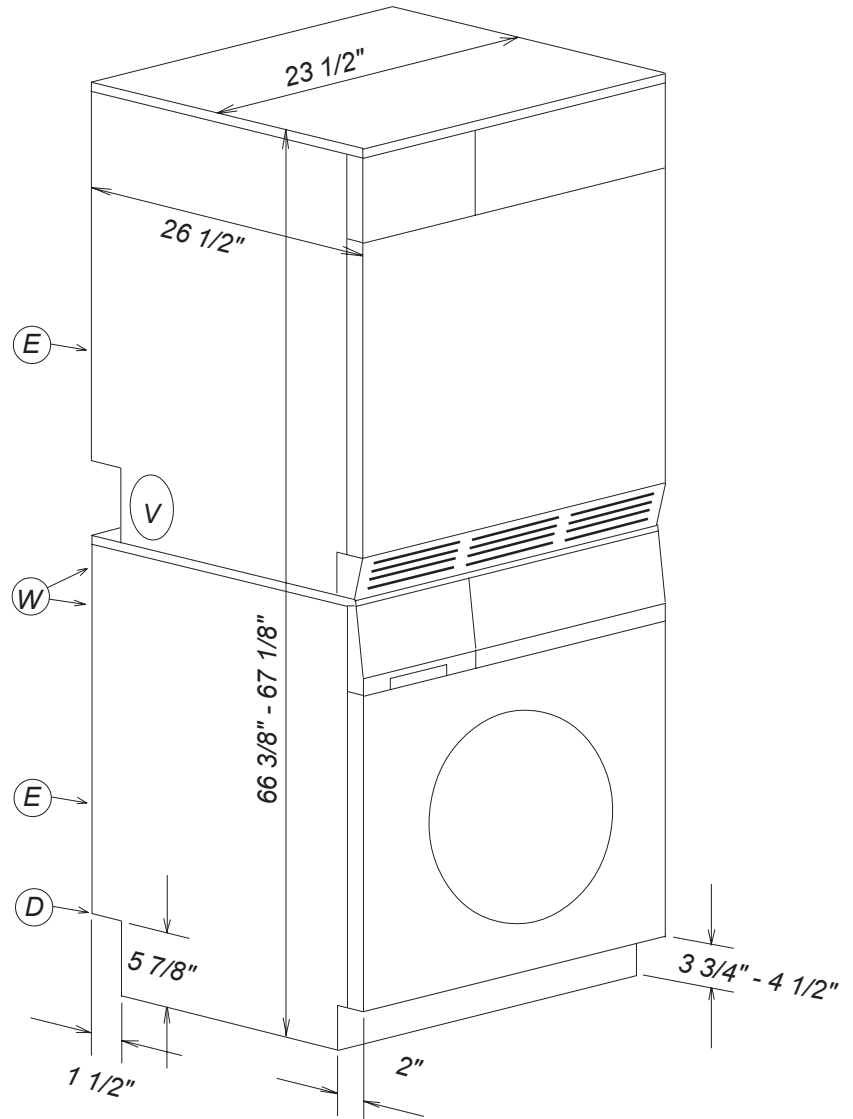
NOTE: Drawing is not to scale.  
SPECIFICATION SHEETS 011202

# Product Dimensions

## Stacked Washer & Dryer

### Example Combination

### W1986 + T1576



#### Location Codes

- D - 5 foot flexible drain hose connects lower left rear.
- E - 208-240 Volt - 15 Amp 5 foot 4-wire (2 live / neutral / ground) molded plug power supply connects lower right rear.
- W - 5 foot separate flexible hot and cold water intake hoses connect upper right and left rear.
- V - Venting location may be adjusted to lower left side or lower left rear (see separate sheet).

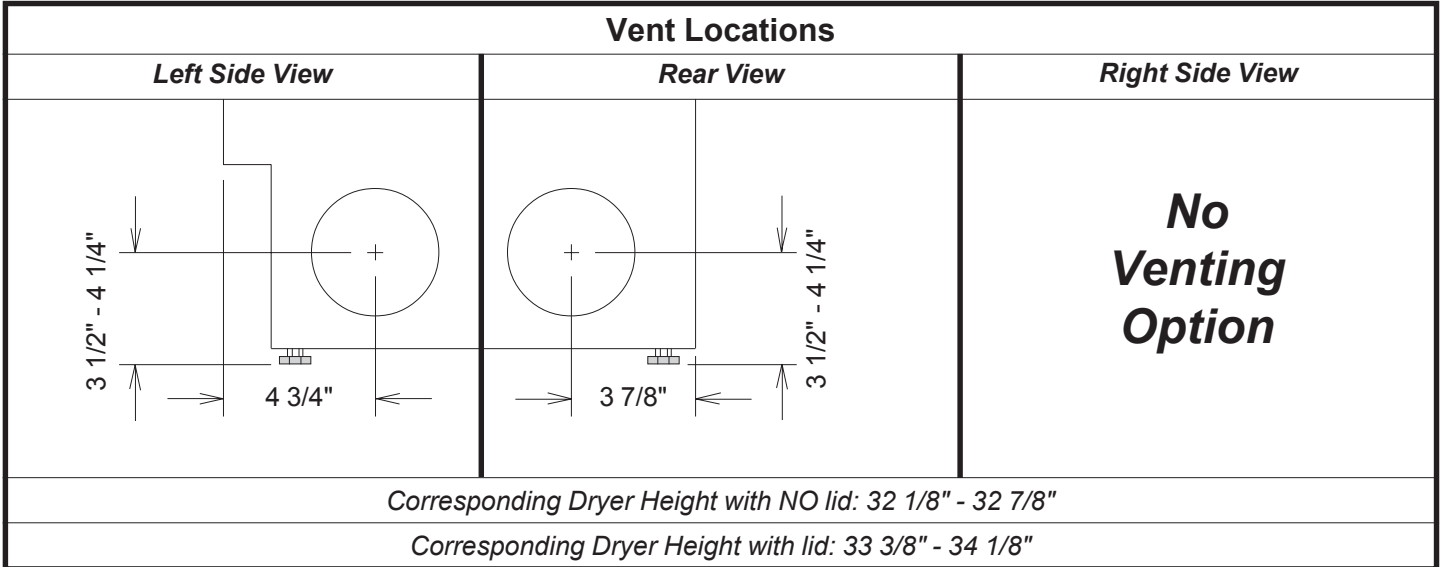
#### Notes

- **All installations must be done in accordance with local codes**
- See "Cut-out Dimensions" sheet for undercounter or built-in space requirements
- Optional Easy Installation Kits utilize existing 208-240 Volt - 30 Amp line to connect two Miele machines without rewiring.
- **Remove transport struts in rear of washing machine before installation.**

NOTE: Drawing is not to scale.  
SPECIFICATION SHEETS 011202

# Vent Locations

## Super Capacity Vented Dryer T1576



Vent Duct Calculations			
Maximum Duct Lengths	Type of Bend or duct	Effective Radius	Subtract
4" diameter	Flexible duct 90°	4 - 12 inches	1 3/4 feet
4 3/16" diameter	Flexible duct 90°	12 - 20 inches	1 1/4 feet
4 3/4" diameter	Flexible duct 45°	4 - 20 inches	1 1/4 feet
5" diameter	Smooth duct 90° or 45°	4 - 8 inches	1 1/4 feet
	Elbow 90°	Sharp bend	8 1/4 feet
	Concertina bend	8 inch	2 3/4 feet
	Segmented bend	8 inch	2 feet
	Louvered wall or window vent (#03780400)		12 1/2 feet
	Wall vent kit with flap (#00087184)		5 feet
	Window vent kit with flap (#00087185)		5 feet
	Exhaust connection - left		20 feet
	Exhaust connection - right		33 feet
	Flat duct (#01221330)		59 feet

**DO NOT use vinyl ducting with Miele appliances.**