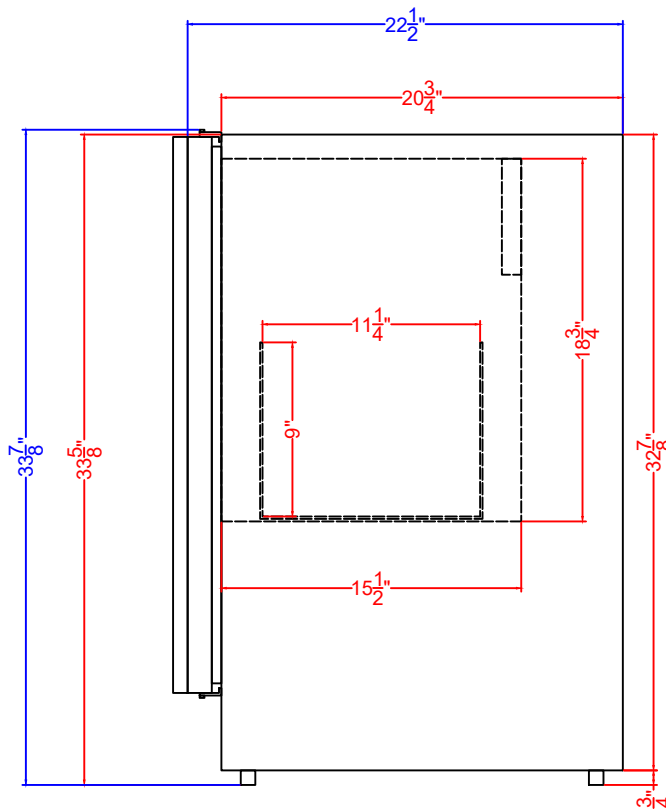
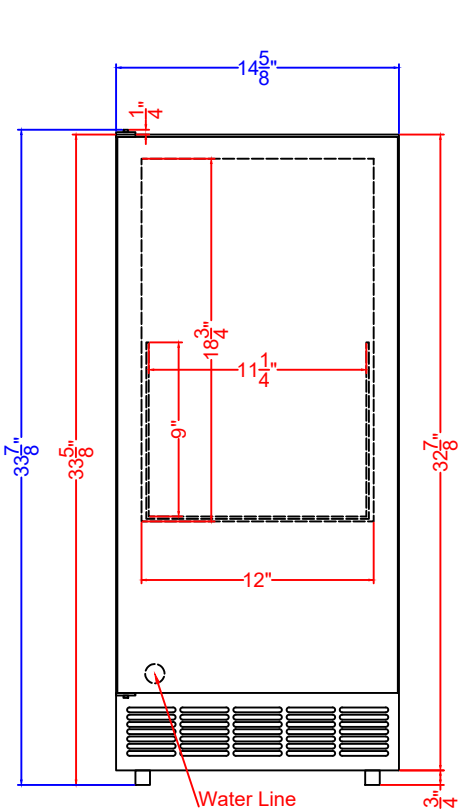
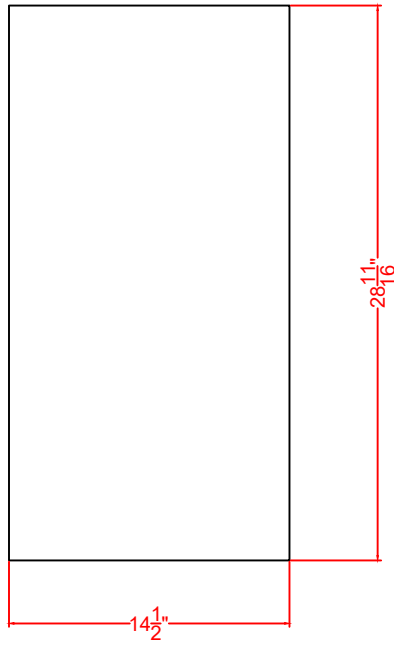


Panel Dimensions



BIM44GIF
 BIM44GCSSIF
 BIM47OSIF
 Icemaker
 04/14/26



SUMMIT APPLIANCE DIVISION,
 FELIX STORCH, INC. ISO 9001 CERTIFIED
 TEL 718.893.3900 • FAX 844.478.8799
summitappliance.com
info@summitappliance.com