

STRATUS NB

Installation Instructions
Use and Care Information

Instructions d'installation
Utilisez et d'entretien

Instrucciones de instalación
Información de uso y cuidado

STRTIS48WHNB
STRTIS36WHNB

READ AND SAVE THESE INSTRUCTIONS BEFORE YOU START INSTALLING THIS RANGEHOOD

WARNING: - TO REDUCE THE RISK OF A RANGE TOP GREASE FIRE:

- a) Never leave surface units unattended at high settings. Boilovers cause smoking and greasy spillovers that may ignite. Heat oils slowly on low or medium setting.
- b) Always turn hood ON when cooking at high heat or when flambeing food (i.e. Crepes Suzette, Cherries Jubilee, Peppercorn Beef Flambé).
- c) Clean ventilating fans frequently. Grease should not be allowed to accumulate on fan or filter.
- d) Use proper pan size. Always use cookware appropriate for the size of the surface element.

WARNING: - TO REDUCE THE RISK OF INJURY TO PERSONS IN THE EVENT OF A RANGE TOP GREASE FIRE, OBSERVE THE FOLLOWING*:

- a) **SMOTHER FLAMES** with a close-fitting lid, cookie sheet, or metal tray, then turn off the burner. **BE CAREFUL TO PREVENT BURNS.** If the flames do not go out immediately **EVACUATE AND CALL THE FIRE DEPARTMENT.**
- b) **NEVER PICK UP A FLAMING PAN** - You may be burned.
- c) **DO NOT USE WATER**, including wet dishcloths or towels - a violent steam explosion will result.
- d) Use an extinguisher **ONLY** if:
 1. You know you have a Class ABC extinguisher, and you already know how to operate it.
 2. The fire is small and contained in the area where it started.
 3. The fire department is being called.
 4. You can fight the fire with your back to an exit.

* Based on "Kitchen Firesafety Tips" published by NFPA

WARNING - TO REDUCE THE RISK OF FIRE OR ELECTRIC SHOCK, do not use this fan with any solid-state speed control device.

WARNING - TO REDUCE THE RISK OF FIRE, ELECTRICAL SHOCK, OR INJURY TO PERSONS, OBSERVE THE FOLLOWING:

1. Use this unit only in the manner intended by the manufacturer. If you have any questions, contact the manufacturer.
2. Before servicing or cleaning unit, switch power off at service panel and lock the service disconnecting means to prevent power from being switched on accidentally. When the service disconnecting means cannot be locked, securely fasten a prominent warning device, such as a tag, to the service panel.

CAUTION: For General Ventilating Use Only. Do Not Use To Exhaust Hazardous or Explosive Materials and Vapors.

WARNING - TO REDUCE THE RISK OF FIRE, ELECTRICAL SHOCK, OR INJURY TO PERSONS, OBSERVE THE FOLLOWING:

1. Installation Work And Electrical Wiring Must Be Done By Qualified Person(s) In Accordance With All Applicable Codes And Standards, Including Fire-Rated Construction.
2. Sufficient air is needed for proper combustion and exhausting of gases through the flue (chimney) of fuel burning equipment to prevent backdrafting. Follow the heating equipment manufacturer's guideline and safety standards such as those published by the National Fire Protection Association (NFPA), and the American Society for Heating, Refrigeration and Air Conditioning Engineers (ASHRAE), and the local code authorities.

3. **When cutting or drilling into wall or ceiling, do not damage electrical wiring and other hidden utilities.**
4. **Ducted fans must always be vented to the outdoors.**

ALL WALL AND FLOOR OPENINGS WHERE THE RANGEHOOD IS INSTALLED MUST BE SEALED.

This rangehood requires at least 35" of clearance between the bottom of the rangehood and the cooking surface or countertop. This hood has been approved by UL at this distance from the cooktop.

Consult the cooktop or range installation instructions given by the manufacturer before making any cutouts. **MOBILE HOME INSTALLATION** The installation of this rangehood must conform to the Manufactured Home Construction and Safety Standards, Title 24 CFR, Part 3280 (formerly Federal Standard for Mobile Home Construction and Safety, Title 24, HUD, Part 280).

VENTING REQUIREMENTS

Determine which venting method is best for your application. Ductwork can extend either through the wall or the roof.

The length of the ductwork and the number of elbows should be kept to a minimum to provide efficient performance. The size of the ductwork should be uniform. Do not install two elbows together. Use duct tape to seal all joints in the ductwork system. Use caulking to seal exterior walls and ceiling space opening around the cap.

Flexible ductwork is not recommended. Flexible ductwork creates back pressure and air turbulence that greatly reduces performance.

Make sure there is proper clearance within the walls and ceiling space for exhaust duct before making cutouts. Do not cut a joist or stud unless absolutely necessary. If a joist or stud must be cut, then a supporting frame must be constructed.

WARNING - To Reduce The Risk Of Fire, Use Only Metal Ductwork.

CAUTION - To reduce risk of fire and to properly exhaust air, be sure to duct air outside – Do not vent exhaust air into spaces within walls or ceilings or into attics, crawl spaces, or garages.

Cold Weather installations

An additional back draft damper should be installed to minimize backward cold air flow and a nonmetallic thermal break should be installed to minimize conduction of outside temperatures as part of the vent system. The damper should be on the cold air side of the thermal break. The break should be as close as possible to where the vent system enters the heated portion of the house.



WARNING

- Venting system **MUST** terminate outside the home.
- **DO NOT** terminate the ductwork in an attic or other enclosed space.
- **DO NOT** use 4" laundry-type wall caps.
- Flexible-type ductwork is not recommended.
- **DO NOT** obstruct the flow of combustion and ventilation air.
- Failure to follow venting requirements may result in a fire.

ELECTRICAL REQUIREMENTS

A 120 volt, 60 Hz AC-only electrical supply is required on a separate 15 amp fused circuit. A time-delay fuse or circuit breaker is recommended. The fuse must be sized per local codes in accordance with the electrical rating of this unit as specified on the serial/rating plate located inside the unit near the field wiring compartment.

ELECTRICAL INSTALLATION WITH WIRING BOX

THIS UNIT MUST BE CONNECTED WITH COPPER WIRE ONLY. Wire sizes must conform to the requirements of the National Electrical Code, ANSI/NFPA 70 - latest edition, and all local codes and ordinances. Wire size and connections must conform with the rating of the appliance. Copies of the standard listed above may be obtained from:

National Fire Protection Association
Batterymarch Park
Quincy, Massachusetts 02269

This appliance should be connected directly to the fused disconnect (or circuit breaker) through flexible, armored or nonmetallic sheathed copper cable. Allow some slack in the cable so the appliance can be moved if servicing is ever necessary. A UL Listed, 1/2" conduit connector must be provided at each end of the power supply cable (at the appliance and at the junction box).

When making the electrical connection, cut a 1 1/4" hole. A hole cut through wood must be sanded until smooth. A hole through metal must have a grommet.



WARNING

- Electrical ground is required on this rangehood.
- If cold water pipe is interrupted by plastic, nonmetallic gaskets or other materials, DO NOT use for grounding.
- DO NOT ground to a gas pipe.
- DO NOT have a fuse in the neutral or grounding circuit. A fuse in the neutral or grounding circuit could result in electrical shock.
- Check with a qualified electrician if you are in doubt as to whether the rangehood is properly grounded.
- Failure to follow electrical requirements may result in a fire.

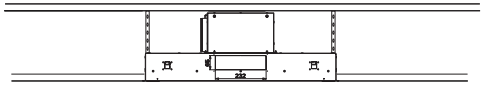
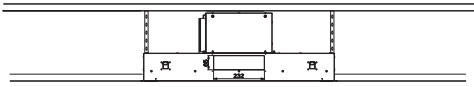
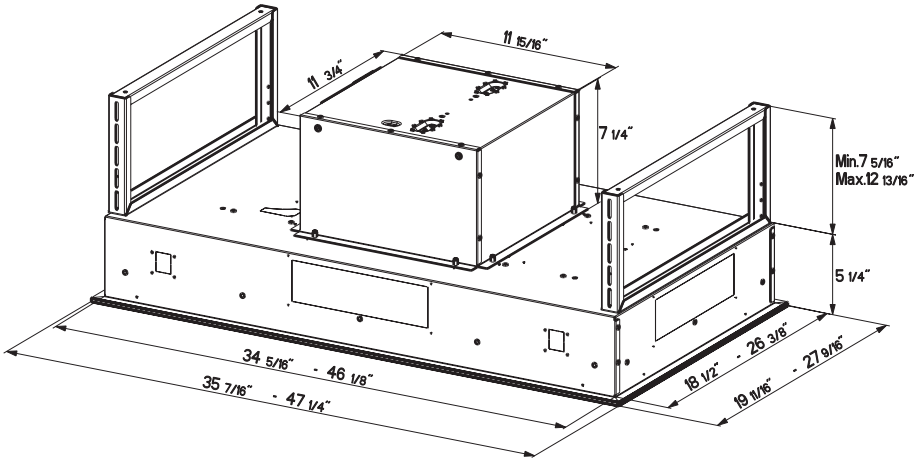
State of California Proposition 65 Warning (US only)

WARNING

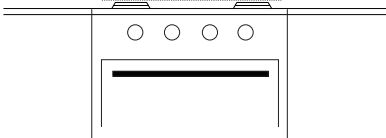
This product contains chemicals known to the State of California to cause cancer and birth defects or other reproductive harm.

For more information go to www.P65Warnings.ca.gov

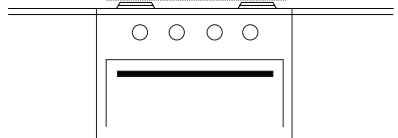
RANGEHOOD DIMENSIONS



Min. 35"



Max. 72"

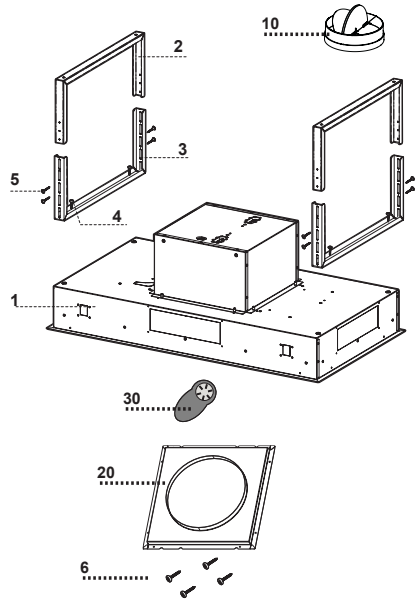


Recommended 60" mounting height above the cooking surface for best performance, but can be mounted up to 72" maximum away the cooking surface.

MAIN PARTS

Components

Ref.	Qty.	Product Components
1	1	Hood Body, complete with: Controls, Lights, Filters.
2	2	Upper fixing Hood Brackets
3	2	Bottom fixing Hood Brackets
10	1	Damper \varnothing 5 7/8"
20	1	Flange 10"(Not Included)
30	1	Remote Control
Ref.	Qty.	Installation Components
4	4	Screws 1/4" x 9/16"
5	8	Screws 1/8" x 3/8"
6	4	Screws 1/8" x 1/4"
Qty.	Documentation	
1	1	Instruction Manual



“CAUTION - To Reduce The Risk Of Fire And Electric Shock, Install This Rangehood Only With Remote Blower Models RB900 or RB1200 Manufactured by Faber Or Integral Blowers Manufactured by Faber, Model(s) IB600 kit, IB400 kit, IB300 or generic remote blower rated max 2,7A suitable for use with solid state speed control.

Parts needed

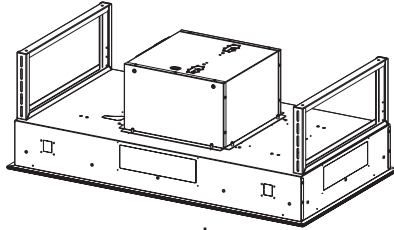
- 6" Round Metal ductwork

Available Accessories

Activated Charcoal Filter Accessory - sku#: FILTER 1
 Internal 600 PRO Blower sku#: IB600 kit
 Internal 400 Blower sku#: IB400 kit
 Internal 300 Blower sku#: IB300
 Remote Blower 900 sku#: RB900
 Remote Blower 1200 sku#: RB1200
 10" Flange for Remote Blower sku# FLANGE10

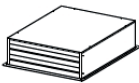
INSTALLATION

COMBINATIONS HOODS AND MOTOR KITS

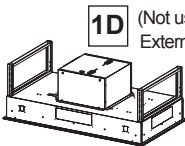


RB900 and RB1200
(remote blower)

IB600 kit, IB400 kit,
IB300
(internal blower)



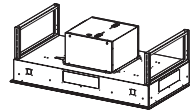
1B (Not needed with Stratus)



1D (Not used with 10" External Blowers)



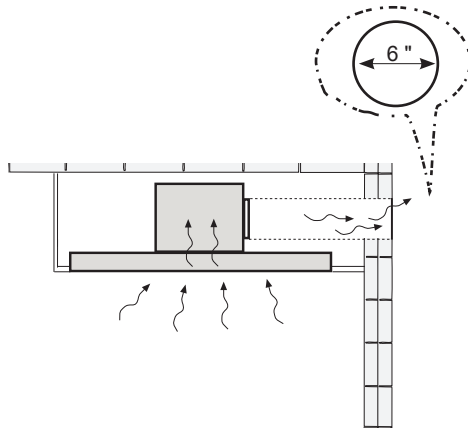
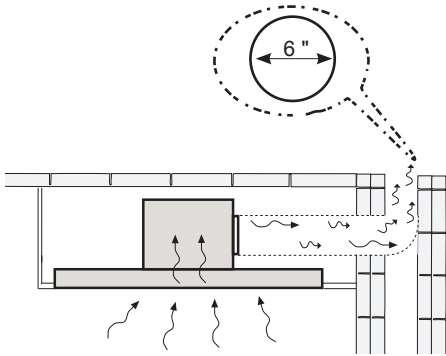
2B (Not needed with Stratus)



(Not needed with Stratus)

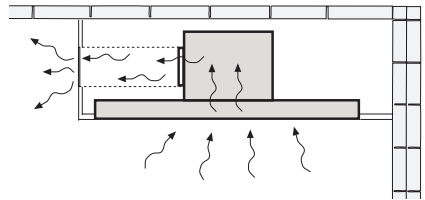
Choose your ducting method

Ducted Venting Options Installation



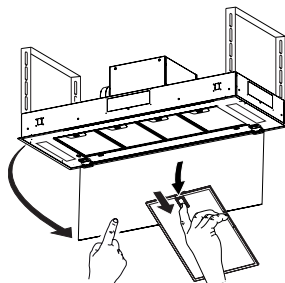
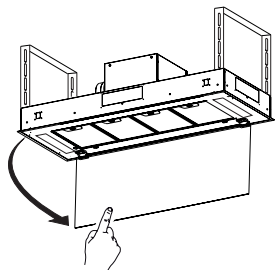
Non Ducted - Recirculation Option

Activated Charcoal Filter Accessory
FILTER1 required (Purchased separately).
Register cover for air duct exit is shown for
design - not included.

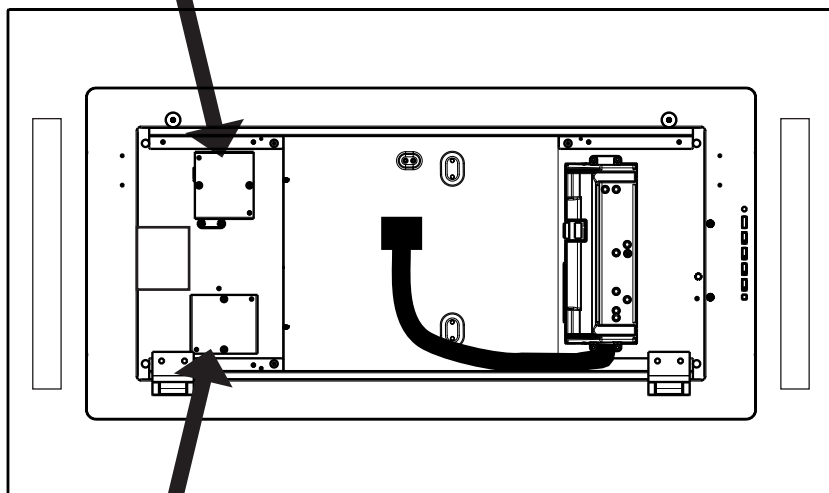


When used in recirculation mode,
To Reduce the Risk of Fire and
Shock use only conversion kit Model
FILTER1

Blower Cable Wiring Box & Power Supply Cable Wiring Box



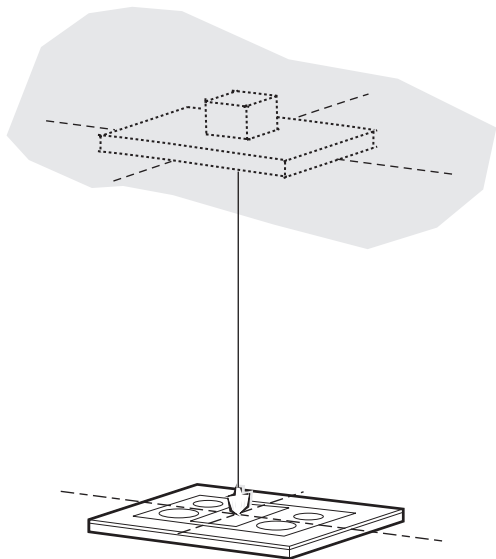
WIRING BOX 1 for connecting the Home power supply cable with the Hood.



WIRING BOX 2 for connecting the External Blower with the Hood.

Ceiling Hood Install Preparation

- 1 Do not make any cutouts until you have decided whether this installation will be ducted or non-ducted and then plan accordingly.



! WARNING

DUE TO THE SIZE AND WEIGHT OF THIS RANGEHOOD, THE SUPPORT MUST BE FIRMLY ATTACHED TO THE CEILING. For plaster or sheet rock ceiling, the support must be attached to the joists. If this is not possible, a support structure must be built behind the plaster or sheet rock. The manufacturer assumes no responsibility for injury or damage caused by improper installations.

Put a thick, protective covering over cooktop to protect from damage or dirt.

Determine and clearly mark with a pencil on the ceiling where the rangehood will be installed.

Determine and make necessary cuts for the ductwork. The duct opening is shown on the mounting template.

Install ductwork before mounting the hood.

Determine the proper location for the Power Supply Cable as indicated on the template.

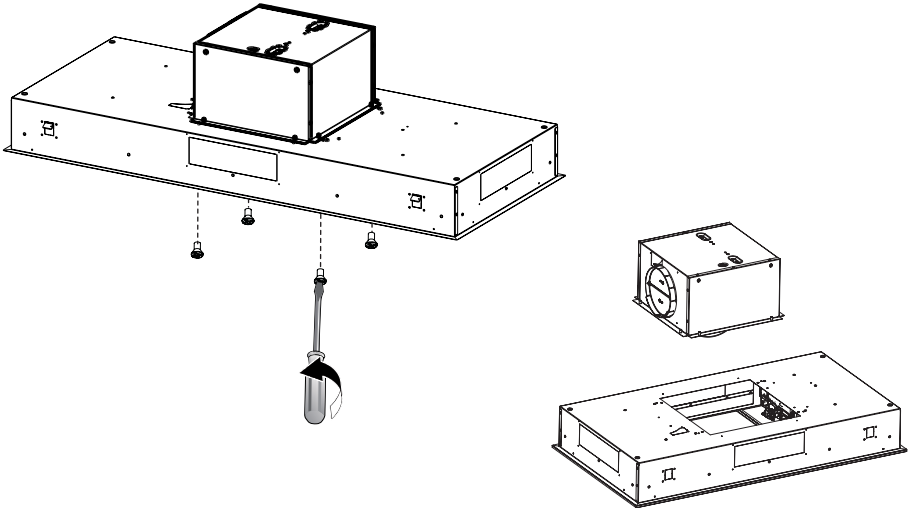
Use a 1 1/4" Drill Bit to make this hole. Run the Power Supply Cable. Use caulking to seal around the hole.

A knockout for threading through the Power Supply from the ceiling is located on the top of the frame. Do not connect the Power Cable to the Wiring Box or power up the hood at this time. Run enough power cable from the ceiling to reach the wiring box on the hood.

External Blower Installation 10"

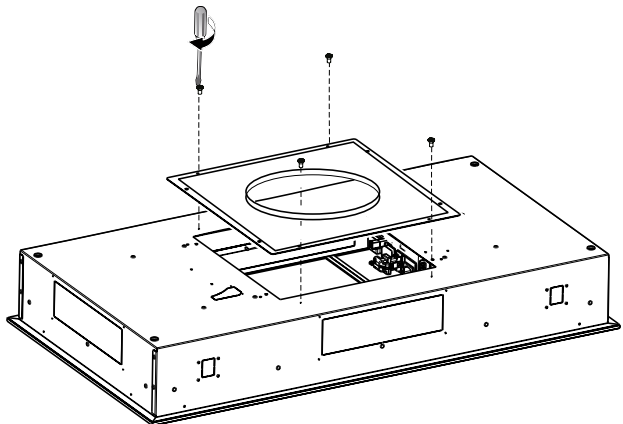
If you use the remote blower kit, RB900 or RB1200, please throw away the flange (1B) given with the remote blower kit, shown on page 7.

2



Unfasten the 4 screws to dismount the Blower Box from the hood body and to save screws. The Blower Box is not used for Remote Blower installation and can be discarded or saved for future use if converted to Internal Blower.

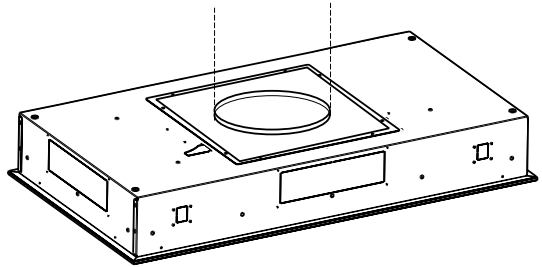
3



Fix the 10"
flange(#FLANGE10
-purchased separately)
with
the 4 screws provided in
the hardware bag as shown.

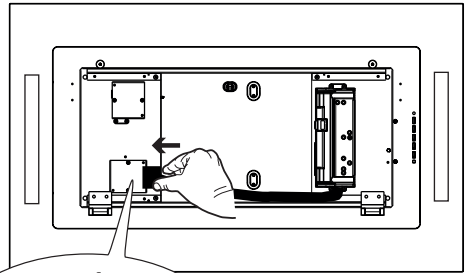
4

Connect the Hood body air outlet with the Remote Blower air outlet.

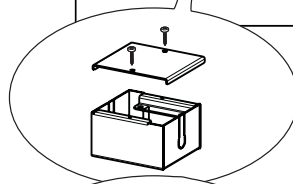


5

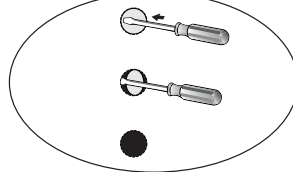
From Inside the Hood connect the Cable to the Wiring BOX as shown in the image to the right.



From Inside the Hood, remove the Cover from the wiring box 2 by removing two screws.



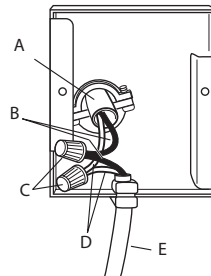
Break the correct hole in the Wiring Box for passing the cables from the remote blower.



Connect the cable from the Remote Blower with the two wires inside the Wiring Box by twist-on type wire connector and matching the color

Replace the field wiring compartment cover.

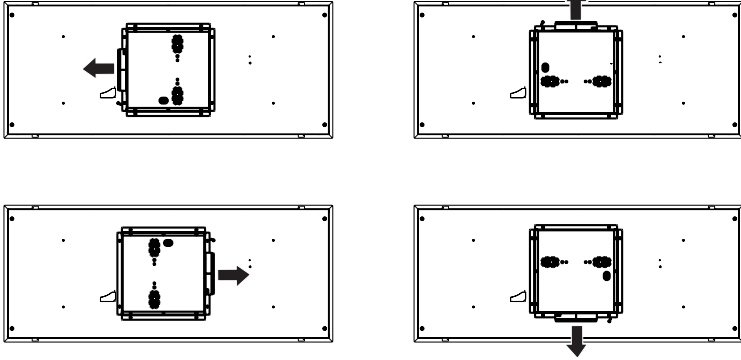
Check the Wiring Diagram.



External Blower Installation 6"

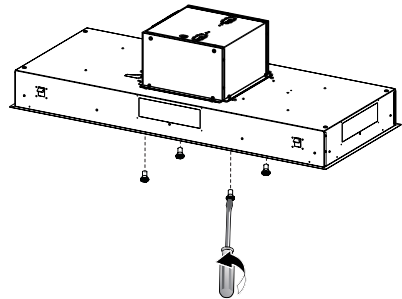
If you use the remote blower kit, RB900 or RB1200, please throw away the flange (1B) given with the remote blower kit 1 shown on page 7. With this installation there may be a performance degradation due to the transition from 6" to 10" of the Remote Blowers.

1



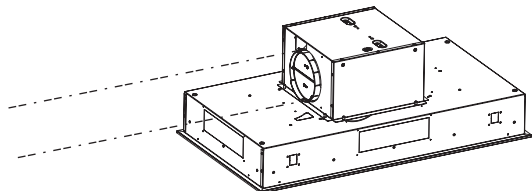
The Blower Box can be positioned in four different venting directions as shown. Choose the correct position for your installation.

If necessary the Blower Box is dismantled from the body as shown in the image to the right.



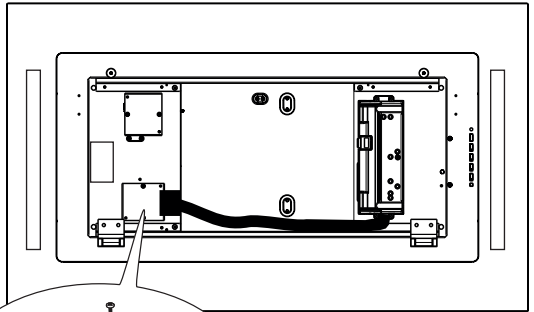
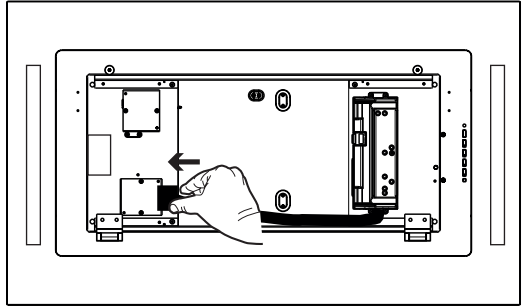
2

Connect the ducting from the Remote Blower to the Blower Box. Use clamps to secure (purchased separately).

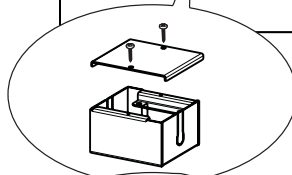


3

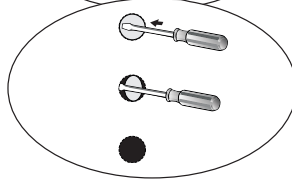
From Inside the Hood connect the cable to the Wiring BOX2.



From inside the hood, remove the cover from the Wiring Box 2 by removing the two screws.



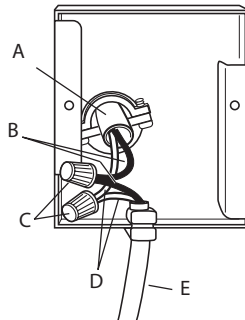
Break the hole in the Wiring Box for passing the cables from the remote blower.



Connect the cable from the Remote Blower with the two wire inside the Wiring Box by twist-on type wire connector and matching the color.

Replace the field wiring compartment cover.

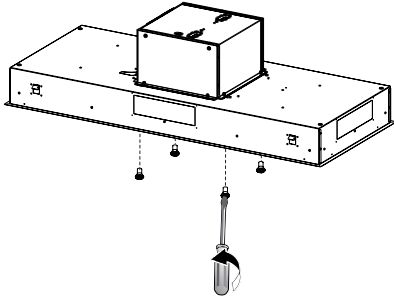
Check the Wiring Diagram.



Internal Blower Installation

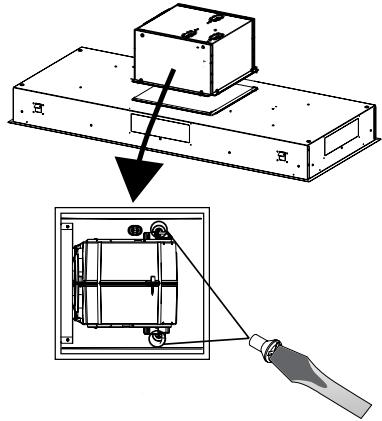
If you use the internal blower kit, IB600 kit or IB400 kit or IB300, please throw away the damper (A), the flange (2B) and the cable (E), given with the internal blower kit, shown on page 7.

2



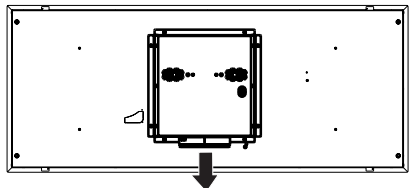
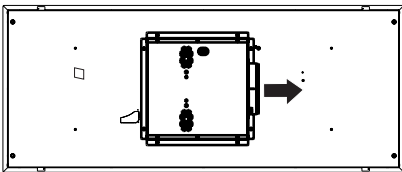
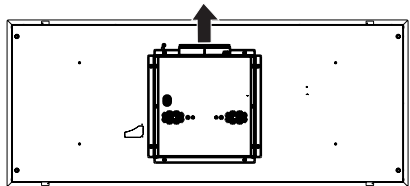
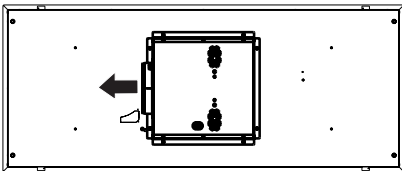
Unfasten the 4 screws to dismount the Box for the blower.

3



Position Internal Blower as shown into the removed Blower Box. Secure the Internal Blower in the Blower Box with the two screws provided with the Internal Blower.

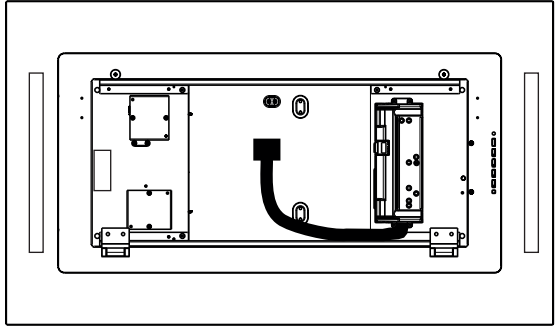
4



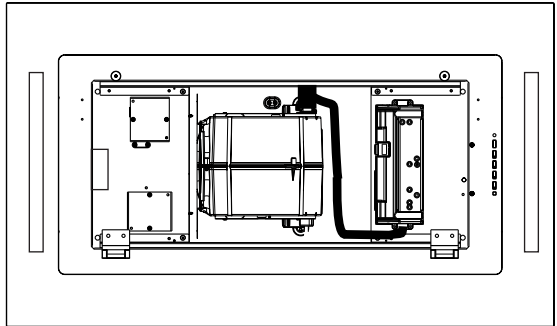
The blower can be positioned in four different venting directions as shown.

5

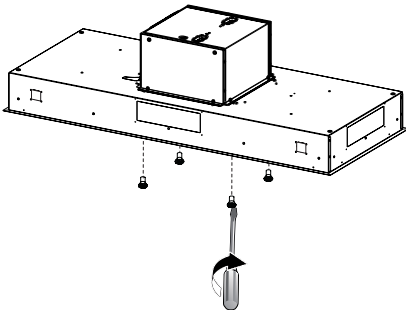
Connect the cable to the Motor.



After the Blower is mounted in the hood plug the Connector into the Blower



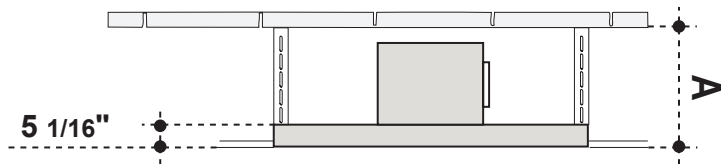
6



Fix the Box with the Blower with the same 4 screws removed previously.

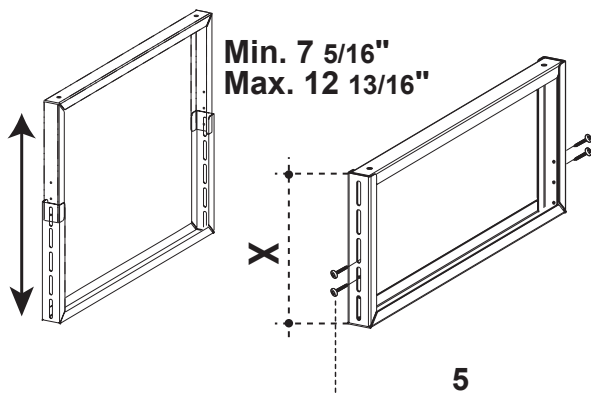
Assemble the Brackets

7



$$X = A - 5 \frac{1}{16}''$$

As shown, you have to accommodate for the height of the hood body into your space overhead. After determining bracket height use the #5 Screws from Component Page 6 to assemble brackets.



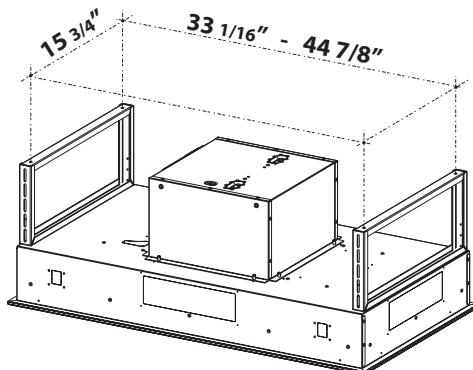
HOOD INSTALLATION BEFORE THE SOFFIT IS COMPLETED

8.a

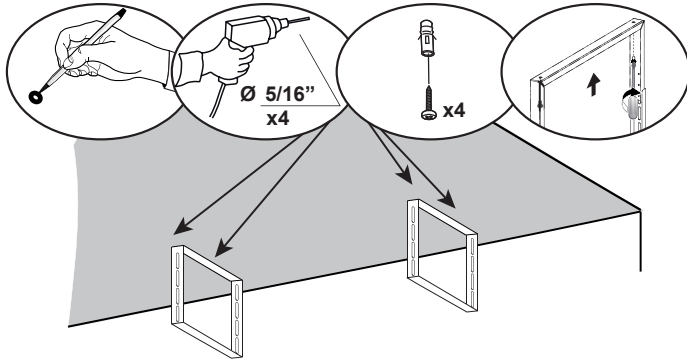
Ceiling Bracket Installation

See below for a detailed image on drilling the holes onto the fastening surface (inside ceiling or soffit) that will then be used to mount the bracket fixtures. The fasteners used must be compatible with the 5/16" hole and are purchased separately.

Hood		
36"	15 3/4"	33 1/16"
48"	15 3/4"	44 7/8"

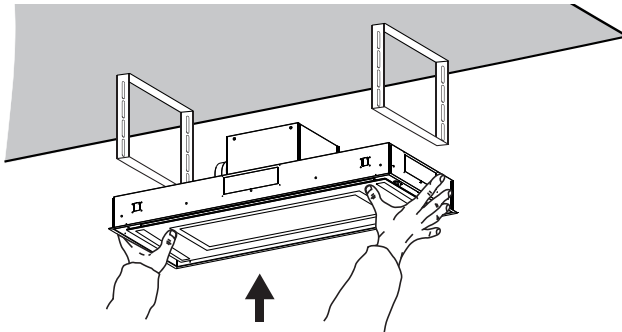


9.a



Use the brackets to mark your holes for location of the ceiling fasteners(purchased separately).

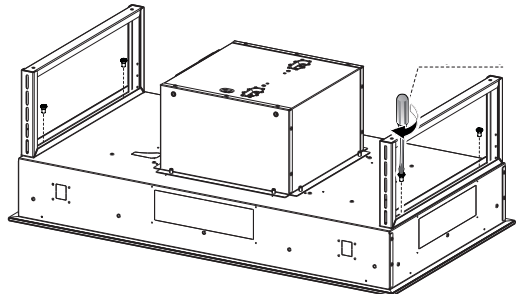
Use wall plugs or other securing hardware in conjunction with the ceiling fasteners (purchased separately).



10.a

Use the #4 Screws from the Component list on Page 6 to attach the hood body to the hood ceiling brackets.

Access is needed in the space above.

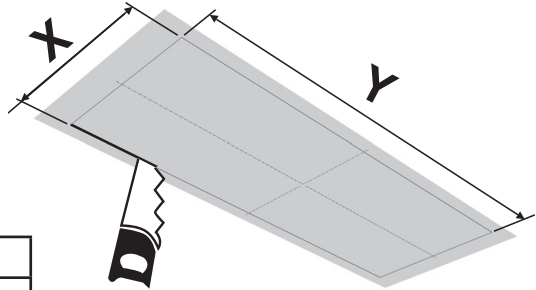


HOOD INSTALLATION AFTER THE SOFFIT IS COMPLETED

8.b

Ceiling Cutout for Soffit

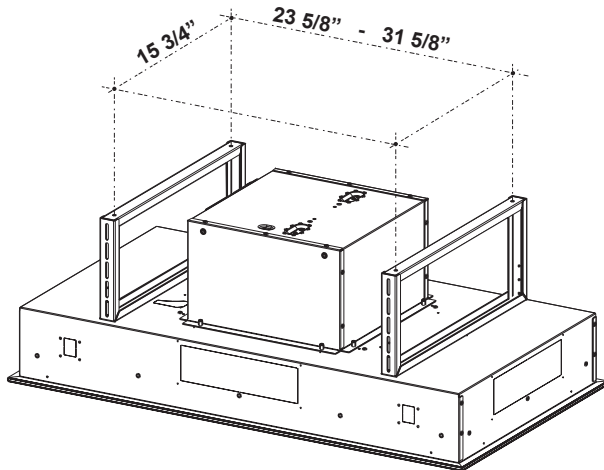
See image with dimensions for ceiling cutout.



Hood	X	Y
36"	18 11/16"	34 9/16"
48"	26 9/16"	46 3/8"

Ceiling Bracket Installation for Soffit

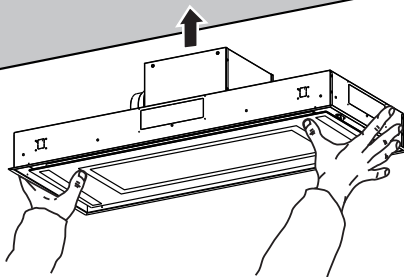
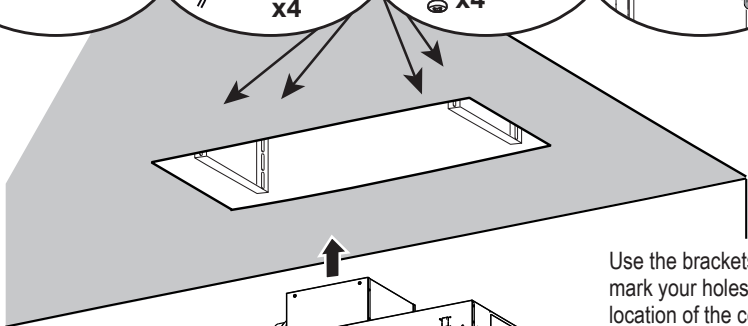
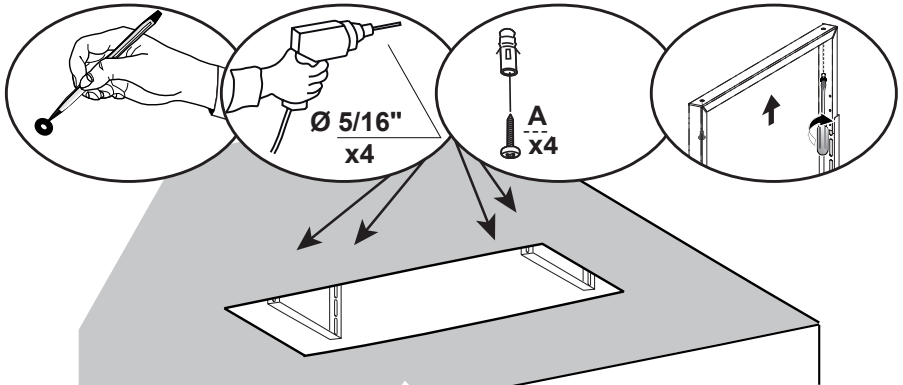
9.b



Hood		
36"	15 3/4"	23 5/8"
48"	15 3/4"	31 5/8"

See below for a detailed image on drilling the holes onto the fastening surface (inside ceiling or soffit) that will then be used to mount the bracket fixtures. The fasteners used must be compatible with the 5/16" hole and are purchased separately.

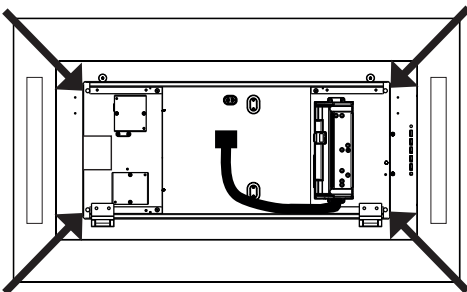
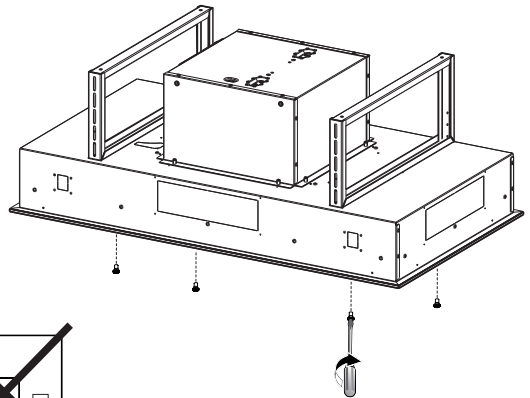
10.b

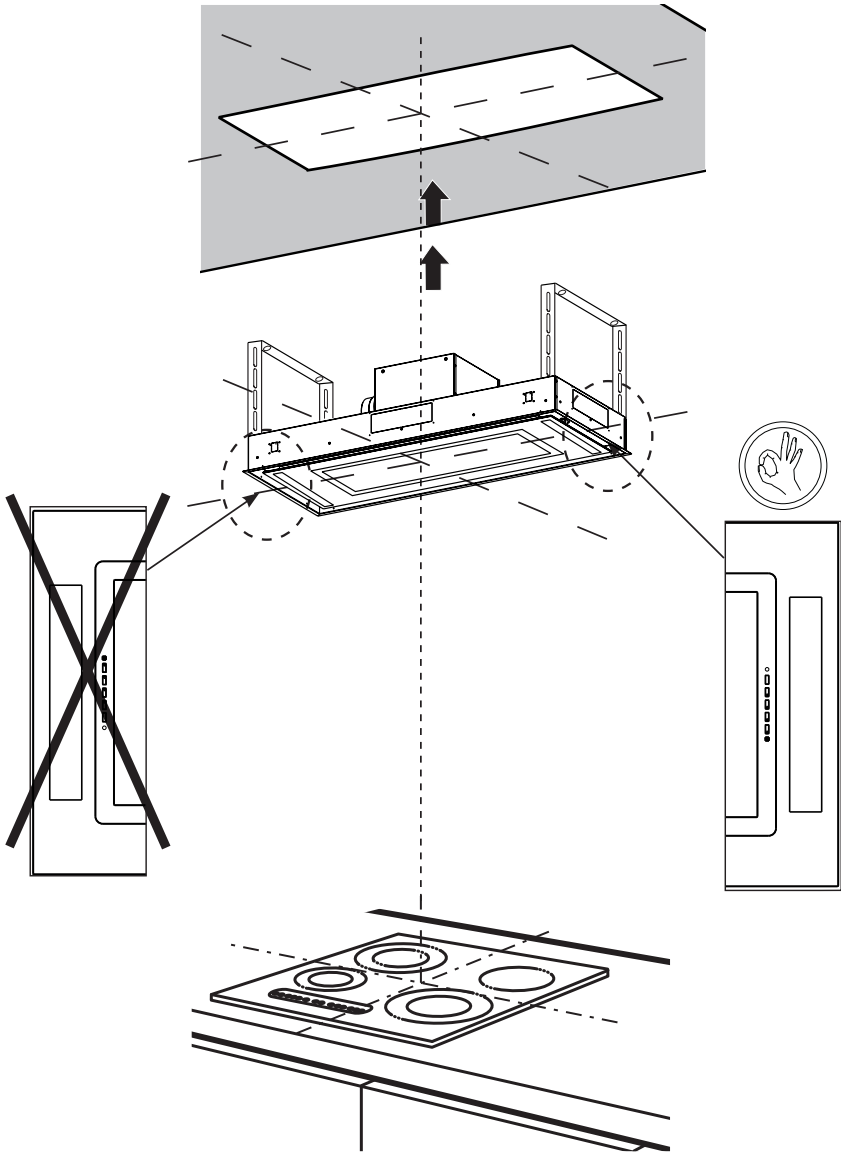


Use the brackets to mark your holes for the ceiling fasteners (purchased separately).

Use wall plugs or other securing hardware in conjunction with the ceiling fasteners (purchased separately).

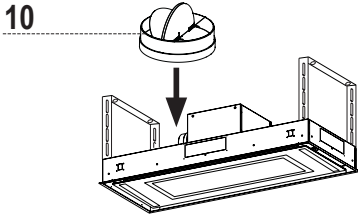
Use the #4 Screws from the Component list on Page 6 to attach the hood ceiling brackets from the bottom.



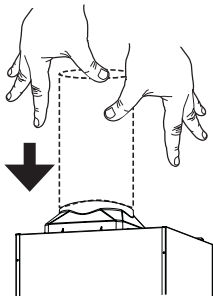


Install the hood with the control panel on the right as shown above.

Ducted Venting Installation

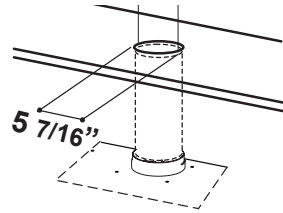


Install Damper that is included with the Hood before connecting to the ductwork.

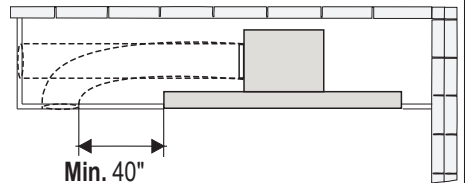


Connect the hood to the pipe for air outlet. Use duct tape to seal the joint.

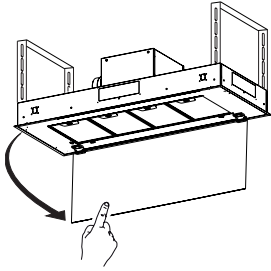
Non Ducted - Recirculation Option



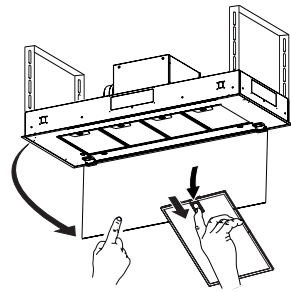
See the image above and below as two duct venting options for non-ducted recirculation back into the room.



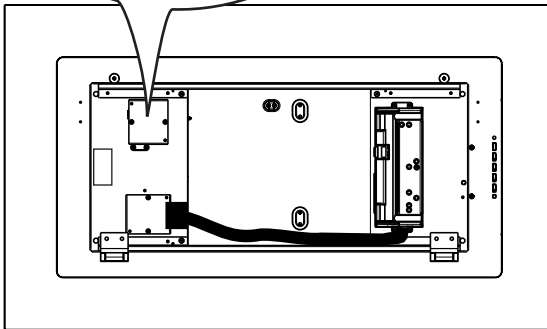
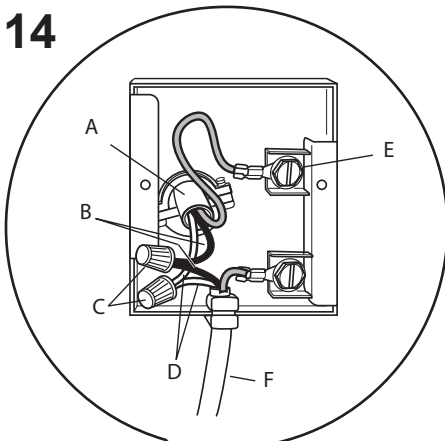
keep the return air duct at least 40" away from the side of the Stratus

12

Open the filter cover panel. The filter cover panel is held by a magnet catch, pull down with enough force to release as shown above.

13

Remove the grease filters one at a time, pushing them towards the back of the unit, and at the same time pulling downward and set aside.

14

Installation of wiring box connection 1

Remove the cover from the field wiring compartment. DO NOT turn on the power until installation is complete! Connect the Power Supply Cable to the rangehood. Connect the Green (Green and Yellow) ground wire under the Green grounding screw. Attach the White lead of the power supply to the White lead of the rangehood with a twist-on type wire connector. Attach the Black lead of the power supply to the Black lead of the rangehood with a twist-on type wire connector.

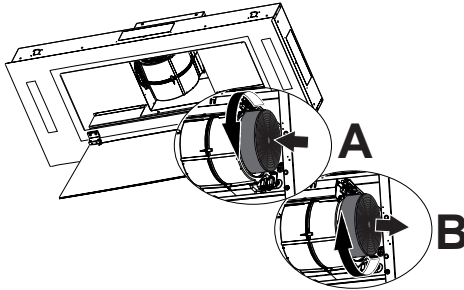
Replace the field wiring compartment cover and the grease filters.

Check the Wiring Diagram.

- A. Home power supply cable
- B. Black wires
- C. UL listed wire connectors
- D. White wires
- E. Green (or bare) ground wire from home power supply to be connected to green ground screw
- F. Range hood power supply cable

15

For Non-Ducted Recirculation Option

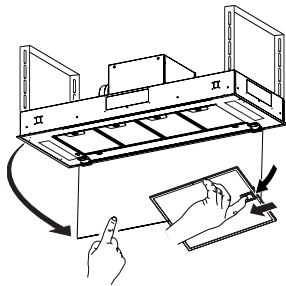


Attach each charcoal filter to the black grid on each side of the blower. Press the charcoal filter tightly to the black grid on the blower side and rotate the filter clockwise (towards the front of the insert hood) until it locks into place (A). Turn counterclockwise (towards the back of the insert hood) to remove (B).

Required Activated Charcoal Filter
Accessory - sku # - FILTER1
(purchased separately)

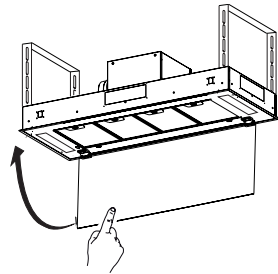


16



Replace the grease filters.

17

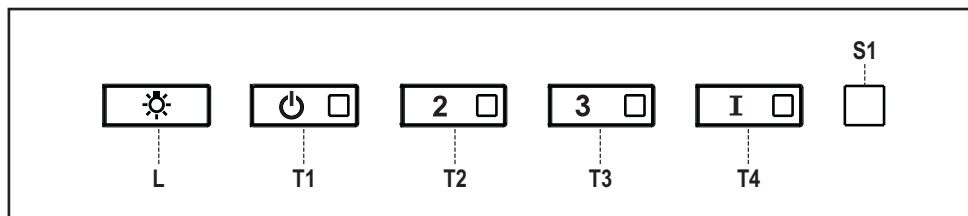


Close the filter cover panel.

USE AND CARE INFORMATION

For Best Results

Start the rangehood several minutes before cooking to develop proper airflow. Allow the rangehood to operate for several minutes after cooking is complete to clear all smoke and odors from the kitchen.

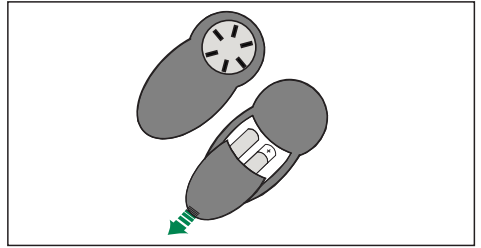








Button	Function	Led
L	Turns the lights on/off at maximum strength.	-
	Press and hold the button for approximately 2 seconds to turn the Dimmer Lights On/Off.	-
T1	Turns the motor on/off at speed one.	ON
	Delay function: Press and hold the button for approx. 3 seconds to Activate/Deactivate the Delay function (automatic switching off of the Motor, the Fans and the Lighting with a 30 min. delay). Cannot be enabled when Intensive is on.	
T2	Turns the Motor on at speed two.	ON
	Activated Charcoal Filter Alarm - Press and hold the button for approximately 5 seconds, with all the hood turned off (Motor and Lights), to turn the alarm on. The relevant LED flashes twice to confirm. To turn the alarm off, press the button again and hold for at least 5 seconds. The relevant LED flashes once.	
T3	Turns the Motor on at speed three.	ON
	Press and hold the button for approximately 3 seconds, with all the hood turned off (Motor and Lights), to perform a reset. The LED S1 flashes three times.	
T4	Turns the Motor on at INTENSIVE Speed.	ON
	This speed is timed to run for 6 minutes. At the end of this time, the system returns automatically to the speed that was set before. If it is activated with the motor turned off, the hood will switch to OFF at the end of the time.	
	Remote Control Activation Press and hold for 5 seconds to enable the remote control, indicated by the LED flashing twice. Press and hold for 5 seconds to disable the remote control, indicated by the LED flashing just once.	
S1	Signals the Metal Grease Filter saturation alarm, indicating that it is necessary to wash the filters. The alarm is triggered after the Hood has been in operation for 100 working hours. (Refer to Page 18 for Cleaning Filters and Reset of Filter Alarm)	ON
	When this is activated, it signals the Activated Charcoal Filter saturation alarm, indicating that the filter must be changed; the Metal Grease Filters must also be washed. The Activated Charcoal Filter saturation alarm comes into operation after the Hood has been working for 200 hours. (Refer to Page 18 for Cleaning Filters and Reset of Filter Alarm)	Flashing.

REMOTE CONTROL

The appliance can be controlled using a remote control powered by a 1.5 V carbon-zinc alkaline batteries of the standard LR03-AAA type (not included).

- Do not place the remote control near to heat sources.
- Used batteries must be disposed of in the proper manner.



	Motor	Motor On / Off
		Decreases the working speed each time it is pressed
		Increases the working speed each time it is pressed
	Intensive	Activates/Deactivates the Intensive function
	Delay	Activates/Deactivates the Delay function
	Light	Light On / Of
		Press for 2 seconds to Activate Dimmer.

Cleaning metal grease filters

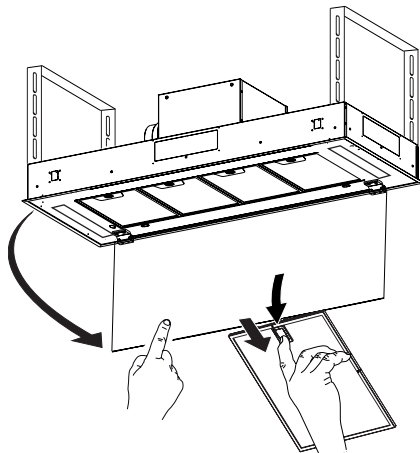
These can be washed in the dishwasher, and need to be cleaned whenever the S1 Led comes on or at least once every 2 months of use, or more frequently if use is particularly intensive.

Resetting the Grease Filter Alarm

- Turn the Lights and the Hood off.
- Press T3 and hold for at least 3 seconds, until LED flashes three times in confirmation.

Cleaning the Filters

- Open the Panel.
- Remove the Filters one at a time, pushing them towards the back of the unit and at the same time pulling downward.
- Wash the Filters without bending them, and leave them to dry completely before replacing. (If the surface of the filter changes color as time goes by, this will have absolutely no effect on the efficiency of the filter itself.)
- Replace the grease filters, taking care to ensure that the handle faces forward
- Close the Panel.
- 4 Filters - 48" model, 3 Filters - 36" model.



Replacing Activated Charcoal Filter

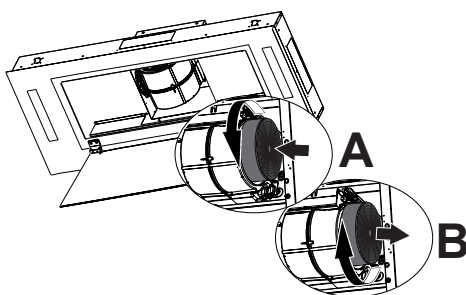
They cannot be washed or regenerated, and must be changed when led S1 starts to flash, or at least once every 6 months. The Alarm signal, if it has been activated, only appears when the Hood Blower is turned on.

Resetting the alarm signal

- Turn the Lights and the Hood Blower off.
- Press T3 and hold for at least 3 seconds, until LED flashes three times in confirmation.

Cleaning the Filters

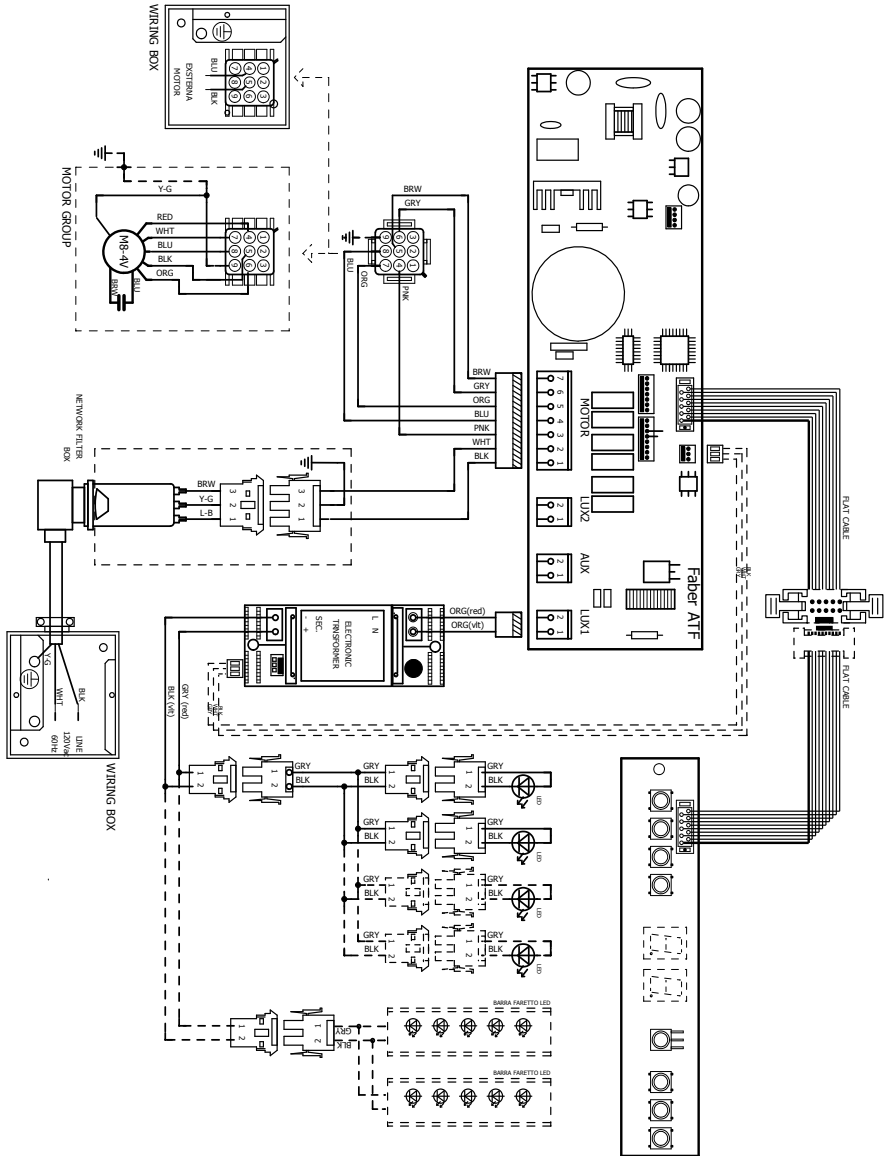
- Open the Panel.
- Remove the Metal Grease Filter.
- Remove the saturated Activated Charcoal Filters, as indicated (A).
- Fit the new Filters, as indicated (B).
- Replace the Metal grease filters.
- Close the Panel.



Lighting unit

- LED lights must be replaced by Faber factory authorized service.

Wiring Diagram





FABER CONSUMER WARRANTY & SERVICE

All Faber products are warranted against any defect in materials or workmanship for the original purchaser for a period of 1 year from the date of original purchase (requires proof of purchase). This warranty covers labor and replacement parts. Faber, at its option, may repair or replace the product or components necessary to restore the product to good working condition. To obtain warranty service, contact the dealer from whom you purchased the range hood, or the local Faber distributor. If you cannot identify a local Faber distributor, contact us at (508) 358-5353 for the name of a distributor in your area.

The following is not covered by Faber's warranty:

1. Service calls to correct the installation of your range hood, to instruct you how to use your range hood, to replace or repair house fuses or to correct house wiring or plumbing.
2. Service calls to repair or replace range hood light bulbs, fuses or filters. Those consumable parts are excluded from warranty coverage.
3. Repairs when your range hood is used for other than normal, single-family household use.
4. Damage resulting from accident, alteration, misuse, abuse, fire, flood, acts of God, improper installation, installation not in accordance with electrical or plumbing codes or Faber documentation, or use of products not approved by Faber.
5. Replacement parts or repair labor costs for units operated outside the United States or Canada, including any non-UL or C-UL approved Faber range hoods.
6. Repairs to the hood resulting from unauthorized modifications made to the range hood.
7. Expenses for travel and transportation for product service in remote locations and pickup and delivery charges. Faber range hoods should be serviced in the home.

THIS WARRANTY DOES NOT ALLOW RECOVERY OF INCIDENTAL OR CONSEQUENTIAL DAMAGES, INCLUDING, WITHOUT LIMITATION, DIRECT, INDIRECT, INCIDENTAL, SPECIAL OR CONSEQUENTIAL DAMAGES, PERSONAL INJURY/WRONGFUL DEATH OR LOST PROFITS FABER WARRANTY IS LIMITED TO THE ABOVE CONDITIONS AND TO THE WARRANTY PERIOD SPECIFIED HEREIN AND IS EXCLUSIVE. EXCEPT AS EXPRESSLY SPECIFIED IN THIS AGREEMENT, FABER DISCLAIMS ALL EXPRESS OR IMPLIED CONDITIONS, REPRESENTATIONS, AND WARRANTIES INCLUDING, WITHOUT LIMITATION, ANY IMPLIED WARRANTIES OF MERCHANTABILITY OR FITNESS FOR A PARTICULAR PURPOSE.

This warranty gives you specific legal rights that may vary from state to state.

Model#: _____

Serial #: _____

January 4, 2016

VEUILLEZ LIRE ET CONSERVER LA PRÉSENTE NOTICE AVANT DE COMMENCER L'INSTALLATION DE LA HOTTE DE CUISINE

AVERTISSEMENT : - POUR RÉDUIRE LE RISQUE D'UN FEU DE GRAISSE SUR LA TABLE DE CUISSON :

- a) Ne laissez jamais sans surveillance les éléments de la surface de cuisson à température élevée. Les bouillonnements excessifs peuvent provoquer de la fumée et les débordements de graisse peuvent s'enflammer. L'huile doit être chauffée lentement, à une température basse ou moyenne.
- b) Assurez-vous de toujours mettre en marche la hotte lorsque vous cuisinez à température élevée ou préparez un mets flambé (p.ex. crêpes Suzette, cerises jubilé, bœuf flambé).
- c) Nettoyez régulièrement les ventilateurs d'aspiration. Assurez-vous de ne pas laisser de la graisse s'accumuler sur le ventilateur ou le filtre.
- d) Utilisez toujours des poêles et casseroles de la taille appropriée. Utilisez toujours des ustensiles de cuisine de la taille adaptée à celle de l'élément chauffant.

AVERTISSEMENT : - POUR PRÉVENIR LES BLESSURES EN CAS DE FEU DE GRAISSE SUR LA TABLE DE CUISSON, SUIVEZ LES RECOMMANDATIONS SUIVANTES* :

- a) **ÉTOUFFEZ LES FLAMMES** à l'aide d'un couvercle hermétique, d'une plaque à biscuits ou d'un plateau métallique, puis éteignez le brûleur. FAITES ATTENTION AUX BRÛLURES. Si le feu ne s'éteint pas immédiatement, QUITTEZ LES LIEUX ET APPELEZ LES POMPIERS.
- b) **NE PRENEZ JAMAIS UNE CASSEROLE EN FLAMME** - Vous pourriez vous brûler.
- c) **N'UTILISEZ JAMAIS DE L'EAU**, ni un linge à vaisselle ou un torchon mouillé, pour éteindre le feu. Cela pourrait provoquer une violente explosion de vapeur.
- d) Utilisez un extincteur **UNIQUEMENT** si :
 1. Vous êtes certain qu'il s'agit d'un extincteur de classe ABC et que vous connaissez bien son mode d'emploi.
 2. Le feu est de faible intensité et se limite à l'endroit où il a démarré.
 3. Les pompiers ont déjà été appelés.
 4. Une voie de sortie se trouve derrière vous pendant que vous éteignez les flammes.

* D'après le guide « Kitchen Firesafety Tips » publié par la NFPA aux États-Unis

AVERTISSEMENT - POUR RÉDUIRE LE RISQUE D'INCENDIE OU DE CHOC ÉLECTRIQUE, n'utilisez jamais ce ventilateur en association avec un dispositif de réglage de vitesse à semi-conducteurs.

AVERTISSEMENT - POUR RÉDUIRE LES RISQUES D'INCENDIE, DE CHOC ÉLECTRIQUE OU DE BLESSURE CORPORELLE, RESPECTEZ LES INSTRUCTIONS SUIVANTES :

1. Utilisez cet appareil uniquement de la façon prévue par le fabricant. Pour toute question, communiquez avec le fabricant.
2. Avant de procéder à l'entretien ou au nettoyage de l'appareil, coupez l'alimentation au niveau du panneau électrique et verrouillez-le pour vous assurer que l'électricité n'est pas rétablie accidentellement. S'il n'est pas possible de verrouiller le dispositif d'interruption de l'alimentation, affichez de façon ferme et bien visible un avis de danger, par exemple à l'aide d'une étiquette sur le panneau.

ATTENTION : Destiné à un usage de ventilation générale uniquement. N'utilisez pas ce dispositif pour l'aspiration de vapeurs ou de matériaux dangereux ou explosifs.

AVERTISSEMENT - POUR RÉDUIRE LES RISQUES D'INCENDIE, DE CHOC ÉLECTRIQUE OU DE BLESSURE CORPORELLE, RESPECTEZ LES INSTRUCTIONS SUIVANTES :

1. L'installation et le branchement électrique doivent être réalisés par un technicien qualifié et conformément à tous les codes et normes en vigueur, incluant ceux concernant la construction à l'épreuve du feu.
2. Afin de garantir une combustion et une évacuation adéquates des gaz par les conduites de la cheminée des appareils à combustion, une bonne aération est nécessaire pour éviter le refoulement. Respectez les lignes directrices fournies par le fabricant du matériel chauffant, ainsi que les normes de sécurité comme celles publiées par la National Fire Protection Association (NFPA) et la American Society for Heating, Refrigeration and Air Conditioning Engineers (ASHRAE) aux États-Unis, ainsi que les codes en vigueur dans votre région.

3. Lorsque vous faites une ouverture ou percez dans un mur ou le plafond, veillez à ne pas endommager les fils électriques ou d'autres dispositifs cachés.
4. Les ventilateurs canalisés doivent toujours être raccordés à l'extérieur.

TOUTE OUVERTURE DANS LE MUR OU LE PLANCHER À PROXIMITÉ DE LA HOTTE DOIT ÊTRE SCELLÉE.

Un espace libre d'au moins 35" est requis entre le bas de la hotte et la surface de cuisson ou le comptoir. Cette hotte a été homologuée par l'UL à cette distance de la surface de cuisson.

Consultez la notice d'installation de la surface de cuisson ou de la cuisinière fournie par le fabricant avant de pratiquer des ouvertures. **INSTALLATION DANS UNE MAISON MOBILE** L'installation de cette hotte doit être conforme à la Partie 3280 de la norme Manufactured Home Construction and Safety Standards, Title 24 CFR (précédemment la partie 280 de la norme Federal Standard for Mobile Home Construction and Safety, Title 24, HUD).

CRITÈRES DE VENTILATION

Déterminez quelle méthode de ventilation est mieux adaptée à votre application. Les conduits peuvent passer par le mur ou le toit.

Pour garantir une meilleure efficacité, la longueur des conduits et le nombre de coudes doivent être le plus limités que possible. Le diamètre des conduits devrait être uniforme. N'installez pas deux coudes ensemble. Utilisez un ruban pour canalisations afin de sceller tous les joints du système de conduits. Utilisez un calfeutrage pour sceller les ouvertures dans le mur extérieur ou le plafond, autour du clapet.

Il n'est pas recommandé d'utiliser des conduits flexibles. Les conduits flexibles provoquent une contre-pression et de la turbulence qui diminuent grandement l'efficacité de l'appareil.

Assurez-vous que l'espace libre dans le mur ou le plafond est suffisant pour le conduit d'évacuation avant de pratiquer les ouvertures. Ne coupez jamais une poutre ou un chevron, sauf si c'est absolument nécessaire. S'il s'avère nécessaire de couper une poutre ou un chevron, la construction d'un renforcement est requise.

AVERTISSEMENT - Pour réduire le risque d'incendie, utilisez uniquement des conduits métalliques.

ATTENTION - Pour réduire le risque d'incendie et pour évacuer adéquatement l'air, assurez-vous de raccorder les conduits à l'extérieur – Ne diffusez pas l'air d'évacuation dans des espaces à l'intérieur des murs ou du plafond, ou encore à l'intérieur d'un grenier, d'une galerie technique ou d'un garage.

Installation dans les climats froids

Le système de ventilation doit prévoir un registre antirefoulement supplémentaire pour réduire le flux d'air froid inverse, ainsi qu'une barrière thermique non métallique pour réduire la conduction des températures extérieures. Le registre doit être installé du côté air froid par rapport à la barrière thermique. La barrière thermique doit être positionnée le plus près que possible de l'endroit où le système de ventilation pénètre dans la partie chauffée de la maison.



AVERTISSEMENT

- Le système de ventilation DOIT déboucher à l'extérieur.
- **NE FAITES PAS** déboucher les conduits dans un grenier ou un autre endroit fermé.
- **N'UTILISEZ PAS** un clapet de sècheuse mural de 4".
- Il n'est pas recommandé d'utiliser des conduits flexibles.
- **N'ENTRAVEZ PAS** le flux de l'air de combustion et de ventilation.
- Le non-respect des exigences en matière de ventilation pourrait entraîner un incendie.

FICHE TECHNIQUE ÉLECTRIQUE

Une alimentation de courant alternatif de 120 volts à 60 Hz est requise sur un circuit à fusible distinct de 15 ampères. Il est recommandé d'installer un fusible temporisé ou un disjoncteur. Le fusible doit être calibré conformément aux codes en vigueur pour les caractéristiques nominales électriques de l'appareil, indiquées sur la plaque signalétique située à l'intérieur de l'appareil, à proximité du compartiment des câblages externes.

INSTALLATION ÉLECTRIQUE AVEC BOÎTIER DE CONNEXION

CET APPAREIL DOIT ÊTRE UNIQUEMENT BRANCHÉ À L'AIDE DE FILS DE CUIVRE. Le calibre des fils doit être conforme aux critères de la dernière édition du National Electrical Code, de l'ANSI/NFPA 70 et de l'ensemble des codes et réglementations en vigueur. Le calibre des fils et les connexions doivent être adaptés aux caractéristiques nominales de l'appareil. Il est possible de se procurer un exemplaire des normes indiquées ci-dessus en communiquant avec :

National Fire Protection Association
Batterymarch Park
Quincy, Massachusetts 02269 (États-Unis)

Cet appareil devrait être branché directement au sectionneur à fusible (ou au disjoncteur) par un câble flexible de cuivre avec blindage ou gaine non métallique. Laissez un peu de jeu dans le câble pour permettre le déplacement de l'appareil si des travaux d'entretien s'avéraient nécessaires. Un raccord de conduit homologué par l'UL de 1/2" doit être installé aux deux extrémités du câble d'alimentation (au niveau de l'appareil et de la boîte de liaison).

Lors de la réalisation du branchement électrique, réalisez un trou de 1 1/4". S'il s'agit d'un trou dans le bois, il doit être poncé pour le rendre lisse. S'il s'agit d'un trou dans le métal, un passe-fils est requis.



AVERTISSEMENT

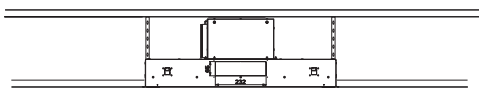
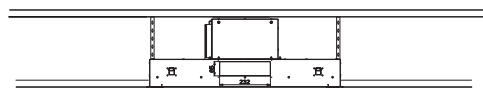
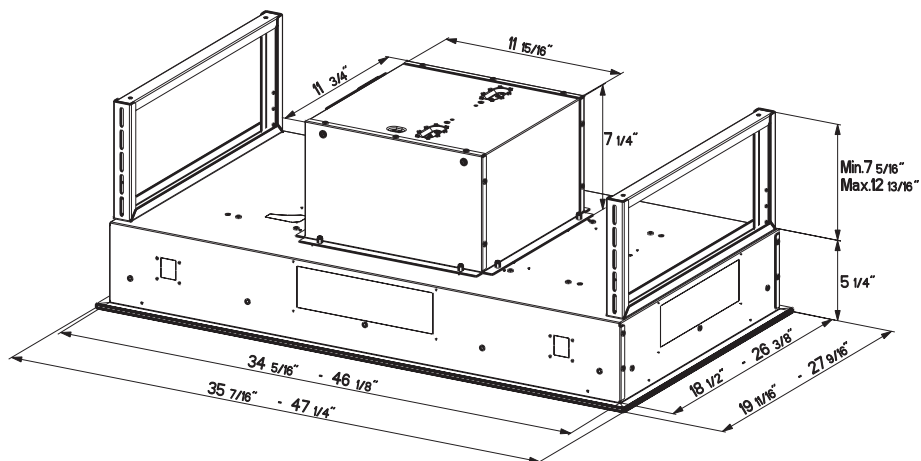
- Une mise à la terre électrique est requise pour cette hotte.
- N'UTILISEZ PAS un tuyau d'eau froide pour la mise à la terre si celui-ci est branché par des joints en plastique, par des rondelles non métalliques ou d'autres matériaux.
- N'UTILISEZ PAS une conduite de gaz pour la mise à la terre.
- N'INSTALLEZ PAS un fusible sur le circuit neutre ou le circuit de mise à la terre. La présence d'un fusible dans le circuit neutre ou de mise à la terre peut entraîner un choc électrique.
- Consultez un électricien qualifié si vous n'êtes pas certain de la mise à la terre de la hotte.
- Le non-respect des exigences de la fiche technique électrique pourrait entraîner un incendie.

Avertissement de la proposition 65 de l'État de Californie (US seulement)

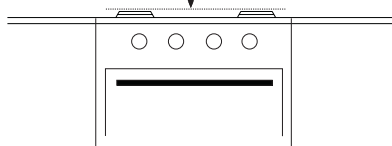
ATTENTION

Ce produit contient des produits chimiques connus de l'État de Californie pour causer le cancer et des malformations congénitales ou d'autres problèmes de reproduction. Pour plus d'informations, visitez www.P65Warnings.ca.gov

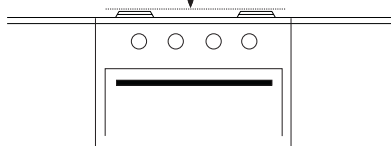
DIMENSIONS DE LA HOTTE



Min. 35"



Max. 60"



Hauteur de montage recommandée de 60" au-dessus du poêle pour de meilleures performances, mais peut être monté jusqu'à 72" maximum du poêle.

PIÈCES PRINCIPALES

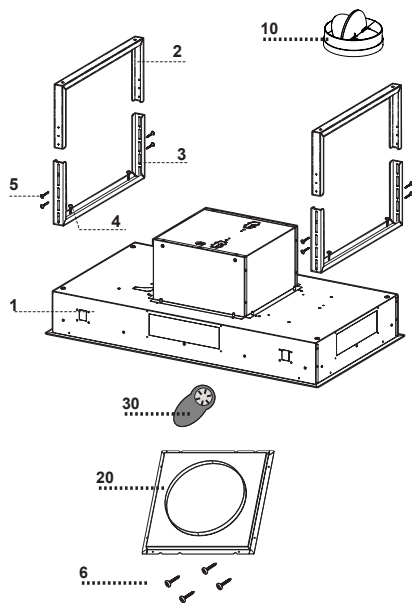
Composants

Réf.	Qté	Composants du produit
1	1	Bâti de la hotte, avec : Commandes, éclairages, filtres.
2	2	Brides de fixation de hotte supérieures
3	2	Brides de fixation de hotte inférieures
10	1	Registre \varnothing 5 7/8"
20	1	Flasque 10"(non inclus)
30	1	Télécommande

Réf.	Qté	Composants d'installation
4	4	Vis 1/4" x 9/16"
5	8	Vis 1/8" x 3/8"
6	4	Vis 1/8" x 1/4"

Qté Documentation

1 Mode d'emploi



ATTENTION - Pour réduire le risque d'incendie ou de choc électrique, installez cette hotte uniquement avec les ventilateurs à distance RB900 ou RB1200, fabriqués par Faber, ou encore avec les ventilateurs intégraux fabriqués par Faber (modèles IB600 kit, IB400 kit ou IB300), ou encore avec un ventilateur à distance générique ayant une valeur nominale maximale de 2,7 A et compatible avec une commande de vitesse à semi-conducteur.

Pièces requises

- Conduit métallique 6" circulaire

Accessoires disponibles

Filtre à charbon actif accessoire - no d'article FILTER 1

Ventilateur interne 600 PRO, no d'article IB600 kit

Ventilateur interne 400, no d'article IB400 kit

Ventilateur interne 300, no d'article IB300

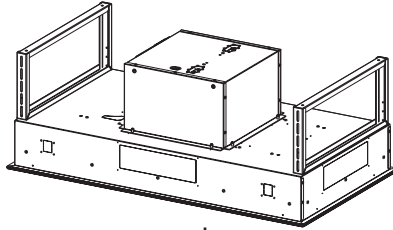
Ventilateur à distance 900, no d'article RB900

Ventilateur à distance 1200, no d'article RB1200

Flasque 10

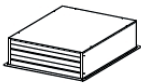
INSTALLATION

ENSEMBLES HOTTE ET TROUSSE MOTEUR

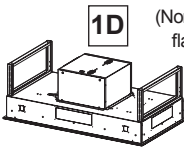


RB900 et RB1200
(Ventilateur à distance)

IB600 kit, IB400 kit,
IB300
(ventilateur interne)



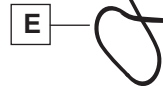
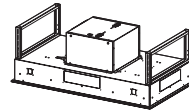
1B (Pas nécessaire avec Stratus)



1D (Non utilisé avec les soufflantes externes 10")



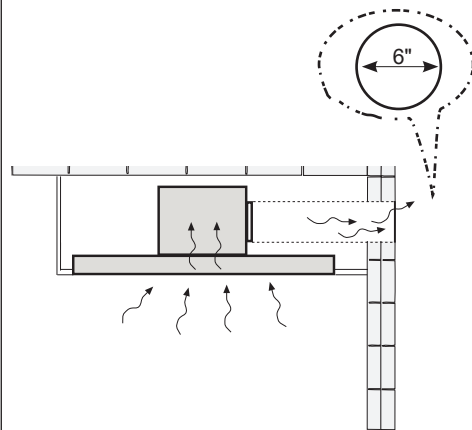
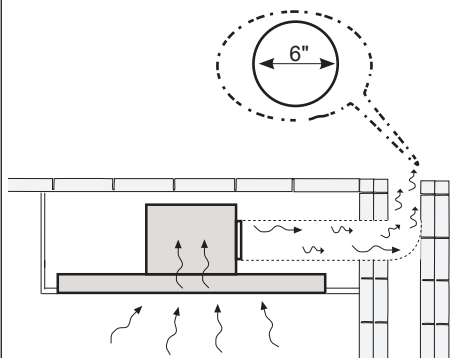
2B (Pas nécessaire avec Stratus)



E (Pas nécessaire avec Stratus)

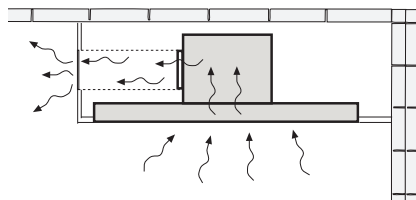
Choisissez la méthode de canalisation

Options d'installation avec ventilation canalisée



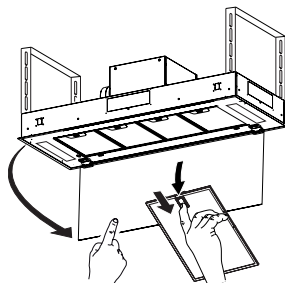
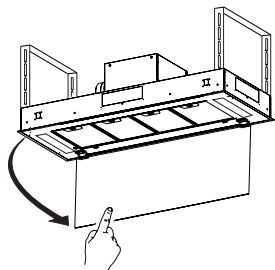
Option sans canalisation, avec recyclage d'air

Filtre à charbon actif accessoire FILTER1 requis (acheté séparément). Le couvercle du registre de la sortie d'air est illustré à titre indicatif; il n'est pas inclus.

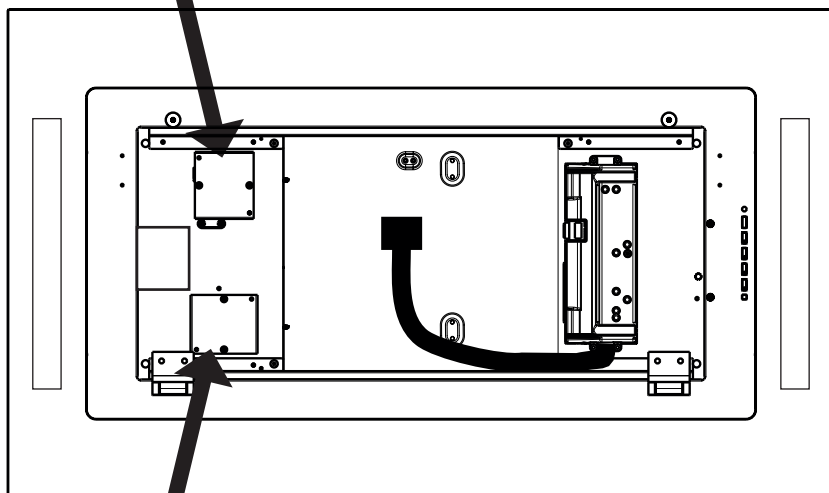


Pour réduire le risque d'incendie ou de choc électrique, lorsque l'appareil est utilisé en mode recyclage, utilisez uniquement la trousse de conversion modèle FILTER1

Boîtier de connexion du câble du ventilateur et boîtier de connexion du câble d'alimentation électrique



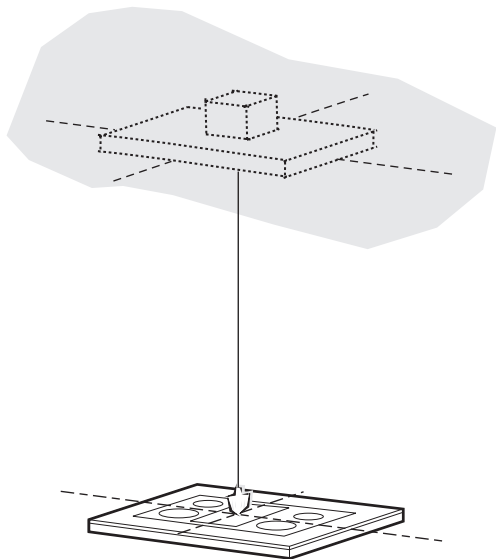
**Boîtier de connexion
(WIRING BOX 1) pour
le branchement du
câble d'alimentation
du réseau domestique
à la hotte**



**BOÎTIER DE
CONNEXION (WIRING
BOX 2)
pour le branchement
du ventilateur externe
à la hotte.**

Préparation de l'installation de la hotte de plafond

- 1 Ne pratiquez aucune ouverture avant d'avoir décidé si l'installation sera canalisée ou non, puis planifiez en conséquence.



AVERTISSEMENT

COMPTE TENU DE LA DIMENSION ET DU POIDS DE CETTE HOTTE, LE SOCLE DOIT ÊTRE SOLIDEMENT ANCRÉ AU PLAFOND. Si le plafond est en plâtre ou en plaque de plâtre, le socle doit être ancré aux poutres. Si cela n'est pas possible, une structure de soutien doit être construite derrière le plâtre ou la plaque de plâtre. Le fabricant ne peut être tenu responsable en cas de blessures ou de dommages provoqués par une mauvaise installation.

Placez une protection épaisse sur la surface de cuisson, pour éviter qu'elle soit endommagée ou salie.

Déterminez l'endroit où la hotte sera installée et marquez-la clairement sur le plafond à l'aide d'un crayon.

Déterminez les ouvertures nécessaires pour les conduits et pratiquez-les. L'ouverture pour la canalisation est représentée sur le gabarit de montage.

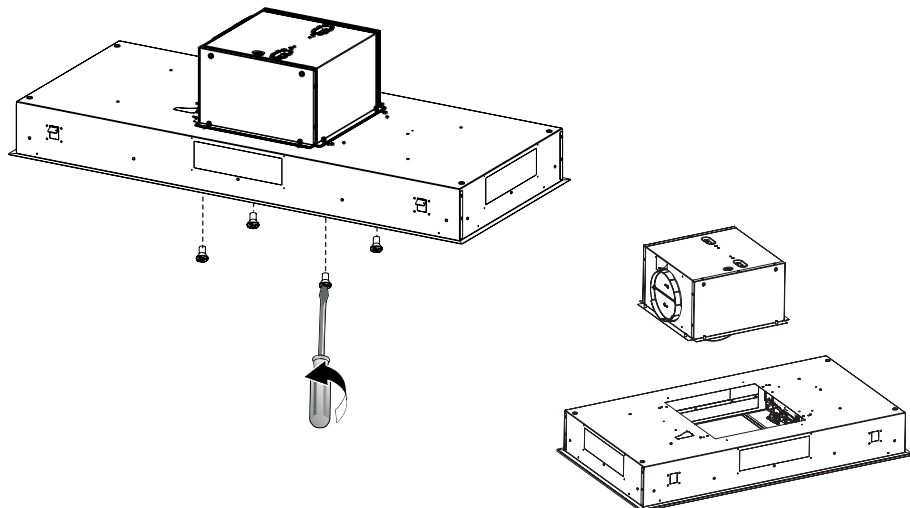
Installez les conduits avant de monter la hotte. Déterminez l'emplacement adéquat pour le câble d'alimentation, comme indiqué sur le gabarit. Utilisez une mèche de 1 1/4" pour percer ce trou. Faites passer le câble d'alimentation. Utilisez un calfeutrage pour sceller autour du trou.

Une pièce à défoncer pour le passage de l'alimentation électrique du plafond est située au sommet du châssis. Ne branchez pas le câble d'alimentation au boîtier de connexion et n'alimentez pas la hotte à ce moment. Acheminez une longueur de câble électrique du plafond suffisante pour atteindre le boîtier de connexion sur la hotte.

Installation du ventilateur 10" externe

Si vous utilisez une trousse pour ventilateur à distance, RB 900 ou RB 1200, veuillez jeter le flasque (1B) compris dans la trousse et illustré à la page 7.

2

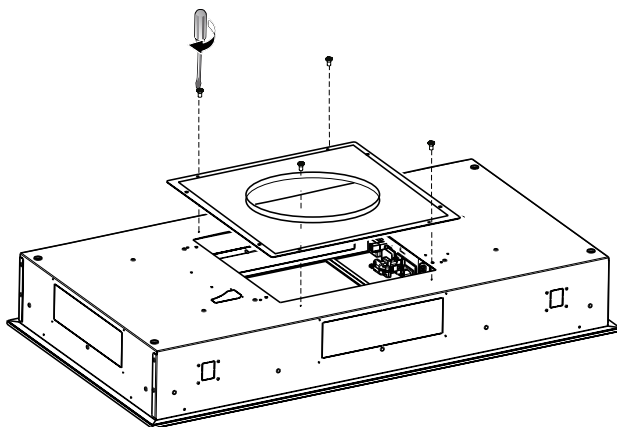


Dévissez les 4 vis pour détacher le carter de ventilateur du bâti de la hotte.

Le carter de ventilateur n'est pas utilisé pour l'installation avec ventilateur à distance. Il est possible de le jeter, ou encore de le conserver pour plus tard, en cas de passage à un ventilateur interne.

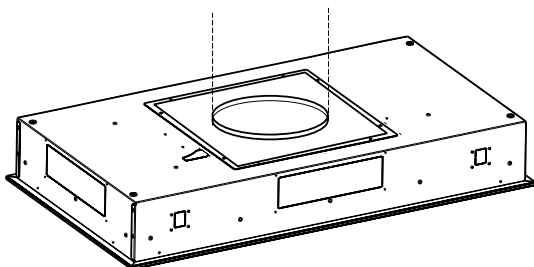
3

Fixez le couvercle flasque de 10" au bâti de la hotte à l'aide des 4 vis.



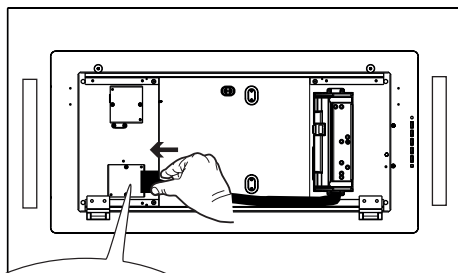
4

Branchez la sortie d'air du bâti de la hotte à la sortie d'air du ventilateur à distance.

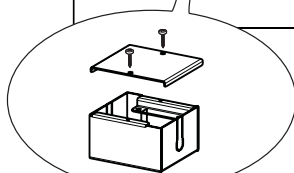


5

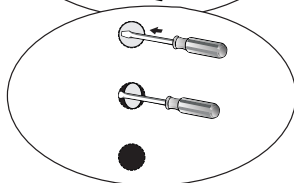
Branchez le câble au boîtier de connexion depuis l'intérieur de la hotte.



Depuis l'intérieur de la hotte, retirez le couvercle du boîtier de connexion 2 en retirant les deux vis.



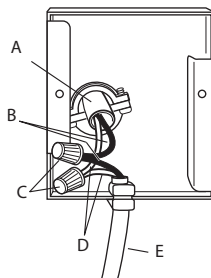
Défoncez l'orifice du boîtier de connexion approprié pour faire passer les câbles du ventilateur à distance.



Branchez le câble du ventilateur à distance aux deux fils à l'intérieur du boîtier de connexion en utilisant un connecteur verrouillé par rotation et en faisant correspondre les couleurs.

Remettez en place le couvercle du compartiment des câblages externes.

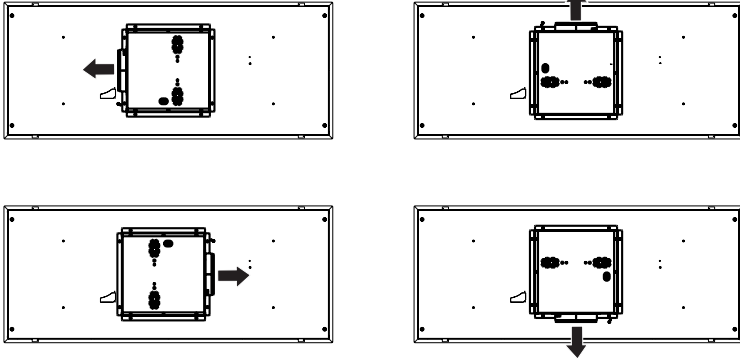
Consultez le schéma de câblage.



Installation du ventilateur 6" externe

Si vous utilisez une trousse pour ventilateur à distance, RB 900 ou RB 1200, veuillez jeter le flasque (1B) compris dans la trousse 1 et illustré à la page 7.

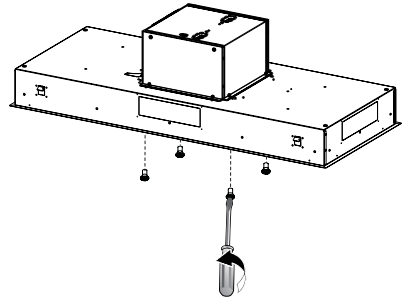
1



Il est possible de choisir parmi quatre positions de ventilation différentes pour le carter du ventilateur, comme illustré.

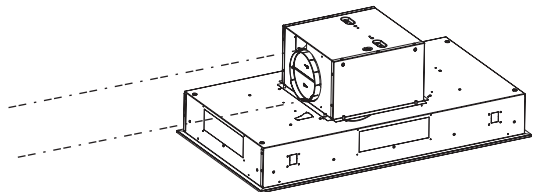
Choisissez la position adéquate pour votre installation.

Au besoin, le carter du ventilateur peut être démonté du bâti, comme illustré sur l'image à droite.



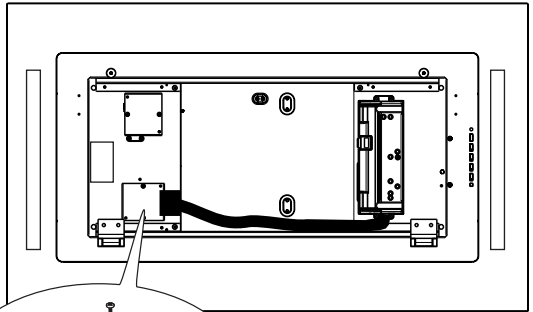
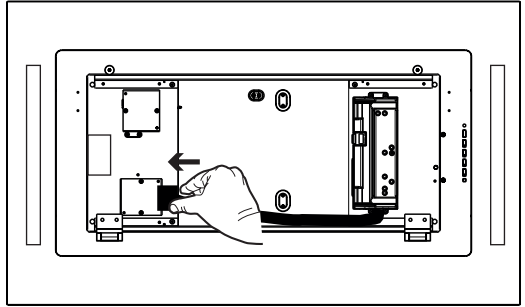
2

Raccordez les canalisations du ventilateur à distance au carter du ventilateur. Utilisez des colliers pour sécuriser les raccords (achetés séparément).

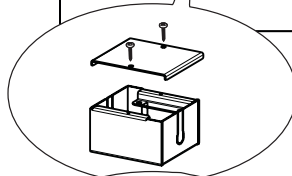


3

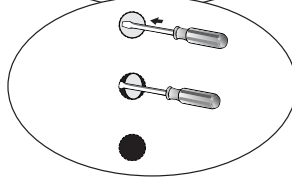
Branchez le câble au boîtier de connexion (BOX2) depuis l'intérieur de la hotte.



Depuis l'intérieur de la hotte, retirez le couvercle du boîtier de connexion 2 en retirant les deux vis.



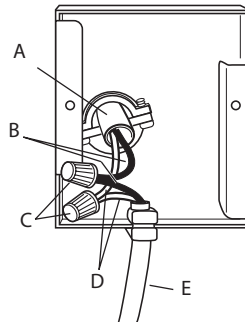
Défoncez l'orifice du boîtier de connexion pour faire passer les câbles du ventilateur à distance.



Branchez le câble du ventilateur à distance aux deux fils à l'intérieur du boîtier de connexion en utilisant un connecteur verrouillé par rotation et en faisant correspondre les couleurs.

Remettez en place le couvercle du compartiment des câblages externes.

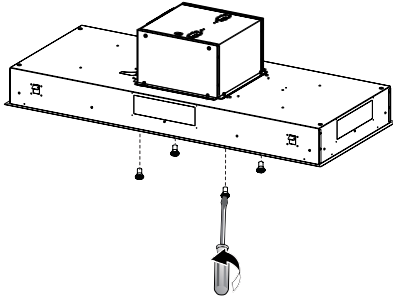
Consultez le schéma de câblage.



Installation du ventilateur interne

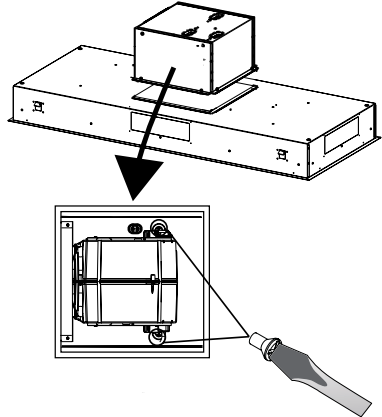
Si vous utilisez la trousse de ventilateur interne, IB 600 kit ou IB 400 kit ou IB 300, veuillez jeter le registre (A), le flasque (2B) et le câble (E), fournis avec la trousse du ventilateur interne, illustré à la page 7.

1



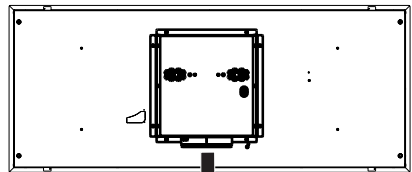
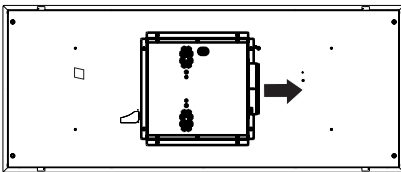
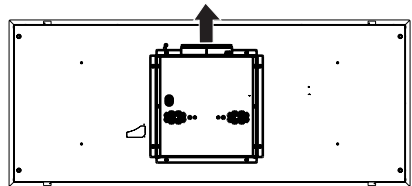
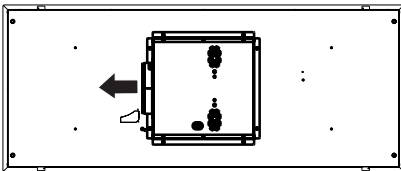
Dévissez les 4 vis pour démonter le carter pour le ventilateur.

2



Fixez le ventilateur dans le carter à l'aide des deux vis. Les vis sont fournies avec la trousse du ventilateur.

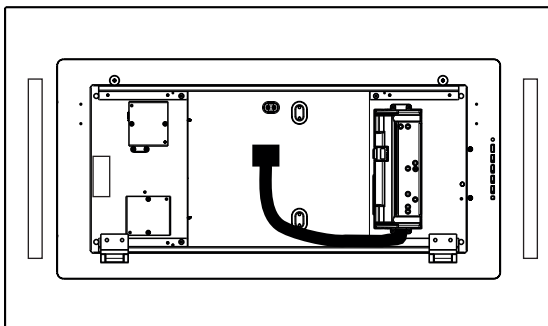
3



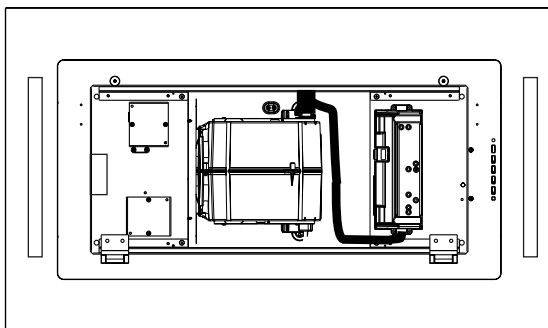
Il est possible de choisir parmi quatre directions de ventilation différentes pour le ventilateur, comme illustré.

4

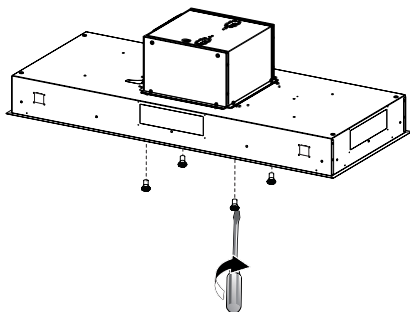
Branchez le câble au moteur.



Lorsque le ventilateur est monté dans la hotte, branchez le connecteur au ventilateur



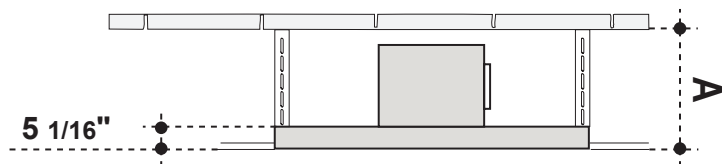
5



Fixez le carter au ventilateur à l'aide des 4 vis enlevées précédemment.

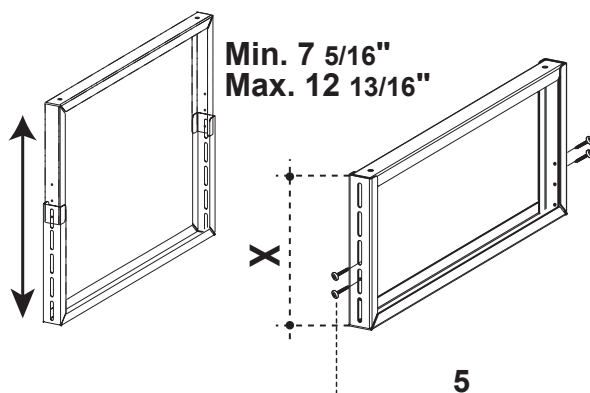
Assemblez les brides

7



$$X = A - 5 \frac{1}{16}''$$

Comme illustré, vous devez tenir compte de la hauteur du bâti de la hotte dans l'espace au-dessus de l'appareil. Après avoir déterminé la hauteur des brides, utilisez les vis no 5 de la liste des pièces, à la page 6, pour monter les brides.

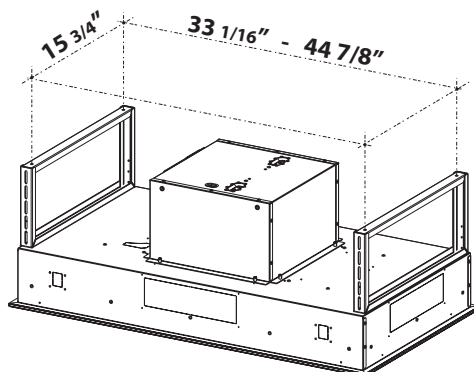


Installation des brides au plafond

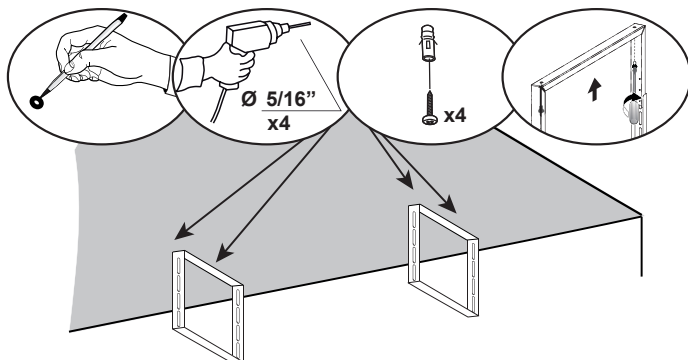
8.a

Consultez l'image ci-dessous pour plus de détails sur les orifices à pratiquer dans la surface de montage (plafond intérieur ou parement) qui serviront au montage des fixations des brides. Les éléments de fixation utilisés doivent être adaptés aux orifices de 5/16" et sont achetés séparément.

Hotte		
36"	15 3/4"	33 1/16"
48"	15 3/4"	44 7/8"

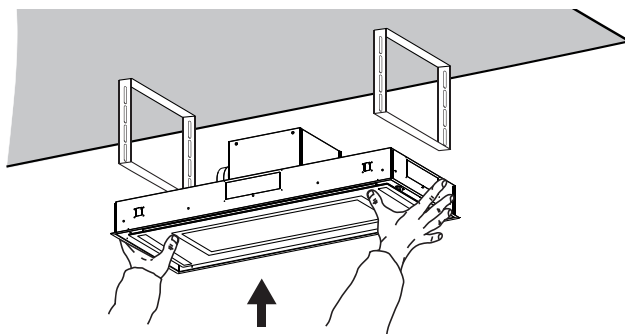


9.a



Utilisez la bride pour tracer les repères des orifices déterminant l'emplacement des éléments de fixation au plafond (achetés séparément).

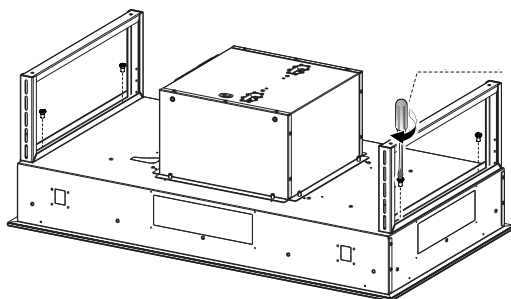
Utilisez des chevilles ou d'autres éléments de renfort en association avec les éléments de fixation au plafond (achetés séparément).



10.a

Utilisez les vis no 4 de la liste des pièces de la page 6 pour fixer le bâti de la hotte aux brides de fixation au plafond.

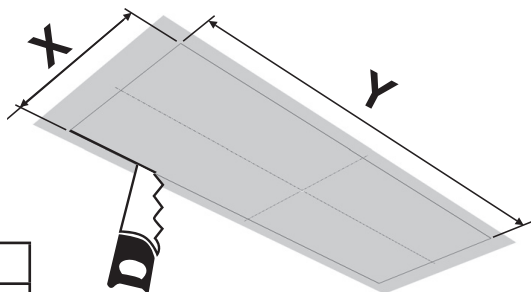
Il est nécessaire d'avoir accès à l'espace au-dessus.



Ouverture au plafond pour parement

8.b

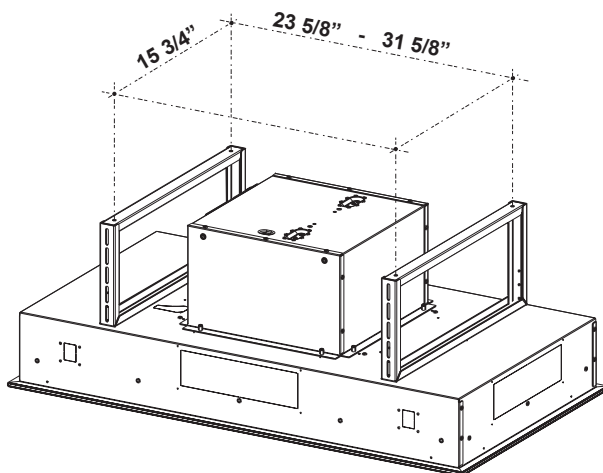
Consultez l'image pour connaître les dimensions de l'ouverture au plafond.



Hotte	X	Y
36"	18 11/16"	34 9/16"
48"	26 9/16"	46 3/8"

Installations des brides au plafond pour parement

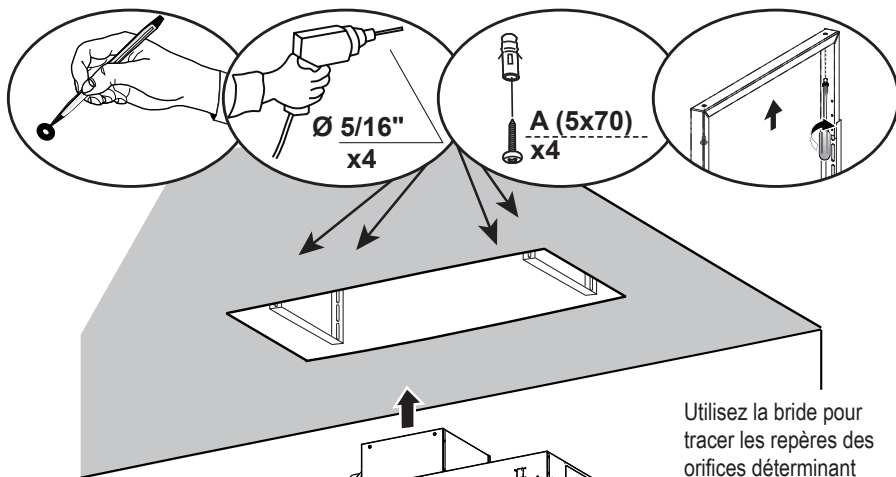
9.b



Hotte		
36"	15 3/4"	23 5/8"
48"	15 3/4"	31 5/8"

Consultez l'image ci-dessous pour plus de détails sur les orifices à pratiquer dans la surface de montage (plafond intérieur ou parement) qui serviront au montage des fixations des brides. Les éléments de fixation utilisés doivent être adaptés aux orifices de 5/16" et sont achetés séparément.

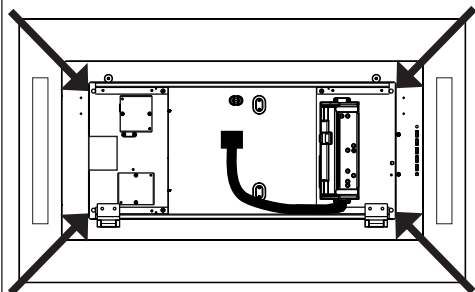
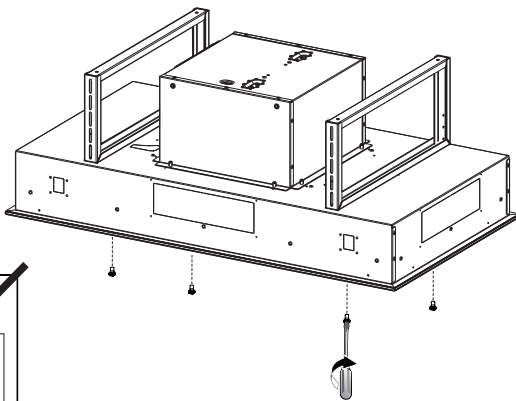
10.b

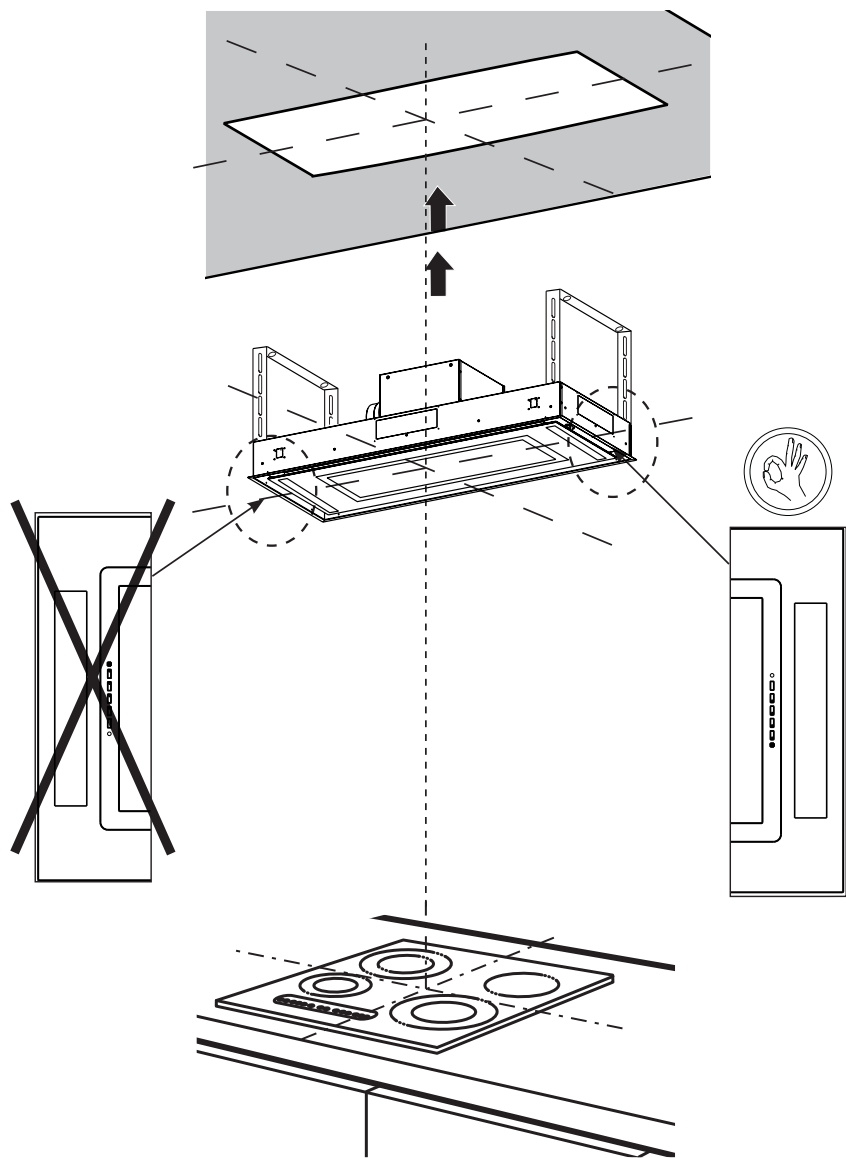


Utilisez la bride pour tracer les repères des orifices déterminant l'emplacement des éléments de fixation au plafond (achetés séparément).

Utilisez des chevilles ou d'autres éléments de renfort en association avec les éléments de fixation au plafond (achetées séparément).

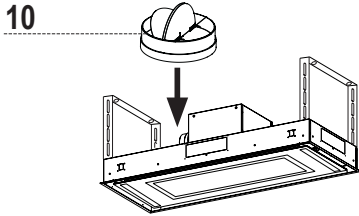
Utilisez les vis no 4 de la liste des pièces de la page 6 pour fixer le bâti de la hotte aux brides de fixation au plafond à partir du bas.



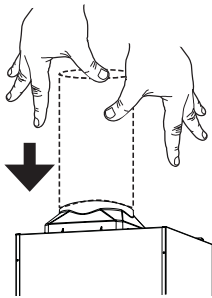


Installez la hotte avec le panneau de commande à droite, comme illustré ci-dessus.

Installation avec ventilation canalisée

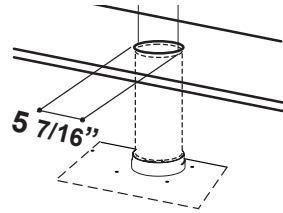


Installez le registre inclus avec la hotte avant de la raccorder aux conduits.

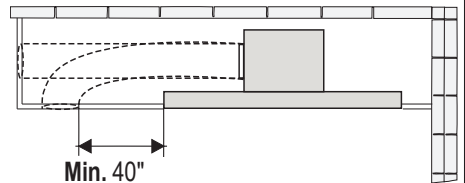


Raccordez la hotte à la conduite de la sortie d'air. Utilisez du ruban pour canalisations pour sceller le joint.

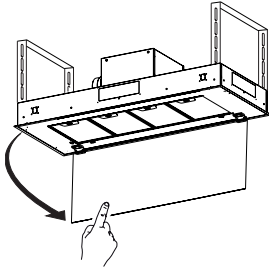
Option sans canalisation, avec recyclage d'air



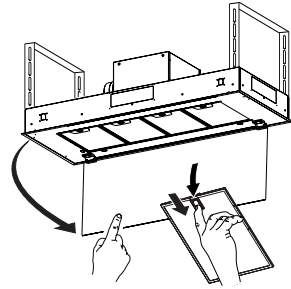
Consultez l'image ci-dessus et ci-dessous pour connaître deux options de conduits pour montage sans canalisation, avec recyclage, retournant l'air dans la pièce.



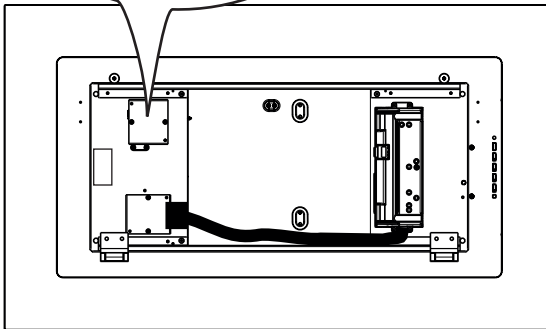
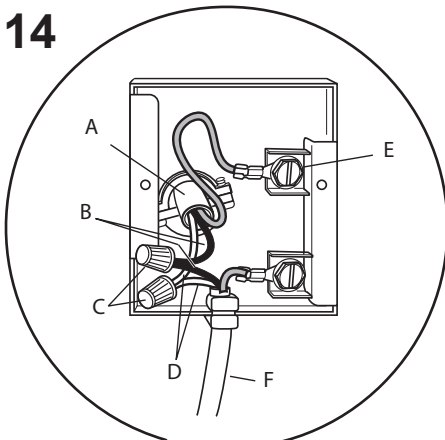
maintenez le conduit de retour d'air à une distance d'au moins 40" du côté du Stratus

12

Ouvrez le panneau de protection du filtre. Le panneau de protection du filtre est retenu par un dispositif magnétique. Tirez vers le bas avec force pour le dégager, comme illustré ci-dessus.

13

Retirez les filtres à graisse un à un, en les poussant vers l'arrière de l'appareil et en les tirant vers le bas simultanément. Mettez-les à part.

14

Installation des branchements du boîtier de connexion 1

Retirez le couvercle du compartiment des câblages externes.

NE METTEZ PAS l'alimentation sous tension avant d'avoir terminé l'installation!

Branchez le câble d'alimentation à la hotte.

Branchez le fil vert (vert et jaune) de mise à la terre sous la vis de mise à la terre verte. Branchez le fil blanc de l'alimentation au fil blanc de la hotte à l'aide d'un connecteur verrouillé par rotation.

Branchez le fil noir de l'alimentation au fil noir de la hotte à l'aide d'un connecteur verrouillé par rotation.

Remettez le couvercle du compartiment des câblages externes et les filtres à graisse en place.

Consultez le schéma de câblage.

A. Câble d'alimentation du réseau domestique

B. Fils noirs

C. Serre-fils homologué UL

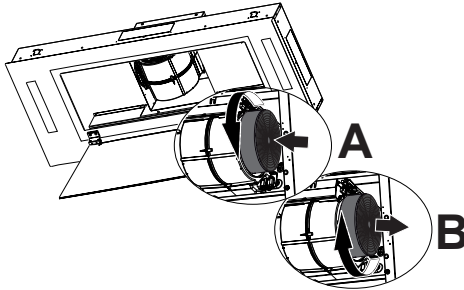
D. Fils blancs

E. Fil de mise à la terre vert (ou fil nu) de l'alimentation domestique, à brancher à la vis de mise à la terre verte

F. Câble d'alimentation de la hotte

15

Pour option sans canalisation, avec recyclage d'air

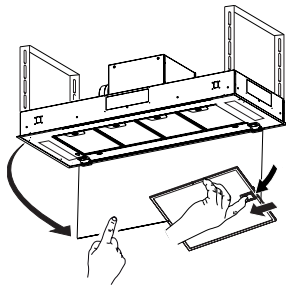


Fixez les filtres à charbon à la grille noire de chaque côté du ventilateur. Pressez fermement le filtre à charbon contre la grille noire sur le côté du ventilateur et faites tourner le filtre dans le sens des aiguilles d'une montre (vers l'avant de la hotte encastrable) jusqu'à ce qu'il soit verrouillé en place (A). Faites tourner dans le sens contraire des aiguilles d'une montre (vers l'arrière de la hotte encastrable) pour l'enlever (B).

Filter à charbon actif accessoire requis - no d'article - FILTER1 (ache séparément)

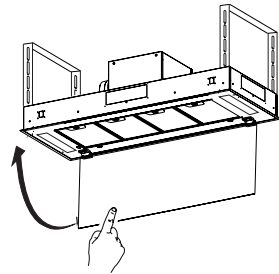


16



Remplacez les filtres à graisse.

17

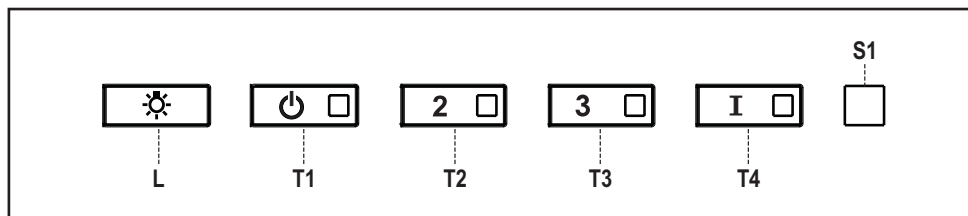


Refermez le panneau de protection du filtre.

INFORMATIONS POUR L'UTILISATION ET L'ENTRETIEN

Pour de meilleurs résultats

Activez la hotte quelques minutes avant de commencer à cuisiner pour créer un flux d'air adéquat. Laissez la hotte fonctionner quelques minutes après avoir fini de cuisiner pour absorber toute la fumée et les odeurs de la cuisine.

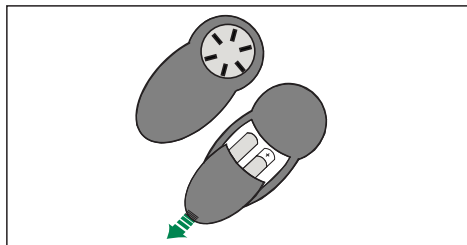


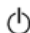

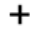



Bouton	Fonction	DEL
L	Allume/Éteint l'éclairage à la puissance maximale. Appuyez sur ce bouton et tenez-le enfoncé pendant environ 2 secondes pour allumer/éteindre l'éclairage à intensité variable.	-
T1	Allume et éteint le moteur à la vitesse un. Fonction retardée : Appuyez sur ce bouton et tenez-le enfoncé pendant environ 3 secondes pour activer/désactiver la fonction retardée (désactivation automatique du moteur, des ventilateurs et de l'éclairage après un délai de 30 min.). Ne peut être activée si la modalité Intensive est activée.	ACTIVÉ
T2	Allume le moteur à la vitesse deux. Alarme du filtre à charbon actif - Appuyez sur ce bouton et tenez-le enfoncé pendant environ 5 secondes, lorsque tous les dispositifs sont éteints (moteur et éclairage), pour activer cette alarme. Le témoin DEL approprié clignote deux fois pour confirmer. Pour éteindre l'alarme, appuyez de nouveau sur le bouton et tenez-le enfoncé pendant au moins 5 secondes. Le témoin DEL approprié clignote une fois.	ACTIVÉ
T3	Allume le moteur à la vitesse trois. Appuyez sur ce bouton et tenez-le enfoncé pendant environ 3 secondes, lorsque tous les dispositifs de la hotte sont éteints (moteur et éclairage), pour réinitialiser. Le témoin DEL S1 clignote trois fois.	ACTIVÉ
T4	Allume le moteur à la vitesse INTENSIVE. Cette vitesse est programmée pour fonctionner pendant 6 minutes. Après ce délai, le système retournera automatiquement à la vitesse sélectionnée précédemment. Si cette modalité est activée tandis que le moteur est éteint, la hotte s'éteindra après le délai. Activation de la télécommande Appuyez sur ce bouton et tenez-le enfoncé pendant 5 secondes pour activer la télécommande; le témoin DEL clignotera deux fois. Appuyez sur ce bouton et tenez-le enfoncé pendant 5 secondes pour désactiver la télécommande; le témoin DEL clignotera une seule fois.	ACTIVÉ
S1	L'alarme de saturation du filtre à graisse métallique signale qu'il est nécessaire de nettoyer les filtres. L'alarme s'active lorsque la hotte a été en fonction pendant 100 heures. (Reportez-vous à la page 18 pour en savoir plus sur le Nettoyage des filtres et la Réinitialisation de l'alarme du filtre) Lorsqu'elle est activée, l'alarme de saturation du filtre à charbon actif signale que le filtre doit être changé. Les filtres à graisse métalliques doivent également être nettoyés. L'alarme de saturation du filtre à charbon actif s'active lorsque la hotte a été en fonction pendant 200 heures. (Reportez-vous à la page 18 pour en savoir plus sur le Nettoyage des filtres et la Réinitialisation de l'alarme du filtre)	ACTIVÉ Clignotant.

TÉLÉCOMMANDE

Il est possible de commander l'appareil à l'aide d'une télécommande alimentée par une pile carbone/zinc alcaline 1,5 V du type standard LR03-AAA (non incluse).

- Ne déposez pas la télécommande à proximité de sources de chaleur.
- Les piles usées doivent être éliminées de façon adéquate.



	Moteur	Moteur allumé/éteint
		Réduit la vitesse à chaque pression
		Augmente la vitesse à chaque pression
	Intensive	Active/Désactive la fonction Intensive
	Délai	Active/Désactive la fonction retardée
	Éclairage	Éclairage allumé/éteint
		Appuyez pendant 2 secondes pour activer l'éclairage à intensité variable.

Nettoyage des filtres à graisse métalliques

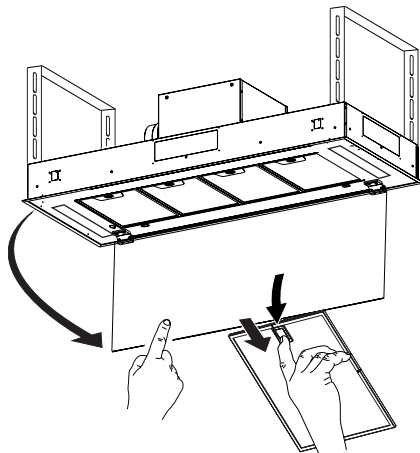
Ils peuvent être lavés dans le lave-vaisselle et doivent être nettoyés lorsque le témoin DEL S1 s'allume ou au moins une fois tous les 2 mois d'usage, ou encore plus fréquemment en cas d'utilisation particulièrement intensive.

Réinitialisation de l'alarme du filtre à graisse

- Éteignez l'éclairage et la hotte.
- Appuyez sur T3 et tenez-le enfoncé pendant au moins 3 secondes, jusqu'à ce que le témoin DEL clignote 3 fois pour confirmer.

Nettoyage des filtres

- Ouvrez le panneau.
- Retirez les filtres un à un, en les poussant vers l'arrière de l'appareil et en les tirant vers le bas simultanément.
- Lavez les filtres sans les plier et laissez-les sécher complètement avant de les remettre en place. (Si la surface du filtre change de couleur au fil du temps, cela n'aura aucun impact sur l'efficacité du filtre même.)
- Remettez les filtres à graisse en place, en vous assurant que leur poignée se trouve vers l'avant.
- Refermez le panneau.
- 4 filtres - modèle 48", 3 filtres - modèle 36".



Remplacement du filtre à charbon actif

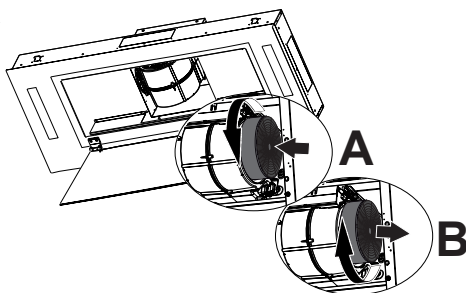
Ils ne peuvent être lavés ni régénérés, et doivent être changés lorsque le témoin DEL S1 commence à clignoter, ou au moins une fois tous les 6 mois. S'il a été activé, le signal d'alarme apparaît uniquement lorsque le ventilateur de hotte est activé.

Réinitialisation du signal d'alarme

- Éteignez l'éclairage et le ventilateur de hotte.
- Appuyez sur T3 et tenez-le enfoncé pendant au moins 3 secondes, jusqu'à ce que le témoin DEL clignote 3 fois pour confirmer.

Nettoyage des filtres

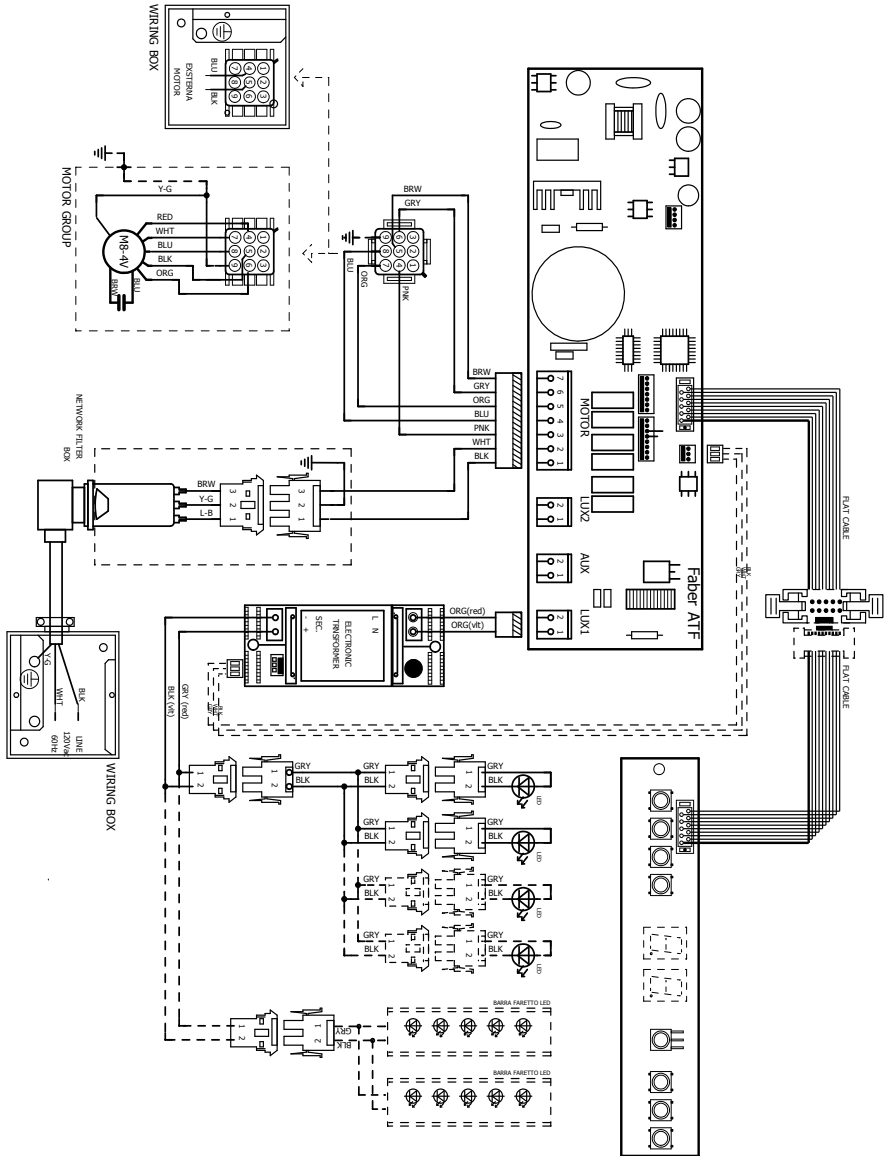
- Ouvrez le panneau.
- Retirez le filtre à graisse métallique.
- Retirez les filtres à charbon actif saturés comme indiqué (A).
- Posez les nouveaux filtres, comme indiqué (B).
- Remettez en place les filtres à graisse métalliques.
- Refermez le panneau.



Système d'éclairage

- Les ampoules DEL doivent être remplacées par un service d'entretien autorisé Faber.

Schéma de câblage





GARANTIE LIMITÉE ET SERVICE FABER

Tous les produits Faber font l'objet d'une garantie contre les défauts de matériel et de main-d'œuvre, accordée à l'acheteur original pour une période d'un (1) an à compter de la date d'achat initiale (preuve d'achat requise). Cette garantie couvre les frais de main-d'œuvre et les pièces de rechange. À sa discrétion, Faber peut réparer ou remplacer le produit ou les composants nécessaires à remettre le produit en bon état de marche. Pour bénéficier de services prévus par la garantie, veuillez communiquer avec le détaillant auprès duquel vous avez acheté la hotte de cuisine, ou encore avec le distributeur Faber de votre région. Si vous n'êtes pas en mesure de localiser un distributeur Faber dans votre région, veuillez communiquer avec nous au 508-358-5353 pour connaître le nom d'un distributeur à proximité.

Les éléments suivants ne sont pas visés par la garantie Faber :

1. Les appels au service de réparation visant à corriger l'installation de la hotte de cuisine, à recevoir des instructions sur l'utilisation de la hotte de cuisine, le remplacement ou la réparation des fusibles du domicile ou la correction des câblages ou de la plomberie du domicile.
2. Les appels au service de réparation visant à réparer ou remplacer les ampoules électriques de hotte, les fusibles ou les filtres. Ces pièces consommables ne sont pas couvertes par la garantie.
3. Les réparations si votre hotte de cuisine est employée à des fins autres que celles prévues, soit l'utilisation résidentielle normale pour une famille.
4. Les dommages découlant d'un accident, d'une modification, de l'utilisation incorrecte ou abusive, d'un incendie, d'une inondation, d'un cas de force majeure, d'une installation inadéquate, d'une installation non conforme aux codes en matière d'électricité ou de plomberie ou à la documentation fournie par Faber, ou encore d'une utilisation du produit non approuvée par Faber.
5. Les frais de main-d'œuvre ou de remplacement des pièces pour les appareils utilisés à l'extérieur des États-Unis ou du Canada, y compris toutes les hottes de cuisine Faber non-UL ou C-UL homologuées.
6. Les réparations à la hotte découlant de modifications non autorisées apportées à la hotte de cuisine.
7. Les frais encourus pour les déplacements et le transport de produits en région éloignée et les frais de cueillette et livraison. La réparation des hottes de cuisine Faber doit être réalisée à domicile.

LA PRÉSENTE GARANTIE NE PRÉVOIT AUCUNE FORME DE DÉDOMMAGEMENT EN CAS DE DOMMAGES ACCESSOIRES OU CONSÉCUTIFS, Y COMPRIS, SANS TOUTEFOIS S'Y LIMITER, LES DOMMAGES DIRECTS, INDIRECTS, ACCESSOIRES, PARTICULIERS OU CONSÉCUTIFS, LES LÉSIONS CORPORELLES/MORTELLES OU LA PERTE DE PROFITS. LA GARANTIE OFFERTE PAR FABER EST LIMITÉE AUX CONDITIONS ÉNONCÉES CI-DESSUS ET À LA PÉRIODE DE GARANTIE INDIQUÉE DANS LES PRÉSENTES ET EST EXCLUSIVE. SAUF DISPOSITIONS EXPRESSES CONTRAIRES DANS LE PRÉSENT ACCORD, FABER DÉCLINE TOUTE CONDITION, REPRÉSENTATION OU GARANTIE EXPLICITE OU IMPLICITE, Y COMPRIS, SANS TOUTEFOIS S'Y LIMITER, TOUTE GARANTIE IMPLICITE DE QUALITÉ MARCHANDE OU D'ADAPTATION À UN USAGE PARTICULIER.

Les droits qui vous sont conférés en vertu de la présente garantie peuvent varier d'une province ou d'un État à l'autre.

N° de modèle : _____ N° de série : _____

LEA Y GUARDE ESTAS INSTRUCCIONES ANTES DE COMENZAR A INSTALAR ESTA CAMPANA

ADVERTENCIA: - PARA REDUCIR EL RIESGO DE INCENDIO DE LA CAMPANA POR GRASA:

- a) Nunca deje las unidades de superficie desatendidas en ajustes altos. Las ebulliciones causan humo y derrames grasientos que pueden encenderse. Caliente los aceites lentamente en ajustes bajos o medios.
- b) Siempre encienda la campana cuando cocine a fuego alto o cuando flamee alimentos (por ej. Crepes Suzette, Cherries Jubilee, Peppercorn Beef Flambé).
- c) Limpie los ventiladores con frecuencia. No se debe permitir que la grasa se acumule en el ventilador o filtro.
- d) Use un tamaño de olla adecuado. Utilice siempre utensilios de cocina apropiados para el tamaño del elemento de superficie.

ADVERTENCIA: - PARA REDUCIR EL RIESGO DE LESIONES A PERSONAS EN CASO DE INCENDIO DE GRASA, TENGA CUENTA LO SIGUIENTE*:

- a) **APAGUE LAS LLAMAS** con una tapa ajustada, bandeja para hornear galletas o bandeja de metal, luego apague el quemador. **TENGA CUIDADO PARA EVITAR QUEMADURAS.** Si las llamas no se apagan de inmediato, **EVACUE Y LLAME AL DEPARTAMENTO DE BOMBEROS.**
- b) **NUNCA RECOJA UNA OLLA EN LLAMAS** - Puede quemarse.
- c) **NO USE AGUA,** incluidos paños de cocina húmedos o toallas; se producirá una violenta explosión de vapor.
- d) Use un extintor **SOLAMENTE** si:
 1. Usted sabe que tiene un extintor Clase ABC y ya sabe cómo operarlo.
 2. El fuego es pequeño y está contenido en el área donde comenzó.
 3. Se llama al departamento de bomberos.
 4. Puedes luchar contra el fuego con tu espalda hacia una salida.

* Basado en "Kitchen Firesafety Tips" publicado por NFPA

ADVERTENCIA - PARA REDUCIR EL RIESGO DE DESCARGA ELÉCTRICA O INCENDIO, no use este ventilador con ningún dispositivo de control de velocidad de estado.

ADVERTENCIA - PARA REDUCIR EL RIESGO DE INCENDIOS, DESCARGAS ELÉCTRICAS O LESIONES PERSONALES, OBSERVE LO SIGUIENTE:

1. Use esta unidad solo de la manera prevista por el fabricante. Si tiene alguna pregunta, comuníquese con el fabricante.
2. Antes de reparar o limpiar la unidad, apague el equipo en el panel de servicio y bloquee los medios de desconexión del servicio para evitar que la energía se encienda accidentalmente. Cuando los medios de desconexión del servicio no se puedan bloquear, fije de forma segura un dispositivo de advertencia prominente, como una etiqueta, al panel de servicio.

PRECAUCIÓN: Para uso general de ventilación solamente. No lo use para expulsar materiales y vapores peligrosos o explosivos.

ADVERTENCIA - PARA REDUCIR EL RIESGO DE INCENDIOS, DESCARGAS ELÉCTRICAS O LESIONES PERSONALES, OBSERVE LO SIGUIENTE:

1. El trabajo de instalación y el cableado eléctrico deben realizarlo las personas calificadas de acuerdo con todos los códigos y estándares aplicables, incluida la construcción con clasificación de incendio.
2. Se necesita suficiente aire para la combustión adecuada y el escape de gases a través del tubo de humos (chimenea) del equipo que quema combustible para evitar la retrogresión. Siga las directrices del fabricante del equipo de calefacción y las normas de seguridad tales como los publicados por la National Fire Protection Association (NFPA), la American Society for Heating, Refrigeration and Air Conditioning Engineers (ASHRAE) y las autoridades de los códigos locales.
3. Al cortar o perforar la pared o el techo, no dañe el cableado eléctrico ni otros servicios ocultos.
4. Los ventiladores con conductos siempre deben tener salida al exterior.

TODAS LAS ABERTURAS DE LA PARED Y EL PISO DONDE ESTÁ INSTALADA LA CAMPANA SE DEBEN SELLAR.

Esta campana requiere al menos 35" de espacio libre entre la parte inferior de la campana y la superficie de cocción o encimera. Esta campana ha sido aprobada por UL a esta distancia de la placa.

Consulte las instrucciones de instalación de la placa o la campana proporcionadas por el fabricante antes de hacer cualquier corte. **INSTALACIÓN EN CASA MÓVIL** La instalación de esta campana debe cumplir con las Normas de seguridad y construcción de viviendas prefabricadas, Título 24 CFR, Parte 3280 (anteriormente Norma federal para construcción y seguridad de casas móviles, Título 24, HUD, Parte 280).

REQUISITOS DE VENTILACIÓN

Determine qué método de ventilación es mejor para su aplicación. Los conductos pueden extenderse a través de la pared o el techo.

La longitud de los conductos y la cantidad de codos se deben mantener al mínimo para proporcionar un rendimiento eficiente. El tamaño de los conductos debe ser uniforme. No instale dos codos juntos. Use cinta adhesiva para sellar todas las juntas en el sistema de conductos. Use masilla para sellar la pared exterior o la abertura del espacio del techo alrededor de la tapa.

NO se recomiendan conductos flexibles. Los conductos flexibles crean una contrapresión y turbulencias de aire que reducen en gran medida el rendimiento.

Asegúrese de que haya espacio libre adecuado dentro de las paredes y espacio en el piso para el conducto de escape antes de hacer los cortes. No corte una vigueta o poste a menos que sea absolutamente necesario. Si se debe cortar una vigueta o poste, entonces se debe construir un marco de soporte.

ADVERTENCIA - Para reducir el riesgo de incendio, use solamente conductos de metal.

PRECAUCIÓN - Para reducir el riesgo de incendio y para descargar adecuadamente el aire, asegúrese de sacar el aire hacia el exterior - No expulse los humos en espacios dentro de paredes o techos, áticos, espacios angostos o garajes.

Instalaciones para clima frío

Se debe instalar un registro de retrogresión adicional para minimizar el flujo de aire frío hacia atrás y se debe instalar un interruptor térmico no metálico para minimizar la conducción de temperaturas externas como parte del sistema de ventilación. El registro debe estar en el lado del aire frío del interruptor térmico. El interruptor debe estar lo más cerca posible de donde el sistema de ventilación ingrese a la parte calentada de la casa.



ADVERTENCIA

- El sistema de ventilación **DEBE** terminar fuera del hogar.
- **NO** termine el conducto en un espacio ático o en otro espacio cerrado.
- **NO** use tapas de pared de tipo colada de 4".
- **NO** se recomiendan conductos flexibles.
- **NO** obstruya el flujo de aire de combustión y ventilación.
- El incumplimiento de los requisitos de ventilación puede provocar un incendio.

REQUISITOS ELÉCTRICOS

Se requiere un suministro eléctrico de 120 voltios, 60 Hz solo CA en un circuito separado con fusible de 15 amperios. Se recomienda un fusible de retardo o un cortacircuitos. El fusible se debe dimensionar según los códigos locales de acuerdo con la clasificación eléctrica de esta unidad, tal como se especifica en la placa de número de serie/clasificación ubicada dentro de la unidad, cerca del compartimiento de cableado de campo.

INSTALACIÓN ELÉCTRICA CON CAJA DE CABLEADO

ESTA UNIDAD DEBE CONECTARSE CON CABLE DE COBRE SOLAMENTE. Los tamaños de los cables deben cumplir con los requisitos del Código Eléctrico Nacional, ANSI / NFPA 70, última edición, y todos los códigos y ordenanzas locales. El tamaño del cable y las conexiones deben cumplir con la clasificación del equipo. Se pueden obtener copias de la norma enumerada anteriormente en:

National Fire Protection Association
Batterymarch Park
Quincy, Massachusetts 02269

Este electrodoméstico debe conectarse directamente a la desconexión por fusible (o disyuntor) a través de un cable flexible, blindado o no metálico de cobre enfundado. Deje algo de tensión en el cable para poder mover el dispositivo si alguna vez lo necesita. Debe haber un conector de conducto de 1/2" homologado por UL en cada extremo del cable de suministro de energía (en el equipo y en la caja de conexiones).

Al hacer la conexión eléctrica, corte un agujero de 1 1/4". Un agujero cortado a través de la madera debe lijarse hasta que quede liso. Un agujero a través del metal debe tener un ojal.



ADVERTENCIA

- Esta campana requiere conexión eléctrica de tierra.
- Si la tubería de agua fría está interrumpida por juntas de plástico, de materiales no metálicos u otros materiales, NO la utilice para conexión a tierra.
- NO conecte a tierra a una tubería de gas.
- NO tenga un fusible en el circuito neutro o de tierra. Un fusible en el circuito neutro o de tierra podría provocar una descarga eléctrica.
- Consulte con un electricista calificado si tiene dudas acerca de si la campana está correctamente conectada a tierra.
- El incumplimiento de los requisitos eléctricos puede provocar un incendio.

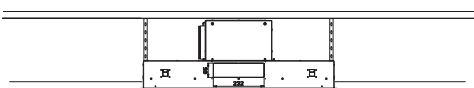
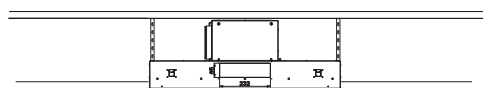
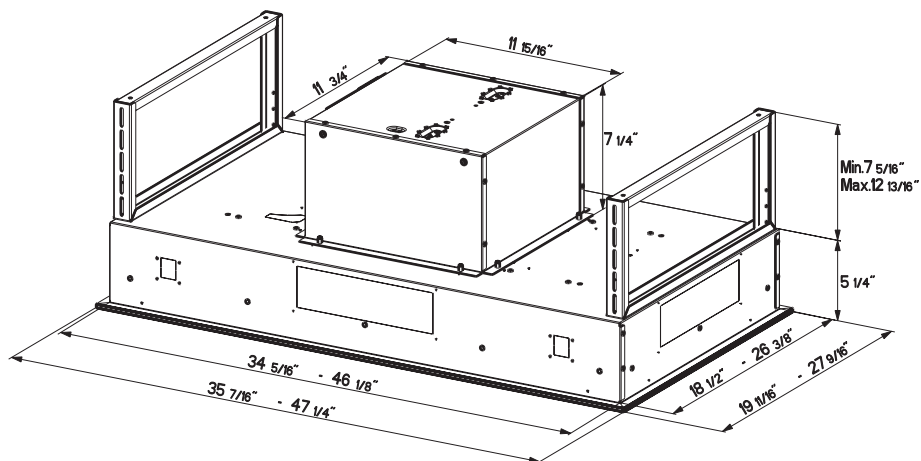
Advertencia de la Propuesta 65 del Estado de California (solo EE. UU.)

ATENCIÓN

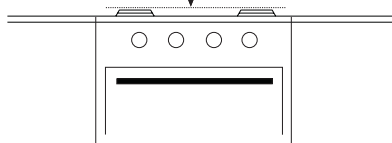
Este producto contiene productos químicos que el estado de California reconoce como causantes de cáncer y defectos de nacimiento u otros daños reproductivos.

Para obtener más información, visite www.P65Warnings.ca.gov

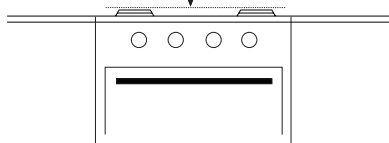
DIMENSIONES DE LA CAMPANA



Mín. 35"



Máx. 60"



Se recomienda una altura de montaje de 60" por encima de la estufa para obtener el mejor rendimiento, pero se puede instalar a una distancia máxima de 72" de la estufa.

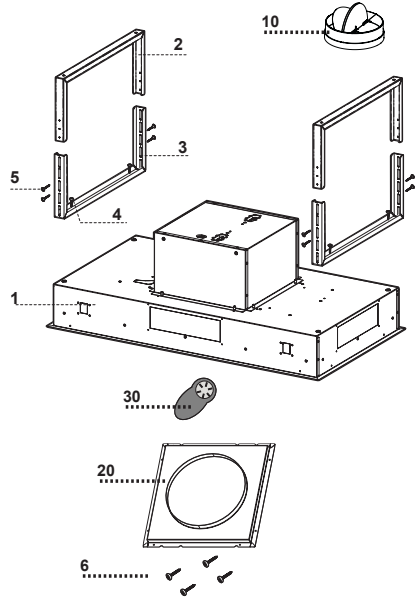
PARTES PRINCIPALES

Componentes

Ref.	Cdad.	Componentes del producto
1	1	Cuerpo de la campana, completo de: Controles, Luces, Filtros.
2	2	Soportes de la campana de fijación superior
3	2	Soportes de la campana de fijación inferior
10	1	Registro \varnothing 5 7/8"
20	1	Brida 10"(no incluido)
30	1	Mando remoto

Ref.	Cdad.	Componentes de Instalación
4	4	Tornillos 1/4" x 9/16"
5	8	Tornillos 1/8" x 3/8"
6	4	Tornillos 1/8" x 1/4"

Cdad.	Documentación
1	Manual de instrucciones



"PRECAUCIÓN - Para reducir el riesgo de incendio y descarga eléctrica, instale esta campana sólo con los modelos de ventiladores remotos RB900 o RB1200 fabricados por Faber o ventiladores integrales fabricados por Faber, modelo(s) kit IB600, kit IB400, IB300 o ventilador remoto genérico con un máximo de 2,7A calificados para el uso con control de velocidad de estado sólido.

Piezas necesarias

-conducto metálico redondo de 6"

Accesorios disponibles

Accesorio de filtro de carbón activado - sku#; FILTER 1

Ventilador interno 600 PRO sku#; kit IB600

Ventilador interno 400 sku#; kit IB400

Ventilador interno 300 sku#; IB300

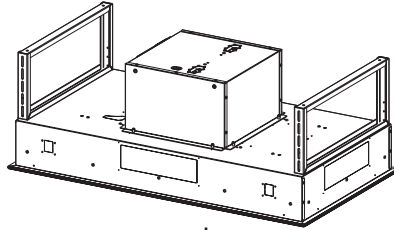
Ventilador remoto 900 sku#; RB900

Ventilador remoto 1200 sku#; RB1200

Brida 10"

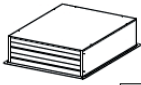
INSTALACIÓN

KIT DE CAMPANAS COMBINADAS Y MOTORES

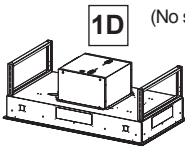


RB900 y RB1200
(ventilador remoto)

Kit IB600, kit IB400,
IB300
(ventilador interno)



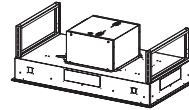
1B (No es necesario con Stratus)



1D (No se usa con soplores externos de 10")



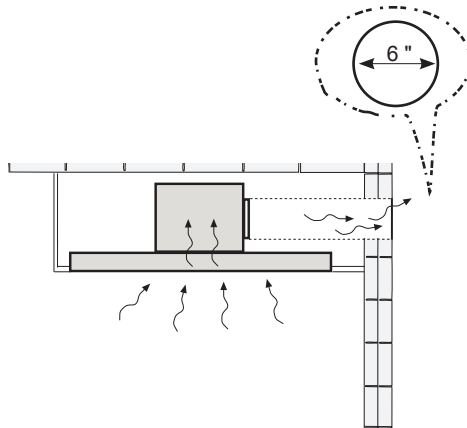
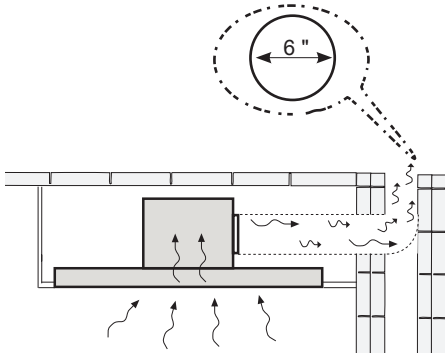
2B (No es necesario con Stratus)



E (No es necesario con Stratus)

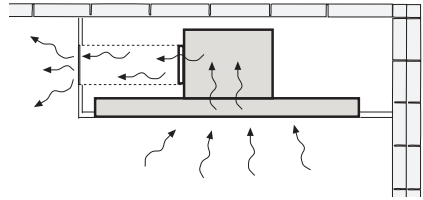
Elija su método de conducción

Instalación de opciones de ventilación con conductos



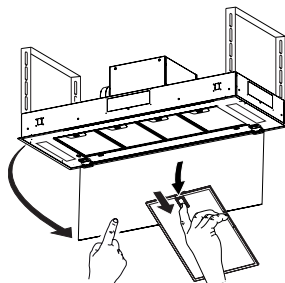
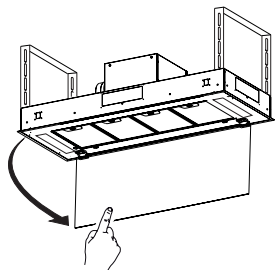
Sin conductos - Opción de recirculación

Accesorio de filtro de carbón activado requerido FILTER1 (se compra por separado). La cubierta de registro para la salida del conducto de aire se muestra para el diseño, no se incluye.

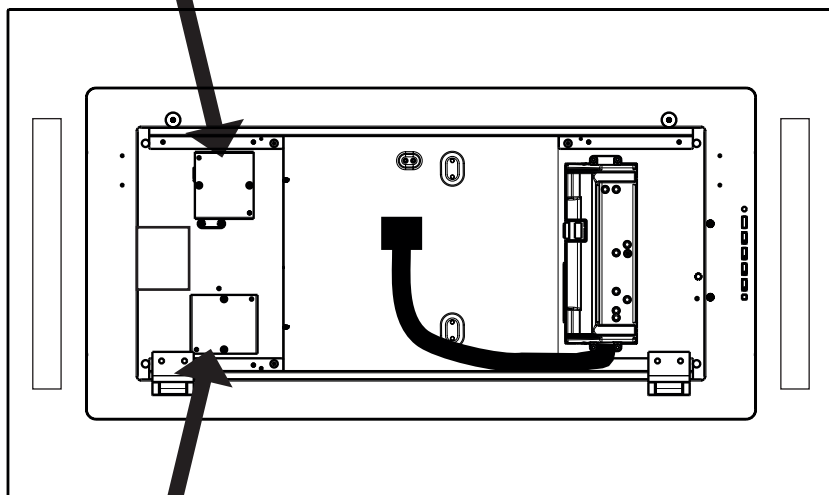


Cuando se usa en el modo de recirculación, para reducir el riesgo de incendio y descarga, utilice únicamente el kit de conversión Modelo FILTER1

Caja de cableado del cable del ventilador y caja del cableado del cable de la fuente de alimentación



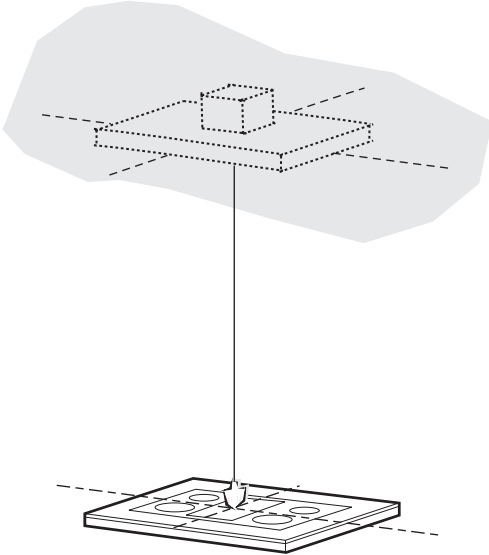
CAJA DE CABLEADO 1
para conectar el
cable de la fuente
de alimentación
doméstica con la
campana.



CAJA DE CABLEADO 2
para conectar el
ventilador externo con
la campana.

Preparación de la instalación de la campana de techo

- 1 No haga recortes hasta que haya decidido si esta instalación se realizará con o sin conducto y luego planifique en consecuencia.



ADVERTENCIA

DEBIDO AL TAMAÑO Y AL PESO DE ESTA CAMPANA, EL SOPORTE DEBE ESTAR FIRMEMENTE FIJADO AL TECHO. Para techos de yeso o cartón yeso, el soporte debe estar sujeto a las vigas. Si esto no es posible, se debe construir una estructura de soporte detrás del yeso o el cartón yeso. El fabricante no asume ninguna responsabilidad por lesiones o daños causados por instalaciones inadecuadas.

Coloque una cubierta gruesa y protectora sobre la encimera para protegerla de daños o suciedad.

Determine y marque claramente con un lápiz en el techo donde se instalará la campana.

Determine y haga los cortes necesarios para el conducto. La abertura del conducto se muestra en la plantilla de montaje.

Instale el conducto antes de montar la campana.

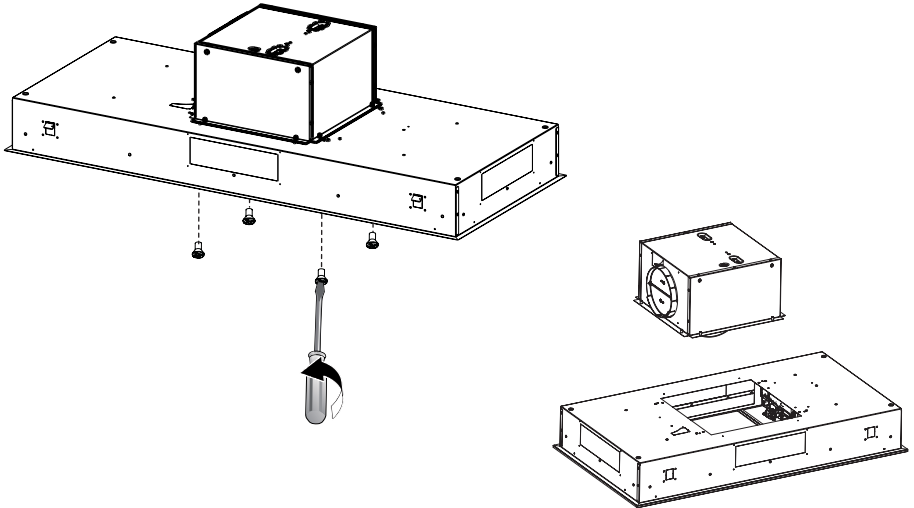
Determine la ubicación correcta del cable de suministro de energía como se indica en la plantilla. Use 1 broca de 1/4" para hacer este agujero. Pase el cable de suministro de energía. Use masilla para sellar alrededor del agujero.

Un punto de salida para pasar cables a través de la fuente de alimentación desde el techo se encuentra en la parte superior del marco. No conecte el cable de alimentación a la caja de cableado ni encienda la campana en este momento. Pase suficiente cable de alimentación desde el techo para alcanzar la caja de cableado de la campana.

Instalación del ventilador externo de 10"

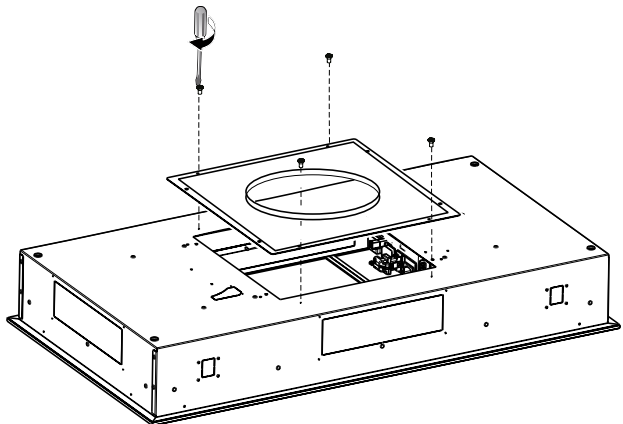
Si utiliza el kit de ventilador remoto, RB 900 o RB 1200, tire la brida (1B) que se entrega con el kit de ventilador remoto, que se muestra en la página 7.

2



Afloje los 4 tornillos para desmontar la caja del ventilador del cuerpo de la campana. La caja del ventilador no se usa para la instalación del ventilador remoto y puede descartarse o guardarse para uso futuro si se convierte en ventilador interno.

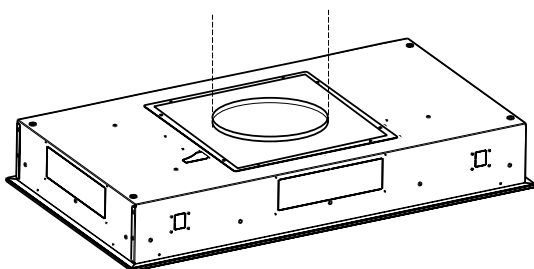
3



Fije la brida de la cubierta de 10" al cuerpo de la campana con los 4 tornillos.

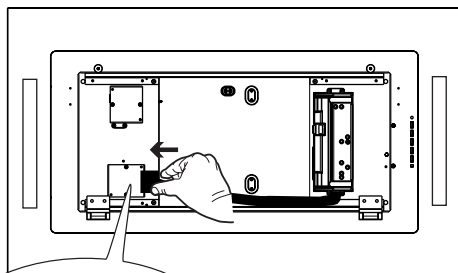
4

Conecte la salida de aire del cuerpo de la campana con la salida de aire del ventilador remoto.

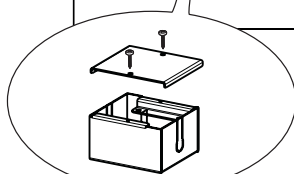


5

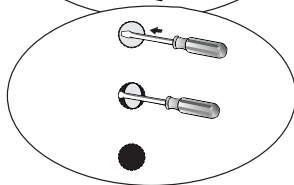
Desde el interior de la campana, conecte el cable a la caja de cableado.



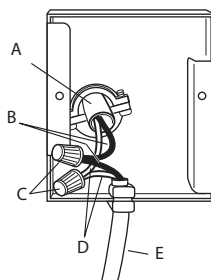
Desde el interior de la campana, retire la cubierta de la caja de cableado 2 quitando dos tornillos.



Rompa el orificio correcto en la caja de cableado para pasar los cables del ventilador remoto.



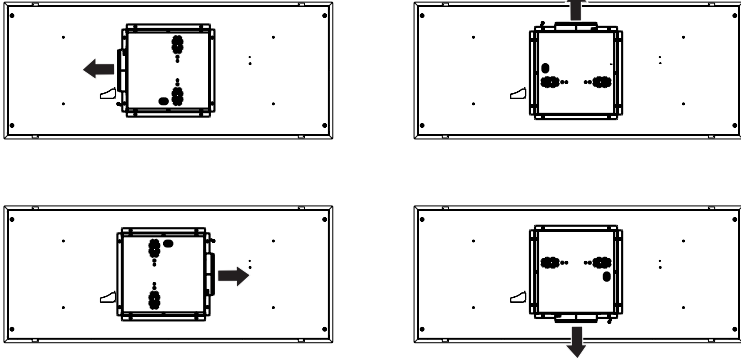
Conecte el cable del ventilador remoto con los dos cables dentro de la caja de cableado mediante el conector de cable tipo twist-on y haciendo coincidir el color.
Reemplace la cubierta del compartimento de cableado de campo.
Compruebe el diagrama de cableado.



Instalación del ventilador externo de 6"

Si utiliza el kit de ventilador remoto, RB 900 o RB 1200, tire la brida (1B) que se entrega con el kit 1 de ventilador remoto, que se muestra en la página 7.

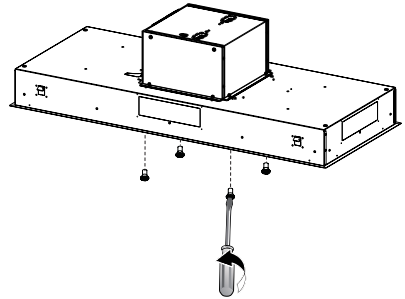
2



La caja del ventilador se puede colocar en cuatro direcciones de ventilación diferentes, como se muestra.

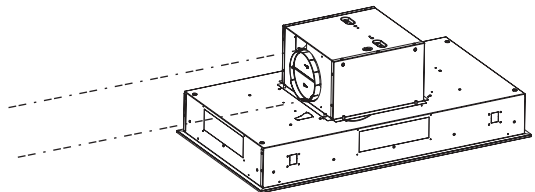
Elija la posición correcta para su instalación.

Si es necesario, la caja del ventilador se desmonta del cuerpo como se muestra en la imagen a la derecha.



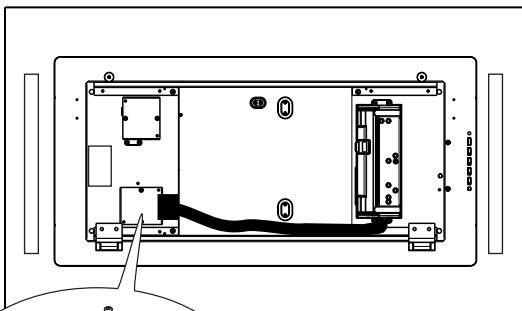
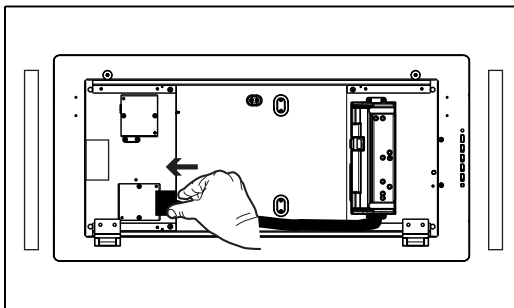
2

Conecte los conductos del ventilador remoto a la caja del ventilador. Use abrazaderas para fijar (se compran por separado).

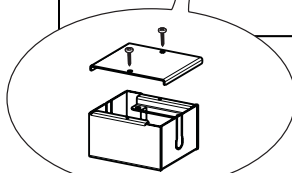


3

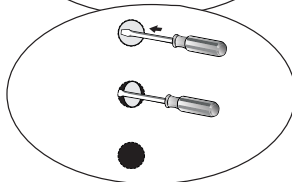
Desde el interior de la campana, conecte el cable a la caja de cableado 2.



Desde el interior de la campana, retire la cubierta de la caja de cableado 2 quitando los dos tornillos.



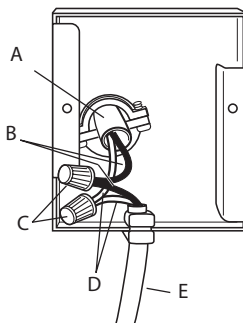
Rompa el agujero en la caja de cableado para pasar los cables del ventilador remoto.



Conecte el cable del ventilador remoto con los dos cables dentro de la caja de cableado mediante el conector de cable tipo twist-on y haciendo coincidir el color.

Reemplace la cubierta del compartimento de cableado de campo.

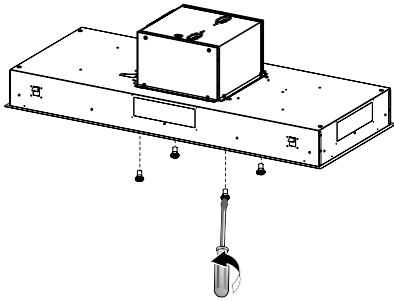
Compruebe el diagrama de cableado.



Instalación del ventilador interno

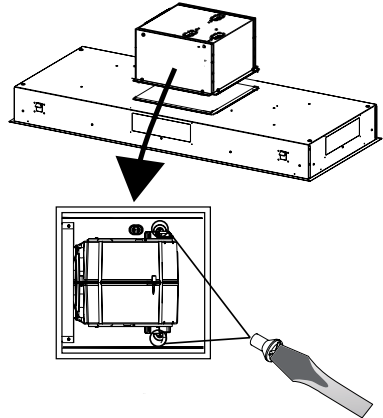
Si utiliza el kit de ventilador interno, el kit IB 600 o el kit IB 400 o IB 300, deseche el registro (A), la brida (2B) y el cable (E), suministrados con el kit de ventilador interno, que se muestra en la página 7.

1



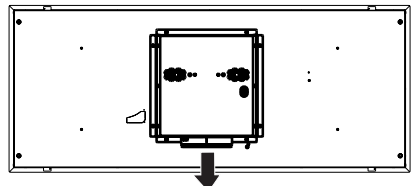
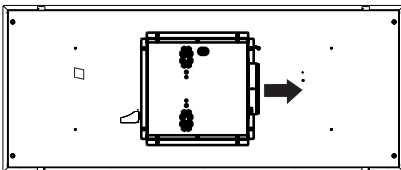
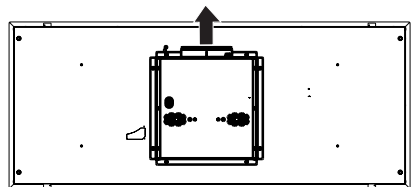
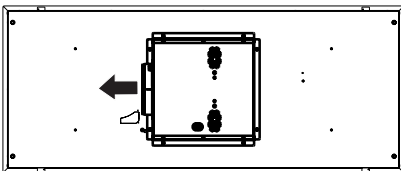
Desenrosque los 4 tornillos para desmontar la caja para el ventilador.

2



Fije con dos tornillos el ventilador en la caja. Los tornillos están incluidos con el kit de ventilador.

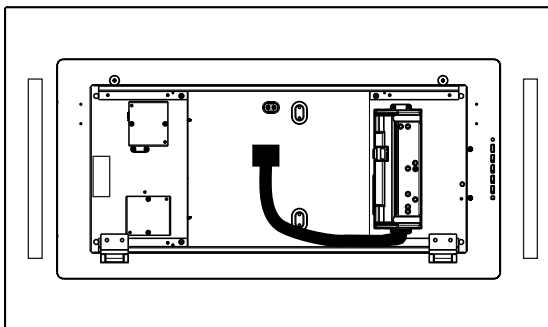
3



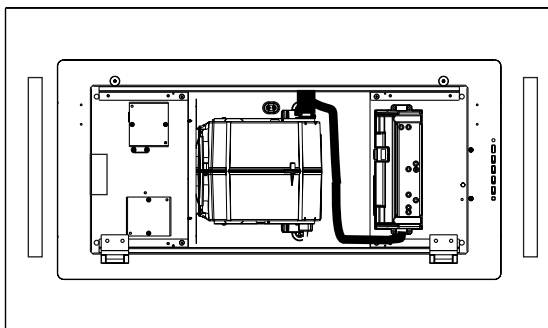
El ventilador se puede colocar en cuatro direcciones de ventilación diferentes, como se muestra.

4

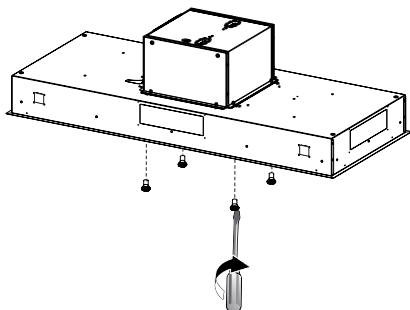
Conecte el cable al motor.



Una vez que el ventilador está montado en la campana, conecte el conector en el ventilador



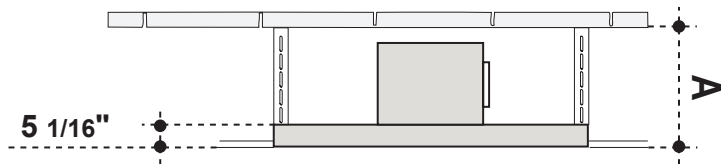
5



Fije la caja con el ventilador con los mismos 4 tornillos retirados previamente.

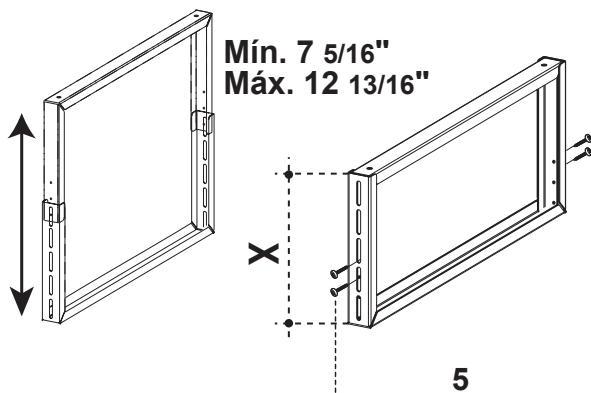
Monte los soportes

7



$$X = A - 5 \frac{1}{16}''$$

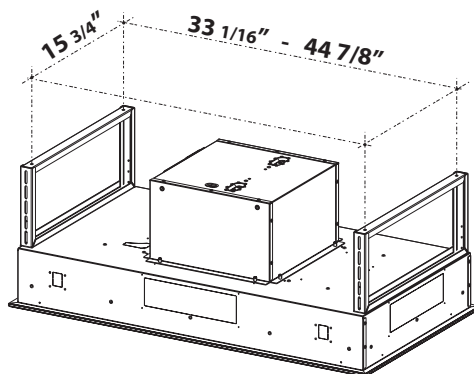
Como se muestra, debe adaptar la altura del cuerpo de la campana en su espacio por encima de la cabeza. Después de determinar la altura del soporte, use los tornillos #5 de la página 6 de componentes para ensamblar los soportes.



Instalación del soporte de techo

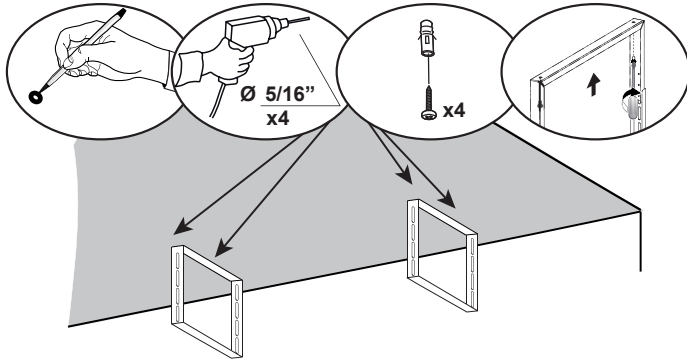
8.a

Vea a continuación una imagen detallada para taladrar los agujeros en la superficie de fijación (dentro del techo o sofito) que luego se usará para montar los accesorios del soporte. Los sujetadores utilizados deben ser compatibles con el agujero de 5/16" y se adquieren por separado.



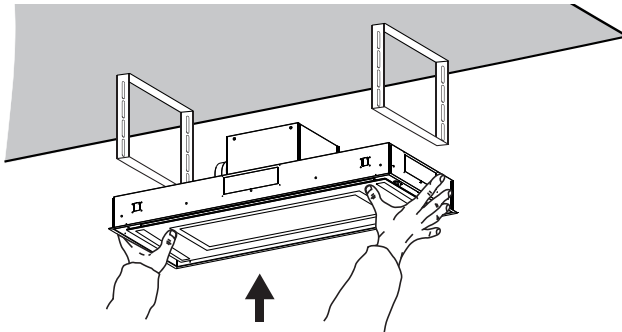
Campana		
36"	15 3/4"	33 1/16"
48"	15 3/4"	44 7/8"

9.a



Use los soportes para marcar los agujeros para ubicar los sujetadores del techo (se venden por separado).

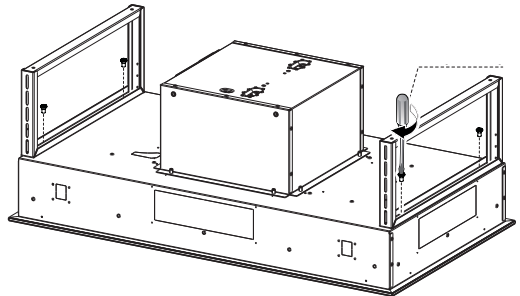
Use enchufes de pared u otro accesorio de sujeción en conjunción con los sujetadores de techo (se venden por separado).



10.a

Use los tornillos #4 de la lista de componentes en la página 6 para sujetar el cuerpo de la campana a los soportes de techo de la campana.

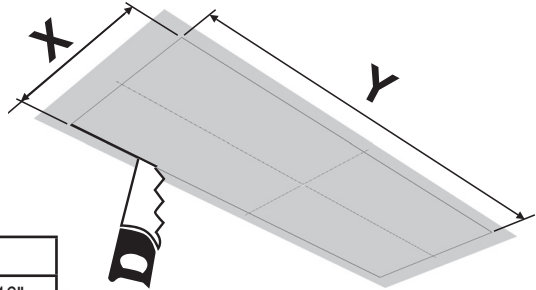
Se necesita acceso en el espacio de arriba.



Recorte de techo para soffito

8.b

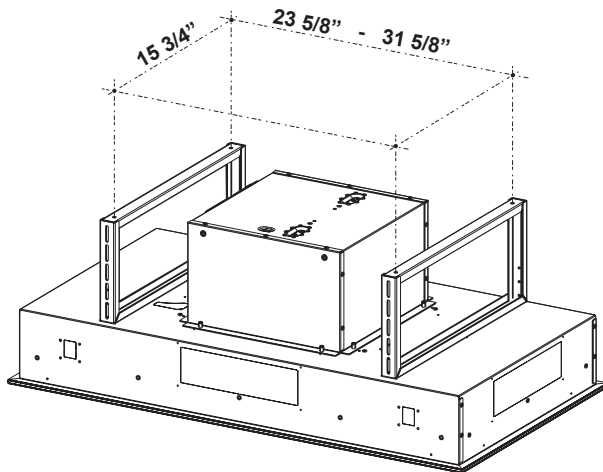
Vea la imagen con las dimensiones para el recorte del techo.



Campana	X	Y
36"	18 11/16"	34 9/16"
48"	26 9/16"	46 3/8"

Instalación de soporte de techo para soffito

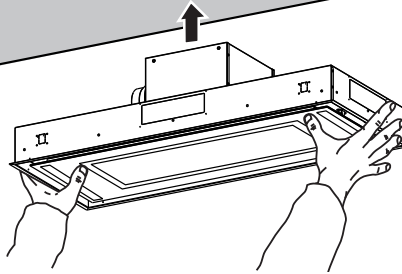
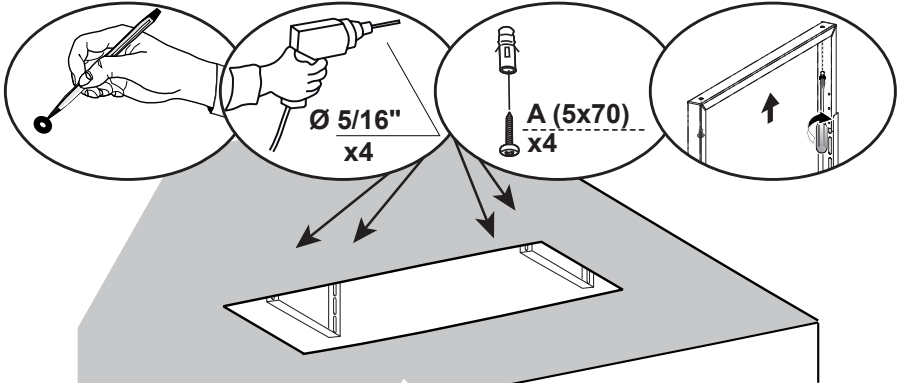
9.b



Campana		
36"	15 3/4"	23 5/8"
48"	15 3/4"	31 5/8"

Vea a continuación una imagen detallada para taladrar los agujeros en la superficie de fijación (dentro del techo o soffito) que luego se usará para montar los accesorios del soporte. Los sujetadores utilizados deben ser compatibles con el agujero de 5/16" y se adquieren por separado.

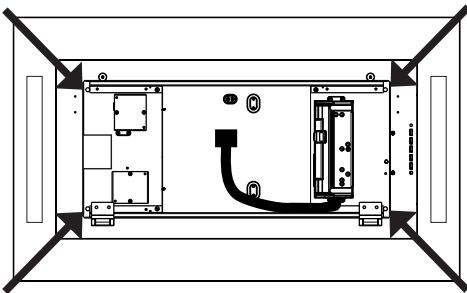
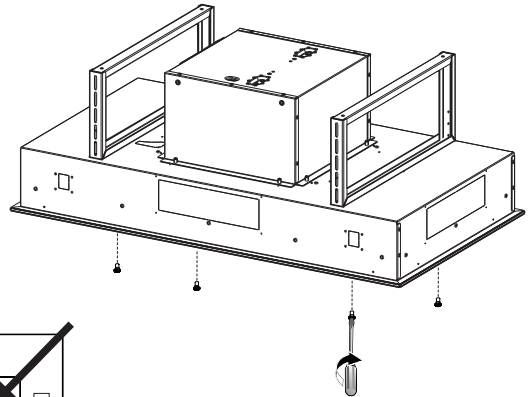
10.b

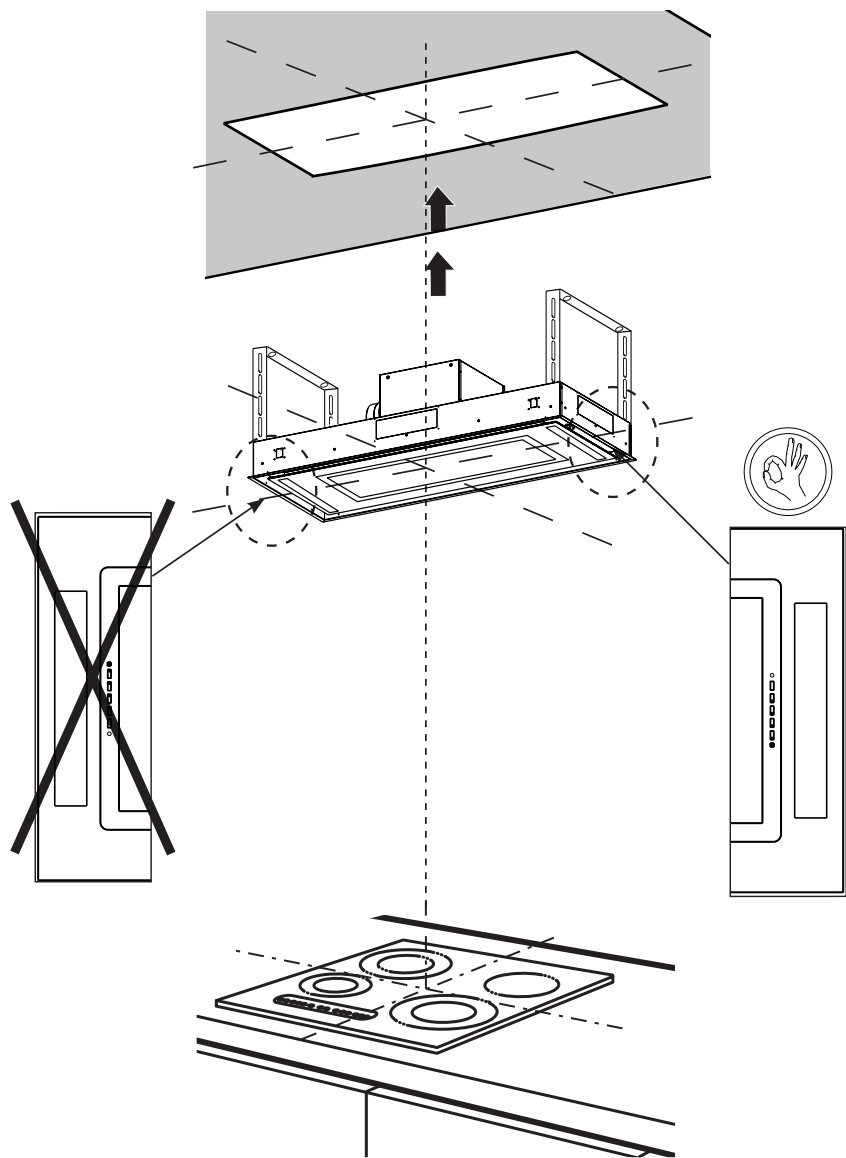


Use los soportes para marcar los agujeros para ubicar los sujetadores del techo (se venden por separado).

Use enchufes de pared u otro accesorio de sujeción en conjunción con los sujetadores de techo (se venden por separado).

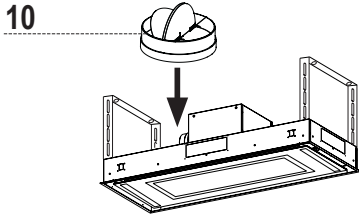
Use los tornillos #4 de la lista de componentes en la página 6 para sujetar la campana a los soportes de techo desde abajo.



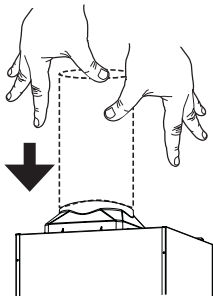


Instale la campana con el panel de control a la derecha como se muestra arriba.

Instalación de ventilación con conducto

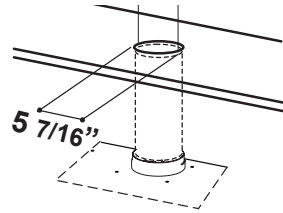


Instale el registro que se incluye con la campana antes de la conexión a la red de conductos.

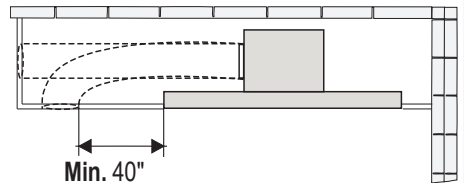


Conecte la campana a la tubería de salida de aire. Use cinta adhesiva para sellar la unión.

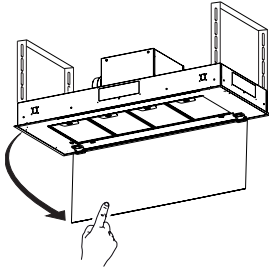
Sin conductos - Opción de recirculación



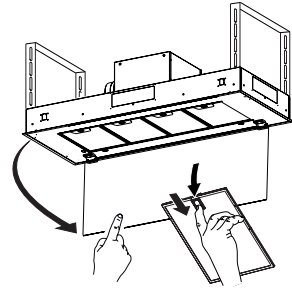
Vea la imagen de arriba y abajo como dos opciones de ventilación de conducto para la recirculación sin conducto de regreso a la habitación.



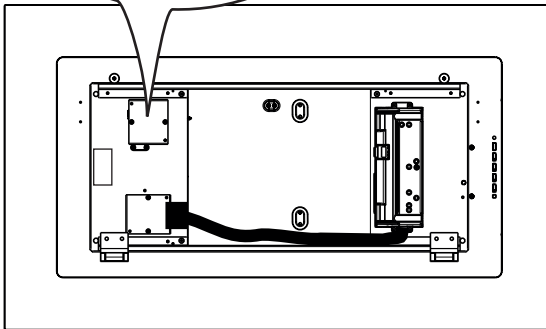
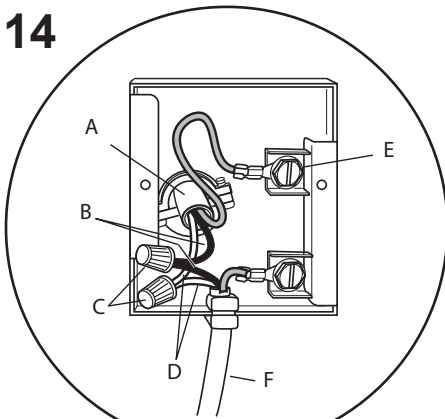
mantenga el conducto de aire de retorno al menos a 40" del costado del estrato

12

Abra el panel de cubierta del filtro. El panel de la cubierta del filtro se sujeta mediante un imán, se tira hacia abajo con suficiente fuerza para liberar como se muestra arriba.

13

Retire los filtros de a uno por vez, empujándolos hacia la parte posterior de la unidad y al mismo tiempo tirándolos hacia abajo y apartándolos.

14

Instalación de la conexión de la caja de cableado 1

Retire la tapa del compartimento de cableado de campo.

NO encienda la unidad hasta que se haya completado la instalación. Conecte el cable de la fuente de alimentación a la campana.

Conecte el cable de tierra verde (verde y amarillo) debajo del tornillo de conexión a tierra verde. Conecte el cable blanco de la fuente de alimentación al cable blanco de la campana con un conector de cable tipo twist-on.

Conecte el cable negro de la fuente de alimentación al cable negro de la campana con un conector de cable tipo twist-on.

Reemplace la cubierta del compartimento de cableado de campo y los filtros de grasa.

Compruebe el diagrama de cableado.

A. Cable de la fuente de alimentación doméstica

B. Cables negros

C. Conectores de cable con homologación UL

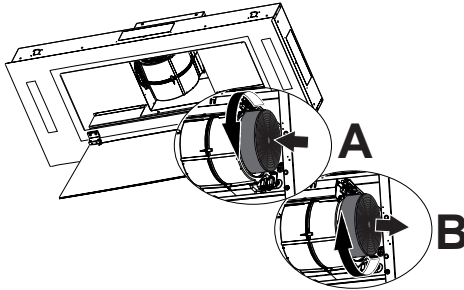
D. Cables blancos

E. Cable de tierra verde (o descubierto) de la fuente de alimentación doméstica para ser conectado a un tornillo de tierra verde

F. Cable de alimentación de la campana extractora

15

Para la opción de recirculación sin conducto

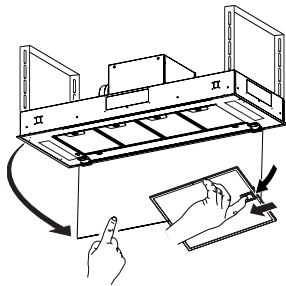


Conecte cada filtro de carbón a la rejilla negra a cada lado del ventilador. Presione el filtro de carbón firmemente contra la rejilla negra en el lado del ventilador y gire el filtro en sentido horario (hacia la parte delantera de la campana) hasta que encaje en su lugar (A). Gire en sentido antihorario (hacia la parte posterior de la campana) para quitar (B).

Accesorio de filtro de carbón activado requerido - sku # - FILTER1 (se compra separado)

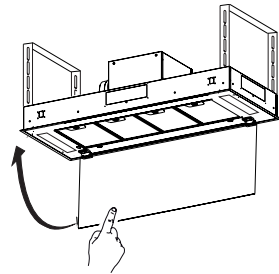


16



Reemplace los filtros de grasa.

17

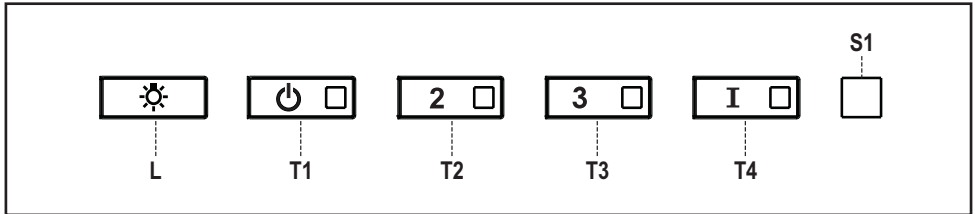


Cierre el panel de cubierta del filtro.

INFORMACIÓN DE USO Y CUIDADO

Para mejores resultados

Encienda la campana varios minutos antes de cocinar para desarrollar un flujo de aire adecuado. Deje que la campana funcione durante varios minutos después de que se complete la cocción para eliminar todo el humo y los olores de la cocina.

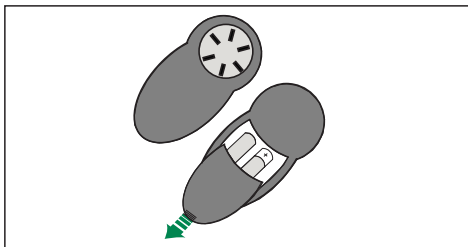


Botón	Función	Led
L	Enciende / apaga las luces a máxima potencia.	-
	Mantenga presionado el botón durante aproximadamente 2 segundos para encender / apagar las luces del atenuador.	-
T1	Enciende / apaga el motor a la velocidad uno.	ON
	Función de retardo: Mantenga presionado el botón durante aproximadamente 3 segundos para activar / desactivar la función de retardo (apagado automático del motor, los ventiladores y la iluminación con un retraso de 30 minutos). No se puede habilitar cuando Intensivo está activado.	
T2	Enciende el motor a la velocidad dos.	ON
	Alarma de filtro de carbón activado - Mantenga presionado el botón durante aproximadamente 5 segundos, con toda la campana apagada (motor y luces) para encender la alarma. El LED correspondiente parpadea dos veces para confirmar. Para apagar la alarma, presione el botón nuevamente y manténgalo presionado durante al menos 5 segundos. El LED correspondiente parpadea una vez.	
T3	Enciende el motor a la velocidad tres.	ON
	Mantenga presionado el botón durante aproximadamente 3 segundos, con toda la campana apagada (motor y luces), reiniciar. El LED S1 parpadea tres veces.	
T4	Enciende el motor a velocidad INTENSIVA.	ON
	Esta velocidad está programada para funcionar durante 6 minutos. Al final de este tiempo, el sistema regresa automáticamente a la velocidad establecida anteriormente. Si se activa con el motor apagado, la campana cambiará a OFF al final del tiempo.	
	Activación mediante mando remoto Presione y sostenga durante 5 segundos para habilitar el mando remoto, indicado por el LED parpadeando dos veces. Presione y sostenga durante 5 segundos para deshabilitar el mando remoto, indicado por el LED parpadeando una vez.	
S1	Señala la alarma de saturación del filtro de grasa metálico, lo que indica que es necesario lavar los filtros. La alarma se activa después de que la campana ha estado en funcionamiento durante 100 horas de trabajo. (Consulte la página 18 para limpiar los filtros y restablecer la alarma del filtro)	ON
	Cuando se activa, señala la alarma de saturación del filtro de carbón activo, lo que indica que el filtro debe cambiarse; los filtros de grasa metálicos también deben lavarse. La alarma de saturación del filtro de carbón activo entra en funcionamiento después de que la campana ha estado trabajando durante 200 horas. (Consulte la página 18 para limpiar los filtros y restablecer la alarma del filtro)	Destellando.

MANDO REMOTO

El aparato se puede controlar con un mando remoto alimentado por baterías alcalinas de zinc-carbón de 1,5 V del tipo estándar LR03-AAA (no se incluyen).

- No coloque el mando remoto cerca de fuentes de calor.
- Las baterías usadas deben desecharse de la manera adecuada.



	Motor	Motor encendido / apagado
		Disminuye la velocidad de trabajo cada vez que se presiona
		Aumenta la velocidad de trabajo cada vez que se presiona
	Intensiva	Activa / Desactiva la función Intensiva
	Retraso	Activa / Desactiva la función Retraso
	Luz	Luz encendida / apagada
		Presione durante 2 segundos para activar el atenuador.

Limpieza de los filtros de grasa metálicos

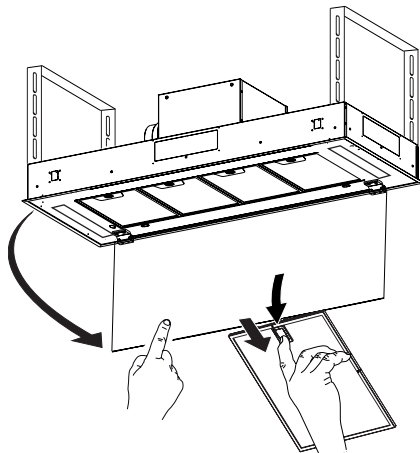
Estos pueden lavarse en el lavavajillas y deben limpiarse cada vez que se enciende el led S1 o al menos una vez cada 2 meses de uso, o con mayor frecuencia si el uso es particularmente intenso.

Restablecer la alarma del filtro de grasa

- Apague las luces y la campana.
- Presione T3 y mantenga presionado durante al menos 3 segundos, hasta que el LED parpadee tres veces como confirmación.

Limpieza de los filtros

- Abra el Panel.
- Retire los filtros de a uno por vez, empujándolos hacia la parte posterior de la unidad y al mismo tiempo tirando hacia abajo.
- Lave los filtros sin doblarlos y déjelos secar completamente antes de volver a colocarlos. (Si la superficie del filtro cambia de color a medida que pasa el tiempo, esto no tendrá ningún efecto en la eficacia del filtro).
- Reemplace los filtros de grasa, teniendo cuidado de asegurarse de que la manija mire hacia adelante
- Cierre el panel.
- 4 filtros - modelo de 48", 3 filtros - modelo de 36".



Reemplazo del filtro de carbón activado

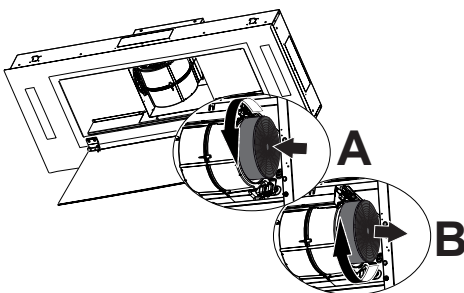
No pueden lavarse ni regenerarse, y deben cambiarse cuando el LED S1 comienza a parpadear, o al menos una vez cada 6 meses. La señal de alarma, si se ha activado, solo aparece cuando se enciende el ventilador de la campana.

Restablecer la señal de alarma

- Apaga las luces y el ventilador de la campana.
- Presione T3 y mantenga presionado durante al menos 3 segundos, hasta que el LED parpadee tres veces como confirmación.

Limpieza de los filtros

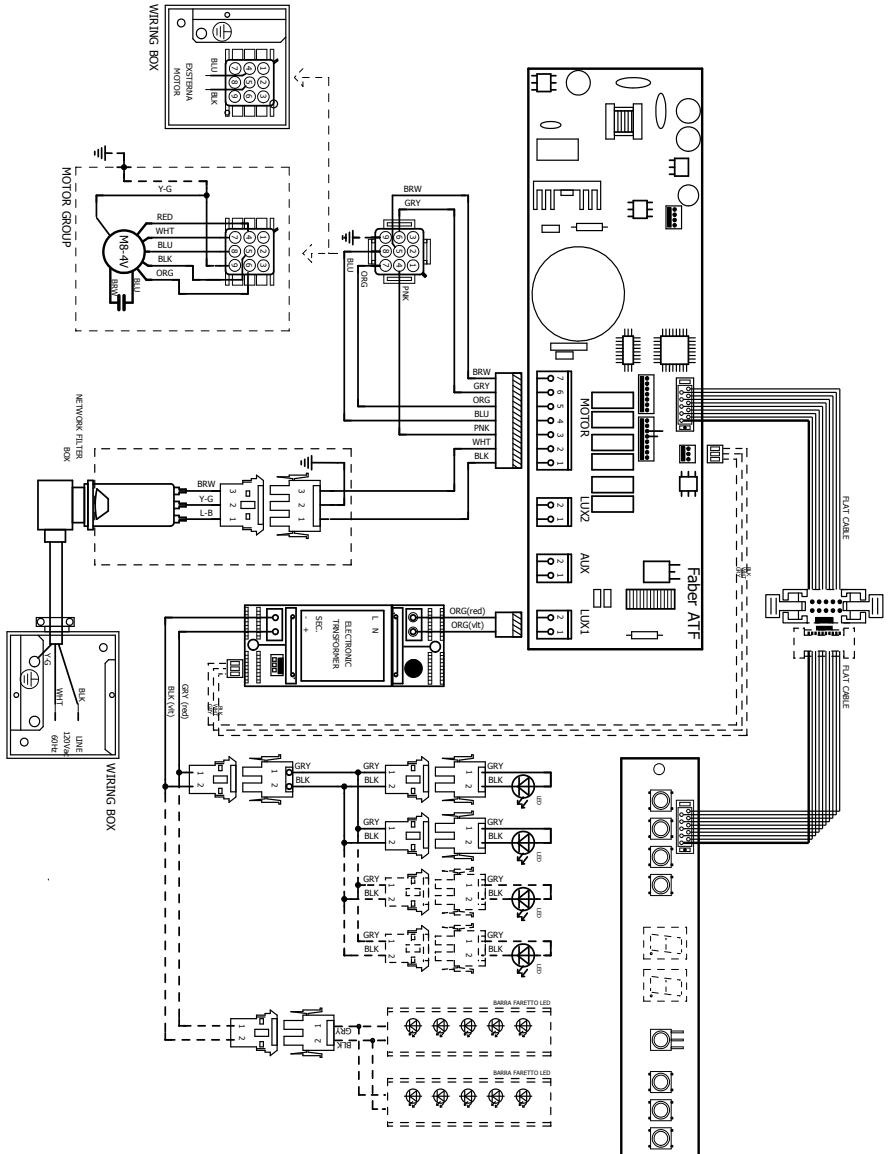
- Abra el Panel.
- Retire el filtro de grasa metálico.
- Retire los filtros saturados de carbón activado, como se indica (A).
- Coloque los nuevos filtros, como se indica (B).
- Reemplace los filtros de grasa metálicos.
- Cierre el panel.



Unidad de iluminación

- Las luces LED deben ser reemplazadas por el servicio autorizado por la fábrica Faber.

Diagrama de cableado



Esta garantía Aplica para USA y Canada



GARANTÍA Y SERVICIO AL CONSUMIDOR FABER

Todos los productos Faber están garantizados contra cualquier defecto de materiales o mano de obra para el comprador original por un período de 1 año a partir de la fecha de compra original (requiere prueba de compra). Esta garantía cubre mano de obra y piezas de repuesto. Faber, a su elección, puede reparar o reemplazar el producto o componentes necesarios para restaurar el producto en buenas condiciones de trabajo. Para obtener el servicio de garantía, póngase en contacto con el distribuidor de quien adquirió la campana extractora o con el distribuidor local de Faber. Si no puede identificar a un distribuidor local de Faber, comuníquese con nosotros al (508) 358-5353 para obtener el nombre de un distribuidor en su área.

Lo siguiente no está cubierto por la garantía de Faber:

1. Llamadas de servicio para corregir la instalación de su campana extractora, para instruirle sobre cómo usar su campana extractora, para reemplazar o reparar fusibles de la casa o para corregir el cableado de la casa o la plomería.
2. Llamadas de servicio para reparar o reemplazar las bombillas, fusibles o filtros de la campana extractora. Estas partes de consumibles están excluidas de la cobertura de la garantía.
3. Reparaciones, cuando su campana extractora se utiliza para uso doméstico distinto al normal.
4. Daños resultantes de accidente, alteración, mal uso, abuso, incendio, inundación, eventos naturales, instalación incorrecta, instalación no conforme a los códigos eléctricos o de plomería o la documentación de Faber, o uso de productos no aprobados por Faber.
5. Piezas de repuesto o costos de mano de obra de reparación para unidades operadas fuera de los Estados Unidos o Canadá, incluyendo cualquier campana de cocina Faber no aprobada por UL o C-UL.
6. Reparaciones a la campana resultantes de modificaciones no autorizadas a la misma.
7. Gastos de viaje y transporte para el servicio del producto en lugares remotos, y gastos de recogida y entrega. Las campanas de cocina Faber deben ser reparadas en el hogar.

ESTA GARANTÍA NO PERMITE LA RECUPERACIÓN DE DAÑOS INCIDENTALES O CONSECUENTES, INCLUYENDO, SIN LIMITACIÓN, DAÑOS DIRECTOS, INDIRECTOS, INCIDENTALES, ESPECIALES O CONSECUENTES, LESIONES PERSONALES O MUERTE INCORRECTA O BENEFICIOS PERDIDOS. LA GARANTÍA DE FABER SE LIMITA A LAS CONDICIONES ANTERIORES Y AL PERÍODO DE GARANTÍA ESPECIFICADO AQUÍ Y ES EXCLUSIVA. EXCEPTO DADO LO EXPRESAMENTE ESPECIFICADO EN ESTE ACUERDO, FABER RENUNCIA A TODAS LAS CONDICIONES, REPRESENTACIONES Y GARANTÍAS EXPRESAS O IMPLÍCITAS INCLUYENDO, SIN LIMITACIÓN, CUALQUIER GARANTÍA IMPLÍCITA DE COMERCIABILIDAD O ADECUACIÓN PARA UN PROPÓSITO PARTICULAR.

Esta garantía le otorga derechos legales específicos que pueden variar de estado a estado.

Modelo: _____ Número de serie _____

CE