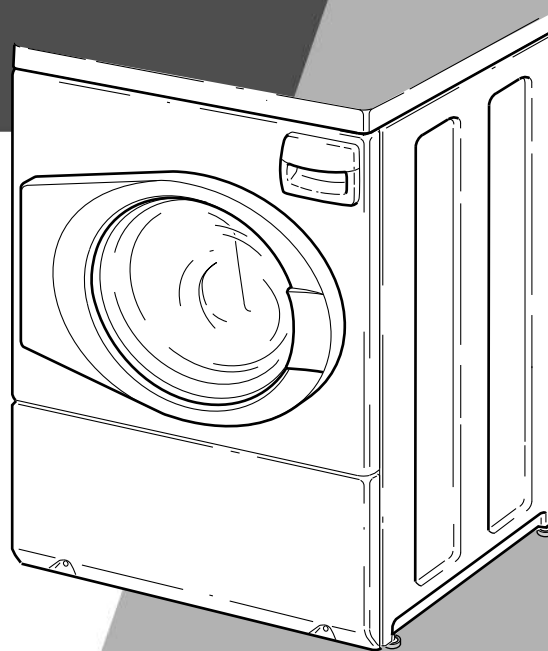


# User's Guide

## for Frontload Washers



FLW1554C\_SVG

### Original Instructions

Keep These Instructions for Future Reference.

**CAUTION:** Read the instructions before using the machine.

(If this machine changes ownership, this manual must accompany machine.)





## WARNING

Failure to install, maintain, and/or operate this machine according to the manufacturer's instructions may result in conditions which can produce bodily injury and/or property damage.

W030



## WARNING

For your safety and to reduce the risk of fire or an explosion, do not store or use gasoline or other flammable vapors and liquids in the vicinity of this or any other appliance.

W022

**NOTE: The WARNING and IMPORTANT instructions appearing in this manual are not meant to cover all possible conditions and situations that may occur. It must be understood that common sense, caution, and carefulness are factors which cannot be built into these washers. These factors MUST BE supplied by the person(s) installing, maintaining, or operating the unit.**

Always contact the distributor, service agent, or the manufacturer about any problems or conditions you do not understand.



Read all instructions before using unit.

This product uses FreeRTOS V7.2.0 ([www.freertos.org](http://www.freertos.org)).

# Register Your Product

## Welcome to the Speed Queen family.

Thank you for your support of our truly commercial quality products. Please take a moment to register your product.

## Benefits of registering your product:

- Provides verification of ownership
- Receive product notifications
- Simplifies warranty service, if needed
- Grants access to leave a product review
- Opt-in for latest offers and promotions

## It's quick and easy to register.

Simply go to:

[www.speedqueen.com/register/](http://www.speedqueen.com/register/)

Or scan:





# Safety Information


## Important Safety Instructions

### Explanation of Safety Messages

Precautionary statements (“DANGER,” “WARNING,” and “CAUTION”), followed by specific instructions, are found in this manual and on machine decals. These precautions are intended for the personal safety of the operator, user, servicer, and those maintaining the machine.

|   |               |
|---|---------------|
|                              | <b>DANGER</b> |
| Indicates an imminently hazardous situation that, if not avoided, will cause severe personal injury or death. |               |

|  |                |
|--|----------------|
|                   | <b>WARNING</b> |
| Indicates a hazardous situation that, if not avoided, could cause severe personal injury or death. |                |


|   |                |
|---|----------------|
|                                      | <b>CAUTION</b> |
| Indicates a hazardous situation that, if not avoided, may cause minor or moderate personal injury or property damage. |                |

Additional precautionary statements (“IMPORTANT” and “NOTE”) are followed by specific instructions.

**IMPORTANT:** The word “IMPORTANT” is used to inform the reader of specific procedures where minor machine damage will occur if the procedure is not followed.

**NOTE:** The word “NOTE” is used to communicate installation, operation, maintenance or servicing information that is important but not hazard related.

Save These Instructions

|  |                |
|--|----------------|
|   | <b>WARNING</b> |
| To reduce the risk of fire, electric shock, serious injury or death to persons when using your washer, follow these basic precautions: |                |
| W023   |                |

- Read all instructions before using the washer.
- Install the washer according to the INSTALLATION INSTRUCTIONS. Refer to the EARTH/GROUND INSTRUCTIONS in the INSTALLATION manual for the proper earth/ground connection of the washer. All connections for water, drain, electrical power and earth/ground must comply with local codes and be made by licensed personnel when required. Do not do it yourself.
- Do not install or store the washer where it will be exposed to water and/or weather.
- Do not wash articles that have been previously cleaned in, washed in, soaked in, or spotted with gasoline, dry-cleaning solvents, or other flammable or explosive substances as they give off vapors that could ignite or explode.
- Do not add the following substances or textiles containing traces of the following substances to the wash water: gasoline, kerosene, waxes, cooking oils, vegetable oils, machine oils, dry-cleaning solvents, flammable chemicals, thinners or other flammable or explosive substances. These substances give off vapors that could ignite, explode or cause the fabric to catch on fire by itself.
- Under certain conditions, hydrogen gas may be produced in a hot water system that has not been used for two weeks or more. HYDROGEN GAS IS EXPLOSIVE. If the hot water system has not been used for such a period, before using a washing machine or combination washer-dryer, turn on all hot water faucets and let the water flow from each for several minutes. This will release any accumulated hydrogen gas. THE GAS IS FLAMMABLE, DO NOT SMOKE OR USE AN OPEN FLAME DURING THIS TIME.
- To reduce the risk of an electric shock or fire, DO NOT use an extension cord or an adapter to connect the washer to the electrical power source.
- Do not allow children to play on or in the washer. Close supervision of children is necessary when the washer is used near children. This appliance is not intended for use by persons (including children) with reduced physical, sensory or mental capabilities, or lack of experience and knowledge, unless they have been given supervision or instruction concerning the use of the appliance by a person responsible for their safety. This is a safety rule for all appliances.
- Cleaning and user maintenance shall not be made by children without supervision.

## Safety Information

- Children less than three years should be kept away unless continuously supervised.
- Do not reach into the washer if the washtub or agitator, if applicable, is moving.
- Never operate the washer with any guards, panels and/or parts removed or broken. DO NOT tamper with the controls or bypass any safety devices.
- DO NOT operate individual units if they have been separated from a stack unit.
- Use your washer only for its intended purpose, washing clothes. Always follow the fabric care instructions supplied by the garment manufacturer.
- Always read and follow manufacturer's instructions on packages of laundry and cleaning aids. To reduce the risk of poisoning or chemical burns, keep them out of the reach of children at all times (preferably in a locked cabinet). Heed all warnings or precautions.
- Do not use fabric softeners or products to eliminate static unless recommended by the manufacturer of the fabric softener or product.
- Loading door MUST BE CLOSED any time the washer is to fill, tumble or spin. DO NOT bypass the loading door switch by permitting the washer to operate with the loading door open.
- Be sure water connections have a shut-off valve and that fill hose connections are tight. CLOSE the shut-off valves at the end of each wash day.
- Keep your washer in good condition. Bumping or dropping the washer can damage safety features. If this occurs, have your washer checked by a qualified service person.
- Do not repair or replace any part of the washer, or attempt any servicing unless specifically recommended in the user-maintenance instructions or in published user-repair instructions that you understand and have the skills to carry out. ALWAYS disconnect the washer from electrical supply before attempting any service.
- Disconnect the power cord by grasping the plug, not the cord. If the supply cord is damaged, it must be replaced by the manufacturer, its service agent or similarly qualified persons in order to avoid a hazard.
- Before the washer is removed from service or discarded, remove the lid or door to the washing compartment.
- Failure to install, maintain, and/or operate this washer according to the manufacturer's instructions may result in conditions which can produce bodily injury and/or property damage.

**NOTE: The WARNING and IMPORTANT SAFETY INSTRUCTIONS appearing in this manual are not meant to cover all possible conditions and situations that may occur. Observe and be aware of other labels and precautions that are located on the machine. They are intended to provide instruction for safe use of the machine. Common sense, caution and care must be exercised when installing, maintaining, or operating the washer.**

Always contact your dealer, distributor, service agent or the manufacturer about any problems or conditions you do not understand.

# Table of Contents

|                                     |           |
|-------------------------------------|-----------|
| <b>Safety Information.....</b>      | <b>5</b>  |
| Explanation of Safety Messages..... | 5         |
| Important Safety Instructions.....  | 5         |
| <br>                                |           |
| <b>Operation.....</b>               | <b>9</b>  |
| Before Washing.....                 | 9         |
| Loading the Washer.....             | 9         |
| Load Articles.....                  | 9         |
| <br>                                |           |
| <b>Control Panel.....</b>           | <b>11</b> |
| Digital Display.....                | 11        |
| Keypress Audio.....                 | 11        |
| Cycles.....                         | 11        |
| Heavy Duty.....                     | 11        |
| Whites.....                         | 11        |
| Normal.....                         | 11        |
| Perm Press.....                     | 11        |
| Bedding.....                        | 11        |
| Delicate.....                       | 11        |
| Quick Wash.....                     | 12        |
| Pet Plus TM Flea Cycle.....         | 12        |
| Sanitize with Oxi.....              | 12        |
| Spin.....                           | 12        |
| Tub Clean.....                      | 12        |
| Selections.....                     | 13        |
| Spin Speed.....                     | 13        |
| Soil Level.....                     | 13        |
| Options.....                        | 13        |
| Soak.....                           | 13        |
| Extra Rinse(s).....                 | 13        |
| Stain Boost.....                    | 14        |
| Delay Start.....                    | 14        |
| Status.....                         | 14        |
| To Wash Clothes.....                | 14        |
| Out of Balance Load.....            | 16        |
| <br>                                |           |
| <b>Cycle Operation.....</b>         | <b>17</b> |
| Common Washer Sounds.....           | 24        |
| Using Your Dispenser Drawer.....    | 25        |
| Detergent Compartments.....         | 25        |
| <br>                                |           |
| <b>Clothing Care.....</b>           | <b>27</b> |

|   |               |
|---|---------------|
| <b>Maintenance.....</b>                   | <b>29</b>     |
| Lubrication.....                          | 29            |
| Cold Weather Care.....                    | 29            |
| Care of Your Washer.....                  | 29            |
| Cleaning Glass Sealing Area.....          | 29            |
| Replacing Hoses.....                      | 29            |
| Filter Screens.....                       | 29            |
| Vacations and Extended Non-Use.....       | 29            |
| Reinstallation of Shipping Materials..... | 29            |
| Cleaning Foreign Object Trap.....         | 30            |
| Cleaning Door Seal Drain Holes.....       | 30            |
| Preventative Maintenance.....             | 31            |
| <br><b>Troubleshooting.....</b>           | <br><b>32</b> |
| Warranty Repairs.....                     | 37            |
| Contact Information.....                  | 37            |

# Operation

## Before Washing

### Prepare Wash Load

#### Empty Pockets and Cuffs

Make sure all pockets are empty and turn them inside out. One bobby pin, metal or plastic toy, nail or sharp object in a load can catch laundry, cause tears and plug the pump. Facial tissue left in a pocket will produce extreme “lint”. A crayon or lipstick in a wash load may cause stains that cannot be removed. Roll down cuffs and shake out grass, sand and gravel.

#### Mend Rips and Tears

Little holes can become bigger in the washer. Mend holes and tears before placing garments in the washer.

#### Close Zipper and Fasten Hooks

These can catch on garments in a wash load and tear them. Tie belts and sashes so they won't wind around clothes.

#### Put Small Items in Bag

Small items such as baby socks may get stuck around the door. Put them inside a mesh garment bag.

#### Check For Colorfastness

Squeeze a portion of garment in warm or hot sudsy water. If the color bleeds or runs, wash the item separately in cold water.

### Sort Items

Different items use different wash cycles and temperatures. Always follow the manufacturer's care label. Proper sorting is easy if you follow a few guidelines:

1. Sort by Color: Separate items into loads of whites, darks, lights and non-colorfast.
2. Sort by Fabric and Construction: Separate items into loads of cottons/linens, permanent press, synthetics/blends/poly knits, and delicates.
3. Sort by Temperature: Separate items into loads that can be washed in cold, warm or hot water.
4. Sort by Type and Amount of Soil: Heavily soiled clothes will need extra treatment. Lightly soiled clothes can become dingy if washed with heavily soiled items.
5. Sort Lint “Shedders” From Lint “Receivers”: Some fabrics attract lint and should not be washed with lint-shedding loads. Lint shedders are cottons, terry towels, chenille bedspreads, rugs and clothes that have been heavily bleached. Lint receivers are synthetics, permanent or durable press, knits (including socks), corduroy, and other smooth fabrics.

### Pretreat

Pretreat shirt collars and cuffs with a pretreat product or liquid detergent when placing them in the washer. Before washing, treat special stains individually.



## WARNING

**Do not wash or dry items soiled with vegetable or cooking oils. Some oils may remain after washing and may cause the fabric to catch on fire by itself.**

W527

## Loading the Washer

### Load Articles

- Load items by the amount of space they take up, not by their weight. Mix large and small items in a load to get the best washing results.
- Load items loosely into the wash drum. The bulk of the clothes rather than the weight will determine load size.

### Bulky Items

Use the Bedding cycle for bulky items such as blankets and comforters. The cycle includes gentle agitation to clean items delicately and thoroughly. The Extra Rinse(s) option may be selected to ensure complete removal of soap residue. A final spin extracts the moisture at a lower speed to maintain the load's balance and minimize wear to the articles.

### Load Sizes

- Load sizes vary. Small and large items should be washed together to create a balanced load. If washing a large item, two bath towels should be added to even the load.
- Smaller loads can create an unbalanced condition and cause premature wear on the washer. Do not hesitate to fill the entire inner drum of the washer. The load will compress a great deal when wet. This allows room for proper tumbling.

### Water Level

- The washer will automatically adjust the water level to the type and size of the load during any fill.

## Wash Temperature

### Hot

Hot water is the most effective for cleaning, but it is not recommended for all fabric types (read labels).

### Warm

The Warm Wash is useful for providing a thorough cleaning on light and moderately soiled clothing without damaging fabric or adding to color fading. Warm water also reduces wrinkling. Use with non-colorfast or dark colors, permanent press, silks, woolens, nylon, and acrylic.

### Cool (Select Models Only)

The Cool Wash temperature is useful for washing permanent press fabrics.

### Cold

The Cold Wash is ideal for delicate items. Although its cleaning abilities are not as great as with hot or warm water, it is useful for colors that bleed easily and for sensitive fabrics.

All rinses use cold water. It is the most beneficial for fabrics. Cold rinses reduce wrinkling and color fading. In addition, cold rinses will save money and energy.

**NOTE: In wash temperatures colder than 60°F [16°C], detergents do not dissolve well. This may cause ineffective cleaning, or lint and residue to form.**

**NOTE: Always follow manufacturer's care labels.**

## Wash Temperature Guide

| Water Temperature | Use  | Comments  |
|-------------------|--|---|
| HOT               | <ul style="list-style-type: none"> <li>Sturdy whites and colorfast items</li> <li>Work clothes</li> <li>Soiled items</li> <li>Diapers</li> </ul>   | <ul style="list-style-type: none"> <li>Best cleaning for items soiled with oily or greasy stains, grass, or ink.</li> </ul>                             |
| WARM              | <ul style="list-style-type: none"> <li>Light and moderately soiled items</li> <li>Non-colorfast or dark colors</li> <li>Permanent press</li> <li>Silks, woolens, nylon, acrylic</li> </ul> | <ul style="list-style-type: none"> <li>Reduces wrinkling in permanent press fabrics</li> <li>Less fading</li> <li>Reduces shrinking in knits</li> </ul> |
| COOL              | <ul style="list-style-type: none"> <li>Permanent press</li> <li>Silks, woolens, nylon, acrylic</li> </ul>  | <ul style="list-style-type: none"> <li>Less fading</li> <li>Reduces shrinking in knits</li> </ul>   |
| COLD              | <ul style="list-style-type: none"> <li>Non-colorfast fabrics</li> <li>Extra delicate clothing</li> </ul>   | <ul style="list-style-type: none"> <li>Saves energy</li> <li>Reduces color fading</li> <li>Reduces wrinkling</li> <li>Reduces shrinking</li> </ul>      |

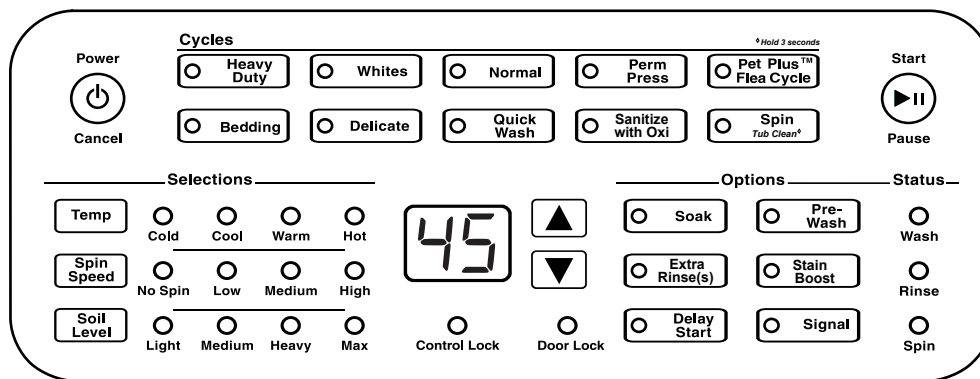
Table 1

## Energy

You can save energy when washing by following these guidelines:

1. Heating water accounts for the greatest energy expense when washing. Save on heating water by using warm or cold washes.
2. Wash full loads, but do not overload.
3. Use Soak option for heavily soiled items to reduce the need for higher soil level selections.

# Control Panel



FLW2503N\_SVG

## Digital Display

The two-digit display is used to show the time remaining in a cycle.

If the cycle time is over 99 minutes the control will display either 1H, 2H, etc., and then the additional minutes over one or two hours.

When the control is powered off, the right-most decimal in the display will flash every one to five minutes to indicate that the machine is in Idle Mode.

The display also shows diagnostic codes.

### Idle Mode

If no keypads have been pressed for five minutes after a cycle is finished, the control will enter Idle Mode. A light in the lower right corner of the digital display will flash every one to five minutes. Press the Power/Cancel keypad to exit this mode and power the display for cycle/option selection. This light will flash again after five minutes when it re-enters Idle Mode.

### Keypress Audio

The audio signal that sounds when a keypad is pressed can be turned on or off.

Press and hold both the Perm Press and Sanitize with Oxi keypads at the same time to turn the audio signal on or off.

## Cycles

The following cycle descriptions will help determine which cycle to choose depending on the type of laundry being washed. The descriptions are standard settings that may be modified using the Selections and Options.

The last cycle that is set, including selections and options, is saved even if the control is turned off.

### Heavy Duty

Use for sturdy items, like play or work clothes, towels, T-shirts, etc. The cycle includes a longer wash tumble and two rinses. The final spin extracts moisture at a high spin speed.

### Whites

This cycle is designed to keep white laundry white. It utilizes a longer, hot water wash tumble and two rinses. The final spin extracts moisture at a high spin speed.

### Normal

This cycle includes a wash tumble and two rinses, but uses less water than the other cycles. It also uses less hot water. Only the High Spin Speed is available in this cycle.

This cycle is recommended for washing everyday cottons and linens.

### Perm Press

Use for permanent press items and synthetics. This cycle includes a wash tumble and two rinses. The final spin extracts moisture at a low spin speed.

### Bedding

Use this cycle when washing bulky items such as blankets and comforters. The cycle includes a wash tumble and two rinses. A final spin extracts the moisture at a medium speed to maintain the load's balance and minimize wear to the articles.

### Delicate

Wash delicate items usually washed by hand on this cycle. The cycle includes a wash tumble and two rinses. The final spin extracts moisture at a low spin.

### Quick Wash

Wash lightly soiled items on this cycle. The cycle includes a short wash tumble followed by one rinse. The final spin extracts moisture at a high speed spin.

### Pet Plus™ Flea Cycle


The Pet Plus Flea Cycle is intended to help fight and control flea infestations by killing fleas on laundry items in the washer. The cycle can be an effective tool in eradicating fleas when used as part of a whole-household flea treatment regimen.

The cycle parameters, including temperature, soil, spin and options, are preset and cannot be changed. Cycle temperature is set to hot. The Pet Plus Flea Cycle has been independently verified to kill fleas found as adults, larvae and eggs on launderable items<sup>1</sup>. Results may vary; effectiveness is dependent on the following factors:

1. The washer hot water supply connection must provide a minimum of 120° Fahrenheit [49° Celsius].
2. The load must be of average size.<sup>2</sup>
3. The cycle must run without interruption.

**NOTE: This cycle has been designed and tested as a tool in fighting a flea infestation. The cycle will kill fleas on laundry items in the washer, however, fleas increase in numbers exponentially. If a clean item comes in contact with an infested item, the clean item can easily become infested again. For this reason, it is important to implement a whole-household flea treatment regimen.**

**NOTE: Due to water and energy usage, it is not recommended to use this cycle except for flea infestation control purposes.**

|  |                |
|--|----------------|
|   | <b>WARNING</b> |
| <b>This cycle is only intended for laundry items such as clothing, bedding and pet items. It is not intended for pets or people.</b> |                |

### Sanitize with Oxi

The Sanitize with Oxi cycle has been verified to reduce 99.9% of bacteria found in the typical household laundry load when used with an Oxi additive in addition to detergent. In addition there is no significant contamination transferred to later washer loads.

The water temperature is set to Hot and can't be changed for this cycle. The washer hot water supply connection must provide a minimum of 120° Fahrenheit [49° Celsius] to make sure the cycle is effective.

1. Follow the detergent and the Oxi product label instructions.
2. Use the amount suggested for a large, heavily soiled load. Measure carefully.
3. Place the Oxi product directly in the bottom of the wash basket before adding clothes.

### Spin

Use this cycle to extract water from wet items. The cycle uses the high spin.

To quickly rinse items, add the Extra Rinse Option.

### Tub Clean

Use this cycle to clean the washtub and keep the washer performing at its best. This is a preset hot water cycle with a low spin. It can be used on its own or with an added cleaning agent such as bleach, distilled white vinegar, or a washing machine tub cleaner for an extra cleaning boost.

Refer to the following:

1. Make sure washtub is empty.
2. Add the cleaning agent. If using a commercial washing machine tub cleaner, follow the package instructions. If not using a commercial washing machine tub cleaner, refer to the following.
  - a. Bleach: Add to the liquid bleach compartment and washtub.
  - b. Vinegar: Add to the liquid bleach compartment and washtub. Rinse liquid bleach compartment with water before adding vinegar.
  - c. Liquid or powder: Add to main wash detergent compartment of dispenser drawer.
  - d. Tablet: Add directly to washtub. If residue remains after cycle is complete, run a second cycle without additives.
3. Hold Spin keypad for 3 seconds. The control will flash between TC and cycle time.
4. After cycle is complete, leave the door open so the washtub can dry and ventilate.

|   |               |
|---|---------------|
|  | <b>DANGER</b> |
| <b>Mixing bleach and vinegar creates toxic chlorine gas.</b>                        |               |

<sup>1</sup> The Pet Plus Flea Cycle was independently tested and verified to kill fleas using adult, larvae and egg life stages of Cat Flea [Ctenocephalides felis] on 9 lb AHAM loads.

<sup>2</sup> The average load size for a 3.5 to 3.6 cu. ft. washer is 8.8 lbs, as determined by the Department of Energy. [Uniform Test Method for Measuring the Energy Consumption of Automatic and Semi-automatic Clothes Washers, 10 C.F.R., Ch. 11, Pt. 430, Subpt. B, App. J2 (2017)]

**NOTE: The washtub must be empty while using the Tub Clean feature, otherwise damage to items may occur.**

**NOTE: Regular cleaning intervals will keep the unit performing at its best. Along with running the Tub Clean cycle, it is recommended to regularly clean the dispenser drawer and door gasket. Refer to *To Clean the Dispenser and Cleaning Glass Sealing Area*.**

## Selections

The following selections can be used to modify the currently chosen cycle. The default selections will be lit after choosing a cycle.

### Temp

Press the Temp keypad to change the cycle's wash water temperature from the default selection to Cold, Cool, Warm, or Hot.

|   |                |
|---|----------------|
|  | <b>WARNING</b> |
| <b>Window may be hot in the Hot Wash Cycle.</b>                                   |                |
| W326  |                |

### Spin Speed

The Spin Speed selection will change the cycle's final spin from the default speed to No Spin, Low, Medium, or High spin.

The spin's RPM speed depends on both the Spin Speed and the Cycle that is selected.

**NOTE: Spin speed may be limited due to out-of-balance conditions.**

| Cycle                  | No Spin | Low | Medium | High |
|------------------------|---------|-----|--------|------|
| Heavy Duty             | 0       | 800 | 1000   | 1200 |
| Whites                 | 0       | 650 | 1000   | 1200 |
| Normal                 | 0       | 800 | 1000   | 1200 |
| Perm Press             | 0       | 400 | 650    | 800  |
| Pet Plus<br>Flea Cycle | 0       | 800 | N/A    | N/A  |
| Bedding                | 0       | 400 | 475    | 550  |
| Delicate               | 0       | 400 | 475    | 550  |
| Quick Wash             | 0       | 800 | 1000   | 1200 |
| Sanitize<br>with Oxi   | 0       | 650 | 1000   | 1200 |

Table continues...

| Cycle     | No Spin | Low | Medium | High |
|-----------|---------|-----|--------|------|
| Spin      | 0       | 650 | 1000   | 1200 |
| Tub Clean | 0       | 400 | N/A    | N/A  |

### Soil Level

Changing the Soil Level keypad will add or subtract wash time in the selected cycle.

Choose Light, Medium, Heavy or Max according to the amount of soil in the laundry load. Light is the minimum and Max is the maximum amount of time.

The Soil Level LED will flash to indicate that you can also adjust the Wash Time using the up and down arrow keypads. The time is increased or decreased by one minute.

## Options

The following options can be used to modify the currently chosen cycle, signal volume and control lock.

### Soak

The Soak option is added to the beginning of the cycle. Use this option for heavily soiled or stained clothing. The washtub will fill with water, agitate for a reduced period of time, and pause for the set amount of time.

Press the Soak keypad to enable the selection mode. The Soak LED will flash to indicate that soak time can be set. Adjust the soak time by pressing the Soak keypad again or the up and down arrow keypads. The time will increase by 15 minutes up to an hour and then go up by one hour increments. The maximum soak time is 24 hours.

To exit the selection mode after setting the desired soak time, either press the Start/Pause to begin the cycle or press another Selections or Options keypad to further modify the currently chosen cycle.

The soak LED also will flash during any soak portion of the cycle.

### Pre-Wash

The Pre-Wash option adds a second wash to the selected cycle.

**NOTE: While the Pre-Wash option is selected, the Stain Boost (select models) option cannot also be selected.**

### Extra Rinse(s)

This option will provide up to 3 additional rinses to the selected cycle. It is useful for detergent sensitive skin. The water temperature will be cold.

Press the Extra Rinse(s) keypad to enable the selection mode; the Extra Rinse(s) LED will flash to indicate that the amount of

## Control Panel

rinses can be set. The digital display will cycle between the number of extra rinses and total cycle time. A default selection of 1 extra rinse will be displayed after entering the selection mode. Set the amount of extra rinses by pressing the Extra Rinse(s) keypad again or pressing the up and down arrow keypads.

To exit the selection mode after setting the desired number of rinses, either press the Start/Pause button to begin the cycle or press another Selections or Options keypad to further modify the current chosen cycle.

### Stain Boost

The Stain Boost option can be added to most cycles to help treat tough stains, including loads that have mixed stains requiring both cold and warm/hot water. Stain Boost initiates a 20 minute, cold water wash before continuing with the selected cycle. To also treat warm/hot water stains, set the main cycle temp to Warm or Hot. For additional treatment strength, add detergent to the Pre-Wash compartment of the dispenser drawer.

**NOTE: While the Stain Boost option is selected, the Pre-Wash option cannot also be selected.**

### Delay Start

Pressing the Delay Start Option will allow the cycle to begin up to 24 hours later. Pressing it once will delay the cycle by one hour and *1h* will display on the control. Press the Delay Start keypad again or the up arrow keypad. The time will increase by one hour. Press the Start/Pause keypad to begin the countdown.

While setting the Delay Start Option, the cycle time and the Delay Start keypad light will flash (1 second on/off).

After the Delay Start Option is started, the Delay Start keypad light will flash (1 second on/off).

### Signal

Pressing the Signal keypad will change the end of cycle signal volume. There are four settings: Off, Low, Medium, High.

### Control Lock (Secure keypad)

Pressing and holding the Signal keypad for three seconds will turn on the Control Lock. The Control Lock status light will be lit. While Control Lock is on, no other keypad presses are allowed. Press and hold the Signal keypad again to turn the option off.

## Status

The Status lights are lit during the cycle to show what part of the cycle is running.

|           |   |
|-----------|---|
| Wash      | The Wash status light is lit during the wash portion of the cycle including Pre-Wash and Soak, if selected.               |
| Rinse     | The Rinse status light is lit during the rinse portions of the cycle including Second Rinse and Third Rinse, if selected. |
| Spin      | The Spin status light is lit during the final spin portion of the cycle.  |
| Door Lock | The Door Lock status light is lit whenever the door is locked. The door cannot be opened while it is lit.                 |

While the door is locking, the door lock status light flashes (1 second on/1 second off). While unlocking, the door lock status light stays lit and the cycle time flashes (1 second on/1 second off).

## To Wash Clothes

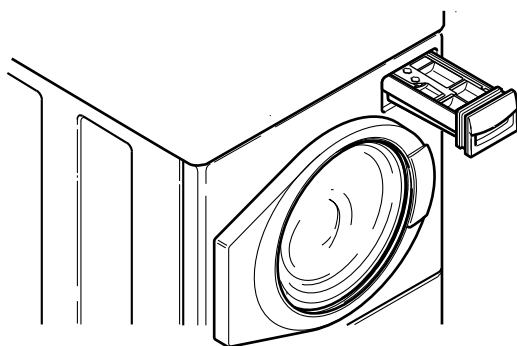
**IMPORTANT: Before using your new washer, make sure the washer cord is connected to an appropriate electrical outlet that is properly installed and connected to a protective earth/ground. Make sure the washer hoses are connected to the hot and cold water faucets, and that the faucets are turned on. Be sure the drain hose is not kinked and is inserted into a drain. Refer to the INSTALLATION INSTRUCTIONS for details of proper washer installation.**

**IMPORTANT: Prior to first wash, use an all purpose cleaner, or a detergent and water solution, and a damp cloth to remove shipping dust from inside of wash drum.**

1. Get the clothes ready for washing. Empty pockets and cuffs. Sort items into separate loads. Pretreat stains and heavily soiled areas.

**IMPORTANT: Remove all sharp objects from laundry to avoid tears and rips to items during normal machine operation.**

2. Measure and add low sudsing, high efficiency (HE) detergent, fabric softener and bleach to the dispenser drawer. Refer to section on Using Your Dispenser Drawer. Follow instructions on detergent package for amount to use.



FLW2457N\_SVG

**NOTE:** High efficiency (HE) detergents are designed especially for frontload washers to reduce oversudsing and maximize cleaning results. Look for the HE logo or “high efficiency” on the detergent’s label.

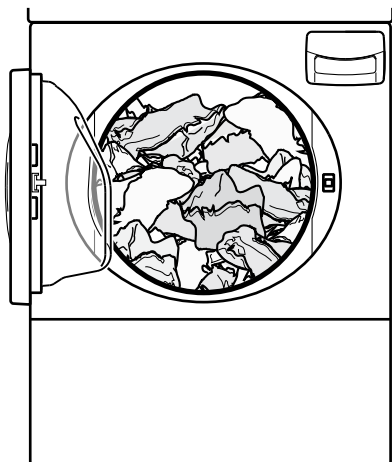


**IMPORTANT:** If using non-HE detergent, avoid oversudsing by using only 1/2 of the detergent manufacturer’s recommended amount.

**IMPORTANT:** If using single-load laundry detergent packets or 3-in-1 laundry sheets, do not place them in the dispenser drawer. Place them directly in the washtub with clothes.

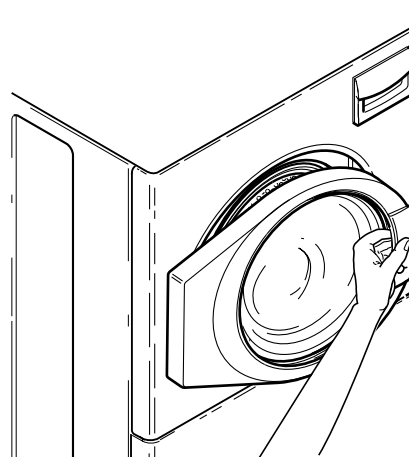
- Load clothes into wash drum (21.5 pounds maximum dry clothes load). Refer to section on Load Sizes.

**NOTE:** Small items such as baby socks may get caught around the door. Place these articles inside a mesh garment bag.



FLW2458N\_SVG

- Close the loading door tightly. The washer will not operate with the loading door open.



FLW2459N\_SVG

|   |                |
|---|----------------|
|   | <b>WARNING</b> |
| <p>To reduce the risk of serious injury, do not bypass the loading door switch by permitting the washer to tumble or spin with the loading door open.</p> |                |
| W095  |                |

- If not already on (control lights will be lit), turn on the washer. Press the Power button to turn on the washer.

**NOTE:** You will not be able to press the Start/ Pause button to start a cycle until five seconds after turning on the washer. A status light will flash during this warm-up period.

- Select the cycle according to the type of fabric being washed. If the selected cycle is not the correct cycle for the fabric being washed, you may change the cycle selection at any time until the first wash fill is complete.

**NOTE:** The Normal cycle is recommended for everyday cottons and linens.

- If desired change the Selections and Options settings.
- Press the Start/Pause button to begin the cycle. The Door Lock light will come on after a short delay and the cycle will begin.

**NOTE:** If the door is open when trying to start a cycle, the display will show “do” and cycle time (1 second on/1 second off).

If items need to be added or removed after a cycle has started, press the Start/Pause button. After the door unlocks and the Door Lock light goes out, open the door to add or remove laundry.

## Control Panel

While a cycle is paused, the display will show the cycle time remaining and **5L** to restart the cycle. Close the door and press the Start/Pause button to resume the cycle.

The Door Lock light will flash while the door re-locks.

**NOTE: If water needs to be removed before opening the door, run a Spin cycle to pump water out of the washer.**

## Out of Balance Load

If at the end of the cycle the load is dripping wet, the washer has limited the spin speed. This is to prevent damage to the unit if there is a severely unbalanced load.

If this condition occurs, redistribute the load manually and run a SPIN cycle.

If the condition persists, consider steps discussed in the Before Washing section.

# Cycle Operation

The cycles of your washer include several different stages. Refer to the table below for what can be expected during the cycles that you select.

The washer operates by gently tumbling the clothing through the water. The wash action consists of a period of tumbling in one direction, a brief pause, and then a reverse tumble in the opposite direction. The pauses are part of the tumble action and add to the unique cleaning capabilities of the washer. They are part of the cycle.

The wash and rinse spins utilize a “ramp spin” action. The wash drum starts rotating clockwise at a low speed and then gradually spins up to higher speeds to efficiently extract water.

The cycle stages are dependent on the cycle, selections and options chosen.

The times listed are approximate and will vary depending on the selections and options chosen.

**NOTE: The rinse water temperature will be cold, including when optional rinses are selected.**

**NOTE: If No Spin is selected, all spin stages are one minute of drain and tumble.**

| Heavy Duty, Whites, Perm Press, Bedding and Quick Wash Cycles |                  |  |   |   |
|---|------------------|--|---|---|
| Cycle Stage   | Activity         | Time (minutes)   | Speed   | Comments  |
| Initial Drain   | Drain            | 0:10   | Off   | Removes water that might be left over from previous cycle |
| Wetting   | Fill/Tumble      | 2:30   | Wetting Agitate   |   |
| Stain Boost   | Fill/Tumble      | 21:00  | Regular Agitate, Distribute   | Option  |
| Soak  | Fill/Tumble/Soak | 34:00  | Low Agitate, Off, Soak Agitate, Off, Distribute   | Option  |
| Pre-Wash  | Fill/Tumble      | 7:00   | Regular Agitate, Distribute   | Option  |
| Wash  | Fill/Tumble      | Heavy Duty = 15:00<br>Whites = 20:00<br>Perm Press = 12:00<br>Bedding = 11:00<br>Quick Wash = 4:00 | Heavy Duty = Regular Agitate, Distribute<br>Whites = Regular Agitate, Distribute<br>Perm Press = Regular Agitate, Distribute<br>Bedding = Regular Agitate, Distribute<br>Quick Wash = Regular Agitate, Distribute |   |
| Spin  | Spin             | 4:35   | Ramp Spin   |   |
| Rinse   | Fill/Tumble      | 3:25   | Regular Agitate, Distribute   | Not active in Quick Wash Cycle                            |

*Table continues...*

| <b>Heavy Duty, Whites, Perm Press, Bedding and Quick Wash Cycles</b> |                  |   |  |                                |
|--|------------------|---|--|--------------------------------|
| <b>Cycle Stage</b>   | <b>Activity</b>  | <b>Time (minutes)</b>                     | <b>Speed</b>   | <b>Comments</b>                |
| Spin   | Spin             | 4:35                                      | Ramp Spin  | Not active in Quick Wash Cycle |
| Extra Rinse 1  | Fill/Tumble      | 3:25                                      | Regular Agitate, Distribute  | Option                         |
|  | Spin             | 4:35                                      | Ramp Spin  | Option                         |
| Extra Rinse 2  | Fill/Tumble      | 3:25                                      | Regular Agitate, Distribute  | Option                         |
|  | Spin             | 4:35                                      | Ramp Spin  | Option                         |
| Extra Rinse 3  | Fill/Tumble      | 3:25                                      | Regular Agitate, Distribute  | Option                         |
|  | Spin             | 4:35                                      | Ramp Spin  | Option                         |
| Final Rinse  | Fill/Tumble/Spin | 3:25                                      | Regular Agitate, Distribute, Ramp Spin   |                                |
| Final Spin   | Spin             | Bedding = 8:20<br>All Other Cycles = 9:20 | Heavy Duty = High Spin<br>Whites = High Spin<br>Perm Press = Low Spin<br>Bedding = Medium Spin<br>Quick Wash = High Spin |                                |
| Fluff  | Tumble           | 2:00                                      | Breakaway Agitate  |                                |

| <b>Normal Cycle</b> |                 |                       |                             |   |
|---------------------|-----------------|-----------------------|-----------------------------|---|
| <b>Cycle Stage</b>  | <b>Activity</b> | <b>Time (minutes)</b> | <b>Speed</b>                | <b>Comments</b>   |
| Initial Drain       | Drain           | 0:05                  | Off                         | Removes water that might be left over from previous cycle |
| Wetting             | Fill/Tumble     | 1:00                  | Wetting Agitate             |   |
| Stain Boost         | Fill/Tumble     | 21:00                 | Regular Agitate, Distribute | Option  |

Table continues...

| <b>Normal Cycle</b> |                  |                       |  |                 |
|---------------------|------------------|-----------------------|--|-----------------|
| <b>Cycle Stage</b>  | <b>Activity</b>  | <b>Time (minutes)</b> | <b>Speed</b>                                       | <b>Comments</b> |
| Soak                | Fill/Tumble/Soak | 34:00                 | Low Agitate, Off, Soak<br>Agitate, Off, Distribute | Option          |
| Pre-Wash            | Fill/Tumble      | 7:00                  | Regular Agitate, Dis-<br>tribute                   | Option          |
| Wash                | Fill/Tumble      | 14:00                 | Regular Agitate, Dis-<br>tribute                   |                 |
| Spin                | Spin             | 3:30                  | Ramp Spin  |                 |
| Rinse               | Fill/Tumble      | 3:10                  | Regular Agitate, Dis-<br>tribute                   |                 |
| Spin                | Spin             | 3:30                  | Ramp Spin  |                 |
| Extra Rinse 1       | Fill/Tumble      | 3:10                  | Regular Agitate, Dis-<br>tribute                   | Option          |
|                     | Spin             | 3:30                  | Ramp Spin  | Option          |
| Extra Rinse 2       | Fill/Tumble      | 3:10                  | Regular Agitate, Dis-<br>tribute                   | Option          |
|                     | Spin             | 3:30                  | Ramp Spin  | Option          |
| Extra Rinse 3       | Fill/Tumble      | 3:10                  | Regular Agitate, Dis-<br>tribute                   | Option          |
|                     | Spin             | 3:30                  | Ramp Spin  | Option          |
| Final Rinse         | Fill/Tumble/Spin | 3:10                  | Regular Agitate, Dis-<br>tribute, Ramp Spin        |                 |
| Final Spin          | Spin             | 8:40                  | High Spin  |                 |
| Fluff               | Tumble           | 0:55                  | Breakaway Agitate                                  |                 |

| <b>Delicate Cycle</b> |                 |                       |                 |   |
|-----------------------|-----------------|-----------------------|-----------------|---|
| <b>Cycle Stage</b>    | <b>Activity</b> | <b>Time (minutes)</b> | <b>Speed</b>    | <b>Comments</b>   |
| Initial Drain         | Drain           | 0:10                  | Off             | Removes water that<br>might be left over<br>from previous cycle |
| Wetting               | Fill/Tumble     | 2:30                  | Wetting Agitate |   |

*Table continues...*

| <b>Delicate Cycle</b> |                        |                       |   |                 |
|-----------------------|------------------------|-----------------------|---|-----------------|
| <b>Cycle Stage</b>    | <b>Activity</b>        | <b>Time (minutes)</b> | <b>Speed</b>                                    | <b>Comments</b> |
| Stain Boost           | Fill/Tumble            | 21:00                 | Regular Agitate, Distribute                     | Option          |
| Soak                  | Fill/Tumble/Soak       | 34:00                 | Low Agitate, Off, Soak Agitate, Off, Distribute | Option          |
| Pre-Wash              | Fill/Tumble            | 7:00                  | Hand Wash Agitate, Distribute                   | Option          |
| Wash                  | Fill/Tumble/Distribute | 8:00                  | Hand Wash Agitate, Distribute                   |                 |
| Rinse                 | Fill/Tumble/Distribute | 4:25                  | Hand Wash Agitate, Distribute                   |                 |
| Extra Rinse 1         | Fill/Tumble/Distribute | 4:25                  | Hand Wash Agitate, Distribute                   | Option          |
| Extra Rinse 2         | Fill/Tumble/Distribute | 4:25                  | Hand Wash Agitate, Distribute, PS               | Option          |
| Extra Rinse 3         | Fill/Tumble/Distribute | 4:25                  | Hand Wash Agitate, Distribute, PS               | Option          |
| Final Rinse           | Fill/Tumble            | 3:25                  | Hand Wash Agitate, Distribute, PS               |                 |
| Final Spin            | Spin                   | 7:20                  | Low Spin  |                 |
| Fluff                 | Tumble                 | 1:10                  | Breakaway Agitate                               |                 |

| <b>Sanitize with Oxi Cycle</b> |                  |                       |   |   |
|--------------------------------|------------------|-----------------------|---|---|
| <b>Cycle Stage</b>             | <b>Activity</b>  | <b>Time (minutes)</b> | <b>Speed</b>                                    | <b>Comments</b>   |
| Initial Drain                  | Drain            | 0:10                  | Off   | Removes water that might be left over from previous cycle |
| Wetting                        | Fill/Tumble      | 2:30                  | Wetting Agitate                                 |   |
| Stain Boost                    | Fill/Tumble      | 21:00                 | Regular Agitate, Distribute                     | Option  |
| Soak                           | Fill/Tumble/Soak | 34:00                 | Low Agitate, Off, Soak Agitate, Off, Distribute | Option  |
| Pre-Wash                       | Fill/Tumble      | 7:00                  | Sanitize Agitate, Distribute                    | Option  |

*Table continues...*

| <b>Sanitize with Oxi Cycle</b> |                  |                       |   |                 |
|--------------------------------|------------------|-----------------------|---|-----------------|
| <b>Cycle Stage</b>             | <b>Activity</b>  | <b>Time (minutes)</b> | <b>Speed</b>                            | <b>Comments</b> |
| Wash                           | Fill/Tumble      | 60:00                 | Sanitize Agitate, Distribute            |                 |
| Spin                           | Spin             | 6:00                  | Ramp Spin                               |                 |
| Rinse                          | Fill/Tumble      | 5:20                  | Sanitize Agitate, Distribute            |                 |
| Spin                           | Spin             | 6:00                  | Ramp Spin                               |                 |
| Extra Rinse 1                  | Fill/Tumble      | 5:20                  | Sanitize Agitate, Distribute            | Option          |
|                                | Spin             | 6:00                  | Ramp Spin                               | Option          |
| Extra Rinse 2                  | Fill/Tumble      | 5:20                  | Sanitize Agitate, Distribute            | Option          |
|                                | Spin             | 6:00                  | Ramp Spin                               | Option          |
| Extra Rinse 3                  | Fill/Tumble      | 5:20                  | Sanitize Agitate, Distribute            | Option          |
|                                | Spin             | 6:00                  | Ramp Spin                               | Option          |
| Final Rinse                    | Fill/Tumble/Spin | 5:20                  | Sanitize Agitate, Distribute, Ramp Spin |                 |
| Final Spin                     | Spin             | 12:40                 | High Spin                               |                 |
| Fluff                          | Tumble           | 2:00                  | Breakaway Agitate                       |                 |

| <b>Pet Plus Flea Cycle</b> |                  |                       |   |   |
|----------------------------|------------------|-----------------------|---|---|
| <b>Cycle Stage</b>         | <b>Activity</b>  | <b>Time (minutes)</b> | <b>Speed</b>                                    | <b>Comments</b>   |
| Initial Drain              | Drain            | 0:10                  | Off   | Removes water that might be left over from previous cycle |
| Wetting                    | Fill/Tumble      | 2:30                  | Wetting Agitate                                 |   |
| Stain Boost                | Fill/Tumble      | 21:00                 | Regular Agitate, Distribute                     | Option  |
| Soak                       | Fill/Tumble/Soak | 34:00                 | Low Agitate, Off, Soak Agitate, Off, Distribute | Option  |

*Table continues...*

| <b>Pet Plus Flea Cycle</b> |                  |                       |  |                 |
|----------------------------|------------------|-----------------------|--|-----------------|
| <b>Cycle Stage</b>         | <b>Activity</b>  | <b>Time (minutes)</b> | <b>Speed</b>                           | <b>Comments</b> |
| Pre-Wash                   | Fill/Tumble      | 7:00                  | Regular Agitate, Distribute            | Option          |
| Wash                       | Fill/Tumble      | 4                     | Regular Agitate, Distribute            |                 |
| Spin                       | Spin             | 4:35                  | Ramp Spin                              |                 |
| Rinse 1                    | Fill/Tumble      | 3:25                  | Regular Agitate, Distribute            |                 |
| Spin                       | Spin             | 4:35                  | Ramp Spin                              |                 |
| Rinse 2                    | Fill/Tumble      | 5:20                  | Sanitize Agitate, Distribute           |                 |
|                            | Spin             | 6:00                  | Ramp Spin                              |                 |
| Rinse 3                    | Fill/Tumble      | 5:20                  | Sanitize Agitate, Distribute           |                 |
|                            | Spin             | 6:00                  | Ramp Spin                              |                 |
| Rinse 4                    | Fill/Tumble      | 60:00                 | Regular Agitate, Distribute            |                 |
|                            | Spin             | 6:00                  | Ramp Spin                              |                 |
| Final Rinse                | Fill/Tumble/Spin | 5:20                  | Regular Agitate, Distribute, Ramp Spin |                 |
| Final Spin                 | Spin             | 12:40                 | High Spin                              |                 |
| Fluff                      | Tumble           | 2:00                  | Breakaway Agitate                      |                 |

| <b>Spin Cycle</b>  |                  |                       |   |   |
|--------------------|------------------|-----------------------|---|---|
| <b>Cycle Stage</b> | <b>Activity</b>  | <b>Time (minutes)</b> | <b>Speed</b>                                    | <b>Comments</b>   |
| Initial Drain      | Drain            | 0:10                  | Off   | Removes water that might be left over from previous cycle |
| Stain Boost        | Fill/Tumble      | 21:00                 | Regular Agitate, Distribute                     | Option  |
| Soak               | Fill/Tumble/Soak | 34:00                 | Low Agitate, Off, Soak Agitate, Off, Distribute | Option  |

*Table continues...*

| Spin Cycle    |             |                |                             |          |
|---------------|-------------|----------------|-----------------------------|----------|
| Cycle Stage   | Activity    | Time (minutes) | Speed                       | Comments |
| Pre-Wash      | Fill/Tumble | 7:00           | Regular Agitate, Distribute | Option   |
| Extra Rinse 1 | Fill/Tumble | 3:25           | Regular Agitate, Distribute | Option   |
|               | Spin        | 4:35           | Ramp Spin                   | Option   |
| Extra Rinse 2 | Fill/Tumble | 3:25           | Regular Agitate, Distribute | Option   |
|               | Spin        | 4:35           | Ramp Spin                   | Option   |
| Extra Rinse 3 | Fill/Tumble | 3:25           | Regular Agitate, Distribute | Option   |
|               | Spin        | 4:35           | Ramp Spin                   | Option   |
| Final Spin    | Spin        | 9:20           | High Spin                   |          |
| Fluff         | Tumble      | 1:30           | Breakaway Agitate           |          |

| Tub Clean Cycle |                  |                |  |   |
|-----------------|------------------|----------------|--|---|
| Cycle Stage     | Activity         | Time (minutes) | Speed                                  | Comments  |
| Initial Drain   | Drain            | 0:10           | Off                                    | Removes water that might be left over from previous cycle |
| Wetting         | Fill/Tumble      | 2:30           | Wetting Agitate                        |   |
| Wash            | Fill/Tumble      | 26:00          | Tub Clean Agitate, Distribute          |   |
| Spin            | Spin             | 4:35           | Ramp Spin                              |   |
| Rinse           | Fill/Tumble      | 3:25           | Regular Agitate, Distribute            |   |
| Spin            | Spin             | 4:35           | Ramp Spin                              |   |
| Final Rinse     | Fill/Tumble/Spin | 3:25           | Regular Agitate, Distribute, Ramp Spin |   |
| Final Spin      | Spin             | 4:00           | High Spin                              |   |

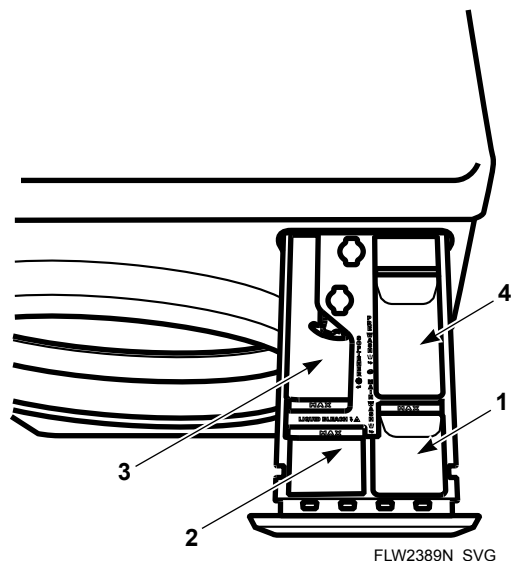
*Table continues...*

| Tub Clean Cycle |          |                |                   |          |
|-----------------|----------|----------------|-------------------|----------|
| Cycle Stage     | Activity | Time (minutes) | Speed             | Comments |
| Fluff           | Tumble   | 1:00           | Breakaway Agitate |          |

## Common Washer Sounds

| Sounds       | Cause   |
|--------------|---|
| Accelerating | This sound is heard during the spin portions of every cycle.  |
| Tapping      | These sharp sounds may come from metal fasteners, zippers, belt buckles or coins hitting the wash drum or door glass.   |
| Thumping     | Washer may be out of balance. Washer is designed to balance the load. If the washer is severely unbalanced, press the Start/Pause button and redistribute the load.   |
| Rumbling     | Washer may not be level. Stop washer and adjust leveling legs. Refer to INSTALLATION INSTRUCTIONS for details.  |
| Clicking     | <p>A clicking noise may be heard when the door locks and unlocks, and from the balance ring during the agitate part of the cycle.</p> <p>When rotating the tub slowly you will hear the balance balls click together. This noise is normal and does not require a service call.</p> |

## Using Your Dispenser Drawer



1. Main Wash Detergent
2. Liquid Bleach
3. Fabric Softener
4. Pre-Wash and Stain Boost Detergent

Figure 1

### Detergent Compartments

The detergent compartments are located on the right side of the dispenser drawer. The front compartment is for detergent used in the main wash. Refer to compartment 1 of illustration. If a Pre-Wash or Stain Boost option is selected, liquid wash detergent added to the main wash compartment may run into the load during the Pre-Wash or Stain Boost interval. To avoid this, use powdered detergent in the main wash compartment when selecting a Pre-Wash or Stain Boost option. The rear compartment can be filled with detergent for the Pre-Wash or Stain Boost options if one is selected on the control panel. Refer to compartment 4 of *Figure 1*.

Use low sudsing, high efficiency (HE) powdered or liquid detergents that are recommended for use with frontload washers. Powdered bleach can also be used in the dispenser along with the detergent.

**NOTE: High efficiency (HE) detergents are designed especially for frontload washers to reduce oversudsing and maximize cleaning results. Look for the HE logo or “high efficiency” on the detergent’s label.**



**NOTE: If using non-HE detergent, avoid oversudsing by using only 1/2 of the detergent manufacturer’s recommended amount.**

**IMPORTANT: If using single-load laundry detergent packets or 3-in-1 laundry sheets, do not place them in the dispenser drawer. Place them directly in the wash-tub with clothes.**

When adding detergent, use only the recommended amount. Do not fill the compartment over the maximum level indicated on the drawer. Adding too much detergent or using regular sudsing detergent could result in an oversudsing condition, which would require additional rinsing with cold water. Use care when adding detergent so as not to spill into the other compartments. Detergent mixed with fabric softener can make the softener gummy.

**NOTE: The normal level of suds should be below center of the door.**

**IMPORTANT: Tablets used to clean and/or deodorize the washer should not go in the dispenser drawer. Instead, put them directly into the empty washtub.**

### Liquid Bleach Compartment

The bleach compartment is located in the left front corner of the dispenser drawer. Refer to compartment 2 of illustration. It has been designed to prevent the dispensing of undiluted bleach onto the clothes load.

Use liquid bleach in the dispenser. Powdered bleach must not be used in this compartment. Powdered bleach can be used in the detergent compartment only and can be added along with the detergent.

DO NOT use more than the maximum level indicated for the bleach compartment. Adding more than the maximum amount could result in early dispensing of the product and possible damage to fabrics.

Carefully pour recommended amount of bleach into the compartment before starting wash load.

Be careful not to spill undiluted bleach. It is a strong chemical and can damage some fabrics if it is not properly diluted. Follow bleach manufacturer’s label for proper use.

Carefully close dispenser drawer. Do not allow bleach to spill into other compartments.

### Fabric Softener Compartment

The fabric softener compartment is located in the left rear corner of the dispenser drawer. Refer to compartment 3 of illustration.

Use no more than the maximum level indicated for the fabric softener compartment. Adding more than the maximum amount could result in early dispensing of the product and possible staining of fabrics.

## Cycle Operation

Add fabric softener to compartment before beginning wash load. The fabric softener will be dispensed during the last rinse stage of the cycle.

Carefully close dispenser drawer. Do not allow softener to spill into other compartments.

### **To Remove the Dispenser Drawer**

Pull the drawer out until it stops. Then press the tab under the drawer to release and remove it.

### **To Clean the Dispenser**

Pour hot water into the dispenser drawer, making sure it flushes through each compartment. Use a small brush to thoroughly clean out any residue.

# Clothing Care

## Clothing Concerns

To keep clothes looking white or bright, use good washing practices at all times to prevent a gradual build-up of soil or water hardness minerals on them. If you notice that your

clothes are not as bright as they should be, take corrective measures immediately.

| Problem                    | Cause                                  | Solution   |
|----------------------------|--|--|
| Gray or Dingy Clothes      | Insufficient Detergent                 | Add recommended amount of low-sudsing detergent to dispenser drawer before loading clothes.<br><br>Mild detergents are not suitable for average soil.  |
|                            | Improper Sorting                       | Wash whites separately. Separate light from heavily soiled items. Clothes can pick up soil from dirty wash water.  |
|                            | Nonphosphate Detergent and Hard Water  | Follow package directions. Soften water if possible.   |
|                            | Water Not Hot Enough                   | White clothes will stay whiter with hot wash water. Increase temperature.  |
| Yellowed Clothes           | Unremoved Soil                         | Skin soil is hard to remove. Check hem edge of sheets and pillowcases, bottom end of t-shirts, etc. If this portion is white and center is yellow, the fabric contains unremoved soil. Use sufficient detergent and a hot wash. Chlorine bleach may be needed. |
|                            | Clothes Stained from Iron in the Water | To test for an iron stain, use a rust remover that is recommended for use with washing machines on a portion of the garment. Follow bottle directions for larger items.  |
|                            | Older Clothes                          | Some white fabrics turn yellow with age and cannot be whitened.  |
| Clothes Tearing or Damaged | Improper Use of Chlorine Bleach        | No correction for bleach damaged clothes.<br><br>Always keep level at or below maximum in bleach dispenser compartment.  |
|                            | Insufficient Precare                   | Fasten all hooks and zippers. Mend tears. Remove objects from pockets.   |

*Table continues...*

Clothing Care

| Problem        | Cause  | Solution  |
|----------------|--|---|
| Excessive Lint | Improper Sorting                               | Fabrics that shed lint cannot be washed with fabrics that receive lint.   |
|                | Insufficient Detergent/Non-phosphate Detergent | Use enough detergent so lint remains suspended in water and flushed out. Do not oversuds the water.                         |
|                | Mixing Fabric Types                            | Knits and permanent press attract lint. Wash these only with similar items.<br><br>Use fabric softener in dispenser drawer. |
| Wrinkling      | Improper Sorting                               | Heavy items like towels should not be washed with light items like night-gowns.   |
|                | Improper Cycle                                 | Make sure cycle selected is appropriate for type of clothes.  |
|                | Improper Temperature                           | Using a warm or cold wash and a cold rinse reduces wrinkling.   |

# Maintenance

## Lubrication

All moving parts are sealed in a permanent supply of lubricant or are equipped with oilless bearings. Additional lubrication will not be necessary.

Do not lubricate the door hinge. If the hinge makes noise, replace the hinge.

## Cold Weather Care

If the unit is delivered on a cold day (below freezing), or is stored in an unheated room or area during the cold months, do not attempt to operate the washer until it has had a chance to warm up. Water from the previous cycle may remain.

## Care of Your Washer

Use only a damp or sudsy cloth for cleaning the control panel. Some cleaning products may harm the finish on the control panel or damage the interior. DO NOT use products that contain alcohol on the control panel. Wipe the panel dry after cleaning.

Wipe the washer cabinet as needed. If detergent, bleach or other washing products are spilled on the cabinet, wipe immediately. Some products will cause permanent damage if spilled on the cabinet.

Do not use scouring pads or abrasive cleansers on control panel or cabinet.

The outside of the door window can be cleaned with household window cleaner.

Leave the door and dispenser drawer open slightly when not in use. This will help keep them dry and prevent musty smells.

Use the Tub Clean cycle (select models) regularly to clean the wash drum.

## Cleaning Glass Sealing Area

In order to assure that the door properly seals against water leaks, the following surfaces should be wiped off periodically:

- The outside perimeter of the door glass where the seal contacts the glass
- The front surface of the door seal lip

Usually a mild soap solution will work. If there is an extreme build-up of minerals from a hard water supply, the surfaces may need to be cleaned with a lime removal chemical.

## Replacing Hoses

Hoses and other rubber parts deteriorate after extended use. Hoses may develop cracks, blisters or material wear from the temperature and constant high pressure they are subjected to.

All hoses should be checked on a monthly basis for any visible signs of deterioration. Any hose showing the signs of deterioration listed above should be replaced immediately. All hoses should be replaced every five years.

Flood safe hoses often can be the cause for no fill or slow fill issues. They are not recommended. Only use replacement fill hoses from the manufacturer.

## Filter Screens

Check the filter screens in the fill hoses for debris or damage every six months. Clean or replace them if necessary.

If the washer is filling with water slower than normal, check the filter screens. Clean or replace them if necessary.

Order filter screen Part No. 803615 from the nearest authorized parts distributor.

## Vacations and Extended Non-Use

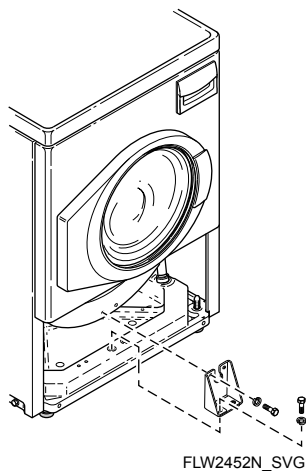
**IMPORTANT: To avoid possible property damage due to flooding, turn off the water supply to the washer whenever there will be an extended period of non-use.**

Leave the loading door and dispenser drawer open during extended periods of non-use to allow the wash drum and drawer to dry out and avoid a musty smell.

## Reinstallation of Shipping Materials

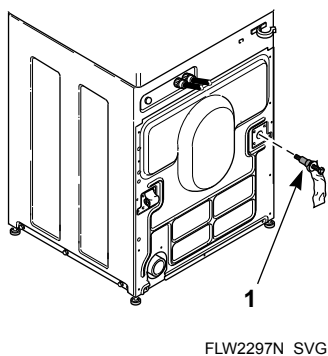
To prevent damage while moving the unit, the shipping materials MUST be reinstalled.

1. Disconnect washer from electrical supply.
2. Remove two screws at bottom of front access panel.
3. Rotate bottom of panel out and remove panel.
4. Attach shipping brace to weight and base using four bolts and washers. Refer to *Figure 2*.
5. Reinstall front access panel.
6. Go to rear of washer to install rear shipping bolt, washer, spacer assemblies.
7. Insert shipping bolt assemblies into each shipping bolt hole. Refer to *Figure 3*.
8. Tighten bolt while pressing washer against rear panel to ensure spacer is fully inserted.



1. Shipping Brace

Figure 2



1. Shipping Bolt Assembly

Figure 3

Refer to the Installation instructions for proper procedures whenever the washer is moved.

## Cleaning Foreign Object Trap

Refer to *Figure 1*.

The washer's pump has a trap that may collect foreign objects. The trap may need to be cleaned if water is draining slower than usual. To clean:

1. Disconnect washer from electrical supply.
2. Remove two screws at bottom of the front access panel.
3. Rotate bottom of panel out and remove panel.

**NOTE: The pump may have some water in it. Use a rag or a container to catch water. If the wash drum is full of water, use a wet/dry shop vacuum to catch the water.**

4. With rag or vacuum ready, unscrew the cap on the left side of the pump and remove trap.
5. Clean the debris from the trap.
6. Reinstall the trap and access panel.

7. Reconnect washer to electrical supply.

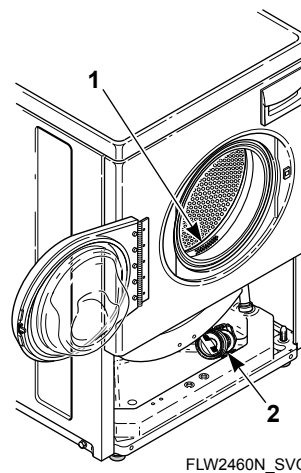
## Cleaning Door Seal Drain Holes

Refer to *Figure 4*.

If there is water remaining in the door seal (black gasket), the drain holes at the bottom of the door opening may be plugged. They will need to be cleaned out so the water can drain properly.

1. Open the loading door.
2. Pull door seal back to access drain holes.
3. Using a paper clip or similar tool, remove debris from each hole.
4. Run a cycle using hot water and make sure water drains out from this area properly.

This maintenance is not covered under the product warranty.



1. Drain Holes
2. Pump

Figure 4

## Preventative Maintenance

Follow these guidelines to ensure the washer operates properly. Call for service if you observe any of the following: water of any amount on the floor, an increase in operating noise or water remaining in the wash basket after a cycle.

| Frequency        | Maintenance Procedure   |
|------------------|---|
| As needed        | <ol style="list-style-type: none"> <li data-bbox="451 480 784 550">1. Clean the washtub using the Tub Clean cycle.</li> </ol>   |
| Monthly          | <ol style="list-style-type: none"> <li data-bbox="451 571 784 640">1. Check all hoses and the drain for leaks.</li> <li data-bbox="451 640 784 709">2. Check the door lock for proper operation.</li> <li data-bbox="451 709 784 800">3. Clean the dispenser drawer. Refer to Using Your Dispenser Drawer.</li> <li data-bbox="451 800 784 869">4. Check to make sure the washer is level.</li> </ol> |
| Every six months | <ol style="list-style-type: none"> <li data-bbox="451 896 784 966">1. Clean the filter screens in the fill hoses.</li> <li data-bbox="451 966 784 1056">2. Clean the door gasket with a bleach and water solution.</li> </ol>   |
| Every five years | <ol style="list-style-type: none"> <li data-bbox="451 1085 784 1274">1. Have a qualified service technician conduct general preventative maintenance on the washer to ensure it operates properly.</li> <li data-bbox="451 1274 784 1310">2. Replace the fill hoses.</li> </ol>   |

Table 2

# Troubleshooting

Try these troubleshooting tips before making a service call. They may save you time and money.

| Washer Symptom            | Possible/Cause Solution  |
|---------------------------|--|
| Won't Fill                | <ul style="list-style-type: none"> <li>• Make sure power cord is plugged all the way into the electrical outlet.</li> <li>• Make sure hot and cold water faucets are turned on.</li> <li>• Make sure that the fill hoses are not kinked or twisted.</li> <li>• Press Start/Pause button to start washer.</li> <li>• Make sure that the controls are properly set.</li> <li>• Make sure that the loading door is closed tightly.</li> <li>• Check the laundry room fuse or circuit breaker.</li> <li>• Clean the screens in the water mixing valve and the filter screens located at the faucet end of the fill hoses. (Owner is responsible for service calls regarding cleaning of the screens.)</li> </ul> |
| Won't Start               | <ul style="list-style-type: none"> <li>• Make sure that the loading door is closed tightly.</li> <li>• Press Start/Pause button to start washer.</li> <li>• Make sure power cord is plugged all the way into the electrical outlet.</li> <li>• Make sure that the controls are properly set.</li> <li>• Check the laundry room fuse or circuit breaker.</li> <li>• Make sure door latch is properly adjusted relative to door lock.</li> <li>• You will not be able to press the Start/ Pause button to start a cycle until five seconds after turning on the washer. A status light will flash during this warm-up period.</li> </ul>   |
| Won't Spin/Tumble         | <ul style="list-style-type: none"> <li>• Make sure that the loading door is closed tightly.</li> <li>• Press Start/Pause button to start washer.</li> <li>• Make sure power cord is plugged all the way into the electrical outlet.</li> <li>• Make sure that the controls are properly set.</li> <li>• Check the laundry room fuse or circuit breaker.</li> <li>• Broken drive belt. Call the service person.</li> <li>• Foreign object trap in pump may be clogged. Clean the trap. Refer to Maintenance section.</li> </ul>   |
| Stops/Pauses During Cycle | <ul style="list-style-type: none"> <li>• Pauses are part of the washer's normal operation.</li> <li>• Check the laundry room fuse or circuit breaker.</li> <li>• Wash load may be unbalanced. Washer will stop and then restart spin automatically. If the washer is severely unbalanced, press the Start/Pause button and redistribute the load.</li> </ul>   |

*Table continues...*

| Washer Symptom          | Possible/Cause Solution  |
|-------------------------|--|
| Won't Drain             | <ul style="list-style-type: none"> <li>• Make sure drain hose is not kinked or twisted.</li> <li>• Make sure drain hose is not clogged.</li> <li>• Make sure drain receptacle is not clogged.</li> <li>• Refer to the Installation instructions to make sure that the drain hose has been properly installed.</li> <li>• Foreign object trap in pump may be clogged. Clean the trap. Refer to Maintenance section.</li> </ul>  |
| Water Leaks             | <ul style="list-style-type: none"> <li>• Check that fill hoses are properly installed on the faucets and the washer's water mixing valve.</li> <li>• Check the condition of the fill hoses. Replace fill hoses every five years.</li> <li>• Check the condition of the rubber door gasket for tears or holes.</li> <li>• Make sure drain receptacle is not clogged.</li> <li>• Check laundry room plumbing.</li> <li>• Laundry load may be oversudsing. Make sure you are using low-sudsing, high efficiency (HE) detergent.</li> <li>• Laundry load may be overloaded. Make sure you are using proper load sizes.</li> <li>• Make sure outside perimeter of the door glass where seal contacts glass is clean.</li> </ul> |
| Too Many Soap Suds      | <ul style="list-style-type: none"> <li>• Laundry load may be oversudsing. Make sure you are using low-sudsing, high efficiency (HE) detergent.</li> <li>• Make sure you are using the amount of detergent recommended on the detergent's label. If using non-HE detergent, use only 1/2 of the detergent manufacturer's recommended amount.</li> <li>• Laundry load may be overloaded. Make sure you are using proper load sizes.</li> </ul>   |
| Vibrates/Moves Slightly | <ul style="list-style-type: none"> <li>• Make sure washer is level. Uneven leveling can cause vibration.</li> <li>• Make sure shipping materials have been removed.</li> <li>• Make sure washer is installed on a solid, sturdy and level floor. The washer should not be installed on carpeting, soft tile or other weakly supported structures.</li> <li>• Make sure rubber feet are installed on all four leveling legs. Refer to Position and Level the washer.</li> <li>• Try placing the washer near a corner of the room or near an external structural support wall.</li> </ul>  |

*Table continues...*

| Washer Symptom                              | Possible/Cause Solution  |
|---|--|
| Is Noisy                                    | <ul style="list-style-type: none"> <li>• Make sure washer is level. Uneven leveling can cause vibration.</li> <li>• Some sounds may be a part of normal operation for a frontload washer, such as clicking noise when door locks and unlocks, and clicking noise from balance ring during agitate part of cycle.</li> <li>• When rotating the tub slowly you will hear the balance balls click together. This noise is normal and does not require a service call.</li> </ul>      |
| Load is Too Wet                             | <ul style="list-style-type: none"> <li>• Wash load may be unbalanced. The washer may have limited the spin speed to prevent damage to the machine. Redistribute the load and run a Spin cycle.</li> <li>• Load is too small. Add items to make full load.</li> </ul>   |
| Wrong Water Temperature                     | <ul style="list-style-type: none"> <li>• Make sure that the controls are properly set.</li> <li>• Check fill hoses. Make sure hot faucet hose is connected to hot mixing valve (indicated with "H" on the valve bracket) and cold faucet is connected to cold mixing valve (indicated with "C" on the valve bracket).</li> <li>• Make sure laundry room water heater is adjusted properly.</li> <li>• The Normal and Normal Eco cycles uses a colder water temperature.</li> </ul> |
| Control not responding to keypad selections | <ul style="list-style-type: none"> <li>• Make sure Control Lock feature is off. If on, Control Lock light will be lit.</li> <li>• Press and hold Signal Keypad for three seconds to turn off.</li> </ul>   |
| <i>Er, da</i> on digital display            | <ul style="list-style-type: none"> <li>• The control senses that the door is open during a running cycle.</li> <li>• Unplug the machine to clear this code.</li> </ul>   |
| <i>Er, dL</i> on digital display            | <ul style="list-style-type: none"> <li>• The control senses that the door has unlocked during a running cycle.</li> <li>• Unplug the machine to clear this code.</li> </ul>  |
| <i>Er, dr</i> on digital display            | <ul style="list-style-type: none"> <li>• This code indicates that water is still in the washer at the end of the cycle.</li> <li>• Check the drain hose and drain receptacle to make sure they are installed properly and not blocked.</li> <li>• Foreign object trap in pump may be clogged. Clean the trap. Refer to Maintenance section.</li> <li>• Unplug the machine for 15 seconds to clear this code.</li> </ul>  |

Table continues...

| Washer Symptom                   | Possible/Cause Solution  |
|----------------------------------|--|
| <i>Er, FL</i> on digital display | <ul style="list-style-type: none"> <li>• This code will appear if the washer has not reached the fill level after 30 minutes during a wash or rinse fill.</li> <li>• Make sure hot and cold water faucets are turned on.</li> <li>• Make sure that the fill hoses are not kinked or twisted.</li> <li>• Clean the screens in the water mixing valve and the filter screens located at the faucet end of the fill hoses.</li> <li>• Unplug the machine for 15 seconds to clear this code.</li> </ul>  |
| <i>Er, nF</i> on digital display | <ul style="list-style-type: none"> <li>• The washer has not filled to the proper water level.</li> <li>• No or very little change in water level has been sensed within 5 minutes of the current fill.</li> <li>• Make sure hot and cold water faucets are turned on.</li> <li>• Make sure that the fill hoses are not kinked or twisted.</li> <li>• Clean the screens in the water mixing valve and the filter screens located at the faucet end of the fill hoses.</li> <li>• Unplug the machine for 15 seconds to clear this code.</li> </ul> |
| <i>Er, OF</i> on digital display | <ul style="list-style-type: none"> <li>• This code indicates the washer has filled to the overflow level.</li> <li>• The machine will begin to attempt to pump water out if the door is closed and locked.</li> <li>• Foreign object trap in pump may be clogged. Clean the trap. Refer to Maintenance section.</li> <li>• If the code does not clear, unplug the machine and call for service.</li> </ul>   |
| <i>Er, PS</i> on digital display | <ul style="list-style-type: none"> <li>• The control has detected trouble sensing the water fill level.</li> <li>• Unplug the machine and call for service.</li> </ul>   |
| <i>Er, dU</i> on digital display | <ul style="list-style-type: none"> <li>• The control senses that the door will not unlock.</li> <li>• Unplug the machine for three minutes to unlock the door.</li> <li>• If the code appears again, call for service.</li> </ul>  |
| <i>Er, dI</i> on digital display | <ul style="list-style-type: none"> <li>• This code indicates that the door has not locked.</li> <li>• Make sure the door is closed all the way and try to start the cycle.</li> <li>• Open the door or unplug the machine to clear the code.</li> <li>• If this code continues, call for service.</li> </ul>   |

*Table continues...*

| Washer Symptom   | Possible/Cause Solution   |
|--|---|
| <p><i>Er, ub</i> on digital display</p> <p>or</p> <p>Left Decimal Point blinking on display one second on/one second off</p> | <ul style="list-style-type: none"> <li>• This code indicates that the washer did not reach the maximum intended speed in the final spin.</li> <li>• This could be due to an unbalanced load, excessive suds in the load, or too much water left in the tub due to slow draining.</li> <li>• Be sure to use proper load sizes that are evenly distributed in the wash basket.</li> <li>• Be sure to use high efficiency (HE) detergent.</li> <li>• Open the door or press the Power/Cancel keypad to clear this code.</li> </ul> |
| <p><i>PF</i> on digital display</p>  | <ul style="list-style-type: none"> <li>• This code will be displayed if the control was in Delay Start Mode when a power failure occurred.</li> <li>• The delayed start will be canceled.</li> <li>• Press the Power/Cancel Pad to clear the code.</li> </ul>   |
| <p><i>Er, 5L</i> on digital display</p>  | <ul style="list-style-type: none"> <li>• This code will be displayed after a cycle for one minute, or until the Power/Cancel keypad is pressed, and indicates an oversudsing condition.</li> <li>• Laundry load may be oversudsing. Make sure you are using low sudsing, high efficiency (HE) detergent. If using non-HE detergent, use only 1/2 of the detergent manufacturer's recommended amount.</li> <li>• Laundry load may be overloaded. Make sure you are using proper load sizes.</li> </ul>                           |
| <p><i>5r</i>, cycle time remaining on digital display</p>  | <ul style="list-style-type: none"> <li>• The control has detected an oversudsing condition and is running a special routine to remove the excess suds.</li> </ul>   |

## Warranty Repairs

If your appliance needs repair, locate an authorized service provider directly from our support page at [www.speedqueen.com](http://www.speedqueen.com).

Before scheduling service, please consult Limited Warranty for full terms. As a reminder, the following items are not covered by the limited warranty and, if a service technician is called, you will be responsible for payment of the service call.

- Plugged or restricted drain pipes
- Plugged or restricted water filters or fill valve screens
- Home electrical issues
- Foreign objects found inside the washer or pump
- Drain issues caused by standpipes that exceed factory specifications
- Instruction on how to use machine
- Issues related to improper installation

As detailed in the Limited Warranty, if the unit is operated in a multiple-user setting or commercial application, the unit's limited warranty is three (3) years parts only. Labor coverage is not included in this warranty.

## Contact Information

If you have any questions or need assistance with your appliance, please visit us online at [www.speedqueen.com](http://www.speedqueen.com). From our website you can:

- Register your appliance
- Find manuals and other product literature
- Locate authorized service providers near you
- Locate replacement parts

If additional support is needed, contact us using one of the following methods:

**Phone:** (920) 748-3121 or (800) 552-5475

**Contact Us Form:** [www.speedqueen.com/contact/](http://www.speedqueen.com/contact/)

**Mail:** Speed Queen

Shepard Street

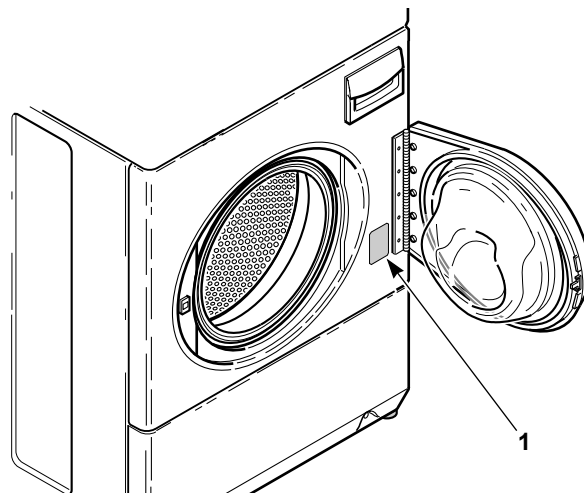
P.O. Box 990

Ripon, WI 54971-0990

When contacting us, please provide the following information:

|                |  |
|----------------|--|
| Date Purchased |  |
| Model Number   |  |
| Serial Number  |  |

The Model and Serial Numbers are located on the serial plate. The serial plate will be in the location shown.



FLW2305N\_SVG

1. Serial Plate

|   |                |
|---|----------------|
|   | <b>WARNING</b> |
| <p><b>To reduce the risk of serious injury or death, DO NOT repair or replace any part of the unit or attempt any servicing unless specifically recommended in the user-maintenance instructions or in published user-repair instructions that you understand and have the skills to carry out.</b></p> |                |
| W329  |                |