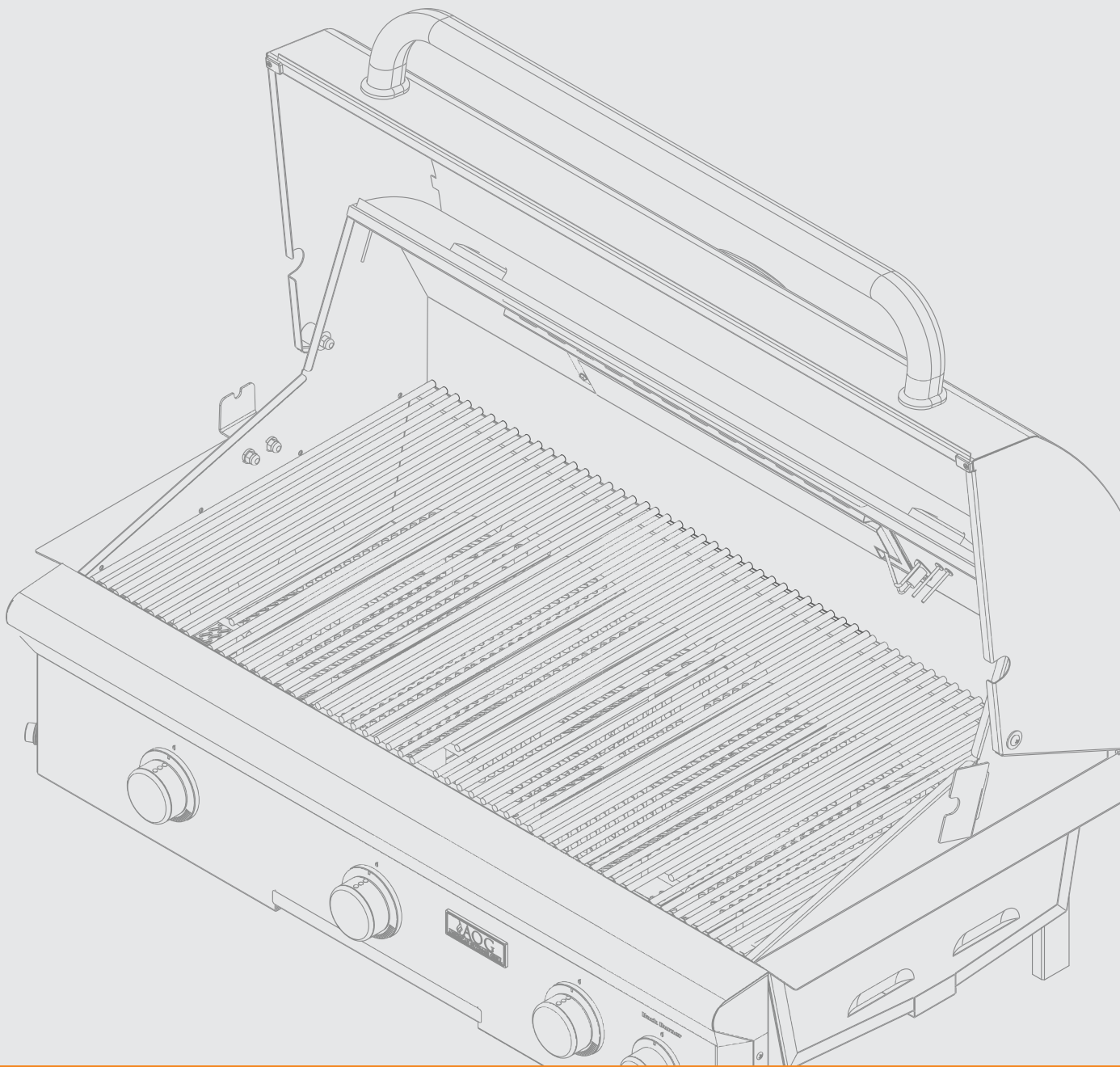




GRILL
BETTER!

American Outdoor Grill® Product Specifications

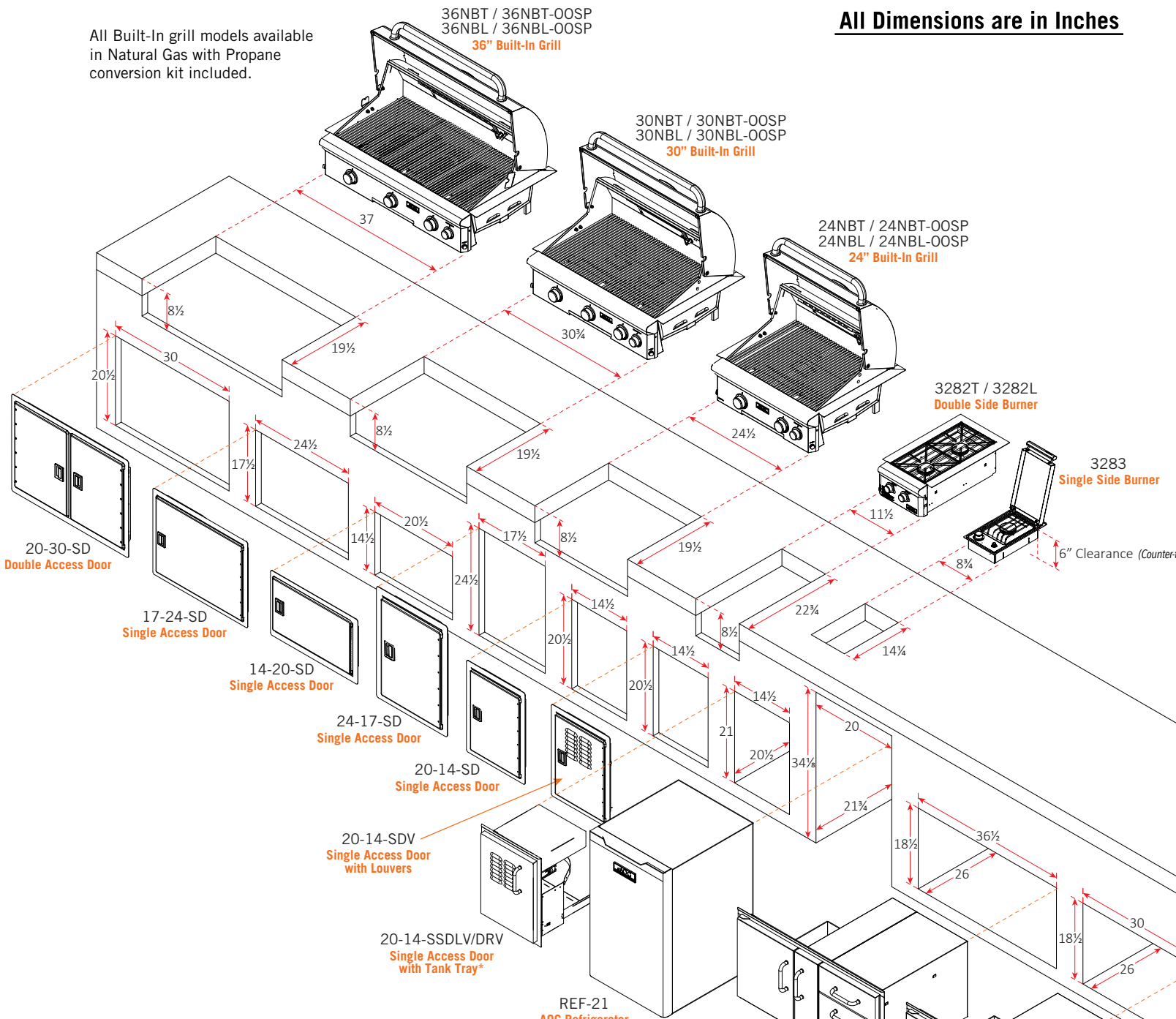


AMERICAN OUTDOOR GRILL® - PRODUCT SPECIFICATIONS - 2018

CRAFTED WITH PRIDE  IN THE USA

RH  PETERSON co.

All Built-In grill models available in Natural Gas with Propane conversion kit included.

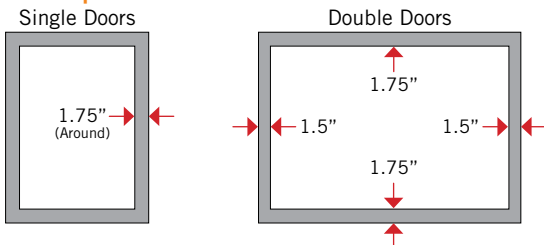


ADDITIONAL ACCESS DOORS (not shown)

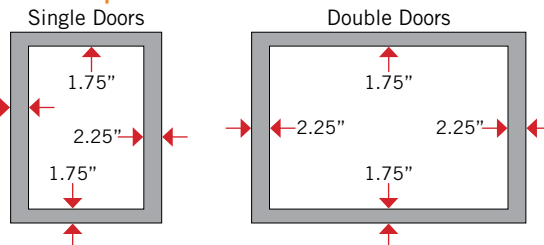
Model	Description	Cut-out
12-18-SD	Single access door w/black slam latches	12½" h x 18½" w
18-12-SD	Single access door w/black slam latches	18½" h x 12½" w
14-20-SSDL/DR	Single access door w/tubular handles*	15" h x 20½" w
20-14-SSDL/DR	Single access door w/tubular handles*	21" h x 14½" w
16-39-SSD	Double access door w/tubular handles	16" h x 39" w

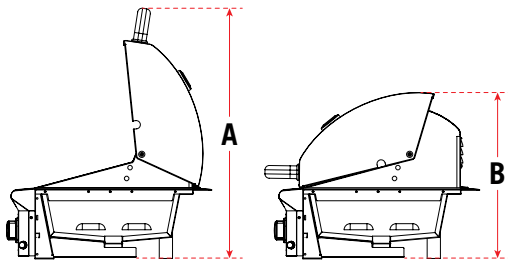
*Available with left or right hinge

Overlap Dimensions / Doors w/black slam latches



Overlap Dimensions / Doors w/tubular handles

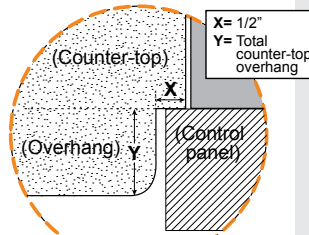




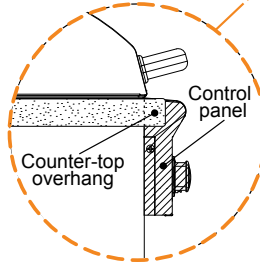
Built-In Grills Height Dimensions

Description	Hood Open (A)	Hood Closed (B)
24NBT/24NBL	30½"	20"
30NBT/30NBL	30½"	20"
36NBT/36NBL	30½"	20"

TOP VIEW

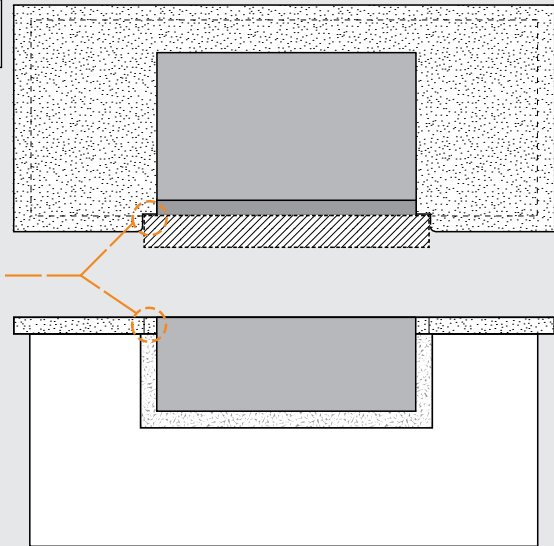


SIDE VIEW



ISLAND COUNTER-TOP OVERHANG

The control panel is designed to sit flush against the enclosure front wall. If the enclosure counter-top extends beyond the front wall, creating a counter-top overhang, it must be cut flush with the front wall for the width of the control panel or a gap will be created exposing the forward portions of the left and right side grill fire walls. See illustrations below.

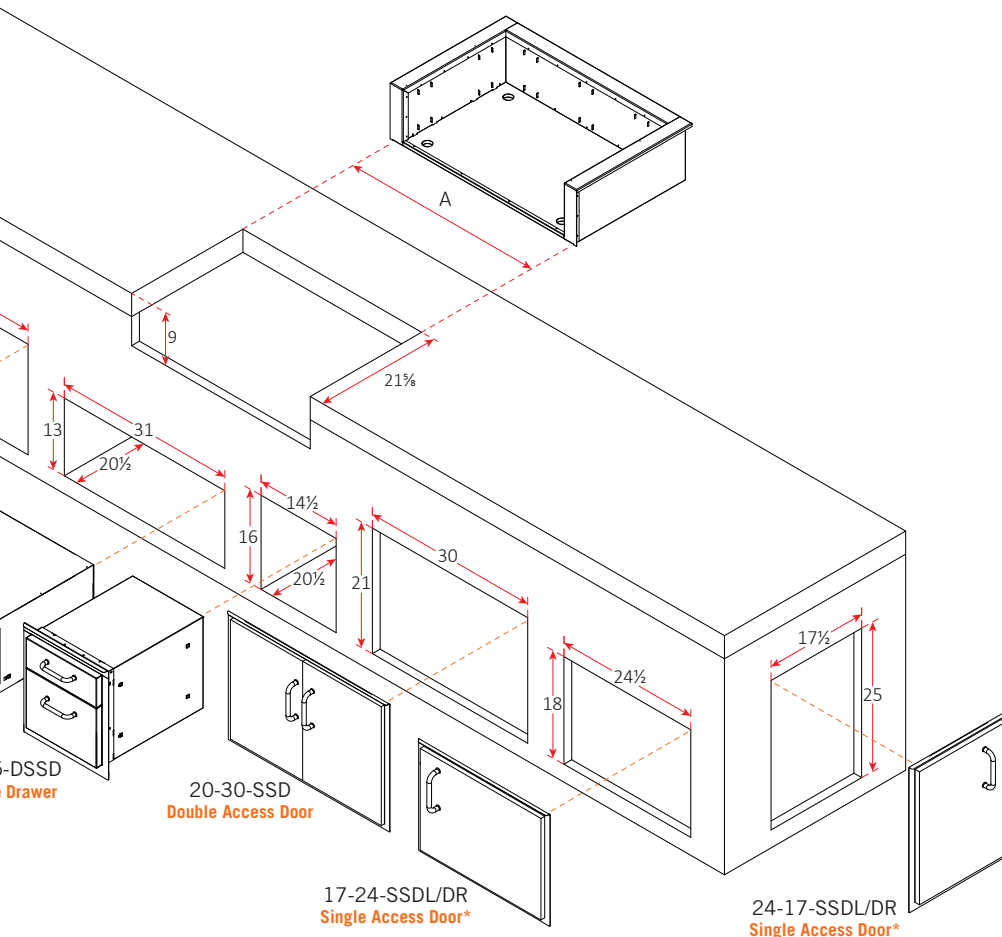


Grill Insulating Liners

(must be used when installing in a combustible island)

Model	Description	"A" Cut-out
24-IL-C	24" Grill Insulating Liner	28 ⁵ / ₈ "
30-IL-C	30" Grill Insulating Liner	34 ⁵ / ₈ "
36-IL-C	36" Grill Insulating Liner	40 ⁵ / ₈ "

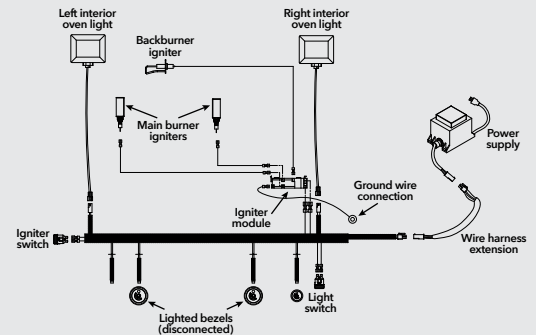
(top to unit bottom)



"L" SERIES ELECTRICAL SPECIFICATIONS

- "L" Series grills require 120VAC (5 AMP min.) power to operate
- Power supply rating - 120VAC / 0.3A / 60 Hz
- Oven lights rating - 12V / 10 watt halogen bulb

"L" SERIES BUILT-IN GRILL WIRING DIAGRAM *



*24" model shown. Model wire diagrams vary between models, a wire diagram specific to each unit can be found affixed to the inside of the control panel.

OUTDOOR KITCHEN CONSIDERATIONS

- Carefully consider grill size & accessories needed
- Combustible construction requires insulating liner
- Select Natural or Propane (LP gas)
- Determine total gas consumption for supply line size
- Access required to gas connections and shut off valve
- Plan location of propane tank away from grill and appliances
- Always refer to the installation and operating instructions of your American Outdoor Grill® and/or accessories for installation guidelines & safety warnings before starting your project
- Always check all gas connections for leaks
- Provide ventilation in island for gas vapors. Allow at least four ventilation openings (two at floor level and two 16" above floor 10 in² each) at opposing ends/sides

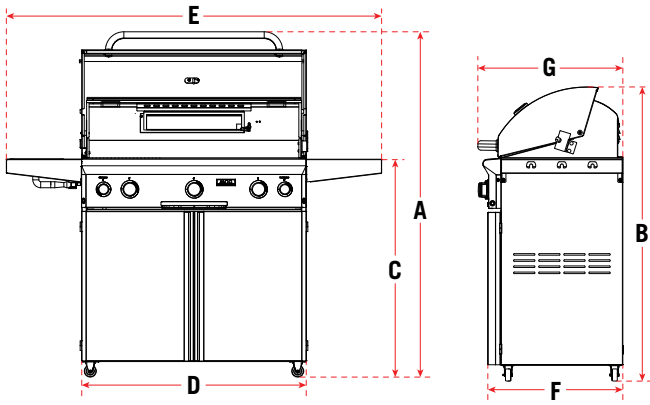
LOCATION

- Identify outdoor area where grill will be installed
- Determine the utilities needed (gas, water, electricity, drainage, etc.)
- Consider element exposure (sun, wind direction, weather, etc.)

MATERIALS

- Foundation - concrete
- Base - brick, stone, stucco, concrete
- Counter top - tile, granite, marble, concrete

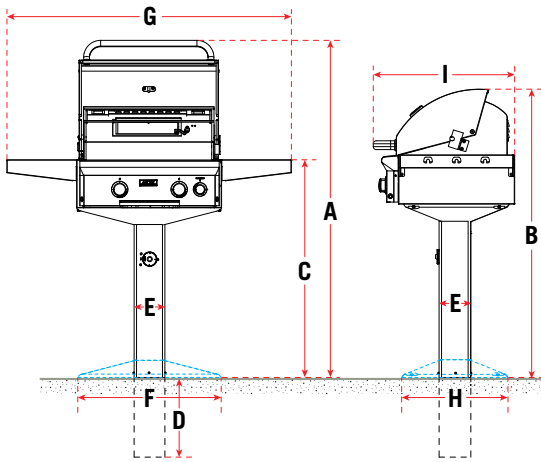
*Available with left or right hinge



PORTABLE GRILLS SPECIFICATIONS

Grill Model	Height			Width		Depth	
	Hood Open (A)	Hood Closed (B)	Floor to Top of Shelf (C)	Cart Base (D)	Shelf to Shelf (E)	Cart Base (F)	Max. Outer (G)
24PCT/24PCL	59"	48½"	37"	25"	50"	22¼"	24¾"
30PCT/30PCL	59"	48½"	37"	31"	56"	22¼"	24¾"
36PCT/36PCL	59"	48½"	37"	37¼"	62¼"	22¼"	24¾"

All Portable grill models available in Natural or Propane gas. (Natural Gas change the "P" in the model number to an "N").



POST / IN-GROUND MOUNT GRILLS SPECIFICATIONS

Grill Model	Height*				Width			Depth	
	Hood Open (A)	Hood Closed (B)	Floor to Top of Shelf (C)	Floor to bottom of extension below ground (D)	Post (E)	Post Base (F)	Shelf to Shelf (G)	Post Base (H)	Max. Outer (I)
24NGT/24NGL	59"	48½"	36½"	18"	5½"	-	51"	-	24¾"
24NPT/24NPL	58½"	48"	36½"	-	5½"	26"	51"	20¼"	24¾"

*In-Ground Mount grill height dimensions are approximate from ground level once installed.

Post / In-Ground mount grill models available in Natural Gas with Propane conversion kit included.

AMERICAN OUTDOOR® GRILL WARRANTY HIGHLIGHTS

American Outdoor Grill® warrants your grill to be free from defects in material and workmanship.

FIFTEEN YEAR WARRANTY

American Outdoor Grill® stainless-steel burners are warranted for **FIFTEEN (15) YEARS**. All other American Outdoor Grill® parts are warranted for **TEN (10) YEARS**. (Except as noted below.)

THREE YEAR WARRANTY

American Outdoor Grill® infrared burners and vaporizer panels are warranted for **THREE (3) YEARS**.

ONE YEAR WARRANTY

American Outdoor Grill® ignition systems (excluding batteries) and accessories (including sideburners, motors, and thermometers) are warranted for **ONE (1) YEAR**.

AMERICAN OUTDOOR GRILL® RESERVES THE RIGHT TO AMEND PRODUCT SPECIFICATIONS WITHOUT PRIOR NOTICE.

The information provided in this document is for reference purposes only. Detailed instructions & specifications unique to the product purchased can be found in the Owner's Manual. Read those instructions carefully and completely before attempting installation of any American Outdoor Grill® products.

