

DAYTON® SPECIFICATIONS

Dayton® Premium Double Bowl Sink with Slim Rim Model DPXSR2250R

GENERAL

Highest quality sink formed of #18 (1.2mm) gauge, type 304 (18-8) nickel bearing stainless steel. Universal mount.

DESIGN FEATURES

Slim Rim: Ultra thin edge that virtually eliminates the barrier between the sink and countertop, allowing for a universal (top or undermount) installation option.

Bowl Depth: 8" (203mm)

Coved Corners: 1-3/4" (44mm) horizontal radius and 1-3/4" (44mm) and 2" (51mm) vertical radii.

Finish: Exposed surfaces are hand polished to a Lustrous Highlighted Satin finish.

Underside: Fully protected by Sound Guard® undercoating to reduce condensation and dampen sound.

OTHER

Drain opening: 3-3/8" (86mm)

Sink complies with ASME A112.19.3-2008 / CSA B45.4-08.



These sinks are listed by the International Association of Plumbing and Mechanical Officials as meeting the requirements of the Uniform Plumbing Code and the National Plumbing Code of Canada.

OPTIONAL ACCESSORIES

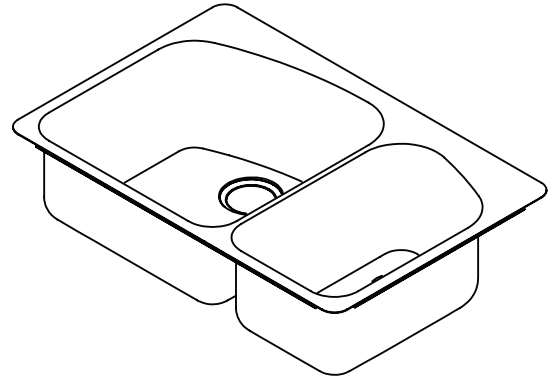
Bottom Grid: GOBG1819SS (large bowl), GOBG1118SS (small bowl)

Cutting Board: LKCB1520LTHW (large bowl, top mount), LKCB1520LUHW (large bowl, undermount)

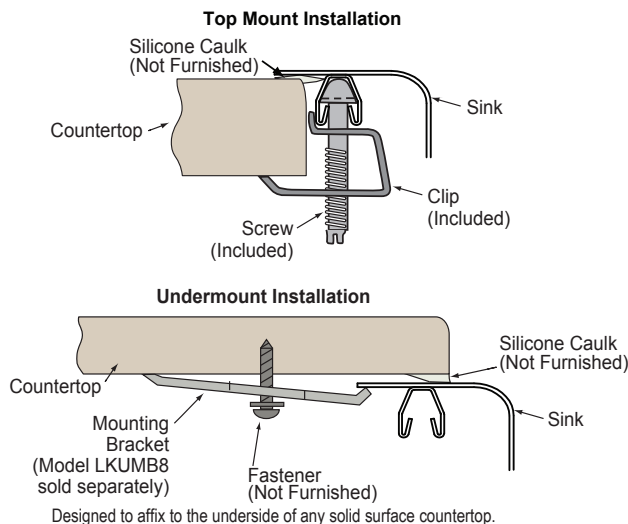
Drain: D1125

Rinsing Basket: LKWRB1819SS (large bowl), LKWERBSS (large bowl)

Utensil Caddy for Rinsing Basket: LKWUCSS



Model DPXSR2250R0



In keeping with our policy of continuing product improvement, Elkay reserves the right to change product specifications without notice. Please visit elkayusa.com for most current version of Elkay product specification sheets.

This specification describes an Elkay product with design, quality and functional benefits to the user. When making a comparison of other producers' offerings, be certain these features are not overlooked.

DAYTON[®]

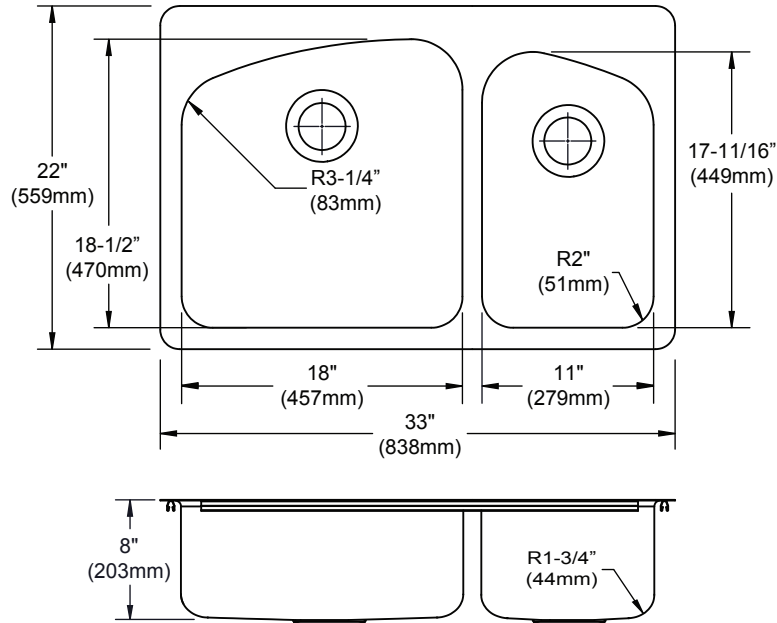
SPECIFICATIONS

Dayton[®] Premium Double Bowl Sink with Slim Rim Model DPXSR2250R

SINK DIMENSIONS*

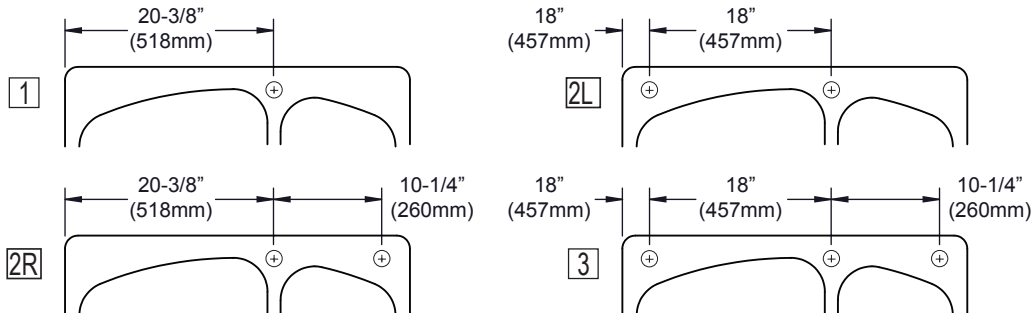
Model Number	Overall		Inside Left Bowl			Inside Right Bowl			Cutout in Countertop (1 1/2" [38mm] Radius Corners)		No. of 1 1/2" (38mm) Dia. Faucet Holes 4" (102mm) Center	Minimum Cabinet Size
	L	W	L	W	D	L	W	D	L	W		
LKHSR2509RPD	33 (838mm)	22 (559mm)	18 (457mm)	18-1/2 (470mm)	8 (203mm)	11 (279mm)	17-11/16 (449mm)	8 (203mm)	32-3/8 (822mm)	21-3/8 (543mm)	1, 2L, 2R, or 3	36 (914mm)

*Length is left to right. Width is front to back.



Hole Drilling Configurations

1-1/2" (38mm) Diameter Faucet Holes



In keeping with our policy of continuing product improvement, Elkay reserves the right to change product specifications without notice. Please visit elkayusa.com for most current version of Elkay product specification sheets.

This specification describes an Elkay product with design, quality and functional benefits to the user. When making a comparison of other producers' offerings, be certain these features are not overlooked.