

#### AVAILABLE MODELS

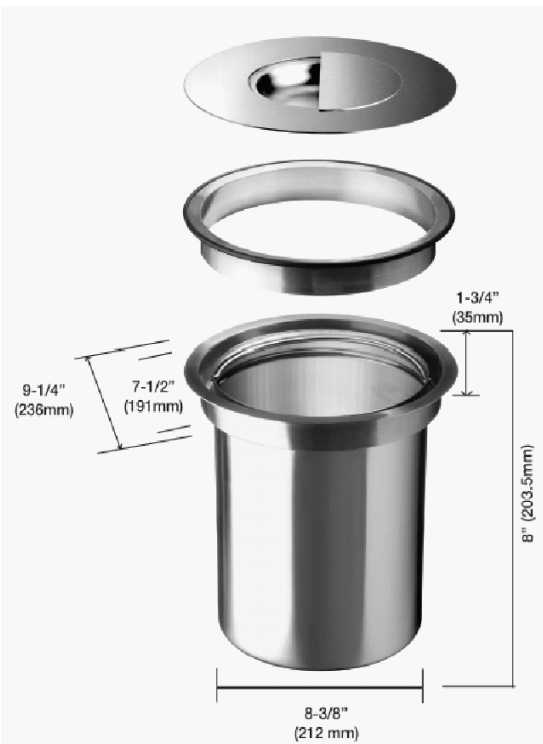
- 512336 **SOLON DROP-IN** stainless steel compost management system
- 512472 **SOLON FLUSH** mount stainless steel compost management system

#### FEATURES AND BENEFITS

- BLANCO's award-winning SOLON™ Compost System doubles as both a practical waste storage compartment and as an easy to use tool for composting.
- Made from the highest grade recycled stainless steel, SOLON effortlessly collects organic waste below the counter and its stunning design allows homeowners to beautifully incorporate green living into their kitchen.
- Winner of the prestigious international **iF award** for product design, SOLON installs conveniently next to sinks and its minimalist, elegant style makes it suited to any decor.
- BLANCO SOLON™ Compost System traps odors inside and integrates seamlessly with the counter.
- Easy-to-clean and dishwasher safe.
- Lid designed to keep odors out of the kitchen.
- CAPACITY - 7 Liters / 1.8 Gallons  
PRODUCT INCLUDES frame, 7 litre (1.8 Gallon) in with handle, and lid.
- Simple to clean and dishwasher safe, BLANCO SOLON fits into any countertop with a virtually seamless appearance.



#### NOMINAL DIMENSIONS



#### WARRANTY

Blanco products feature a LIMITED LIFETIME warranty to be free of all manufacturing defects under normal use. See our complete warranty for details.

While Blanco America endeavors to provide accurate information, all dimensions are nominal, cannot be guaranteed, and are subject to change or cancellation. Blanco America assumes no responsibility for use of superseded or voided

**DXF cutout templates** for BOTH DROP-IN and FLUSH MOUNT are available on our web site.