

FZU36LX



| | |
|------------------|-----------------|
| Product family | Freezers |
| Installation | Built-in |
| Category | One Door |
| Reference width | Higher than 80 |
| Reference height | Higher than 200 |
| Cooling type | No-frost |
| Hinge | Door-to-door |
| Hinge position | Left |



Aesthetic

| | | | |
|---------------------------|-----------------|---------------|-----------------|
| Aesthetics | Classic | Handle | Fixed |
| Color | Stainless steel | Handle color | Stainless steel |
| Material | Stainless steel | Side material | Metal |
| Door stainless steel type | Normal | Logo | Applied |
| Handle | External | Display | TFT |




Freezer features

| | |
|-------------------|--------------------|
| Freezer lighting | Yes |
| Freezer lighting | Incandescent light |
| Number of drawers | 4 |

Other Freezer features

| | |
|-----------|------------|
| Ice maker | Automatico |
|-----------|------------|

Other technical features

| | | | | |
|------------------------------------------------------------------------------------------------------------------------------------------------------------------------------------------------------------------------------------------------------------|-------------------------|------------------------|-----------------------------|------------|
|    | Display functions | Holiday, Fast-freezing | Type of temperature control | Electronic |
| | Fast-freezing button | Yes | No. of compressors | 1 |
| | Power-on light | Yes | Refrigerant gas type | R600a |
| | Temperature alarm light | Yes | Type of compressor | Inverter |
| | Door-open alarm | Yes | | |

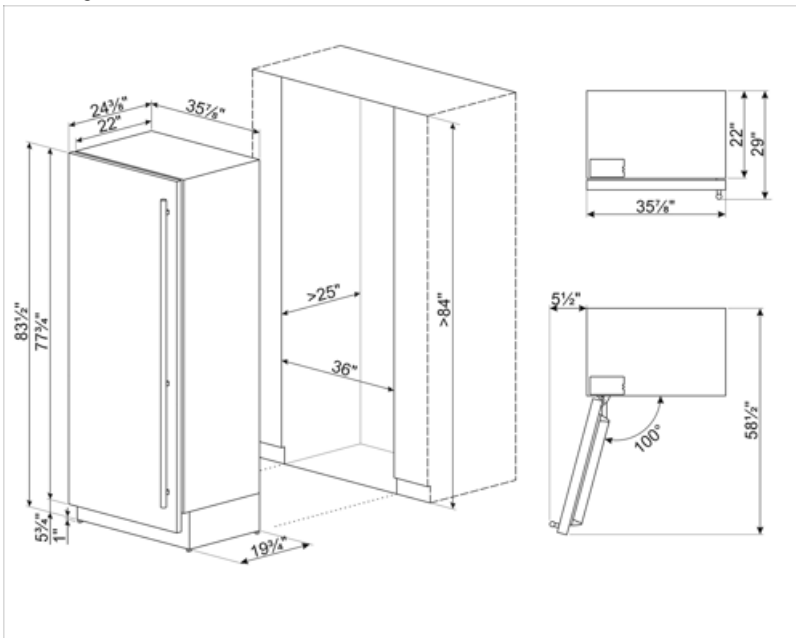
| | | | |
|-------------------|-----|----------------------|--------------|
| Temperature Alarm | Yes | Refrigerant quantity | 85 oz |
| | | Foam agent | Cyclopentane |

Performance / Energy Label

| | | | |
|-------------------------------------------------|-----------|----------------|--------------|
| Total volume | 150.6 gal | Climatic class | SN, N, ST, T |
| Sum of the volumes of the frozen compartment(s) | 150.6 gal | | |

Electrical Connection

| | | | |
|---------|----------------|-------------------|----------|
| Plug | (B) NEMA 5-15P | Frequency (Hz) | 60 Hz |
| Current | 3,5 A | Power cord length | 78 3/4 " |
| Voltage | 115 V | | |



Symbols glossary



Fast freezing: The fast freezing function brings the temperature of the compartment down when activated a few hours prior to usage.



Power saving mode: The power saving mode allows you to disable the refrigerator and keep the freezer working.



Inverter technology: The evolution of Smeg's driers towards more intelligent and environmentally sustainable models has led to the choice of using Inverter technology with heat pumps, which reduces significantly energy consumption.



No Frost: The No Frost and Frost free systems prevent ice from forming so that no defrosting is required.

Benefit (TT)

No-Forst Cooling System

The No Frost system prevents the formation of ice and contributes to better preservation of food in the refrigerator

Door-on-door Hinge

Fixed hinges, otherwise known as door-on-door hinges, directly connects the cabinet door to the appliance door

The cabinet door will not be attached to the rest of the cabinetry. Instead, it will be completely attached to the appliance door. Therefore, the appliance door will be bearing the weight of the cabinet door. This type of fitting is often sturdier than a sliding hinge fitting, and can give you a sleeker finish.

TFT Display

The TFT display offers an intuitive and elegant interface, making operation simple and immediate with a premium touch

Internal illumination

Interior lighting for perfect visibility of the drawers in the freezer compartment

External Handle

The external handle ensures practicality and ease of use of the freezer

R600a Refrigerant Gas

Environmentally friendly R600a refrigerant gas contributes to rapid cooling with lower energy consumption

Automatic Ice Maker

Automatic ice maker for ice always available when needed