



# Waste Disposer

## SC03DISPC1

1/3 Horsepower  
Corded



### Features

Horsepower	1/3
Motor RPM	2400
Capacity	29.8 oz (880ml)
Impellers	Stainless Steel Jam-Resistant Dual Impellers
Mounting Type	3-Bolt
Turntable Material	Stainless Steel
Grind Ring Material	Stainless Steel
Feed Type	Continuous
Controls	Wall Switch
Sound Shell	Partial
Splash Guard	Removable
Motor Type	High-Torque Permanent Magnet
Sink Stopper	Yes
Manual Overload Protect	Yes
Drain Outlet Diameter	1-1/2"
Drain Connector	Yes
Drain Elbow	Yes
Warranty	3 Years <sup>1</sup>

### Specifications

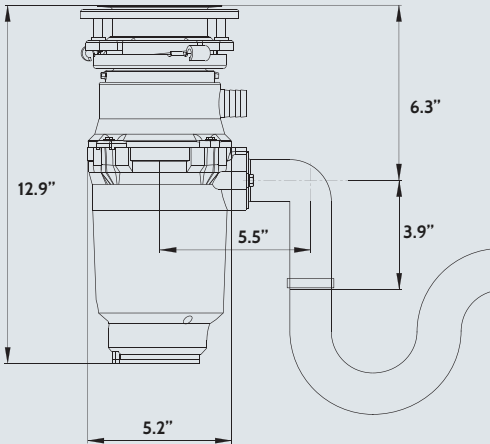
Amps @ 120 Volts	4.5
Wiring Requirements	Corded
Voltage Rating	120V, 60Hz
Exterior Styling	Shell

### Accessories

Sink Flange Kit	Stainless Steel
-----------------	-----------------

<sup>1</sup>See warranty for complete details.

### Product Dimensions



Specifications subject to change.

## Signature Features

### TORQUE MASTER® Balanced Grinding System



A combination of computer designed and balanced components working in unison to provide superior torque grind speed and long system life.

### 3-Bolt Mounting System

Compact, lightweight design fits 90% of existing sink mounts for quick installation.

### Removable Splash Guard

Removable splash guard, ideal for easy cleaning and replacement.

### Permanent Magnet Motor

Maximum torque instantly with the power to cut through potential jams..

### 3-Year Limited Warranty

See warranty for complete details. LIFETIME warranty against failure due to corrosion.

### Attached Power Cord

Ready to plug in.

Distributed by Electrolux Home Products, Inc.  
10200 David Taylor Drive  
Charlotte, NC 28262  
The Torque Master® name & logo is a registered trademark of Joneca Corporation.



# Waste Disposer

## SC03DISPD1

1/3 Horsepower  
Without Cord



### Features

Horsepower	1/3
Motor RPM	2400
Capacity	29.8 oz (880ml)
Impellers	Stainless Steel Jam-Resistant Dual Impellers
Mounting Type	3-Bolt
Turntable Material	Stainless Steel
Grind Ring Material	Stainless Steel
Feed Type	Continuous
Controls	Wall Switch
Sound Shell	Partial
Splash Guard	Removable
Motor Type	High-Torque Permanent Magnet
Sink Stopper	Yes
Manual Overload Protect	Yes
Drain Outlet Diameter	1-1/2"
Drain Connector	Yes
Drain Elbow	Yes
Warranty	3 Years <sup>1</sup>

### Specifications

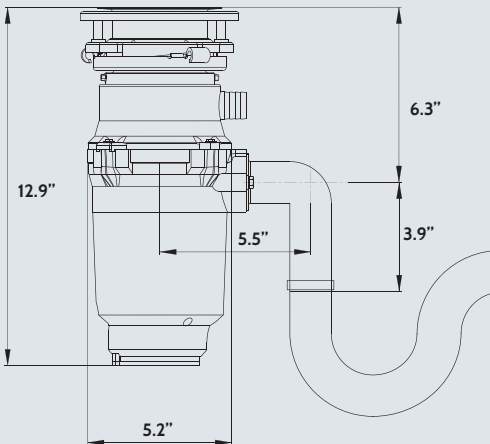
Amps @ 120 Volts	4.5
Wiring Requirements	Direct Wire
Voltage Rating	120V, 60Hz
Exterior Styling	Shell

### Accessories

Sink Flange Kit	Stainless Steel
-----------------	-----------------

<sup>1</sup>See warranty for complete details.

### Product Dimensions



Specifications subject to change.

## Signature Features

### TORQUE MASTER® Balanced Grinding System



A combination of computer designed and balanced components working in unison to provide superior torque grind speed and long system life.

### 3-Bolt Mounting System

Compact, lightweight design fits 90% of existing sink mounts for quick installation.

### Removable Splash Guard

Removable splash guard, ideal for easy cleaning and replacement.

### Permanent Magnet Motor

Maximum torque instantly with the power to cut through potential jams.

### 3-Year Limited Warranty

See warranty for complete details. LIFETIME warranty against failure due to corrosion.

Distributed by Electrolux Home Products, Inc.  
10200 David Taylor Drive  
Charlotte, NC 28262  
The Torque Master® name & logo is a registered trademark of Joneca Corporation.



# Waste Disposer

## SC05DISPC1

1/2 Horsepower  
Corded



### Features

Horsepower	1/2
Motor RPM	2600
Capacity	29.8 oz (880ml)
Impellers	Stainless Steel Jam-Resistant Dual Impellers
Mounting Type	3-Bolt
Turntable Material	Stainless Steel
Grind Ring Material	Stainless Steel
Feed Type	Continuous
Controls	Wall Switch
Sound Shell	Partial
Splash Guard	Removable
Motor Type	High-Torque Permanent Magnet
Sink Stopper	Yes
Manual Overload Protect	Yes
Drain Outlet Diameter	1-1/2"
Drain Connector	Yes
Drain Elbow	Yes
Warranty	4 Years <sup>1</sup>

### Specifications

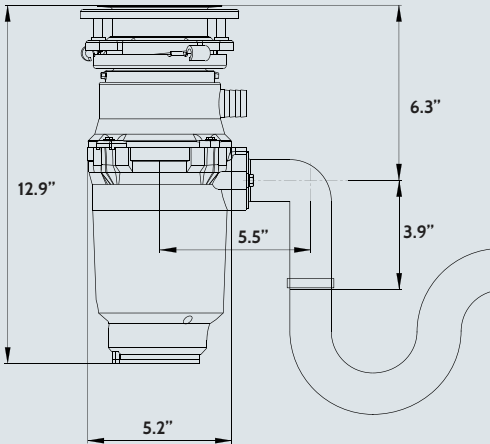
Amps @ 120 Volts	4.5
Wiring Requirements	Corded
Voltage Rating	120V, 60Hz
Exterior Styling	Shell

### Accessories

Sink Flange Kit	Stainless Steel
-----------------	-----------------

<sup>1</sup>See warranty for complete details.

### Product Dimensions



Specifications subject to change.

## Signature Features

### TORQUE MASTER® Balanced Grinding System



A combination of computer designed and balanced components working in unison to provide superior torque grind speed and long system life.

### 3-Bolt Mounting System

Compact, lightweight design fits 90% of existing sink mounts for quick installation.

### Removable Splash Guard

Removable splash guard, ideal for easy cleaning and replacement.

### Permanent Magnet Motor

Maximum torque instantly with the power to cut through potential jams.

### 4-Year Limited Warranty

See warranty for complete details. LIFETIME warranty against failure due to corrosion.

### Attached Power Cord

Ready to plug in.

Distributed by Electrolux Home Products, Inc.  
10200 David Taylor Drive  
Charlotte, NC 28262  
The Torque Master® name & logo is a registered trademark of Joneca Corporation.



# Waste Disposer

## SC05DISPD1

### 1/2 Horsepower Without Cord



#### Features

Horsepower	1/2
Motor RPM	2600
Capacity	29.8 oz (880ml)
Impellers	Stainless Steel Jam-Resistant Dual Impellers
Mounting Type	3-Bolt
Turntable Material	Stainless Steel
Grind Ring Material	Stainless Steel
Feed Type	Continuous
Controls	Wall Switch
Sound Shell	Partial
Splash Guard	Removable
Motor Type	High-Torque Permanent Magnet
Sink Stopper	Yes
Manual Overload Protect	Yes
Drain Outlet Diameter	1-1/2"
Drain Connector	Yes
Drain Elbow	Yes
Warranty	4 Years <sup>1</sup>

#### Specifications

Amps @ 120 Volts	4.5
Wiring Requirements	Direct Wire
Voltage Rating	120V, 60Hz
Exterior Styling	Shell

#### Accessories

Sink Flange Kit	Stainless Steel
-----------------	-----------------

<sup>1</sup>See warranty for complete details.

## Signature Features

### TORQUE MASTER®

#### Balanced Grinding System



A combination of computer designed and balanced components working in unison to provide superior torque grind speed and long system life.

#### 3-Bolt Mounting System

Compact, lightweight design fits 90% of existing sink mounts for quick installation.

#### Removable Splash Guard

Removable splash guard, ideal for easy cleaning and replacement.

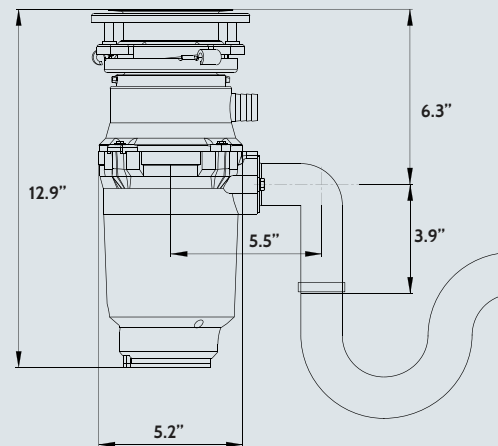
#### Permanent Magnet Motor

Maximum torque instantly with the power to cut through potential jams..

#### 4-Year Limited Warranty

See warranty for complete details. LIFETIME warranty against failure due to corrosion.

#### Product Dimensions



Specifications subject to change.

Distributed by Electrolux Home Products, Inc.  
10200 David Taylor Drive  
Charlotte, NC 28262  
The Torque Master® name & logo is a registered trademark of Joneca Corporation.

SP-SC05DISPD1-201



# Waste Disposer

## SC75DISPC1

3/4 Horsepower  
Corded



### Features

Horsepower	3/4
Motor RPM	2700
Capacity	36.2 oz (1070ml)
Impellers	Stainless Steel Jam-Resistant Dual Impellers
Mounting Type	3-Bolt
Turntable Material	Stainless Steel
Grind Ring Material	Stainless Steel
Feed Type	Continuous
Controls	Wall Switch
Sound Shell	Full
Splash Guard	Removable
Motor Type	High-Torque Permanent Magnet
Sink Stopper	Yes
Manual Overload Protect	Yes
Drain Outlet Diameter	1-1/2"
Drain Connector	Yes
Drain Elbow	Yes
Warranty	10 Years <sup>1</sup>

### Specifications

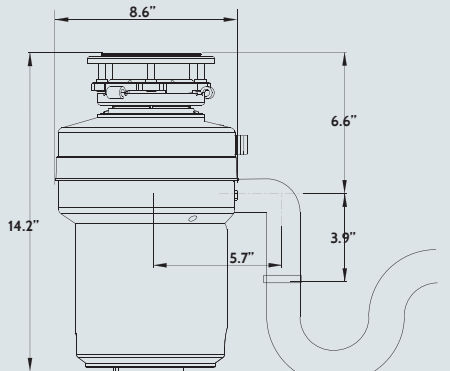
Amps @ 120 Volts	6
Wiring Requirements	Corded
Voltage Rating	120V, 60Hz
Exterior Styling	Shell

### Accessories

Sink Flange Kit	Stainless Steel
Silver Guard®	Magnetic Protection

<sup>1</sup>See warranty for complete details.

### Product Dimensions



Specifications subject to change.

## Signature Features

### TORQUE MASTER® Balanced Grinding System



A combination of computer designed and balanced components working in unison to provide superior torque grind speed and long system life.

### 3-Bolt Mounting System

Compact, lightweight design fits 90% of existing sink mounts for quick installation.

### Removable Splash Guard

Removable splash guard, ideal for easy cleaning and replacement.

### Attached Power Cord

Ready to plug in.

### Permanent Magnet Motor

Maximum torque instantly with the power to cut through potential jams.

### 10-Year Limited Warranty

See warranty for complete details. LIFETIME warranty against failure due to corrosion.

Distributed by Electrolux Home Products, Inc.  
10200 David Taylor Drive  
Charlotte, NC 28262  
The Torque Master® name & logo is a registered trademark of Joneca Corporation.



# Waste Disposer

## SC75DISPB1

3/4 Horsepower  
Corded



### Features

Horsepower	3/4
Motor RPM	2700
Capacity	36.2 oz (1070ml)
Impellers	Stainless Steel Jam-Resistant Dual Impellers
Mounting Type	3-Bolt
Turntable Material	Stainless Steel
Grind Ring Material	Stainless Steel
Feed Type	Batch Feed
Controls	Stopper
Sound Shell	Full
Splash Guard	N/A
Motor Type	High-Torque Permanent Magnet
Sink Stopper	Yes
Manual Overload Protect	Yes
Drain Outlet Diameter	1-1/2"
Drain Connector	Yes
Drain Elbow	Yes
Warranty	10 Years <sup>1</sup>

### Specifications

Amps @ 120 Volts	6
Wiring Requirements	Corded
Voltage Rating	120V, 60Hz
Exterior Styling	Shell

### Accessories

Sink Flange Kit	Stainless Steel
-----------------	-----------------

## Signature Features

### TORQUE MASTER® Balanced Grinding System



A combination of computer designed and balanced components working in unison to provide superior torque grind speed and long system life.

### 3-Bolt Mounting System

Compact, lightweight design fits 90% of existing sink mounts for quick installation.

### Batch Feed Operation

Powers on by stopper insertion.

### Permanent Magnet Motor

Maximum torque instantly with the power to cut through potential jams.

### 10-Year Limited Warranty

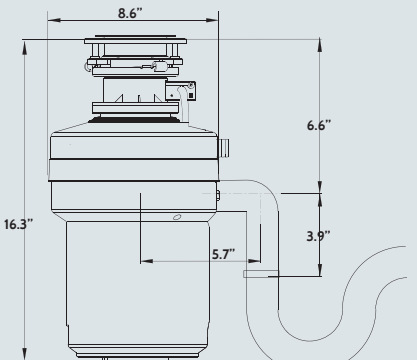
See warranty for complete details. LIFETIME warranty against failure due to corrosion.

### Attached Power Cord

Ready to plug in.

<sup>1</sup>See warranty for complete details.

### Product Dimensions



Specifications subject to change.

Distributed by Electrolux Home Products, Inc.  
10200 David Taylor Drive  
Charlotte, NC 28262  
The Torque Master® name & logo is a registered trademark of Joneca Corporation.



# Waste Disposer

## SC13DISPC1

1/4 Horsepower  
Corded

LARGEST  
HORSEPOWER  
AVAILABLE!



### Features

Horsepower	1/4
Motor RPM	2800
Capacity	36.2 oz (1070ml)
Impellers	Stainless Steel Jam-Resistant Dual Impellers
Mounting Type	3-Bolt
Turntable Material	Stainless Steel
Grind Ring Material	Stainless Steel
Feed Type	Continuous
Controls	Wall Switch
Sound Shell	Full
Splash Guard	Removable
Motor Type	High-Torque Permanent Magnet
Sink Stopper	Yes
Manual Overload Protect	Yes
Drain Outlet Diameter	1-1/2"
Drain Connector	Yes
Drain Elbow	Yes
Warranty	10 Years <sup>1</sup>

### Specifications

Amps @ 120 Volts	7.5
Wiring Requirements	Corded
Voltage Rating	120V, 60Hz
Exterior Styling	Shell

### Accessories

Sink Flange Kit	Stainless Steel
Silver Guard®	Magnetic Protection

<sup>1</sup>See warranty for complete details.

## Signature Features

### TORQUE MASTER®

#### Balanced Grinding System



A combination of computer designed and balanced components working in unison to provide superior torque grind speed and long system life.

#### Permanent Magnet Motor

Maximum torque instantly with the power to cut through potential jams.

#### 10-Year Limited Warranty

See warranty for complete details. LIFETIME warranty against failure due to corrosion.

#### 3-Bolt Mounting System

Compact, lightweight design fits 90% of existing sink mounts for quick installation.

#### Removable Splash Guard

Removable splash guard, ideal for easy cleaning and replacement.

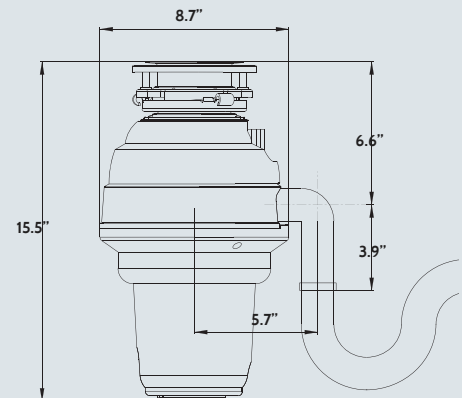
#### Attached Power Cord

Ready to plug in.

Distributed by Electrolux Home Products, Inc.  
10200 David Taylor Drive  
Charlotte, NC 28262

The Torque Master® name & logo is a registered trademark of Joneca Corporation.

### Product Dimensions



Specifications subject to change.