

SU913



SU913

- Motor: **600 cfm**
Aluminium die-cast motor housing
- Pressure: **480 Pa**
- Noise level: **63 dBA/4.9 sones**



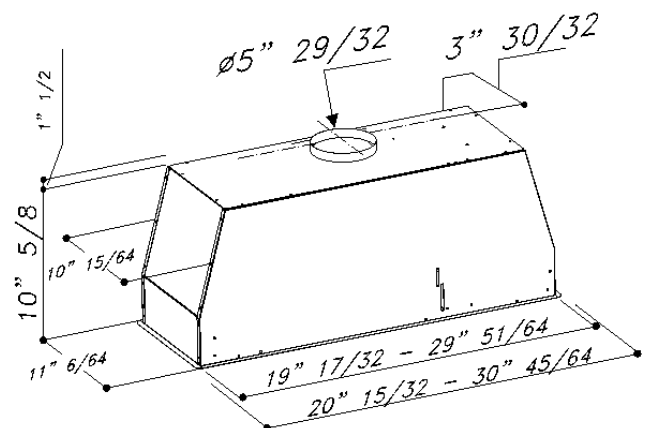
- Lighting: 1x6,5 W (520mm) 20"15/32 Led lamps
- Lighting: 1x10.5W (780mm) 30"45/64 Led Lamps



- Control panel: 4 speed push-button + timer + light switch



- Grease filter: anodized aluminium (5+1 layers)
- Stainless steel: AISI 430



Sirius