



SU908

SU908

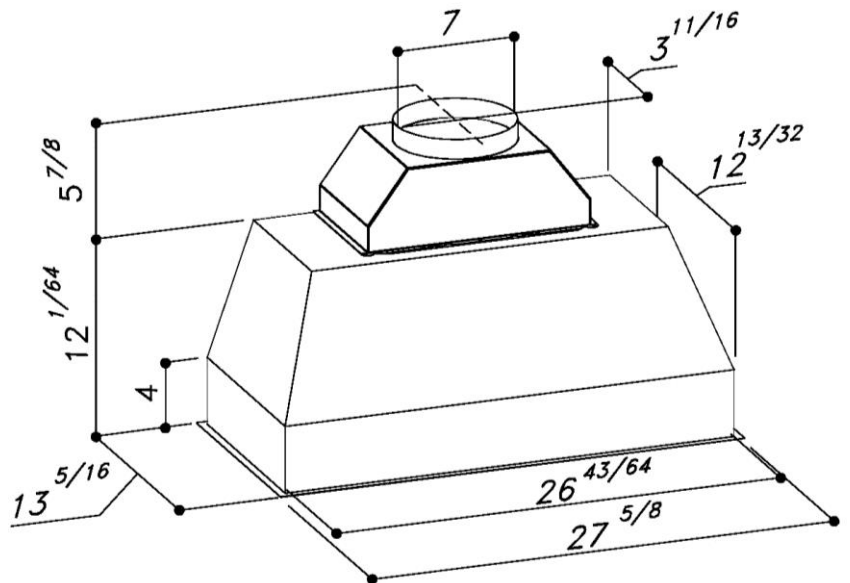


SU908 2 motors

- Motor: 900 CFM
- Lighting: 2x20W Dichroic lamps



- Control panel: 4 speed push-button + timer + light switch
- Grease filter: 295X239X25mm comercial style baffle filter
- Stainless steel: AISI 430
- Duct size 7"



Sirius