



FRIEDRICH

1 8 8 3

SimpleSill™ Installation Sheet

For Friedrich Breeze™ Air Conditioners

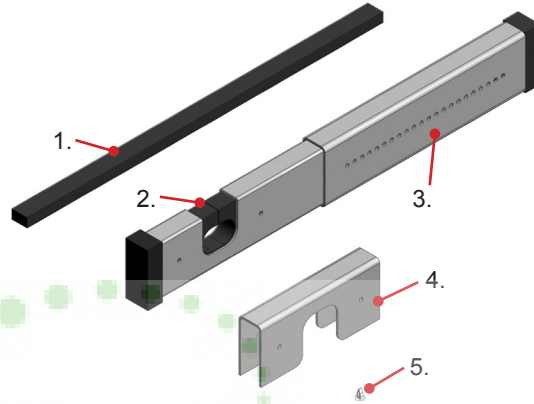
PATENT PENDING

OPTIONAL

For safety and security purposes you may want to secure the window with sill locks or other means to prevent the window from being opened once installation is complete.

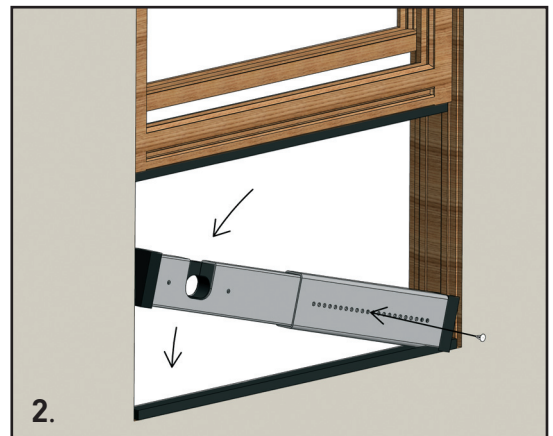
What's included:

ITEM	DESCRIPTION	QTY.
1.	Window gasket	2
2.	Pass through sleeve	1
3.	Extender	1
4.	Pass thru cover	1
5.	Securing pin	5



How to Install SimpleSill™

1. Be sure window sill is clean and free of dirt and debris. With the window raised, place bottom window gasket (trimmed to window width) firmly against window sill (adhesive side down). Install top window gasket to the bottom of the window so it will seal against the top of the SimpleSill™.
2. Expand the SimpleSill 1" greater than the width of the window and install the securing pin. Place one end of the SimpleSill into the window opening so it is against the corner of the window frame and sill. Raise the other side of the SimpleSill 6-9 inches (depending on window width) above the window sill. Next, press the raised side down until the SimpleSill is lodged securely into position. The SimpleSill end gaskets will conform to the window track shape.



(Installation continued on back side)



SimpleSill™ Installation Sheet

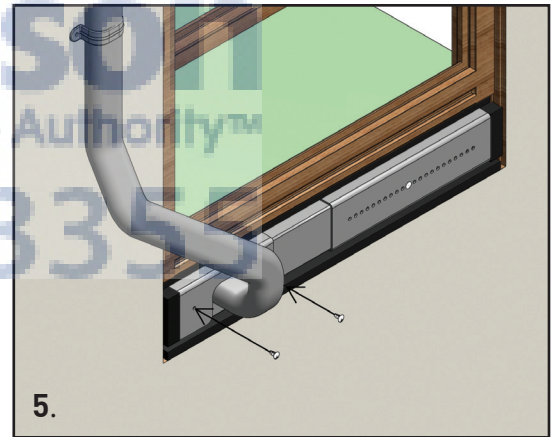
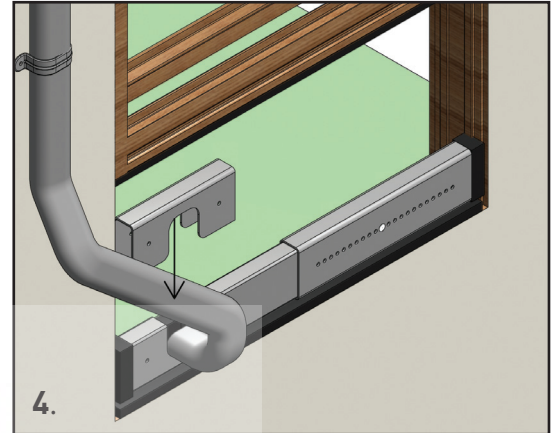
For Friedrich Breeze™ Air Conditioners

F R I E D R I C H

1 8 8 3

How to Install SimpleSill™ (continued from front)

3. Pass the connecting line out the window, forming it with the bending guide included with your Breeze system. NOTE: Follow the instructions located in STEP 4 of the Breeze Installation Instructions to avoid damaging the connecting line. Once the line is formed, insert it into the connecting line form in the SimpleSill.
4. Replace the pass through cover.
5. Insert securing pins.
6. Lower the window frame against the SimpleSill compressing gasket.
7. Depending on the type of window, install the appropriate security lock as recommended by manufacturer.



AirMadison
Your Appliance Authority™
800-570-3355