



24 in. Smart Convection Microwave Drawer™ Oven

# SMD2499FS

- **First-in-its-Class Convection Microwave Drawer™ Oven**
- **Easy Wave Open for Touchless Drawer Access**
- **Hidden Touch Glass Panel Opens at 45°**
- **Works with Alexa<sup>1</sup> & SHARP HOME™ App (iOS & Android)**
- **Dual Convection Fans for Turntable-Free Baking, Roasting, Grilling, and Air Frying**
- **120V Standard U.S. Household Outlet**
- **Flush-Mount Ready**

## FEATURES

Finish	Stainless Steel, Black Glass
Convection Drawer Opening	Mobile App, "Easy Wave Open" Motion Sensor or Open/Close Button, and Alexa Voice Command <sup>1</sup>
Width	24"
Capacity (cu. ft.)	1.4
Microwave Output Power (watts)	900W
Top Grill Ring Heater Wattage/Fan	1000W
Top 6 Pass Heater (3X 2-Pass Heaters)	1500W (3 x 500W)
Back Ring Heater Wattage/Fan	1500W
Interior Light	Two LED Lights
Timer/Settings	Yes
Open/Close	Yes
Start/+30 Sec	Yes
Stop/Clear	Yes
Power Level	11
Clock	Yes
Multi-Stage Cooking	4
Control Lock	Yes
Demo Mode	Yes
Microwave ON Indicator	Yes
End of Cooking Reminder	Yes
Interior Type	Stainless Steel
Drawer Tray Side Finish	Black

## CONTROL PANEL

Control Panel Location	Center/Top - Hidden Control, Push to Open
Control Panel Type	Glass Touch, Drop-Down 45° Angle
Control Panel Wi-Fi Indicator	Yes, Blue
Control Panel Oven Indicator Status	Yes, LED
Display Type	LCD
Display Color	White on Black Background

## CONVECTION FEATURES

Convection Manual Cook	Convection Bake (90°F - 450°F) Convection Roast (375°F - 450°F) Convection Grill (450°F) Warm (90°F / 150°F / 200°F) Toast - 5 Presets
------------------------	--

## CONVECTION FEATURES CONT.

Convection Speed Cook	<b>Speed Cook Bake</b> (90°F - 450°F) - Bake + % Microwave <b>Speed Cook Roast</b> (90°F - 450°F) - Roast + % Microwave <b>Speed Cook Grill</b> (450°F) - Grill + % Microwave
Convection More Menus	<b>Breads</b> - Biscuits, Dinner Rolls, Crescent Rolls <b>Desserts</b> - Cookies, Brownies, Layered Cake <b>Fish</b> - Fish Fillet, Breaded Shrimp <b>Hamburgers</b> - Beef Burger, Turkey Burger, Veggie Burger <b>Pizza</b> - Frozen Thin Pizza, Frozen Classic Pizza, Frozen Rising Pizza, Fresh on Pizza Stone <b>Beef</b> - Beef Roast, Flank Steak <b>Pork</b> - Pork Tenderloin, Boneless Pork Chop, Bacon <b>Poultry</b> - Chicken Drumsticks, Boneless Chicken Breast, Whole Chicken, Turkey Breast <b>Air Fry</b> - Chicken Tenders, French Fries, Mozzarella Sticks, Tater Tots

## MICROWAVE FEATURES

Popcorn	Sensor - Regular & Mini
Reheat	Sensor
Defrost Settings	Ground Meat, Steaks/Chops, Boneless Poultry, Bone-in Poultry, Roast, Casserole and Soup
Sensor Cook	Baked Potato, Sweet Potato, Fish/Seafood, Brown Rice, White Rice, Quick Fresh Vegetables, Longer Fresh Vegetables, Steamer Bag, Frozen Vegetables, Ground Meat, Frozen Entrée
Microwave More Menus	<b>Melt</b> - Butter, Chocolate <b>Soften</b> - Ice Cream, Cream Cheese <b>Warm</b> - Syrup, Dessert Toppings

## ADDITIONAL FEATURES

Mobile Application	Yes, Available for iOS and Android
Voice Control	Yes, Home Assistant not Included
Wi-Fi Connectivity	Yes
Oven Floor	Patterned Glass
Flush Mount Ready	Yes, Vent Built into the Bottom

© 2025 Sharp Electronics Corporation. All rights reserved. Sharp and all related trademarks are trademarks or registered trademarks of Sharp Corporation and/or its affiliated companies. All other trademarks are property of their respective owners. Product specifications and design are subject to change without notice. Internal capacity calculated by measuring maximum width, depth and height. Actual capacity for holding food is less. <sup>1</sup>Must register with Amazon Alexa App. <sup>2</sup>Amazon Echo device not included. <sup>3</sup>Must be installed according to ADA guidelines. Please check current ADA requirements.

# SHARP | Simply Better Living

## 24 in. Smart Convection Microwave Drawer™ Oven | SMD2499FS

### INCLUDED ACCESSORY

Ceramic Drip Dish	Yes
Lower Convection Rack	Yes
Upper Convection Rack	Yes

### OPTIONAL ACCESSORY

Product Name	Convection Drawer Pedestal
Model	SKCD24U0GS
Color	Stainless Steel or Custom Panel Ready
UPC	074000621459

### ADDITIONAL SPECIFICATIONS

Power Source	115V, 60Hz / 15A / 1.67KW
--------------	---------------------------

### DIMENSIONS & WEIGHT (IN./LBS.) (W X H X D)

Interior Cavity Dimensions	16-15/16" x 8-3/4" x 16-7/16"
Product Dimensions	23-5/8" x 19-5/8" x 22-1/2"
Shipping Dimensions	27-1/2" x 24-1/2" x 27"
Product Weight / Shipping Weight	115.0 lbs. / 130.0 lbs.
Standard Mount Cutout Dimensions	22-3/8" x 19-1/2" x 23-1/2"
Flush Mount Cutout Dimensions	23-7/8" x 19-7/8" x 23-1/2"

### WARRANTY/UPC

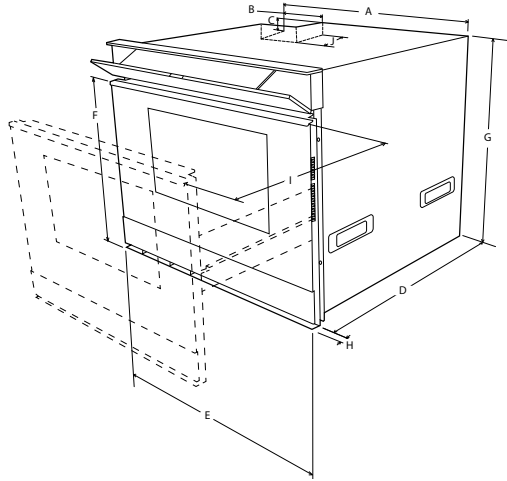
Parts	1 Year (In-Home Limited)
Labor	1 Year (In-Home Limited)
Magnetron Tube	4 Years Additional (Parts Only)
UPC	074000621220



The following are measurements only.  
Do not use to install convection  
microwave drawer™ oven.

For detailed installation instructions, please  
refer to the installation manual

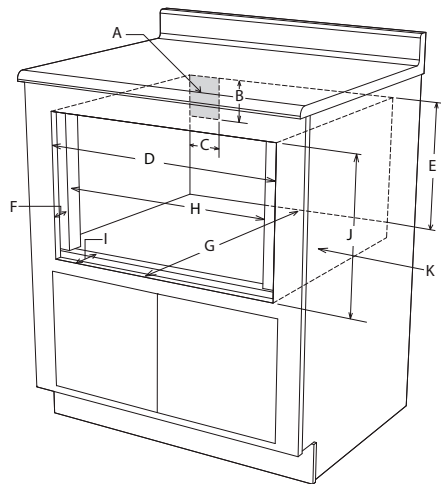
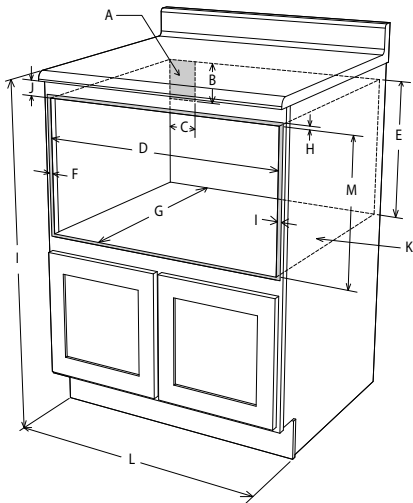
**PRODUCT DIMENSIONS**



- A. 21-7/8" (555.56 mm)
- B. 4-11/16" (119.06 mm)
- C. 1-3/4" (44.45 mm)
- D. 20-7/8" (555.63 mm)
- E. 23-5/8" (600.07 mm)
- F. 19-5/8" (498.48 mm)
- G. 19-1/4" (488.95 mm)
- H. 1-5/8" (41.2789 mm) door thickness
- I. 15-1/2" (393.7 mm) auto drawer opening
- J. 4" (101.6 mm)

**STANDARD MOUNT MEASUREMENTS**

**FLUSH MOUNT MEASUREMENTS**



- A. Suggested electrical outlet location\*
- B. 5" (127 mm)
- C. 4" (101.60 mm)
- D. 22-3/8" (568.32 mm) opening
- E. 19-3/8" (492.12 mm)
- F. Allow 5/8" (15.87 mm) overlap
- G. 23-1/2" (596.90 mm) minimum depth
- H. Allow 1/8" (3.17 mm) overlap
- I. 36" (914.40 mm) countertop height
- J. Allow 1/2" (12.70 mm) minimum space
- K. Floor must support 100 lbs. (45.4 kg)
- L. 24" (609.60 mm) cabinet minimum
- M. 19 1/2" (495.3 mm) opening

- A. Suggested electrical outlet location
- B. 5" (127 mm)
- C. 4" (101.60 mm)
- D. 23-7/8" (606.43 mm)
- E. 19-3/8" (492.12 mm)
- F. 1-5/8" (41.27 mm)
- G. 23-1/2" (596.90 mm) minimum depth
- H. 23-5/8" (600.07 mm)
- I. 1-5/8" (41.27 mm) to front of shelf
- J. 19 7/8" (504.83 mm) opening
- K. Floor must support 100 lbs. (45.4 kg)