



24 in. Smart Microwave Drawer™ Oven

# SMD2489ES

- Easy Wave Open for Touchless Drawer Access
- Hidden Touch Glass Panel Opens at 45°
- Sensor Cook Menu for Precise Cooking and Reheating
- Works with Alexa<sup>1</sup> & SHARP HOME™ App (iOS & Android)
- Hands-Free Cooking with 35+ Alexa Voice Commands<sup>2</sup>
- Modern Edge-to-Edge Black Glass with Viewing Window
- Flush-Mount Ready

## FEATURES

Finish	Stainless Steel, Black Glass
Drawer Opening	Mobile App, "Easy Wave Open" Motion Sensor or Open/Close Button, and Alexa Voice Command <sup>1</sup>
Width	24"
Capacity (cu. ft.)	1.2
Output Power (watts)	950
Interior Light	LED
Timer/Settings	Yes
Open/Close	Yes
Start/+30 Sec	Yes
Stop/Clear	Yes
Power Level	11
Clock	Yes
Multi-Stage Cooking	4
Control Lock	Yes
Demo Mode	Yes
Microwave ON Indicator	Yes
End of Cooking Reminder	Yes
Auto Start	Yes
Standby Mode	Yes

## CONTROL PANEL

Control Panel Location	Center/Top
Control Panel Type	Glass Touch, Drop-Down 45° Angle
Display Type	LCD
Display Color	White on Black Background

## COOKING / MENU PRESETS

Popcorn	Sensor
Reheat	Sensor
Defrost Settings	Ground Meat, Steaks/Chops, Boneless Poultry, Bone-in Poultry, Roast, Casserole or Soup
Sensor Cook	Baked Potatoes, Sweet Potatoes, Fish/Seafood, Brown Rice, White Rice, Quick Fresh Vegetables, Longer Fresh Vegetables, Steamer Bags, Frozen Vegetables, Ground Meat, Frozen Entrées

Melt, Soft & Warm Options	Butter, Chocolate, Ice Cream, Cream Cheese, Syrup, Dessert Topping
Other Menus	Beverage Reheat, Hot Water, Hot Cereal

## ADDITIONAL FEATURES

Works with Alexa	Yes
Mobile Application	Yes, available for iOS and Android
WiFi Connectivity	Yes
Oven Floor	Patterned Glass
Flush Mount Ready	Yes, Vent Built into the Bottom

## OPTIONAL ACCESSORIES

<b>Product Name</b>	<b>Extension Kit for 30" Width</b>
Model	SKMD30E9ES
Color	Stainless Steel with Black Glass
UPC	074000621039
<b>Product Name</b>	<b>Drawer Pedestal</b>
Model	SKMD24U0ES
Color	Stainless Steel or Custom Panel Ready
UPC	074000620865

## ADDITIONAL SPECIFICATIONS

Power Source	120V, 60Hz / 14.5A / 1.67 KW
--------------	------------------------------

## DIMENSIONS & WEIGHT (IN./LBS.) (W X H X D)

Interior Cavity Dimensions	17-5/16" x 7-1/8" x 16-9/16"
Product Dimensions	23-5/8" x 16" x 23-7/16"
Shipping Dimensions	27-3/4" x 21-3/4" x 29-1/4"
Product Weight / Shipping Weight	74.0 lbs. / 85.5 lbs.
Standard Mount Cutout Dimensions	22-1/8" x 15-9/16" x 23-1/2"
Flush Mount Cutout Dimensions	23-7/8" x 16-1/4" x 23-1/2"

## WARRANTY/UPC

Parts	1 Year (In-Home Limited)
Labor	1 Year (In-Home Limited)
Magnetron Tube	4 Years Additional (Parts Only)
UPC	074000620896

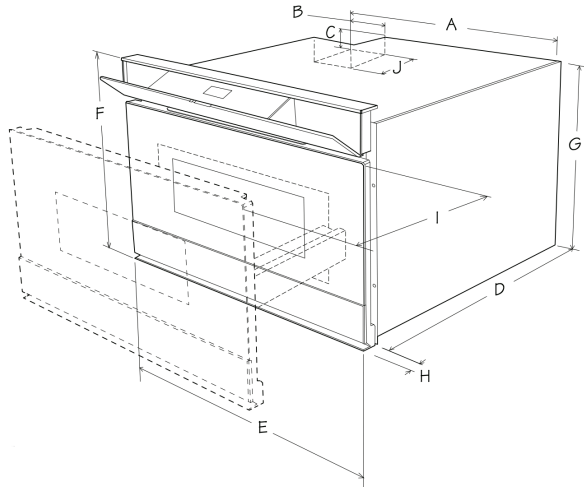


© 2025 Sharp Electronics Corporation. All rights reserved. Sharp and all related trademarks are trademarks or registered trademarks of Sharp Corporation and/or its affiliated companies. All other trademarks are property of their respective owners. Product specifications and design are subject to change without notice. Internal capacity calculated by measuring maximum width, depth and height. Actual capacity for holding food is less. <sup>1</sup>Must register with Amazon Alexa App. <sup>2</sup>Amazon Echo device not included. <sup>3</sup>Must be installed according to ADA guidelines. Please check current ADA requirements.

The following are measurements only.  
Do not use to install microwave drawer™ oven.

For detailed installation instructions, please refer to the installation manual.

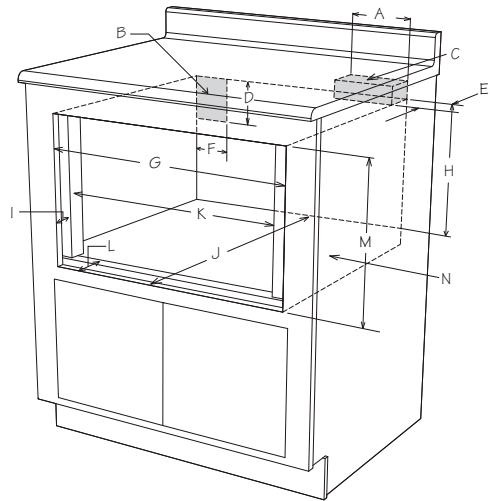
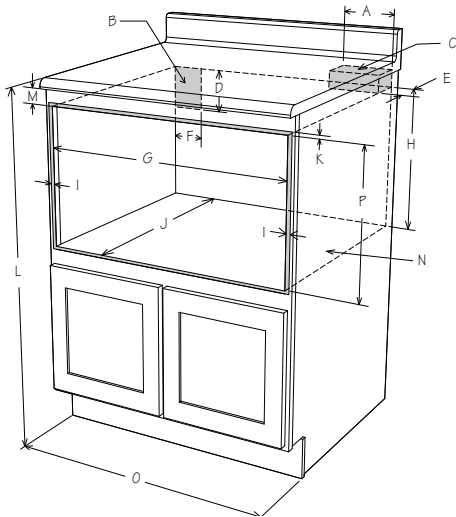
**PRODUCT DIMENSIONS**



- A. 21-5/8" (549.28 mm)
- B. 4-11/16" (119.06 mm)
- C. 1-3/4" (44.45 mm)
- D. 21-7/8" (555.63 mm)
- E. 23-5/8" (600.07 mm)
- F. 16" (406.4 mm)
- G. 14-19/32" (370.68 mm)
- H. 1-9/16" (39.69 mm) door thickness
- I. 15" (381 mm) auto drawer opening
- J. 4" (101 mm)

**STANDARD MOUNT MEASUREMENTS**

**FLUSH MOUNT MEASUREMENTS**



- A. 6" (152.40 mm)
- B. Suggested electrical outlet location
- C. Anti-Tip block
- D. 5" (127 mm)
- E. 3-1/2" (88.90 mm)
- F. 4" (101.60 mm)
- G. 22-1/8" (561.97 mm) opening
- H. 14-13/16" (376.24 mm) to bottom of Anti-Tip block
- I. Allow 7/8" (22.22 mm) overlap
- J. 23-1/2" (596.90 mm) min. depth
- K. Allow 7/16" (11.11 mm) overlap
- L. 36" (914.40 mm) countertop height
- M. Allow 7/16" (11.11 mm) min. space
- N. Floor must support 100 lb/45.4 kg
- O. 24" (609.60 mm) cabinet min.
- P. 15-9/16" (395.29 mm) opening

- A. 6" (152.40 mm)
- B. Suggested electrical outlet location
- C. Anti-Tip block
- D. 5" (127 mm)
- E. 3-1/2" (88.90 mm)
- F. 4" (101.60 mm)
- G. 23-7/8" (606.43 mm)
- H. 14-13/16" (376.24 mm) to bottom of Anti-Tip block
- I. 1-17/32" (38.89 mm)
- J. 23-1/2" (596.90 mm) min. depth
- K. 22-1/8" (561.97 mm)
- L. 1-17/32" (38.89 mm) to front of shelf
- M. 16-1/4" (412.75 mm) opening
- N. Floor must support 100 lb (45.4 kg)