



24 in. Microwave Drawer™ Oven

SMD2470ASY

- **Automatic Drawer System, Opens with a Press of a Button and Gently Closes with a Soft Nudge**
- **Hidden Touch Glass Panel Opens at 45°**
- **Sensor Cook Menu for Precise Cooking and Reheating**
- **Fits a 20 oz. Cup or 4 qt. Casserole Dish**
- **Install Below an Island, Peninsula, or Standard Cabinetry**
- **Built-In Airflow Control for Flush Installation**

FEATURES

Finish	Stainless Steel
Drawer Opening	Automatic Door, Open/Close Button
Width	24"
Capacity (cu. ft.)	1.2
Output Power (watts)	950
Open/Close	Yes
Start/+30 Sec	Yes
Stop/Clear	Yes
Power Level	00
Minute Plus™	Yes
Interior Light	Yes
Kitchen Timer	Yes
Clock	Yes
Control Lock	Yes
Demo Mode	Yes
Built-In Ready for Easy Installation	Yes

CONTROL PANEL

Control Panel Location	Center/Top
Control Panel Type	Touchpad, Drop-Down 45° Angle
Display Type	LCD
Display Color	White on Black Background

COOKING / MENU PRESETS

Sensor Cook, Reheat and Popcorn	Yes, 12 settings
Reheat Auto Settings	2 settings
Defrost Auto Settings	6 settings
Microwave Keep Warm Setting	Yes, up to 30 minutes

ADDITIONAL FEATURES

Flush Mount Ready	Yes, (Kit Sold Separately)
-------------------	----------------------------

OPTIONAL ACCESSORY

24" Flush Mount Deflector Vent	SKMD24FOAS
Flush Mount Deflector Vent Kit (1)	PREF-B019MRP0
	(2) LX-CZB055MRE0

Product Name	Under the Counter Drawer Pedestal
Model	SKMD24U0ES
Color	Stainless Steel or Custom Panel Ready
UPC	074000620865

ADDITIONAL SPECIFICATIONS

Power Ratings:	120V, 60Hz / 1.67kW, 14.5 Amps
----------------	--------------------------------

DIMENSIONS & WEIGHT (IN./LBS.) (W X H X D)

Interior Cavity Dimensions	17-5/16" x 7-1/8" x 16-9/16"
Product Dimensions	23-7/8" x 15-7/8" x 23"
Shipping Dimensions	27-3/4" x 21-3/4" x 29-1/4"
Product Weight / Shipping Weight	74.0 lbs. / 84.5 lbs.
Standard Mount Cutout Dimensions	22-1/8" x 15-9/16" x 23-1/2"
Flush Mount Cutout Dimensions	24-3/16" x 16-7/8" x 23-1/2"

WARRANTY/UPC

Parts	1 Year (In-Home Limited)
Labor	1 Year (In-Home Limited)
Magnetron Tube	4 Years Additional (Parts Only)
UPC	074000619371



The following are measurements only.
Do not use to install microwave drawer™ oven.

For detailed installation instructions, please refer to the installation manual.

PRODUCT DIMENSIONS

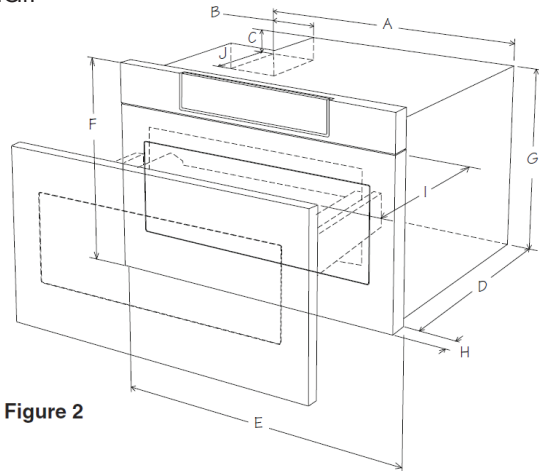
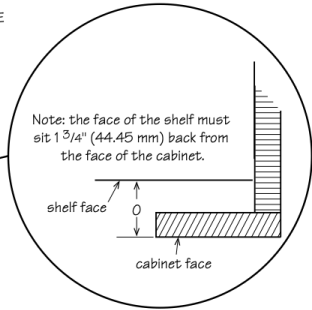
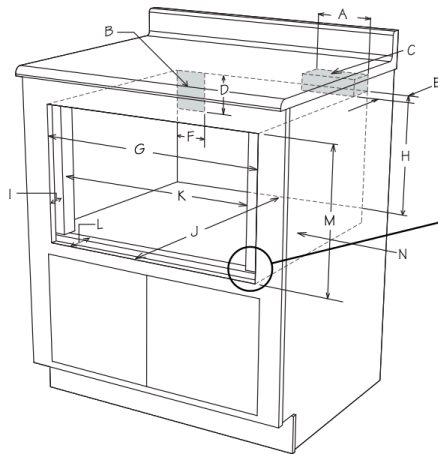
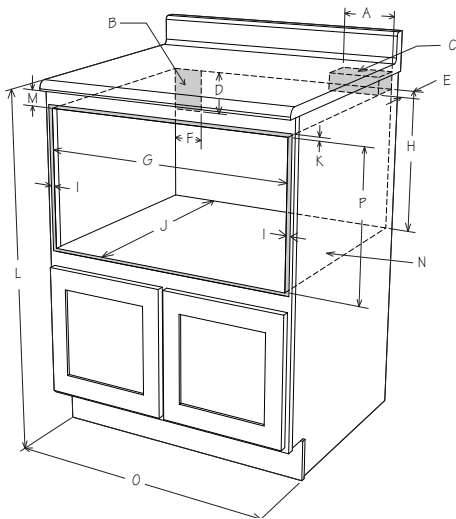


Figure 2

- A. 21-5/8" (549.28 mm)
- B. 4-11/16" (119.06 mm)
- C. 1-3/4" (44.45 mm)
- D. 21-7/8" (555.63 mm)
- E. 23-7/8" (606.43 mm)
- F. 15-7/8" (403.23 mm)
- G. 14-19/32" (370.68 mm)
- H. 1-1/4" (31.75 mm) door thickness
- I. 15" (381 mm) auto drawer opening
- J. 4" (101.6 mm)

STANDARD MOUNT MEASUREMENTS

FLUSH MOUNT MEASUREMENTS WITH DEFLECTOR VENT



- A. 6" (152.40 mm)
- B. Suggested electrical outlet location
- C. Anti-Tip block
- D. 5" (127 mm)
- E. 3-1/2" (88.90 mm)
- F. 4" (101.60 mm)
- G. 22-1/8" (561.97 mm) opening
- H. 14-13/16" (376.24 mm) to bottom of Anti-Tip block

- I. Allow 7/8" (22.22 mm) overlap
- J. 23-1/2" (596.90 mm) min. depth
- K. Allow 1/4" overlap
- L. 36" (914.40 mm) countertop height
- M. Allow 1/4" min. space
- N. Floor must support 100 lb/45.4 kg
- O. 24" (609.60 mm) cabinet min.
- P. 15-9/16" (395.29 mm) opening

- A. 6" (152.40 mm)
- B. Suggested electrical outlet location
- C. Anti-Tip block
- D. 5" (127 mm)
- E. 3-1/2" (88.90 mm)
- F. 4" (101.60 mm)
- G. 24-3/16" (614.35 mm) minimum
24-1/2" (622.3 mm) maximum

- H. 14-13/16" (376.24 mm) to bottom of Anti-Tip block
- I. 1-1/16" (26.97 mm)
- J. 23-1/2" (596.90 mm) minimum depth
- K. 22-1/8" (561.97 mm)
- L. 1-3/4" (44.45 mm)
- M. 16-7/8" (428.62 mm) opening
- N. Floor must support 100 lb (45.4 kg)
- O. 1-3/4" (44.45 mm)