

SHARP

SMART AND EASY KITCHEN SYSTEMS

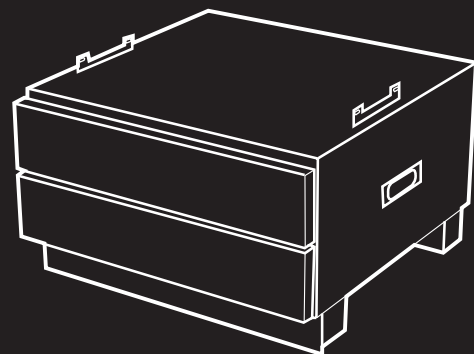
Convection

Microwave Drawer

Under the Counter

Pedestal

SKCD24U0GS





- Two Drawer Storage
- Stainless Steel Drawer Front
- Accepts Custom Front Drawer Panels
- Flexible Mounting Depth (including Flush)
- Push-To-Open Drawers
- 5" x 18^{11/16"} x 21^{13/16"} (127 mm x 474.7 mm x 554 mm) Drawer Storage
- Drawer Liners Included

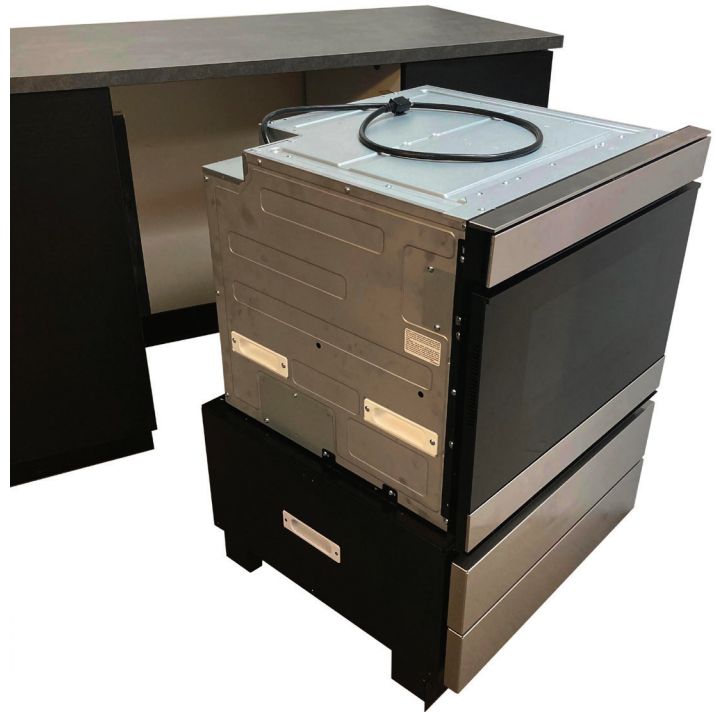
1-2-3 INSTALLATION

1. Mount Convection Microwave
Drawer on top of pedestal.

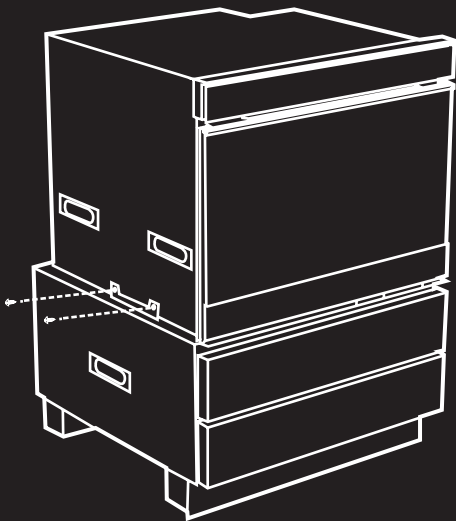


24" (610 mm)
Space

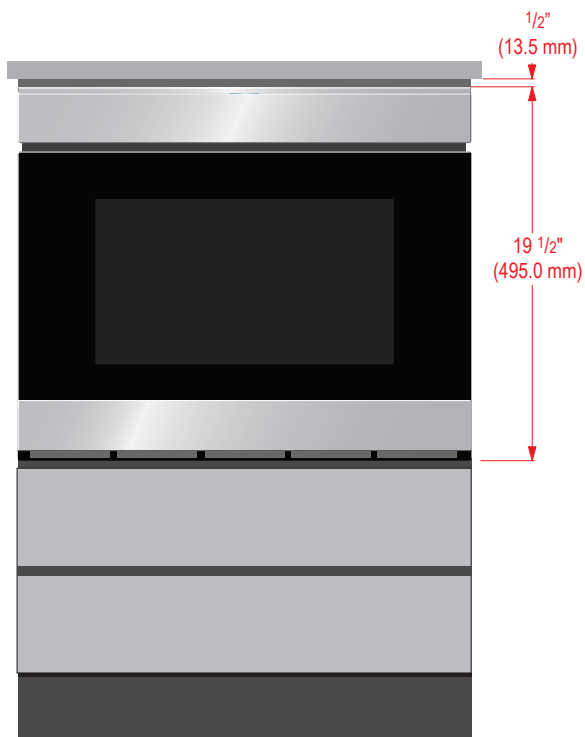
2. Adjust height, plug in and push
into position.



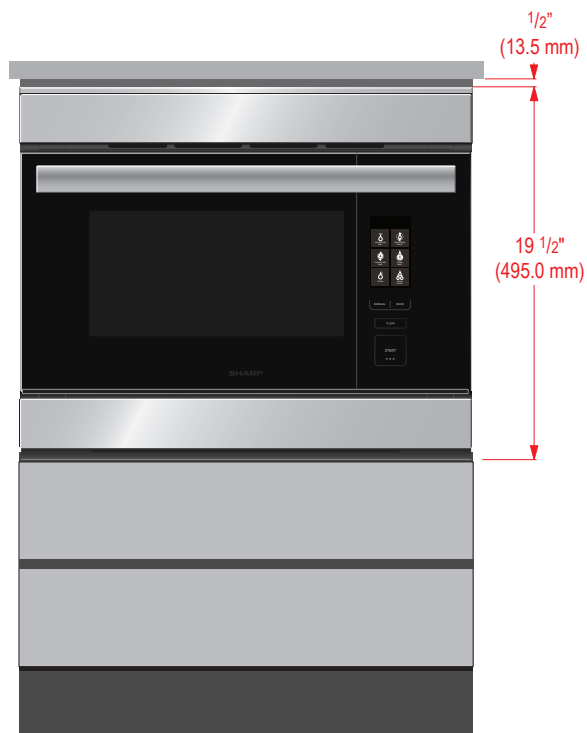
3. Secure unit with mounting
screws and place toe kick into
place. Enjoy!



Can be paired with the following models:



SMD2499FS - Convection Microwave Drawer
SKCD24U0GS - Pedestal

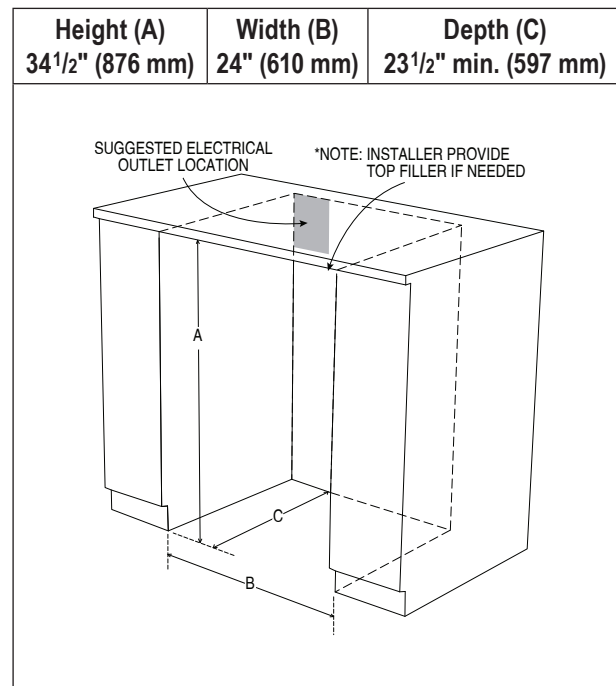


SSC2489GS - SuperSteam+ Oven
SKCD24U0GS - Pedestal

Model# **SKCD24U0GS**

Description	Convection Microwave Drawer Pedestal*
Category Size	24" / 610 mm
Color	Stainless Steel (Drawer Front)
Dimension W x D x H	23 13/16" x 23 1/2" x (14 7/16" Min. / 15 3/4" Max.) 605 mm x 597 mm x (366.7 mm Min. / 400 mm Max.)
Mounting Location	Floor - Under the Counter
Number of Drawers	2
Drawer Opening	Push to Open
Inside Drawer Dimension	21 13/16" x 18 11/16" x 5" 554 mm x 474.7 mm x 127 mm
Drawer Face Custom Cabinet Replacement	Yes
Drawer Liners	2 - Black Mats
Flush Mounting	Yes
Additional Features	Adjustable Feet for Height

Cabinet cutout dimensions. Prepare the cabinet opening as shown below.



* Can also be paired with the SuperSteam+ models: SSC2489GS, SSC2489DS