

IMPORTANT SAFETY INFORMATION

READ ALL INSTRUCTIONS BEFORE USING THIS PRODUCT

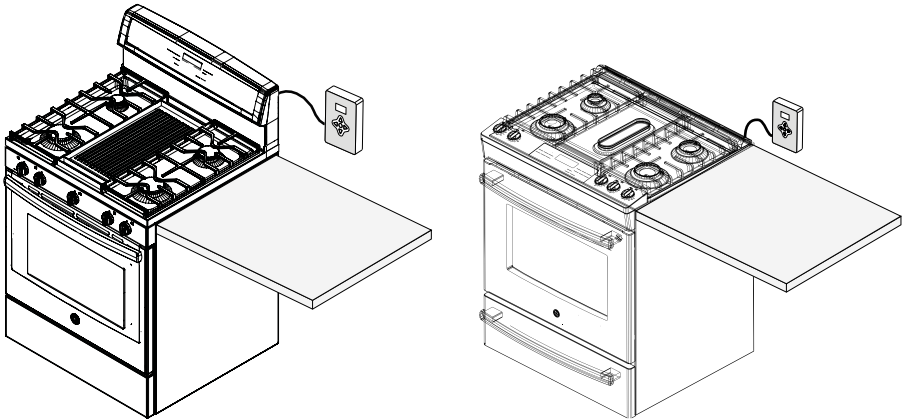
⚠ WARNING

Read all safety instructions before using this product. Failure to follow these instructions may result in fire, electrical shock, serious injury, or death.

⚠ WARNING

GENERAL SAFETY INFORMATION

- Install and store product as described in the installation instructions included with this product. Keep product and communication cable away from heat sources including candles, near the oven and cooktop, near hot cookware or any other potentially hot items.

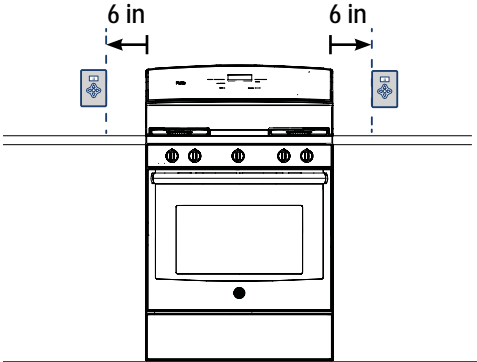


For use with compatible freestanding and front control gas and electric ranges only. For a complete and most recent list of models, please go to www.zmantechologies.com

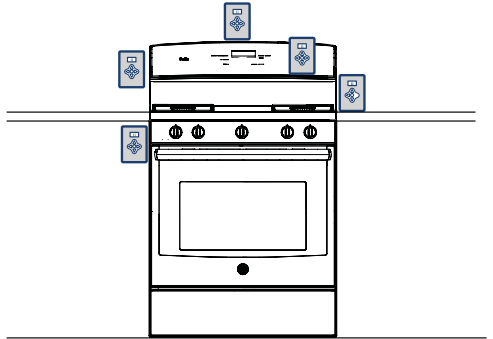
⚠ CAUTION BACK CONTROL INSTALLATION LOCATIONS

- To prevent overheating and damage to the product, it should be installed away from heat sources on a countertop or nearby wall. These instructions must be followed on both gas and electric range types. See below for proper installation examples.

WALL INSTALLATION

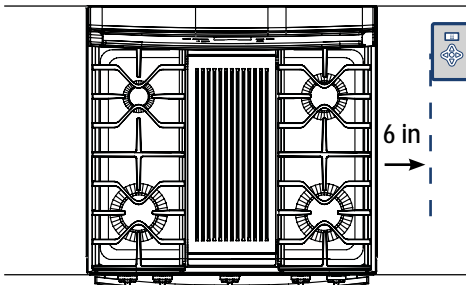


The Shabbos Keeper should be placed at least 6 inches away from the range.

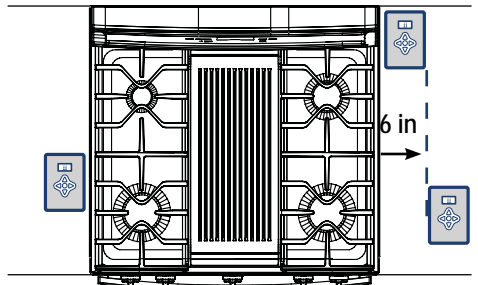


The Shabbos Keeper should NOT be placed within 6 inches of any appliance surface.

COUNTER INSTALLATION



The Shabbos Keeper should be placed at least 6 inches away from the range near the top of the countertop.

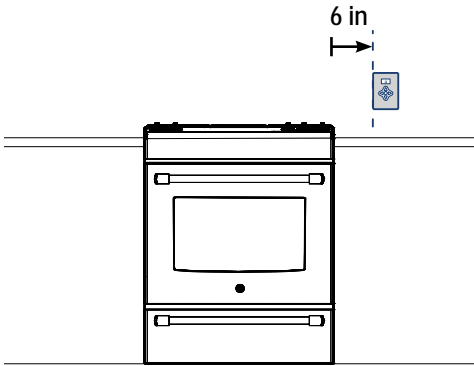


The Shabbos Keeper should NOT be placed within 6 inches of any appliance surface, nor near the front of the countertop.

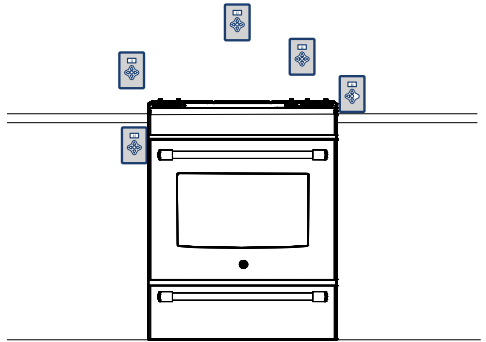
⚠ CAUTION FRONT CONTROL INSTALLATION LOCATIONS

- To prevent overheating and damage to the product, it should be installed away from heat sources on a countertop or nearby wall. These instructions must be followed on both gas and electric range types. See below for proper installation examples.

WALL INSTALLATION (Right side install only for front control models)

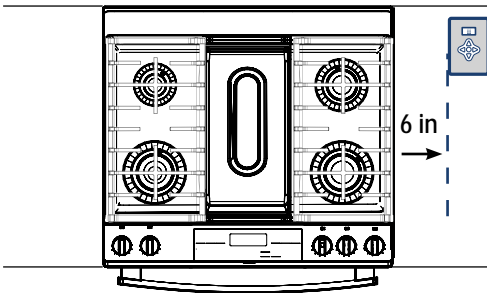


The Shabbos Keeper should be placed at least 6 inches away from the range.

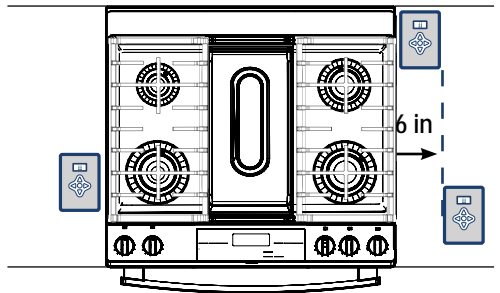


The Shabbos Keeper should NOT be placed within 6 inches of any appliance surface.

COUNTER INSTALLATION (Right side install only for front control models)



The Shabbos Keeper should be placed at least 6 inches away from the range near the top of the countertop.



The Shabbos Keeper should NOT be placed within 6 inches of any appliance surface, nor near the front of the countertop.

INSTALLATION INSTRUCTIONS

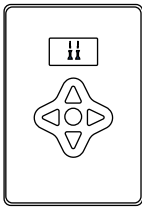
READ ALL INSTRUCTIONS BEFORE INSTALLING THIS PRODUCT

⚠ WARNING Read all installation instructions before installing this product. Failure to follow these installation instructions may result in fire, electrical shock, serious injury, or death.

1. Remove the Shabbos Keeper module, communication cable, and the attachment strips from packaging.



Communication
Cable

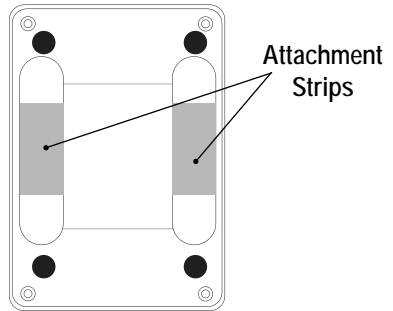


Module

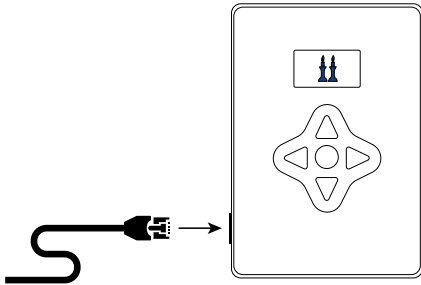


Attachment
Strips

2. Carefully apply two of the adhesive attachment strips onto the back of the product, on the left and right sides as shown. Firmly hold the strips on for at least 30 seconds.



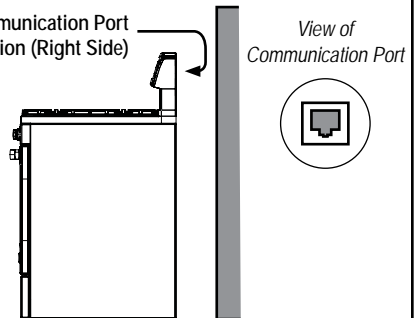
3. Plug one end of the communication cable into the Shabbos Keeper.



4a. For Back Control Units Only:

Insert the other end of the communication cable into the range communication port. You may need to pull the appliance away from the wall to access the port.

Communication Port
Location (Right Side)



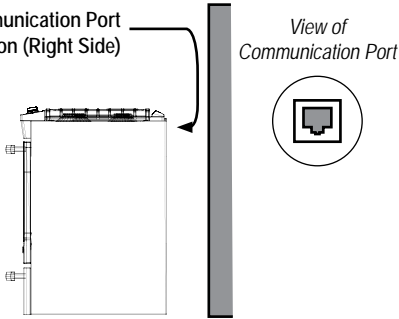
⚠ WARNING

Read all installation instructions before installing this product. Failure to follow these installation instructions may result in fire, electrical shock, serious injury, or death.

4b. For Front Control Units Only:

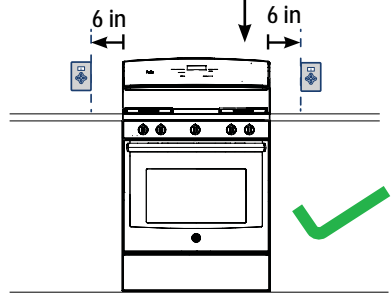
Insert the other end of the communication cable into the range communication port. You may need to pull the appliance away from the wall to access the port.

Communication Port Location (Right Side)

**5a. For Back Control Units Only:**

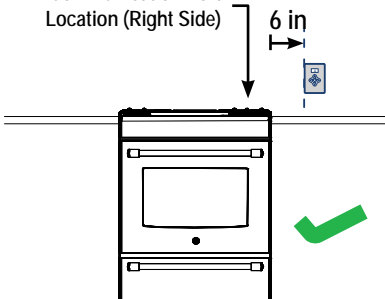
Use the examples on page 2 to determine a location to properly store your Shabbos Keeper. Make sure to place your Shabbos Keeper in an approved location.

Communication Port Location (Right Side)

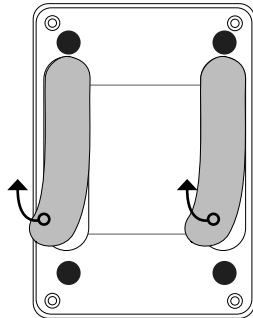
**5b. For Front Control Units Only:**

Use the examples on page 3 to determine a location to properly store your Shabbos Keeper. Make sure to place your Shabbos Keeper in an approved location.

Communication Port Location (Right Side)



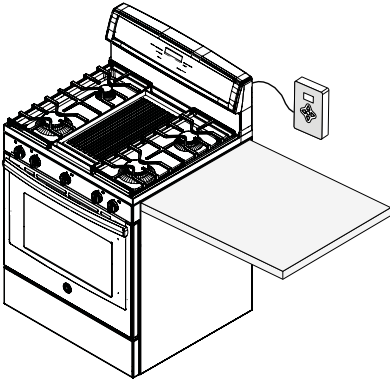
6. With an approved location determined, snap the remaining two attachment strips onto the newly attached ones. Remove the paper backing from the attachment strips.



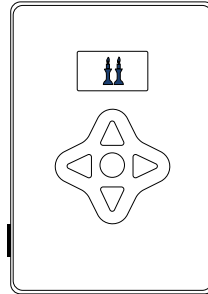
⚠ WARNING

Read all installation instructions before installing this product. Failure to follow these installation instructions may result in fire, electrical shock, serious injury, or death.

- 7.** With the backing paper removed, press and firmly hold the product in the selected location (against the countertop or wall) for at least 30 seconds to ensure full adhesion.



- 8.** Use the attachment strips to attach and detach the Shabbos Keeper whenever product settings need to be adjusted or for cleaning. Always return the Shabbos Keeper to this location while the appliance is in use.



NOTES:
