

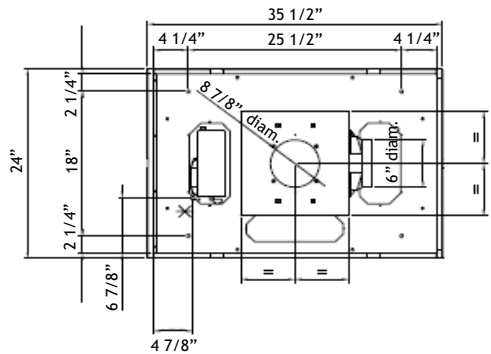
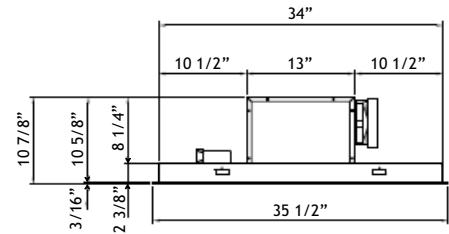
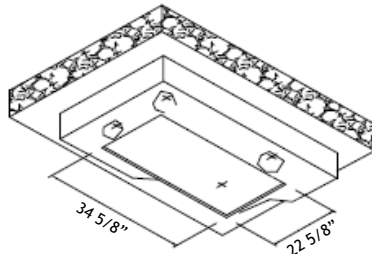
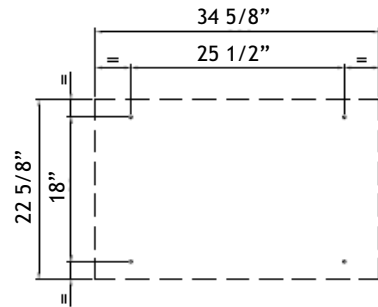
# Futuro Futuro

## RANGE HOOD

### INSTALLATION MANUAL

#### MODEL: SAVONA CEILING

**NOTE: PRIOR TO INSTALLATION**  
Please inspect range hood visually, as well as connect it to power supply and test its operation.

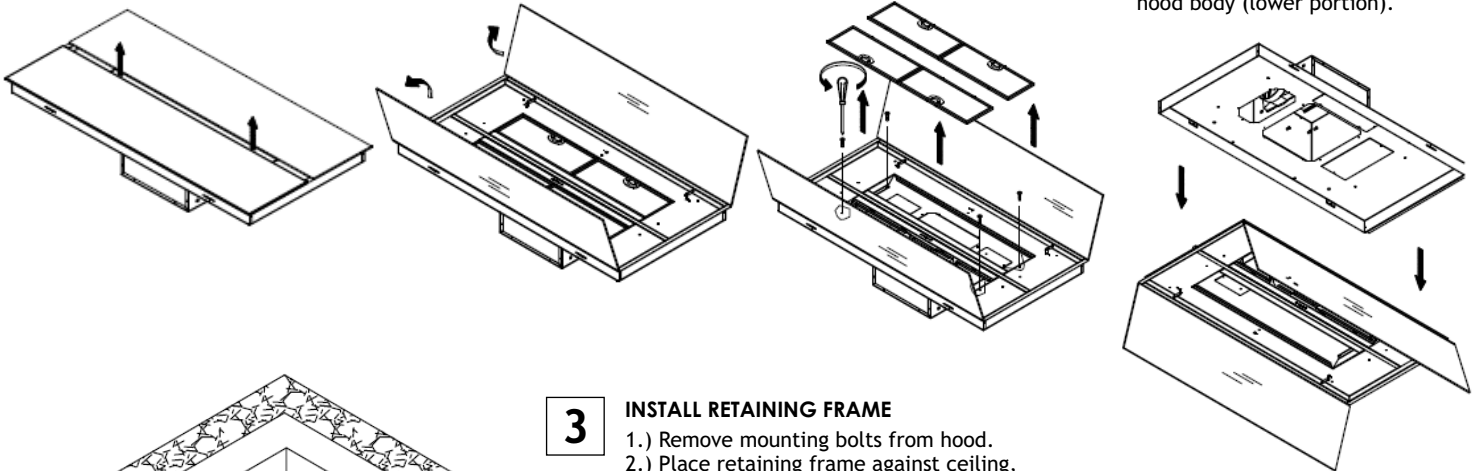


## 2 PREPARATION

1.) The outer panel is held in place by magnets. To open the panel, pull down on the edge of the panel, in BOTH of the indicated spots - in order to avoid potentially warping the panel.

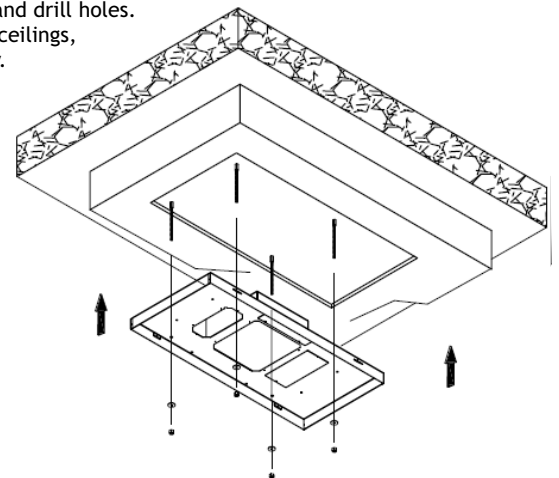
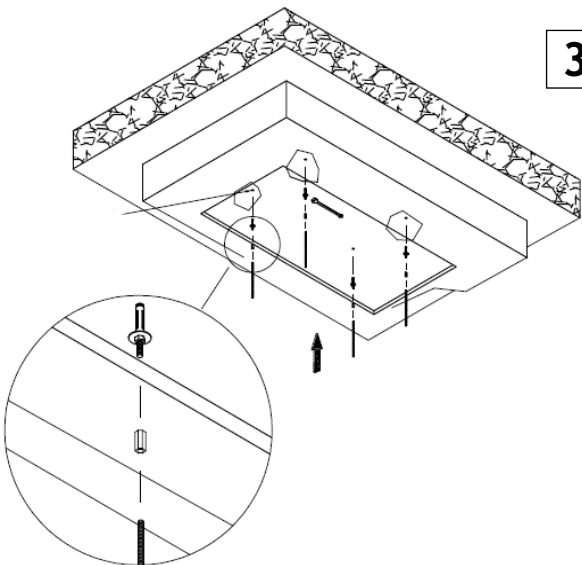
2.) Remove filter panels (2 on 36" version, 4 on 48" version) & remove screws as shown.

3.) Disconnect blower cable.  
4.) Close cover panels.  
5.) Separate the retaining frame (upper portion) from the hood body (lower portion).



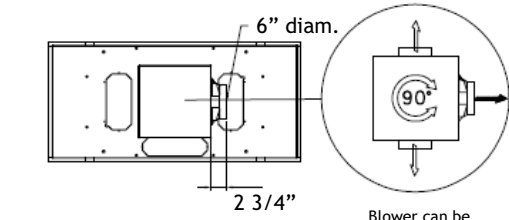
## 3 INSTALL RETAINING FRAME

1.) Remove mounting bolts from hood.  
2.) Place retaining frame against ceiling, mark locations of screw holes, and drill holes.  
NOTE: for concrete or masonry ceilings, use plastic anchors as necessary.  
3.) Secure retaining frame to ceiling with mounting bolts.

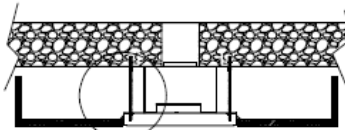
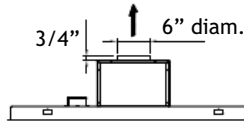


**4****CHOOSE BLOWER EXHAUST DIRECTION**

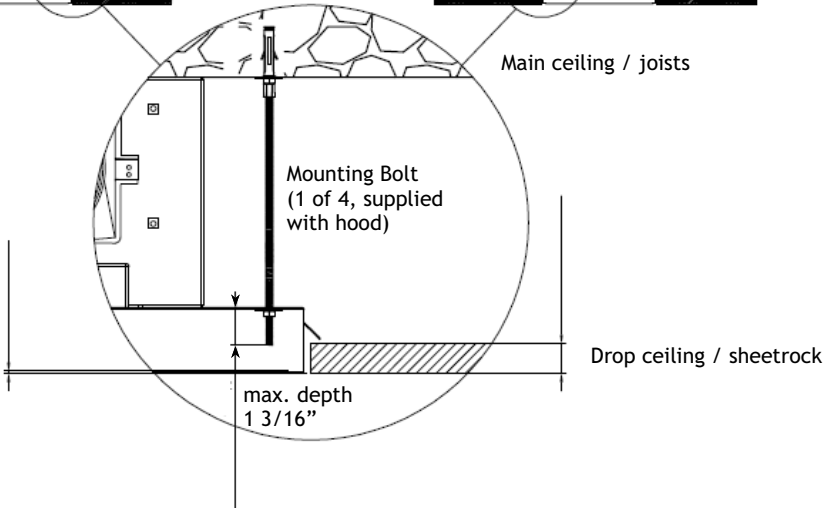
This range hood features a blower enclosure that can be rotated in 90-degree increments, in order to exhaust in different directions. If the factory default exhaust direction doesn't fit your installation needs - see sidebar on right for instructions on changing exhaust direction. Otherwise, proceed to Step 5.

**OPTION A: SIDE EXHAUST**

Blower can be installed with duct exhaust facing any direction in 90-degree increments

**OPTION B: TOP EXHAUST**

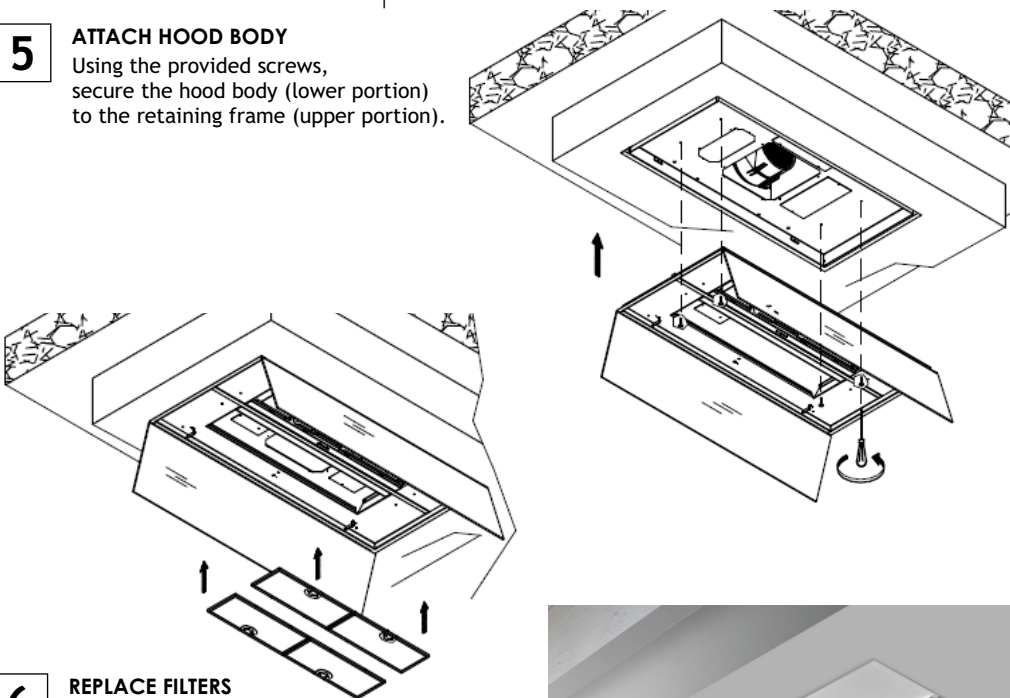
Main ceiling / joists



Drop ceiling / sheetrock

**5****ATTACH HOOD BODY**

Using the provided screws, secure the hood body (lower portion) to the retaining frame (upper portion).

**6****REPLACE FILTERS**

Replace the filter panels, and close the magnetic cover plates.

**VARIABLE BLOWER DIRECTION**

To change the direction of the exhaust:

- Remove the blower (4 screws).
- Remove and re-orient the enclosure.
- Remove and re-orient duct collar & block plate (opposite side).
- Re-install the blower.
- Re-install the enclosure.

