

# SAPPHIRE

Adapting to Your Environment

*Clear Ice Machines • Wine • Refrigerators • Beverage Centers • Drawers*



# Table of Contents

## 10 Clear Ice Machines



Indoor Individual Cube



Indoor Slab Cube



Indoor ADA Slab Cube



Outdoor Individual Cube

## 20 Wine



Indoor Single Zone



Indoor Single Zone



Indoor Dual Zone

## 28 Beverage Center / Glass Door Refrigerators



Indoor Beverage Center / Glass Door Refrigerator



ADA Beverage Center / Glass Door Refrigerator

## 34 Refrigerators



Indoor Refrigerator



Indoor Refrigerator



ADA Refrigerator



Outdoor Refrigerator

44

Refrigerator  
Drawers



Indoor  
Drawer



Outdoor  
Drawer

50

Accessories



54

Contact Info  
Warranty



# Welcome to the World of Sapphire

Discover the latest in innovation and design technology that was developed specifically for you and built to adapt to your environment. Sapphire's complete product line with detailed design, precise integration and unsurpassed performance sets a new standard in built-in undercounter ice-making and cooling products.

Sapphire is the newest addition to The Legacy Companies (TLC) portfolio of residential and commercial brands. TLC, a global leader based in Florida, is beyond equipped to tackle the challenges faced with integrated installation, flexibility and design which had not been resolved. Our development team consisted of five industry leaders from the undercounter ice machines and refrigeration product segment. Our observation was clear: The market doesn't need just "another" undercounter product. Most brands have treated the built-in undercounter segment as a filler to a line of appliances with limited innovation and thought. In many cases, the product is sourced from factories based on what they already produced.

The result: Sapphire. A product that not only exuded beauty and a refined look but also worked seamlessly into any environment and situation. Sapphire was created to be a leader in the industry – not just another brand extension, but a singular line that was entirely focused on what it takes to be the best in the undercounter space. Designing, engineering and manufacturing our product in our own factory!

With all the aspects of development and manufacturing under one roof, the Sapphire family of products works perfectly for the cook, the craft cocktail maker, entertainer and family for installation indoors, outdoors or ADA height applications.

The attention to design detail is evident from top to bottom, inside and out. From the beautiful signature Sapphire blue interior, seamless integration, door and handle design, shelves and bins, elegant lighting, Sapphire's precious elements are unmistakable.

For more stunning details, see each product page for further highlights.



# Challenges Addressed Through Design



## Space Management:

Wine bottles don't fit in the racks. OR Beverages and food packaging won't fit on the shelves.



## Life Changes:

I don't store as much wine anymore. OR I need more wine storage! Now I have to buy another unit.



## Accessibility:

It's difficult to access product that is lower and further back in the unit. It is so dark inside the unit and difficult to see.



## Doesn't Fit Quite Right:

The undercounter unit doesn't seem to fit right with my cabinets. Large gaps, toe kick sticking out into room, unit is protruding from the cabinets. Looked better in the showroom!



## Design:

Seems like undercounter products cut corners and compromise on design. They are not as elegant as their larger counterparts. They seem like an after-thought.

Read on to discover how Sapphire addresses these challenges by adapting to your environment.

# Space Management. Life Changes. Accessibility.

Accessorize your Sapphire. The ability to manage a variety of wine bottles and can sizes in addition to other storage needs is at the forefront of Sapphire design. Sapphire models have been engineered with cantilevered racking systems and interchangeable inserts, making it easy to adapt for your current food and beverage storage needs as your preferences evolve over time.

With multiple rack locations, the racking system allows you to choose from vinyl-clad wine racks, tempered glass shelves and chrome-plated wire shelves if out of the box configurations are not ideal for your current needs. Of course, as your food and beverage demands change, you can adapt your unit with the appropriate racks and insert accessories to fit your new needs.

All racks and shelves are full extension glide-out – making access to your food and beverage items easy and convenient, even if items are hidden in the back. The LED lighting illuminates through the shelves and racks, allowing you to clearly see what is inside.



**LARGE  
WINE RACK  
INSERT**

750 ml



**STANDARD  
WINE RACK  
INSERT**

750 ml



**TEMPERED  
GLASS SHELF  
INSERT**

**CHROME  
WIRED SHELF  
INSERT**

## EASY-TO-USE ELECTRONIC CONTROL SYSTEM

actively manages your ice-making and refrigeration systems. In addition to normal control functionality, you can easily manage lighting and hours of operation.

## ADAPTABLE CANTILEVERED RACKING SYSTEM

allows you to choose from multiple locations and interchangeable inserts.

## THE LED THEATER LIGHTING

illuminates through the shelves and/or racks, allowing you to clearly see what is inside.

## WITH MULTIPLE RACK LOCATIONS,

the racking system allows you to choose from vinyl-clad wine racks, tempered glass shelves or/and chrome-plated wire shelves if out of the box configurations are not ideal for your current needs.

## ADAPTABLE GRILLE DESIGN

allows meticulous alignment with adjacent cabinetry and the option to design a continuous cabinet toe kick.



## The Right Fit.

Sapphire models are sized and engineered to allow precise zero clearance for flush installation for unmatched integration into a standard 24" depth cabinet in any inset, frameless or overlay face-framed style cabinetry. This is accomplished by designing products to the same measurements as cabinet dimensions. Combine articulating hinges, adjustable toe kicks, panel-ready models and you have a product that will precisely and seamlessly install into your cabinets and design lines.

All Sapphire products are panel-ready for your  $\frac{3}{4}$ " custom door panel and handle. They include an adaptable grille design which allows meticulous alignment with adjacent cabinetry and the option to design a continuous cabinet toe kick. If a stainless-steel finish is a design requirement, these models will also precisely install within your cabinetry and toe kick, creating their own fashion statement.





# Installs like a Cabinet, Not an Appliance.

## Stainless Steel



---

## Panel Ready



# CLEAR ICE MACHINES

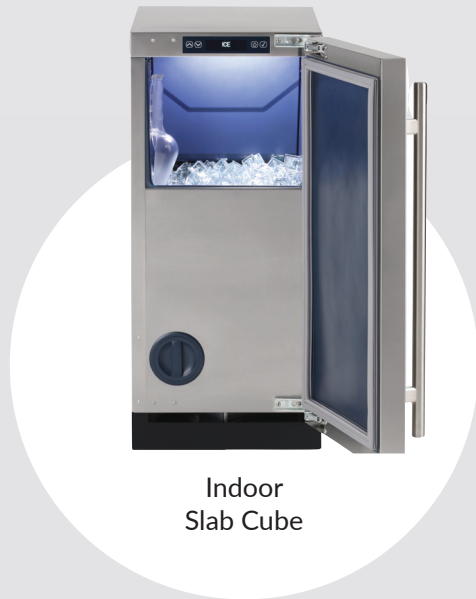
TLC's decades of commercial and restaurant-style ice machine innovations are now available for the residential marketplace. Sapphire offers two different ice types, producing up to 75 pounds of restaurant-quality clear ice per day, allowing you to choose which ice type fits your lifestyle.

Individual cubes are independently formed using a process to efficiently create each ice cube. This ice style is the largest type of ice and, due to its size, this cube typically melts slower than slab and other cube ice types. Individual cube-style ice machines are available on both standard-height indoor and outdoor models.

Slab ice cubes are formed using a cascading process to efficiently create sheets of clear slab ice. These ice machines produce abundant ice and are the most commonly used style of ice in restaurants today. Slab ice styles are available in both standard-height indoor and ADA models.



Indoor  
Individual Cube



Indoor  
Slab Cube



ADA  
Slab Cube



Outdoor  
Individual Cube

## Indoor | 15" Clear Ice Machine Individual Cube: Gravity Drain and Pump Models

- Produces up to 68 lbs of 1½" x 1½" x 1¼" clear individual cubes per day
- Bin stores up to 25 lbs of clear ice
- Integrated water filter system removes any impurities producing the clearest ice
- Clear ice scoop and storage hook included
- Signature SAPPHIRE Blue interior
- Fully wrapped stainless-steel exterior
- Articulating, concealed self-closing hinges with built-in door stop
- Multifunction capacitive touch electronic control
- Auto shut-off when ice bin is full
- Alert notifies when time to initiate easy cleaning process
- Quiet Mode Feature can be set to suspend ice-making production during specific times of the day
- Full LED theater lighting
- Unit ships right hinged with field-reversible doors
- Stainless model includes a 1" diameter stainless steel handle with faceted standoffs (26" length)
- Panel Ready model requires ¾" custom door panel and handle
- Precise Zero Clearance Design allows for unmatched integration into any built-in setting
- 4 independent adaptable leveling legs
- Black steel grille accepts an integrated toe kick
- Adaptable grille design allows alignment with adjacent cabinetry and toe kick/plinth
- Installation requires a customer-supplied water line and includes a 10 ft factory-installed drain line
- Gravity drain and factory-installed pump models available



Stainless



Panel Ready

### Model Details

Model	Pump	Finish	Description	Shipping Weight
SIIM15-GD-SS	No	Stainless Steel	15" Indoor Clear Ice Machine Individual Cube	118 lbs
SIIM15-GD-PR	No	Panel Ready	15" Indoor Clear Ice Machine Individual Cube	113 lbs
SIIM15-P-SS	Yes	Stainless Steel	15" Indoor Clear Ice Machine Individual Cube	120 lbs
SIIM15-P-PR	Yes	Panel Ready	15" Indoor Clear Ice Machine Individual Cube	114 lbs

Refer to page 52 for accessories

Dimensions/Weight	Detail
Product Depth	23 ¾"
Product Height	34" - 35"
Product Width	14 7/8"
Product Weight	100 lbs
Shipping Dimensions	17 ¾" x 27 ½" x 36 ¾"
Shipping Weight	120 lbs

Integration/Panel Information*	Detail
Panel Height	30" - 31"
Panel Thickness	¾" - 20 mm
Panel Width	14 5/8"

\*Refer to manual for all panel dimensions and installation instructions

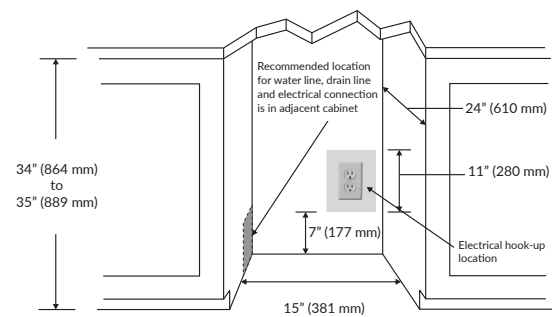
Model	Details
Control Type	Electronic Capacitive Touch with OLED Screen
Indoor or Outdoor	Indoor
Built-in Installation	Inset, Frameless / Overlay and Framed Cabinet Styles
Ice Size	1½" x 1½" x 1¼"
Ice Weight (g) per unit	22 g / 0.0485 lbs
Ice Quantity per cycle	24 Individual Cubes (1¼ lbs)
Ice Production Capacity	68 lbs
Ice Storage Capacity	25 lbs
Refrigerant Type	R290

Plumbing Water	Details
Water Inlet Adapter	¼" OD Compression Fitting*
Water Pressure Operating Range (psi)	20 psi – 80 psi
Integrated Water Filter System	Yes
Water Usage	16½ gallons per 100 lbs of ice
Factory Installed Drain Line	10 feet
Drain Required	Yes (See manual for details)

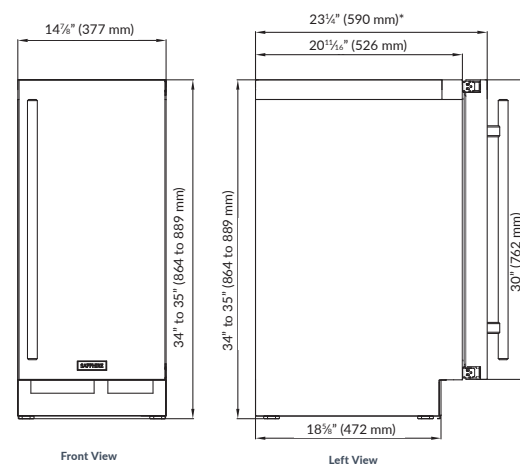
\*Water line not included

Electrical	Details
Electrical Requirements	115 V / 60 Hz
Volt Range	104 V ~ 127 V
Maximum Amp Fuse	15 amp
Amps Running	2.4 amps

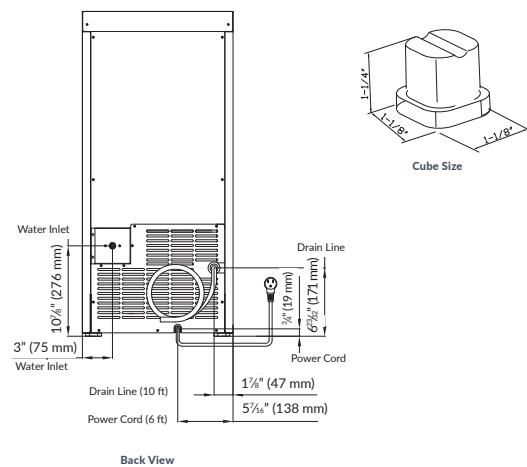
Approvals - Certifications	Details
Energy Star	Yes
ETL Sanitation	Yes
UL Commercial	Yes



NOTE: For Gravity drain models, the drain hole cannot exceed 7 inches above the floor. For Pump models, the drain hole should be no lower than 7 inches and no higher than 4 feet above the floor.



\*Dimensions are the same for Panel Ready unit when ¾" panel applied



## Indoor | 15" Clear Ice Machine Slab Cube: Gravity Drain and Pump Models

- Produces up to 75 lbs of 7/8" x 7/8" x 7/8" clear ice cubes per day
- Bin stores up to 25 lbs of clear ice
- Integrated water filter system removes any impurities producing the clearest ice
- Clear ice scoop and storage hook included
- Signature SAPPHIRE Blue interior
- Fully wrapped stainless-steel exterior
- Articulating, concealed self-closing hinges with built-in door stop
- Multifunction capacitive touch electronic control
- Auto shut-off when ice bin is full
- Alert notifies when time to initiate easy cleaning process
- Quiet Mode Feature can be set to suspend ice-making production during specific times of the day
- Full LED theater lighting
- Unit ships right hinged with field-reversible doors
- Stainless model includes a 1" diameter stainless steel handle with faceted standoffs (26" length)
- Panel Ready model requires 3/4" custom door panel and handle
- Precise Zero Clearance Design allows for unmatched integration into any built-in setting
- 4 independent adaptable leveling legs
- Black steel grille accepts an integrated toe kick
- Adaptable grille design allows alignment with adjacent cabinetry and toe kick/plinth
- Installation requires a customer-supplied water line and includes a 10 ft factory-installed drain line
- Gravity drain and factory-installed pump models available



Stainless



Panel Ready

### Model Details

Model	Pump	Finish	Description	Shipping Weight
SSIM15-GD-SS	No	Stainless Steel	15" Indoor Clear Ice Machine Slab Cube	115 lbs
SSIM15-GD-PR	No	Panel Ready	15" Indoor Clear Ice Machine Slab Cube	108 lbs
SSIM15-P-SS	Yes	Stainless Steel	15" Indoor Clear Ice Machine Slab Cube	115 lbs
SSIM15-P-PR	Yes	Panel Ready	15" Indoor Clear Ice Machine Slab Cube	111 lbs

Refer to page 52 for accessories

Dimensions/Weight	Detail
Product Depth	23 3/4"
Product Height	34" - 35"
Product Width	14 7/8"
Product Weight	96 lbs
Shipping Dimensions	17 3/4" x 27 1/2" x 36 3/4"
Shipping Weight	115 lbs

Integration/Panel Information*	Detail
Panel Height	30" - 31"
Panel Thickness	3/4" - 20 mm
Panel Width	14 5/8"

\*Refer to manual for all panel dimensions and installation instructions

# SAPPHIRE

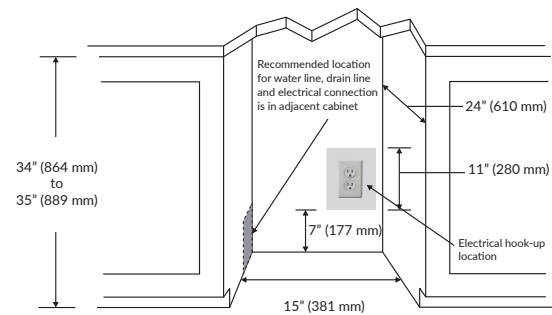
Model	Details
Control Type	Electronic Capacitive Touch with OLED Screen
Indoor or Outdoor	Indoor
Built-in Installation	Inset, Frameless / Overlay and Framed Cabinet Styles
Ice Size	7/8" x 7/8" x 7/8"
Ice Weight (g) per unit	11 g / 0.024 lbs
Ice Quantity per cycle	40 per Slab (1 lb)
Ice Production Capacity	75 lbs
Ice Storage Capacity	25 lbs
Refrigerant Type	R290

Plumbing Water	Details
Water Inlet Adapter	3/4" OD Compression Fitting*
Water Pressure Operating Range (psi)	20 psi – 80 psi
Integrated Water Filter System	Yes
Water Usage	12 1/2 gallons per 100 lbs of ice
Factory Installed Drain Line	10 feet
Drain Required	Yes (See manual for details)

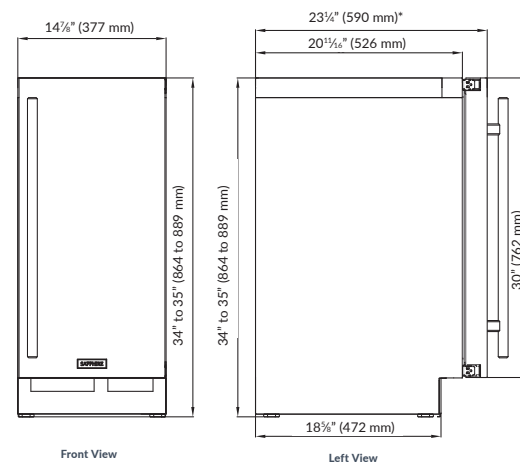
\*Water line not included

Electrical	Details
Electrical Requirements	115 V / 60 Hz
Volt Range	104 V ~ 127 V
Maximum Amp Fuse	15 amp
Amps Running	1.9 amps

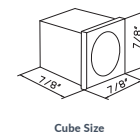
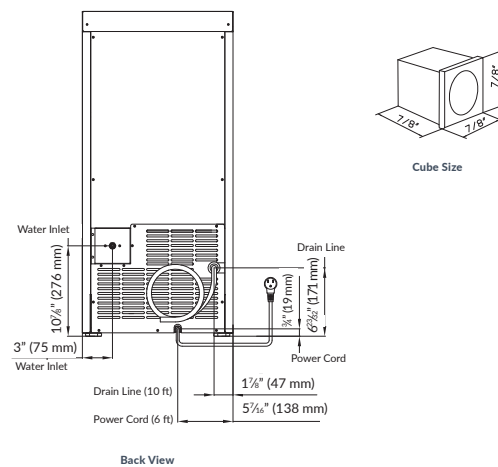
Approvals - Certifications	Details
Energy Star	Yes
ETL Sanitation	Yes
UL Commercial	Yes



NOTE: For Gravity drain models, the drain hole cannot exceed 7 inches above the floor. For Pump models, the drain hole should be no lower than 7 inches and no higher than 4 feet above the floor.



\*Dimensions are the same for Panel Ready unit when 3/4\" panel applied



## ADA | 15" Clear Ice Machine Slab Cube: Gravity Drain and Pump Models

- ADA height compliant, installs under 34" countertop
- Produces up to 75 lbs of  $\frac{7}{8}$ " x  $\frac{7}{8}$ " x  $\frac{7}{8}$ " clear ice cubes per day
- Bin stores up to 25 lbs of clear ice
- Clear ice scoop and storage hook included
- Signature SAPPHIRE Blue interior
- Fully wrapped stainless-steel exterior
- Articulating, concealed self-closing hinges with built-in door stop
- Multifunction capacitive touch electronic control
- Auto shut-off when ice bin is full
- Alert notifies when time to initiate easy cleaning process
- Quiet Mode Feature can be set to suspend ice-making production during specific times of the day
- Full LED theater lighting
- Unit ships right hinged with field-reversible doors
- Stainless model includes a 1" diameter stainless steel handle with faceted standoffs (24" length)
- Panel Ready model requires  $\frac{3}{4}$ " custom door panel and handle
- Precise Zero Clearance Design allows for unmatched integration into any built-in setting
- 4 independent adaptable leveling legs
- Black steel grille accepts an integrated toe kick
- Adaptable grille design allows alignment with adjacent cabinetry and toe kick/plinth
- Installation requires a customer-supplied water line and includes a 10 ft factory-installed drain line
- Gravity drain and factory-installed pump models available



Stainless



Panel Ready

### Model Details

Model	Pump	Finish	Description	Shipping Weight
SSIM15-GD-SSADA	No	Stainless Steel	15" Indoor Clear Ice Slab Cube	108 lbs
SSIM15-GD-PRADA	No	Panel Ready	15" Indoor Clear Ice Slab Cube	103 lbs
SSIM15-P-SSADA	Yes	Stainless Steel	15" Indoor Clear Ice Slab Cube	110 lbs
SSIM15-P-PRADA	Yes	Panel Ready	15" Indoor Clear Ice Slab Cube	105 lbs

Refer to page 52 for accessories

Dimensions/Weight	Detail
Product Depth	23 $\frac{3}{4}$ "
Product Height	32" - 33"
Product Width	14 $\frac{7}{8}$ "
Product Weight	91 lbs
Shipping Dimensions	17 $\frac{3}{4}$ " x 27 $\frac{1}{2}$ " x 36 $\frac{3}{4}$ "
Shipping Weight	110 lbs

Integration/Panel Information*	Detail
Panel Height	28" - 29"
Panel Thickness	$\frac{3}{4}$ " - 20 mm
Panel Width	14 $\frac{5}{8}$ "

\*Refer to manual for all panel dimensions and installation instructions



# SAPPHIRE

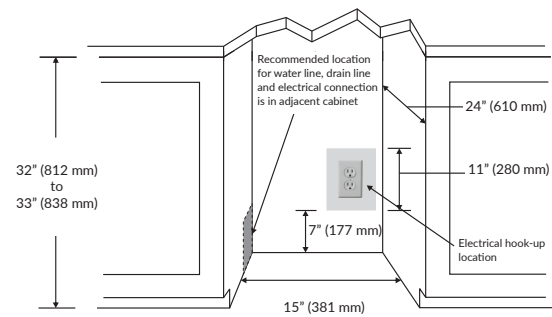
Features	Details
Control Type	Electronic Capacitive Touch with OLED Screen
Indoor or Outdoor	Indoor
Built-in Installation	Inset, Frameless / Overlay and Framed Cabinet Styles
Ice Size	$\frac{7}{8}$ " x $\frac{7}{8}$ " x $\frac{7}{8}$ "
Ice Weight (g) per unit	11 g / 0.024 lbs
Ice Quantity per cycle	40 per Slab (1 lb)
Ice Production Capacity	75 lbs
Ice Storage Capacity	25 lbs
Refrigerant Type	R290

Plumbing Water	Details
Water Inlet Adapter	$\frac{1}{4}$ " OD Compression Fitting*
Water Pressure Operating Range (psi)	20 psi – 80 psi
Water Usage	12 $\frac{1}{2}$ gallons per 100 lbs of ice
Factory Installed Drain Line	10 feet
Drain Required	Yes (See manual for details)

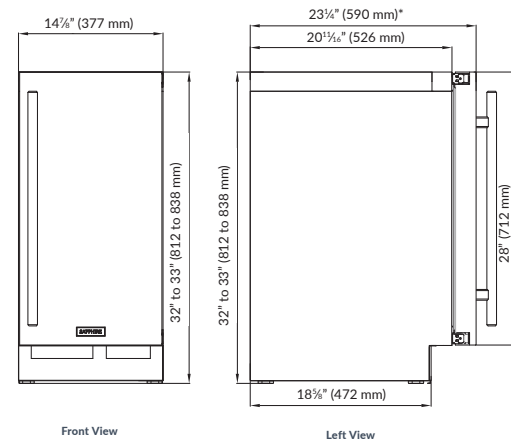
\*Water line not included

Electrical	Details
Electrical Requirements	115 V / 60 Hz
Volt Range	104 V ~ 127 V
Maximum Amp Fuse	15 amp
Amps Running	1.9 amps

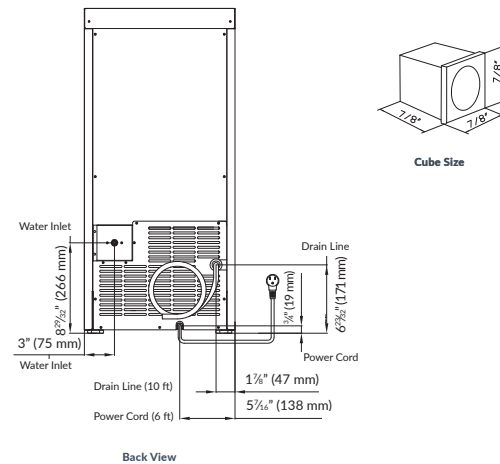
Approvals - Certifications	Details
ADA Height Compliant	Yes
Energy Star	Yes
ETL Sanitation	Yes
UL Commercial	Yes



NOTE: For Gravity drain models, the drain hole cannot exceed 7 inches above the floor. For Pump models, the drain hole should be no lower than 7 inches and no higher than 4 feet above the floor.



\*Dimensions are the same for Panel Ready unit when  $\frac{3}{4}$ " panel applied



## Outdoor | 15" Clear Ice Machine Individual Cube: Gravity Drain and Pump Models

- Produces up to 63 lbs of 1½" x 1½" x 1¼" clear individual cubes per day
- Bin stores up to 25 lbs of clear ice
- Clear ice scoop and storage hook included
- Signature SAPPHIRE Blue interior
- Fully wrapped stainless-steel exterior
- Articulating, concealed self-closing hinges with built-in door stop
- Multifunction capacitive touch electronic control
- Auto shut-off when ice bin is full
- Alert notifies when time to initiate easy cleaning process
- Quiet Mode Feature can be set to suspend ice-making production during specific times of the day
- Full LED theater lighting
- Unit ships right hinged with field-reversible doors
- 1" diameter stainless steel handle with faceted standoffs (26" length)
- Precise Zero Clearance Design allows for unmatched integration into any built-in setting
- 4 independent adaptable leveling legs
- Fixed louvered stainless steel grille
- Installation requires a customer-supplied water line and includes a 10 ft factory-installed drain line
- Gravity drain and factory-installed pump models available



Stainless

### Model Details

Model	Pump	Finish	Description	Shipping Weight
SIIM15-GD-OD	No	Stainless Steel	15" Outdoor Clear Ice Machine Individual Cube	115 lbs
SIIM15-P-OD	Yes	Stainless Steel	15" Outdoor Clear Ice Machine Individual Cube	117 lbs

Refer to page 52 for accessories

Dimensions/Weight	Detail
Product Depth	23 ¾"
Product Height	34" - 35"
Product Width	14 ⅞"
Product Weight	98 lbs
Shipping Dimensions	17 ¾" x 27 ½" x 36 ¾"
Shipping Weight	117 lbs



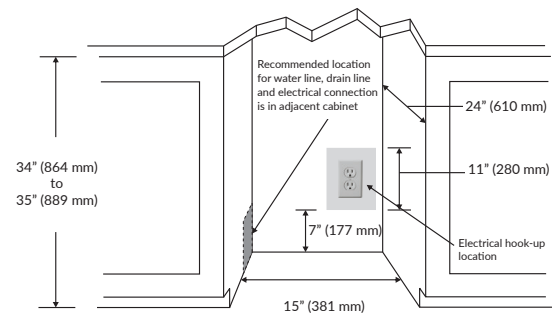
Model	Details
Control Type	Electronic Capacitive Touch with OLED Screen
Indoor or Outdoor	Outdoor
Built-in Installation	Inset, Frameless / Overlay and Framed Cabinet Styles
Ice Size	1½" x 1½" x 1¼"
Ice Weight (g) per unit	22 g / 0.0485 lbs
Ice Quantity per cycle	24 Individual Cubes (1¼ lbs)
Ice Production Capacity	63 lbs
Ice Storage Capacity	25 lbs
Refrigerant Type	R290

Plumbing Water	Details
Water Inlet Adapter	¼" OD Compression Fitting*
Water Pressure Operating Range (psi)	20 psi – 80 psi
Water Usage	16 ½ gallons per 100 lbs of ice
Factory Installed Drain Line	10 feet
Drain Required	Yes (See manual for details)

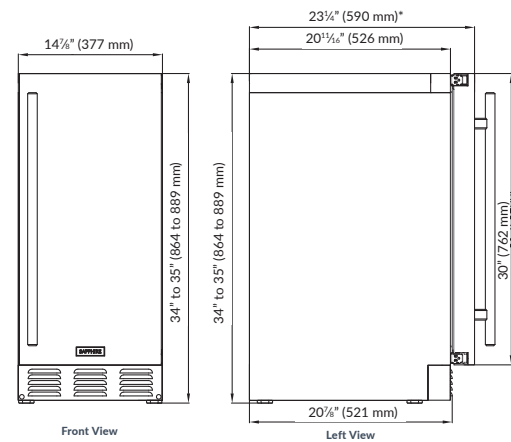
\*Water line not included

Electrical	Details
Electrical Requirements	115 V / 60 Hz
Volt Range	104 V ~ 127 V
Maximum Amp Fuse	15 amp
Amps Running	2.4 amps

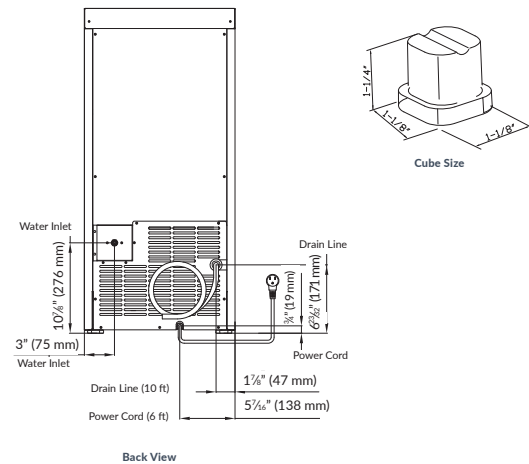
Approvals – Certifications	Details
ETL Sanitation	Yes
UL Residential / Commercial	Yes



NOTE: For Gravity drain models, the drain hole cannot exceed 7 inches above the floor. For Pump models, the drain hole should be no lower than 7 inches and no higher than 4 feet above the floor.



\*Dimensions are the same for Panel Ready unit with 23¾" panel applied



Help safeguard your red, white and sparkling wines while storing up to 51 standard 750 ml bottles in the one of the many model choices in the Sapphire line.

All facets were considered while designing and engineering this product. As with any wine, not all 750 ml bottles are shaped identically and often have different neck, shoulder and punt sizes. The adaptable cantilevered racking systems and wine rack inserts allow for flexibility in accommodating most unique-sized bottles in your wine collection. Virtually vibration-free operation alleviates any unwanted cavitation and the Argon-filled UV-coated glass front further protects your wine collection from light damage. Finally, the temperature control system maintains your wine for proper storage, maturation and integrity and preserves a wine that is ready to serve and enjoy with your family and friends.

Cheers!



WINE



Indoor  
Single Zone



Indoor  
Single Zone



Indoor  
Dual Zone

## Indoor | 15" Single Zone Wine

- Preserves up to 23 (750 ml) wine bottles
- Low e, Argon gas-filled triple-paned tempered glass door with UV coating
- Signature SAPPHIRE Blue interior
- Full wrapped stainless-steel exterior
- Articulating, concealed self-closing hinges with built-in door stop
- Multifunction capacitive touch electronic control
- Temperature settings range from 34°F to 65°F; allows for ideal preservation of any collection
- Fan-assisted cooling system allows for even temperatures, quicker cooldown times, and added efficiency
- Full-length flush LED theater lighting can be set to display your collection for 4 or 6 hours or schedule Nightlight feature
- Adaptable Racking System includes 5 stainless front, full-extension racks with gray vinyl-clad wine rack inserts and 1 fixed bottom display wine rack insert. Optional shelf inserts include tempered glass shelf inserts making it easy to adapt to food and beverage storage needs
- Unit ships right hinged with field-reversible doors
- Stainless model includes a 1" diameter stainless steel handle with faceted standoffs (26" length)
- Panel Ready model requires ¾" custom door panel and handle
- Precise Zero Clearance Design allows for unmatched integration into any built-in setting
- 4 independent adaptable leveling legs
- Adaptable grille accepts an integrated toe kick and allows front/back and up/down alignment with adjacent cabinetry and toe kick/plinth
- Automatic defrost



Stainless



Panel Ready

### Model Details

Model	Lock	Finish	Description	Shipping Weight
SW15-SZ-SS	No	Stainless Steel Frame	15" Single Zone Wine	143 lbs
SW15-SZ-PR	No	Panel Ready Frame	15" Single Zone Wine	137 lbs

Refer to page 52 for accessories

Dimensions/Weight	Detail
Product Depth	23 ¼"
Product Height	34" - 35"
Product Width	14 ⅞"
Product Weight	120 lbs
Shipping Dimensions	17 ¾" x 27 ½" x 36 ¾"
Shipping Weight	143 lbs
Bottle Capacity	Up to 23 (750 ml) standard bottles

Integration/Panel Information*	Detail
Panel Height	30" - 31"
Panel Thickness	¾" - 20 mm
Panel Width	14 ⅞"

\*Refer to manual for all panel dimensions and installation instructions

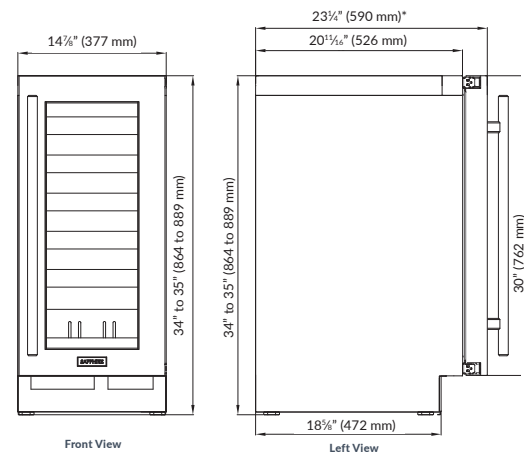
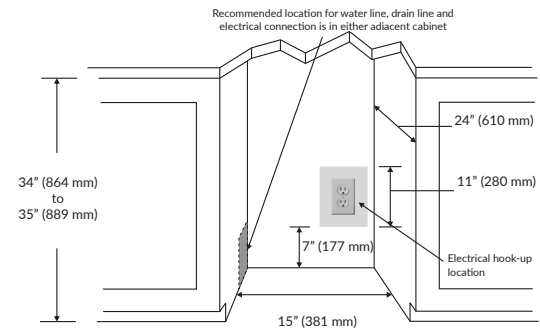


# SAPPHIRE

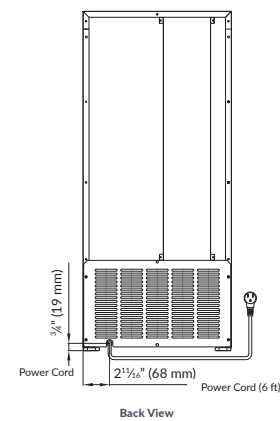
Model	Details
Control Type	Electronic Capacitive Touch with OLED Screen
Indoor or Outdoor	Indoor
Built-in Installation	Inset, Frameless / Overlay and Framed Cabinet Styles
Refrigerant Type	R600

Electrical	Details
Electrical Requirements	115 V / 60 Hz
Volt Range	104 V ~ 127 V
Maximum Amp Fuse	15 amp
Amps Running	0.6 amps

Approvals - Certifications	Details
ETL Residential / Commercial	Yes
ETL Sanitation	Yes
Star K	Yes



\*Dimensions are the same for Panel Ready unit when 3/4" panel applied



## Indoor | 24" Single Zone Wine

- Preserves up to 51 (750 ml) wine bottles
- Low e, Argon gas-filled triple-paned tempered glass door with UV coating
- Signature SAPPHIRE Blue interior
- Full wrapped stainless-steel exterior
- Articulating, concealed self-closing hinges with built-in door stop
- Multifunction capacitive touch electronic control
- Temperature settings range from 34°F to 65°F; allows for ideal preservation of any collection
- Fan-assisted cooling system allows for even temperatures, quicker cooldown times, and added efficiency
- Full-length flush LED theater lighting can be set to display your collection for 4 or 6 hours or schedule Nightlight feature
- Adaptable Racking System includes 7 stainless front, full-extension racks with 6 gray vinyl-clad wine rack inserts and 1 bottom half wine rack insert. Optional shelf inserts include tempered glass shelf inserts and/or chrome-plated wire shelf inserts making it easy to adapt to food and beverage storage needs
- Unit ships right hinged with field-reversible doors
- Stainless model includes a 1" diameter stainless steel handle with faceted standoffs (26" length)
- Panel Ready model requires ¾" custom door panel and handle
- Precise Zero Clearance Design allows for unmatched integration into any built-in setting
- 4 independent adaptable leveling legs
- Adaptable grille accepts an integrated toe kick and allows front/back and up/down alignment with adjacent cabinetry and toe kick/plinth
- Automatic defrost
- Lock model available



Stainless



Panel Ready



Stainless with Lock

### Model Details

Model	Lock	Finish	Description	Shipping Weight
SW24-SZ-SS	No	Stainless Steel Frame	24" Single Zone Wine	195 lbs
SW24-SZ-SS-L	Yes	Stainless Steel Frame	24" Single Zone Wine	195 lbs
SW24-SZ-SS-PR	No	Panel Ready Frame	24" Single Zone Wine	188 lbs

Refer to page 53 for accessories

Dimensions/Weight	Detail
Product Depth	23 ¾"
Product Height	34" - 35"
Product Width	23 ¾"
Product Weight	165 lbs
Shipping Dimensions	26 ¾" x 27 ½" x 36 ¾"
Shipping Weight	195 lbs
Bottle Capacity	Up to 51 (750 ml) standard bottles

Integration/Panel Information*	Detail
Panel Height	30" - 31"
Panel Thickness	¾" - 20 mm
Panel Width	23 ¾"

\*Refer to manual for all panel dimensions and installation instructions



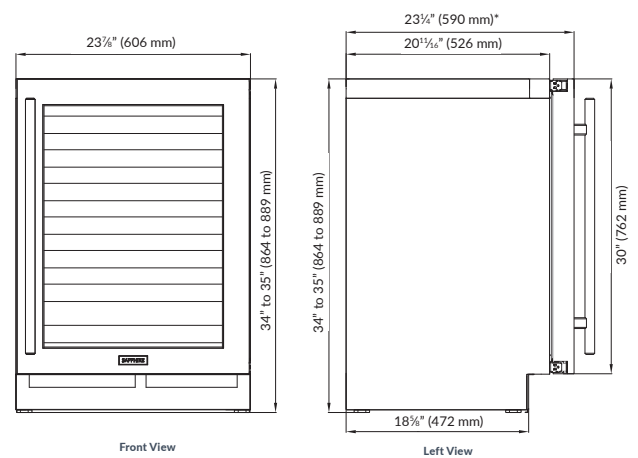
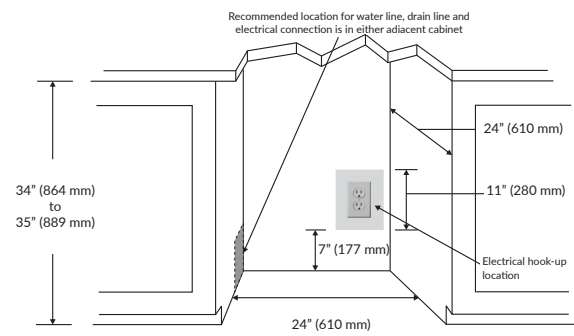


# SAPPHIRE

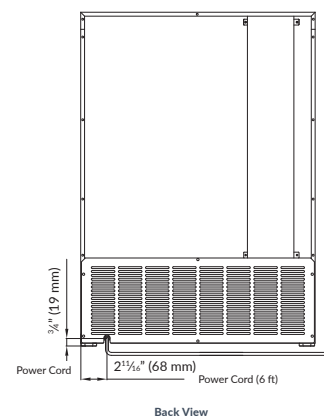
Model	Details
Control Type	Electronic Capacitative Touch with OLED Screen
Indoor or Outdoor	Indoor
Built-in Installation	Inset, Frameless / Overlay and Framed Cabinet Styles
Refrigerant Type	R600

Electrical	Details
Electrical Requirements	115 V / 60 Hz
Volt Range	104 V ~ 127 V
Maximum Amp Fuse	15 amp
Amps Running	0.7 amps

Approvals - Certifications	Details
ETL Residential / Commercial	Yes
ETL Sanitation	Yes
Star K	Yes



\*Dimensions are the same for Panel Ready unit with 23 3/8" panel applied



## Indoor | 24" Dual Zone Wine

- Preserves up to 43 (750 ml) wine bottles
- 2 independently controlled dual zones
- Low e, Argon gas-filled triple-paned tempered glass door with UV coating
- Signature SAPPHIRE Blue interior
- Full wrapped stainless-steel exterior
- Articulating, concealed self-closing hinges with built-in door stop
- Multifunction capacitive touch electronic control
- Each zone's temperature settings range from 34°F to 65°F; allows for ideal preservation of any collection
- Fan-assisted cooling system allows for even temperatures, quicker cooldown times, and added efficiency
- Flush LED theater lighting can be set to display your collection for 4 or 6 hours or schedule Nightlight feature
- Adaptable Racking System includes 6 stainless front, full-extension racks with 5 gray vinyl-clad wine rack inserts and 1 bottom half wine rack insert. Optional shelf inserts include tempered glass shelf inserts and/or chrome-plated wire shelf inserts making it easy to adapt to food and beverage storage needs
- Unit ships right hinged with field-reversible doors
- Stainless model includes a 1" diameter stainless steel handle with faceted standoffs (26" length)
- Panel Ready model requires ¾" custom door panel and handle
- Precise Zero Clearance Design allows for unmatched integration into any built-in setting
- 4 independent adaptable leveling legs
- Adaptable grille accepts an integrated toe kick and allows front/back and up/down alignment with adjacent cabinetry and toe kick/plinth
- Automatic defrost
- Lock model available



Stainless



Panel Ready



Stainless with Lock

### Model Details

Model	Lock	Finish	Description	Shipping Weight
SW24-DZ-SS	No	Stainless Steel Frame	24" Dual Zone Wine	194 lbs
SW24-DZ-SS-L	Yes	Stainless Steel Frame	24" Dual Zone Wine	194 lbs
SW24-DZ-SS-PR	No	Panel Ready Frame	24" Dual Zone Wine	187 lbs

Refer to page 53 for accessories

Dimensions/Weight	Detail
Product Depth	23 ¼"
Product Height	34" - 35"
Product Width	23 7/8"
Product Weight	164 lbs
Shipping Dimensions	26 ¾" x 27 ½" x 36 ¾"
Shipping Weight	194 lbs
Bottle Capacity	Up to 43 (750 ml) standard bottles

Integration/Panel Information*	Detail
Panel Height	30" - 31"
Panel Thickness	¾" - 20 mm
Panel Width	23 7/8"

\*Refer to manual for all panel dimensions and installation instructions

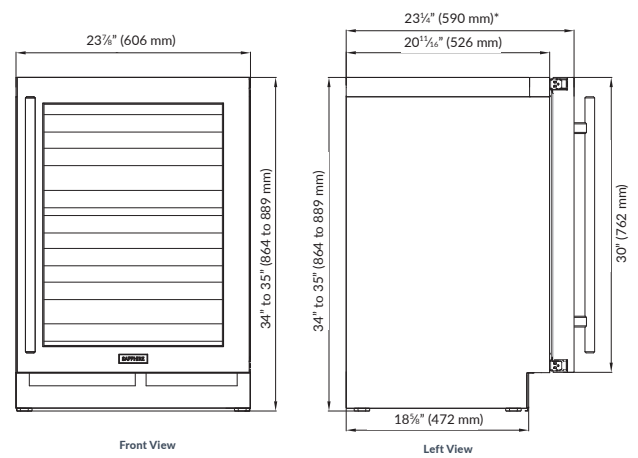
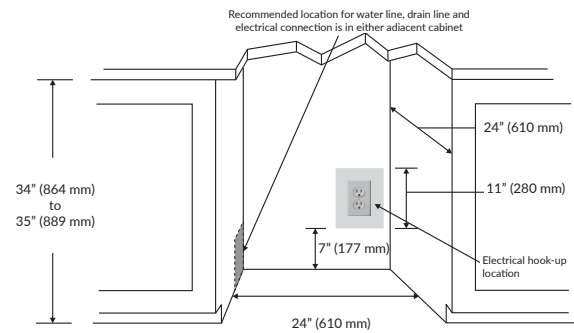


# SAPPHIRE

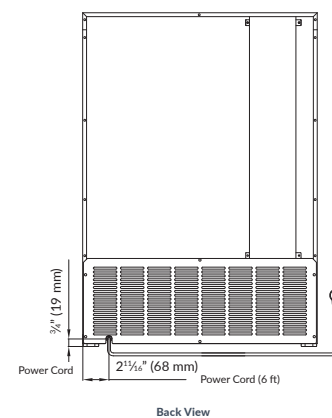
Model	Details
Control Type	Electronic Capacitive Touch with OLED Screen
Indoor or Outdoor	Indoor
Built-in Installation	Inset, Frameless / Overlay and Framed Cabinet Styles
Refrigerant Type	R600

Electrical	Details
Electrical Requirements	115 V / 60 Hz
Volt Range	104 V ~ 127 V
Maximum Amp Fuse	15 amp
Amps Running	0.7 amps

Approvals - Certifications	Details
ETL Residential / Commercial	Yes
ETL Sanitation	Yes
Star K	Yes



\*Dimensions are the same for Panel Ready unit when 3/4" panel applied



# BEVERAGE CENTER / GLASS DOOR REFRIGERATORS

The Sapphire Beverage Center / Glass Door Refrigerator products provide convenience, flexibility and value anywhere in your home. These units are beautifully designed with the signature Sapphire Blue interior and illuminate with full LED theater lighting. Sapphire models have been engineered with a cantilevered racking system and interchangeable shelf and rack inserts, making it easy to accommodate your current food and beverage storage needs and adapt as your preferences evolve over time – all in the same unit.

If ADA height is needed in your home or a commercial installation, Sapphire offers this specialty size in a glass door refrigerator.

Place a Sapphire Beverage Center next to a Clear Ice Machine and you are ready to savor the moments with your friends and family, along with a cold beverage.





Indoor  
Beverage Center /  
Glass Door Refrigerator



ADA  
Beverage Center /  
Glass Door Refrigerator

# Indoor | 24" Beverage Center / Glass Door Refrigerator

- Signature SAPPHIRE Blue interior
- Full wrapped stainless-steel exterior
- Articulating, concealed self-closing hinges with built-in door stop
- Low e, Argon gas-filled triple-paned tempered glass door with UV coating
- Multifunction capacitive touch electronic control
- Temperature range: 34°F to 65°F
- Fan-assisted cooling system allows for even temperatures, quicker cooldown times, and added efficiency
- Full-length flush LED theater lighting can be set to display your collection for 4 or 6 hours or schedule Nightlight feature
- Adaptable Racking System includes 3 stainless front, full-extension racks with 2 tempered glass shelf inserts and 1 gray vinyl-clad wine rack insert. Optional shelf inserts include gray vinyl-clad wine rack inserts and/or chrome-plated wire shelf inserts making it easy to adapt to food and beverage storage needs
- Clear bottom crisper drawer
- Unit ships right hinged with field-reversible doors
- Stainless model includes 1" diameter stainless steel handle with faceted standoffs (26" length)
- Panel Ready model requires 3/4" custom door panel and handle
- Precise Zero Clearance Design allows for unmatched integration into any built-in setting
- 4 independent adaptable leveling legs
- Adaptable grille accepts an integrated toe kick and allows front/back and up/down alignment with adjacent cabinetry and toe kick/plinth
- Automatic defrost
- Lock model available



Stainless



Panel Ready



Stainless with Lock

## Model Details

Model	Lock	Finish	Description	Shipping Weight
SBCR24-SS	No	Stainless Steel	24" Bev Center / Glass Door Refrigerator	180 lbs
SBCR24-SS-L	Yes	Stainless Steel	24" Bev Center / Glass Door Refrigerator	178 lbs
SBCR24-PR	No	Panel Ready	24" Bev Center / Glass Door Refrigerator	172 lbs

Refer to page 53 for accessories

Dimensions/Weight	Detail
Product Depth	23 ¼"
Product Height	34" - 35"
Product Width	23 7/8"
Product Weight	149 lbs
Product Volume	5.1 cu ft
Shipping Dimensions	26 ¾" x 27 ½" x 36 ¾"
Shipping Weight	184 lbs

Integration/Panel Information*	Detail
Panel Height	30" - 31"
Panel Thickness	¼" - 20 mm
Panel Width	23 5/8"

\*Refer to manual for all panel dimensions and installation instructions

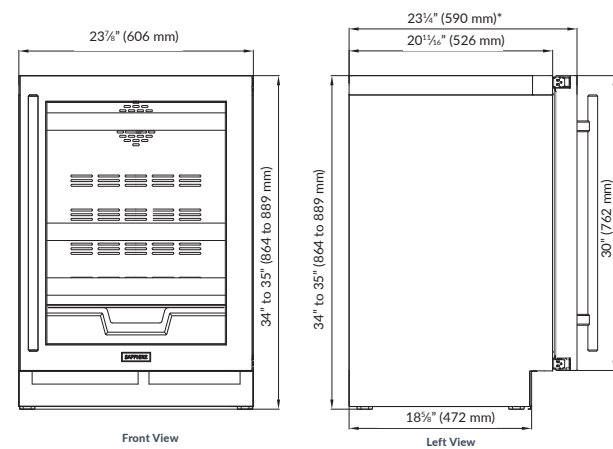
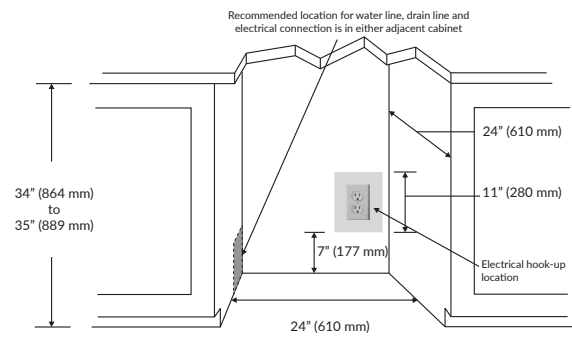


# SAPPHIRE

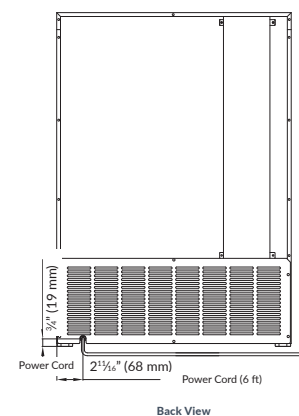
Model	Details
Control Type	Electronic Capacitive Touch with OLED Screen
Indoor or Outdoor	Indoor
Built-in Installation	Inset, Frameless / Overlay and Framed Cabinet Styles
Refrigerant Type	R600

Electrical	Details
Electrical Requirements	115 V / 60 Hz
Volt Range	104 V ~ 127 V
Maximum Amp Fuse	15 amp
Amps Running	0.7 amps

Approvals - Certifications	Details
ETL Residential / Commercial	Yes
ETL Sanitation	Yes
Star K	Yes



\*Dimensions are the same for Panel Ready unit when 3/4" panel applied



# ADA | 24" Beverage Center / Glass Door Refrigerator

- ADA height compliant, installs under 34" countertop
- Signature SAPPHIRE Blue interior
- Full wrapped stainless-steel exterior
- Articulating, concealed self-closing hinges with built-in door stop
- Low e, Argon gas-filled triple-paned tempered glass door with UV coating
- Multifunction capacitive touch electronic control
- Temperature range: 34°F to 65°F
- Fan-assisted cooling system allows for even temperatures, quicker cooldown times, and added efficiency
- Full-length flush LED theater lighting can be set to display your collection for 4 or 6 hours or schedule Nightlight feature
- Adaptable Racking System includes 3 stainless front, full-extension racks with 3 chrome-plated wire shelves and 1 gray vinyl-clad wine rack insert. Optional shelf inserts include gray vinyl-clad wine rack inserts and/or tempered glass shelf inserts making it easy to adapt to food and beverage storage needs
- Clear bottom crisper drawer
- Volume of 4.7 cubic feet
- Unit ships right hinged with field-reversible doors
- Stainless model includes 1" diameter stainless steel handle with faceted standoffs (24" length)
- Panel Ready model requires 3/4" custom door panel and handle
- Precise Zero Clearance Design allows for unmatched integration into any built-in setting
- 4 independent adaptable leveling legs
- Adaptable grille accepts an integrated toe kick and allows front/back and up/down alignment with adjacent cabinetry and toe kick/plinth
- Automatic defrost
- Lock standard



Stainless with lock



Panel Ready

## Model Details

Model	Lock	Finish	Description	Shipping Weight
SBCR24-SSADA	Standard	Stainless Steel	24" Bev Center / Glass Door Refrigerator	169 lbs
SBCR24-PRADA	No	Panel Ready	24" Bev Center / Glass Door Refrigerator	162 lbs

Refer to page 53 for accessories

Dimensions/Weight	Detail
Product Depth	23 ¼"
Product Height	32" - 33"
Product Width	23 ⅞"
Product Weight	140 lbs
Product Volume	4.7 cu ft
Shipping Dimensions	26 ¾" x 27 ½" x 36 ¾"
Shipping Weight	169 lbs

Integration/Panel Information*	Detail
Panel Height	28" - 29"
Panel Thickness	¾" - 20 mm
Panel Width	23 ⅝"

\*Refer to manual for all panel dimensions and installation instructions



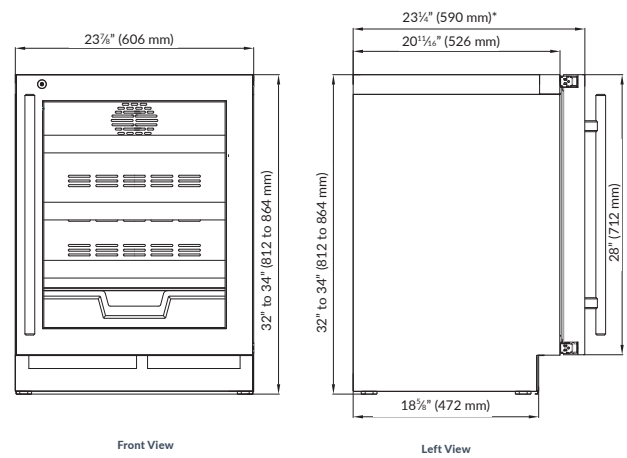
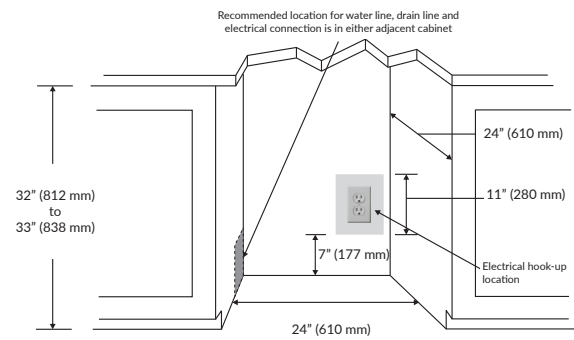


# SAPPHIRE

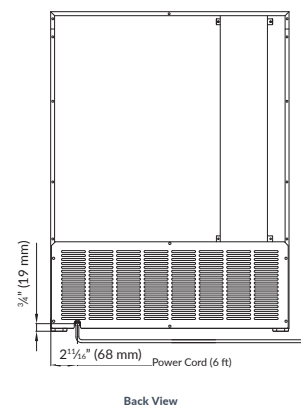
Model	Details
Control Type	Electronic Capacitative Touch with OLED Screen
Indoor or Outdoor	Indoor
Built-in Installation	Inset, Frameless / Overlay and Framed Cabinet Styles
Refrigerant Type	R600

Electrical	Details
Electrical Requirements	115 V / 60 Hz
Volt Range	104 V ~ 127 V
Maximum Amp Fuse	15 amp
Amps Running	0.7 amps

Approvals - Certifications	Details
ADA Height Compliant	Yes
ETL Residential/Commercial	Yes
ETL Sanitation	Yes
Star K	Yes



\*Dimensions are the same for Panel Ready unit when 3/4" panel applied



# REFRIGERATORS

When you just don't want people to see through your glass door refrigerator, Sapphire offers both 15" and 24" width models in solid door refrigerators for inside or outside the home. If ADA height is needed in your home or a commercial installation, Sapphire offers this specialty size in a solid door refrigerator.

Indoor refrigerator models are equipped with adjustable rack locations for your glass shelf inserts while ADA and outdoor models are outfitted with chrome wire shelf inserts. For maximum storage optimization, the adaptable shelf inserts are easily height-adjusted on a cantilevered racking system and slide out, full extension, for easy access to your refrigerated items. Further, all 24" models include a clear bottom bin for additional refrigerated items.

Place a refrigerator in your kitchen, bar, gym, or home theater, or select an outdoor-rated model to have food and beverages in your outdoor entertainment area.





Indoor  
Refrigerator



Indoor  
Refrigerator



ADA  
Refrigerator



Outdoor  
Refrigerator

## Indoor | 15" Refrigerator

- Signature SAPPHIRE Blue interior
- Full wrapped stainless-steel exterior
- Articulating, concealed self-closing hinges with built-in door stop
- Multifunction capacitive touch electronic control
- Temperature range: 34°F to 65°F
- Fan-assisted cooling system allows for even temperatures, quicker cooldown times, and added efficiency
- Full-length flush LED theater lighting
- Adaptable Racking System includes 3 stainless front, full-extension racks with tempered glass shelf inserts. Optional shelf inserts include gray vinyl-clad wine rack inserts making it easy to adapt to food and beverage storage needs
- Unit ships right hinged with field-reversible doors
- Stainless model includes a 1" diameter stainless steel handle with faceted standoffs (26" length)
- Panel Ready model requires ¾" custom door panel and handle
- Precise Zero Clearance Design allows for unmatched integration into any built-in setting
- 4 independent adaptable leveling legs
- Adaptable grille accepts an integrated toe kick and allows front/back and up/down alignment with adjacent cabinetry and toe kick/plinth
- Automatic defrost



Stainless



Panel Ready

### Model Details

Model	Lock	Finish	Description	Shipping Weight
SR15-SS	No	Stainless Steel	15" Indoor Refrigerator	122 lbs
SR15-PR	No	Panel Ready	15" Indoor Refrigerator	118 lbs

Refer to page 52 for accessories

Dimensions/Weight	Detail
Product Depth	23 ¼"
Product Height	34" - 35"
Product Width	14 ¾"
Product Weight	99 lbs
Product Volume	2.8 cu ft
Shipping Dimensions	17 ¾" x 27 ½" x 36 ¾"
Shipping Weight	122 lbs

Integration/Panel Information*	Detail
Panel Height	30" - 31"
Panel Thickness	¾" - 20 mm
Panel Width	14 ¾"

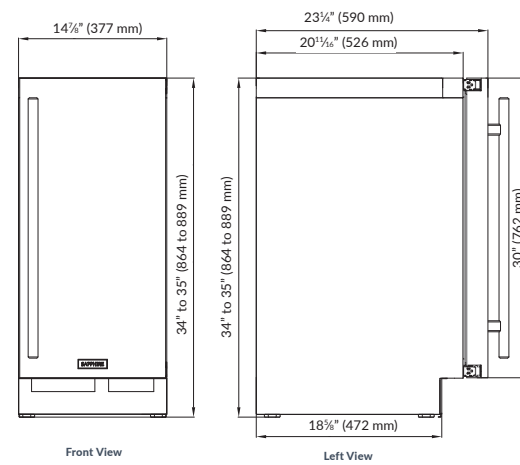
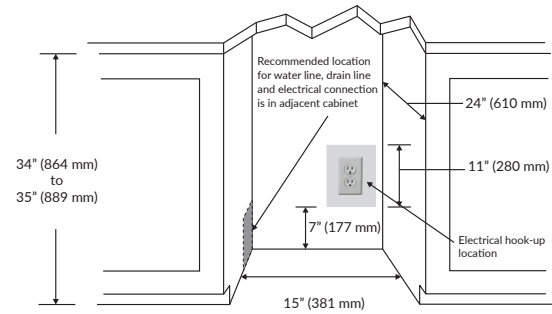
\*Refer to manual for all panel dimensions and installation instructions

# SAPPHIRE

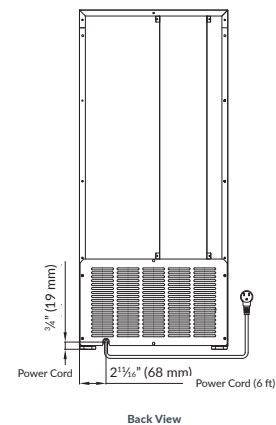
Model	Details
Control Type	Electronic Capacitive Touch with OLED Screen
Indoor or Outdoor	Indoor
Built-in Installation	Inset, Frameless / Overlay and Framed Cabinet Styles
Refrigerant Type	R600

Electrical	Details
Electrical Requirements	115 V / 60 Hz
Volt Range	104 V ~ 127 V
Maximum Amp Fuse	15 amp
Amps Running	0.6 amps

Approvals - Certifications	Details
Energy Star	Yes
ETL Residential / Commercial	Yes
ETL Sanitation	Yes
Star K	Yes



\*Dimensions are the same for Panel Ready unit when 3/4" panel applied



# Indoor | 24" Refrigerator

- Signature SAPPHIRE Blue interior
- Full wrapped stainless-steel exterior
- Articulating, concealed self-closing hinges with built-in door stop
- Multifunction capacitive touch electronic control
- Temperature range: 34°F to 65°F
- Fan-assisted cooling system allows for even temperatures, quicker cooldown times, and added efficiency
- Full-length flush LED theater lighting
- Adaptable Racking System includes 3 stainless front, full-extension racks with tempered glass shelf inserts. Optional shelf inserts include gray vinyl-clad wine rack inserts and/or chrome-plated wire shelf inserts making it easy to adapt to food and beverage storage needs
- Clear bottom crisper drawer
- Unit ships right hinged with field-reversible doors
- Stainless model includes 1" diameter stainless steel handle with faceted standoffs (26" length)
- Panel Ready model requires ¾" custom door panel and handle
- Precise Zero Clearance Design allows for unmatched integration into any built-in setting
- 4 independent adaptable leveling legs
- Adaptable grille accepts an integrated toe kick and allows front/back and up/down alignment with adjacent cabinetry and toe kick/plinth
- Automatic defrost
- Lock model available



Stainless



Panel Ready



Stainless with Lock

## Model Details

Model	Lock	Finish	Description	Shipping Weight
SR24-SS	No	Stainless Steel	24" Indoor Refrigerator	163 lbs
SR24-SS-L	Yes	Stainless Steel	24" Indoor Refrigerator	162 lbs
SR24-PR	No	Panel Ready	24" Indoor Refrigerator	155 lbs

Refer to page 53 for accessories

Dimensions/Weight	Detail
Product Depth	23 ¼"
Product Height	34" - 35"
Product Width	23 7/8"
Product Weight	133 lbs
Product Volume	5.1 cu ft
Shipping Dimensions	26 ¾" x 27 ½" x 36 ¾"
Shipping Weight	163 lbs

Integration/Panel Information*	Detail
Panel Height	30" - 31"
Panel Thickness	¾" - 20 mm
Panel Width	23 5/8"

\*Refer to manual for all panel dimensions and installation instructions

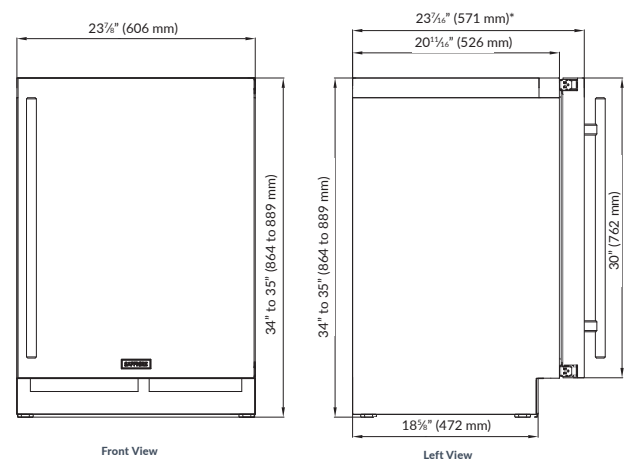
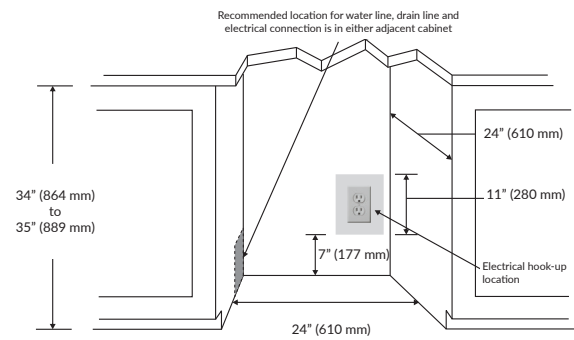


# SAPPHIRE

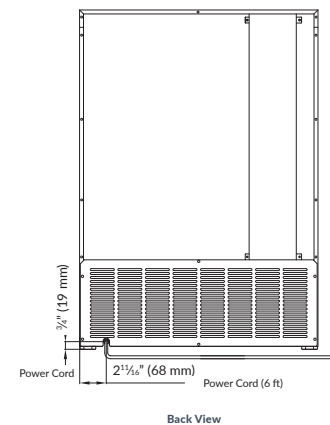
Model	Details
Control Type	Electronic Capacitive Touch with OLED Screen
Indoor or Outdoor	Indoor
Built-in Installation	Inset, Frameless / Overlay and Framed Cabinet Styles
Refrigerant Type	R600

Electrical	Details
Electrical Requirements	115 V / 60 Hz
Volt Range	104 V ~ 127 V
Maximum Amp Fuse	15 amp
Amps Running	0.7 amps

Approvals - Certifications	Details
Energy Star	Yes
ETL Residential / Commercial	Yes
ETL Sanitation	Yes
Star K	Yes



\*Dimensions are the same for Panel Ready unit when 3/4" panel applied



# ADA | 24" Refrigerator

- ADA height compliant, installs under 34" countertop
- Signature SAPPHIRE Blue interior
- Full wrapped stainless-steel exterior
- Articulating, concealed self-closing hinges with built-in door stop
- Multifunction capacitive touch electronic control
- Temperature range: 34°F to 65°F
- Fan-assisted cooling system allows for even temperatures, quicker cooldown times, and added efficiency
- Full-length flush LED theater lighting
- Adaptable Racking System includes 3 stainless front, full-extension racks with chrome-plated wire inserts. Optional shelf inserts include gray vinyl-clad wine rack inserts and/or tempered glass shelf inserts making it easy to adapt to food and beverage storage needs
- Clear bottom crisper drawer
- Unit ships right hinged with field-reversible doors
- Stainless model includes 1" diameter stainless steel handle with faceted standoffs (24" length)
- Panel Ready model requires ¾" custom door panel and handle
- Precise Zero Clearance Design allows for unmatched integration into any built-in setting
- 4 independent adaptable leveling legs
- Adaptable grille accepts an integrated toe kick and allows front/back and up/down alignment with adjacent cabinetry and toe kick/plinth
- Automatic defrost
- Lock standard



Stainless



Panel Ready

## Model Details

Model	Lock	Finish	Description	Shipping Weight
SR24-SSADA	Standard	Stainless Steel	24" ADA Refrigerator	154 lbs
SR24-PRADA	No	Panel Ready	24" ADA Refrigerator	148 lbs

Refer to page 53 for accessories

Dimensions/Weight	Detail
Product Depth	23 ¾"
Product Height	32" - 33"
Product Width	23 ¾"
Product Weight	126 lbs
Product Volume	4.7 cu ft
Shipping Dimensions	26 ¾" x 27 ½" x 36 ¾"
Shipping Weight	154 lbs

Integration/Panel Information*	Detail
Panel Height	28" - 29"
Panel Thickness	¾" - 20 mm
Panel Width	23 ¾"

\*Refer to manual for all panel dimensions and installation instructions



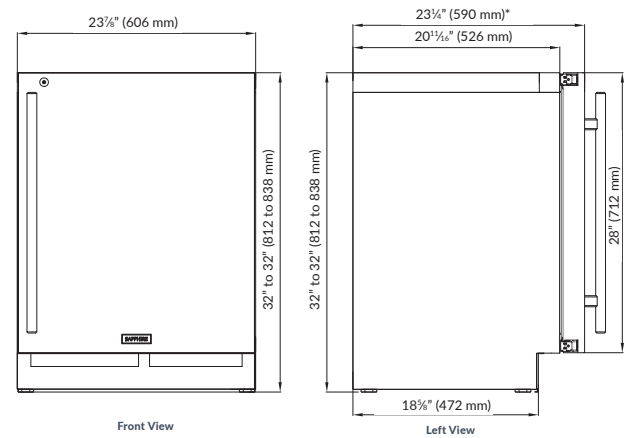
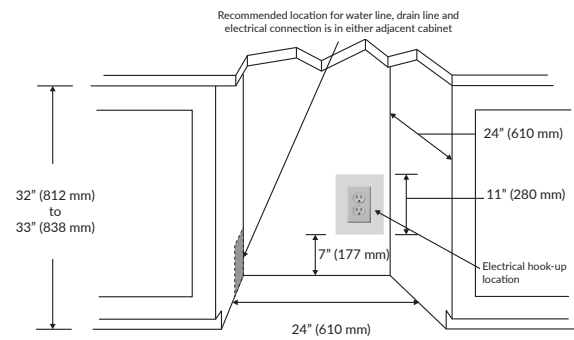


# SAPPHIRE

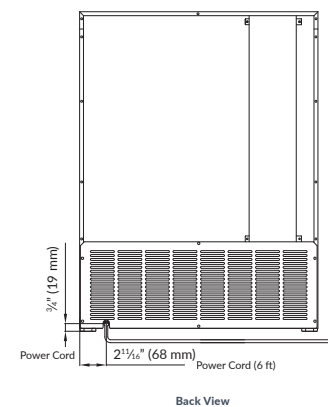
Model	Details
Control Type	Electronic Capacitive Touch with OLED Screen
Indoor or Outdoor	Indoor
Built-in Installation	Inset, Frameless / Overlay and Framed Cabinet Styles
Refrigerant Type	R600

Electrical	Details
Electrical Requirements	115 V / 60 Hz
Volt Range	104 V ~ 127 V
Maximum Amp Fuse	15 amp
Amps Running	0.7 amps

Approvals - Certifications	Details
ADA Height Compliant	Yes
Energy Star	Yes
ETL Residential / Commercial	Yes
ETL Sanitation	Yes
Star K	Yes



\*Dimensions are the same for Panel Ready unit when 3/4" panel applied



## Outdoor | 24" Refrigerator

- Signature SAPPHIRE Blue interior
- Full wrapped stainless-steel exterior
- Articulating, concealed self-closing hinges with built-in door stop
- Multifunction capacitive touch electronic control
- Temperature range: 34°F to 65°F
- Fan-assisted cooling system allows for even temperatures, quicker cooldown times, and added efficiency
- Full-length flush LED theater lighting
- Adaptable Racking System includes 3 stainless front, full-extension racks with chrome-plated wire inserts. Optional shelf inserts include gray vinyl-clad wine rack inserts and/or tempered glass shelf inserts making it easy to adapt to food and beverage storage needs
- Clear bottom crisper drawer
- Unit ships right hinged with field-reversible doors
- 1" diameter stainless steel handle with faceted standoffs (26" length)
- Precise Zero Clearance Design allows for unmatched integration into any built-in setting
- 4 independent adaptable leveling legs
- Fixed louvered stainless steel grille
- Automatic defrost
- Lock standard



Stainless with Lock

### Model Details

Model	Lock	Finish	Description	Shipping Weight
SR24-OD	Standard	Stainless Steel	24" Outdoor Refrigerator	159 lbs

Refer to page 53 for accessories

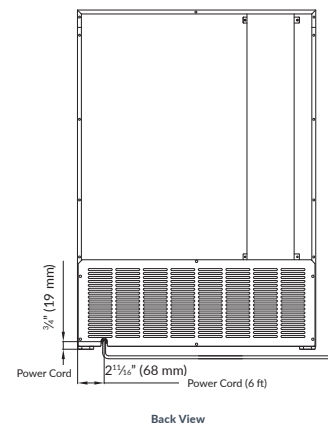
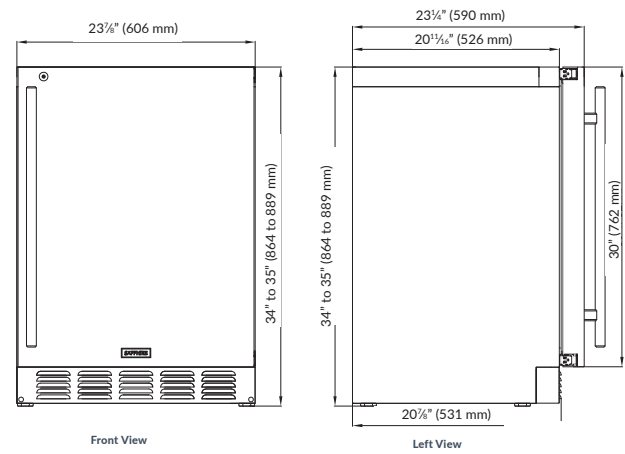
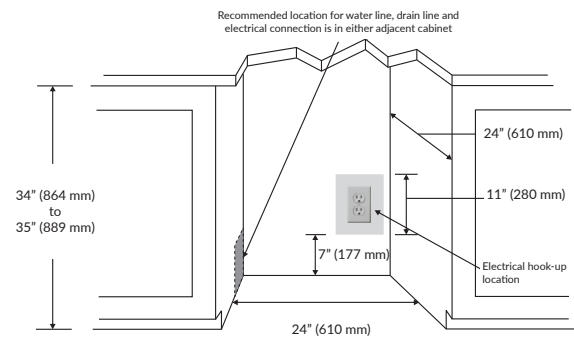
Dimensions/Weight	Detail
Product Depth	23 ¼"
Product Height	34" - 35"
Product Width	23 ⅞"
Product Weight	130 lbs
Product Volume	5.1 cu ft
Shipping Dimensions	26 ¾" x 27 ½" x 36 ¾"
Shipping Weight	159 lbs

# SAPPHIRE

Model	Details
Control Type	Electronic Capacitive Touch with OLED Screen
Indoor or Outdoor	Outdoor
Built-in Installation	Inset, Frameless / Overlay and Framed Cabinet Styles
Refrigerant Type	R600

Electrical	Details
Electrical Requirements	115 V / 60 Hz
Volt Range	104 V ~ 127 V
Maximum Amp Fuse	15 amp
Amps Running	0.7 amps

Approvals - Certifications	Details
ETL Residential / Commercial	Yes
ETL Sanitation	Yes
Star K	Yes



# REFRIGERATOR DRAWERS

When linear design and flexible storage options are important in your home, Sapphire provides options for inside and outside.

Sapphire offers enhanced accessibility as full-extension stainless steel lined drawers are pulled out to allow access to your food, condiments, beverages and other refrigerator goods. To assist in organizing your items, a stainless steel divider is included in each drawer to customize this space.

When drawers, not cabinet doors, are at the forefront of your design, place a Drawer model in your home or outdoor design.





Indoor  
Drawers



Outdoor  
Drawers

## Indoor | 24" Refrigerator Drawers

- Signature SAPPHIRE Blue interior
- Full wrapped stainless-steel exterior
- 2 full-extension stainless steel lined drawers
- Multifunction capacitive touch electronic control
- Temperature range: 34°F to 65°F
- Fan-assisted cooling system allows for even temperatures, quicker cooldown times, and added efficiency
- Full LED theater lighting
- Adaptable stainless steel dividers in each drawer allows customization of drawer space
- Stainless model includes 1" diameter stainless steel handles with faceted standoffs (22" length)
- Panel Ready model requires ¾" custom door panel and handle
- 4 independent adaptable leveling legs
- Adaptable grille accepts an integrated toe kick and allows front/back and up/down alignment with adjacent cabinetry and toe kick/plinth
- Automatic defrost
- Lock model available



Stainless



Panel Ready



Stainless with Lock

### Model Details

Model	Lock	Finish	Description	Shipping Weight
SRD24-SS	No	Stainless Steel	24" Indoor Refrigerator Drawers	157 lbs
SRD24-SS-L	Yes	Stainless Steel	24" Indoor Refrigerator Drawers	157 lbs
SRD24-PR	No	Panel Ready	24" Indoor Refrigerator Drawers	154 lbs

Refer to page 53 for accessories

Dimensions/Weight	Detail
Product Depth	23 ¼"
Product Height	34" - 35"
Product Width	23 ¾"
Product Weight	127 lbs
Product Volume	4.6 cu ft
Shipping Dimensions	26 ¾" x 27 ½" x 36 ¾"
Shipping Weight	157 lbs

Integration/Panel Information*	Detail
Panel Height	2 Panels: 14 ¾" each
Panel Thickness	¾" - 20 mm
Panel Width	23 ¾"

\*Refer to manual for all panel dimensions and installation instructions

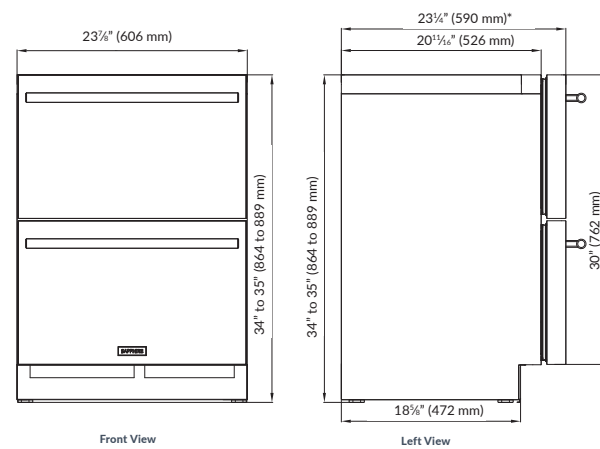
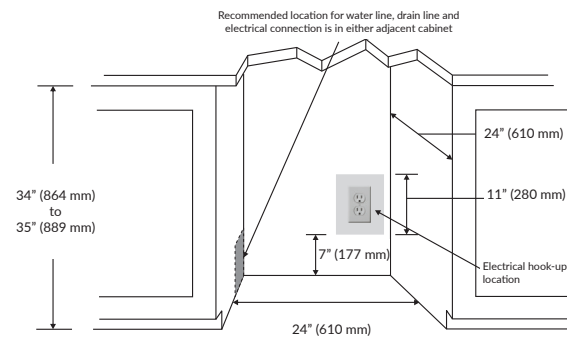


# SAPPHIRE

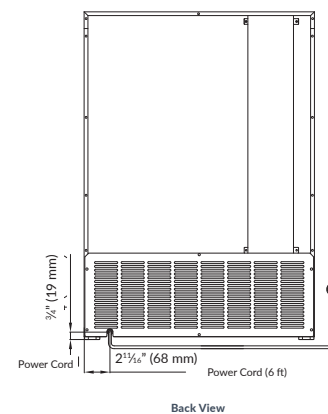
Model	Details
Control Type	Electronic Capacitive Touch with OLED Screen
Indoor or Outdoor	Indoor
Built-in Installation	Inset, Frameless / Overlay and Framed Cabinet Styles
Refrigerant Type	R600

Electrical	Details
Electrical Requirements	115 V / 60 Hz
Volt Range	104 V ~ 127 V
Maximum Amp Fuse	15 amp
Amps Running	0.7 amps

Approvals - Certifications	Details
ETL Residential / Commercial	Yes
ETL Sanitation	Yes
Star K	Yes



\*Dimensions are the same for Panel Ready unit when 3/4" panel applied



## Outdoor | 24" Refrigerator Drawers

- Signature SAPPHIRE Blue interior
- Full wrapped stainless-steel exterior
- 2 full-extension stainless steel lined drawers
- Multifunction capacitive touch electronic control
- Temperature range: 34°F to 65°F
- Fan-assisted cooling system allows for even temperatures, quicker cooldown times, and added efficiency
- Full LED theater lighting
- Adaptable stainless steel dividers in each drawer allows customization of drawer space
- 1" diameter stainless steel handles with faceted standoffs (22" length)
- 4 independent adaptable leveling legs
- Fixed louvered stainless steel grille
- Automatic defrost
- Lock standard



Stainless  
with Lock

### Model Details

Model	Lock	Finish	Description	Shipping Weight
SRD24-OD	Standard	Stainless Steel	24" Outdoor Refrigerator Drawers	157 lbs

Refer to page 53 for accessories

Dimensions/Weight	Detail
Product Depth	23 ¼"
Product Height	34" - 35"
Product Width	23 7/8"
Product Weight	129 lbs
Product Volume	4.6 cu ft
Shipping Dimensions	26 ¾" x 27 ½" x 36 ¾"
Shipping Weight	157 lbs



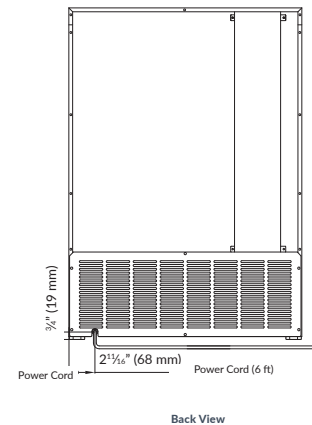
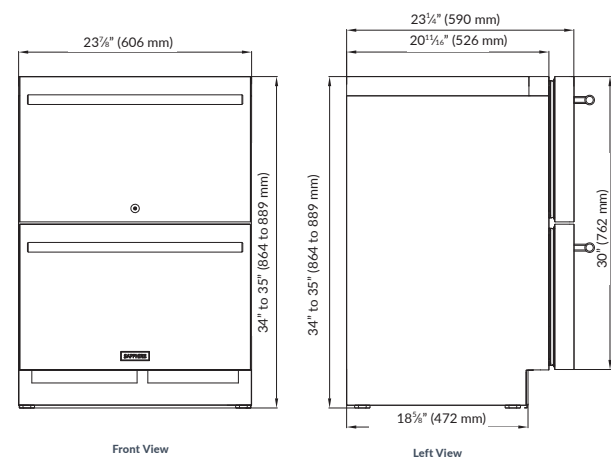
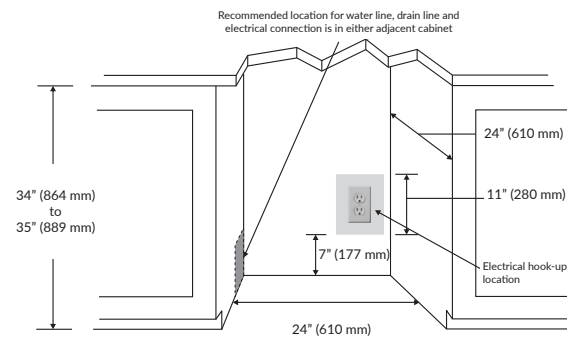


# SAPPHIRE

Model	Details
Control Type	Electronic Capacitive Touch with OLED Screen
Indoor or Outdoor	Outdoor
Built-in Installation	Inset, Frameless / Overlay and Framed Cabinet Styles
Refrigerant Type	R600

Electrical	Details
Electrical Requirements	115 V / 60 Hz
Volt Range	104 V ~ 127 V
Maximum Amp Fuse	15 amp
Amps Running	0.7 amps

Approvals - Certifications	Details
ETL Residential / Commercial	Yes
ETL Sanitation	Yes
Star K	Yes



# ACCESSORIES

Sapphire is engineered to give you the ability to manage a variety of wine bottles, can sizes and other refrigerated needs.

The cantilevered racking system and interchangeable inserts make it easy to adapt to most food and beverage storage.

Inserts are available in vinyl-clad wine racks, tempered glass shelves and chrome-plated wire shelves if out of the box configurations are not ideal for your current or evolving needs.

15" interchangeable insert accessory options include a tempered glass shelf, a large bottle wine rack and a standard bottle wine rack.

24" interchangeable insert accessory options include a tempered glass shelf, a chrome-plated wire shelf, a large bottle wine rack and a standard bottle wine rack.

See the next pages for detailed options for shelves and inserts that provide a wide variety of clever configurations to accommodate any need.



Engineered  
to manage  
a variety of  
refrigerated  
needs.

Available  
in vinyl-clad  
wine racks,  
tempered  
glass shelves  
and chrome-  
plated wire  
shelves.



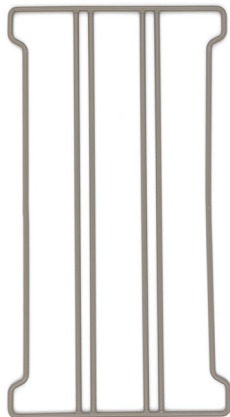
# Accessories



**A. 15" Full-Extension Shelf Frame**  
(Tempered Glass not included)



**B. 15" Standard (750 ml) Wine Rack Insert**



**C. 15" Large (750 ml) Wine Rack Insert**



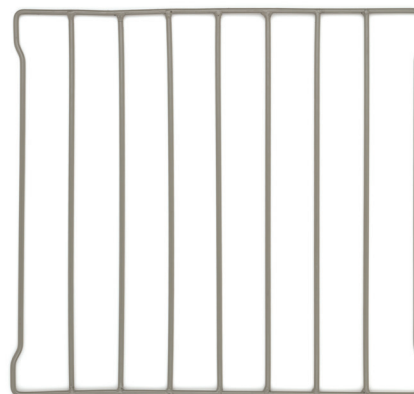
**D. 15" Tempered Glass Shelf Insert**  
(15" Full-Extension Shelf Frame not included)

## Accessories for 15" Units

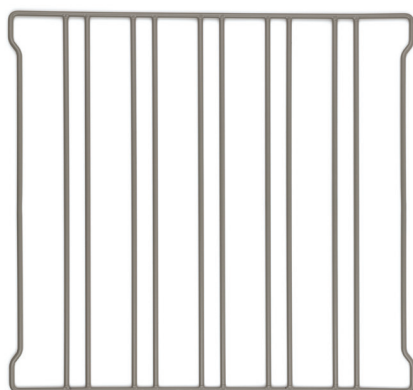
	Part Number	Material	Description
A	601564	Stainless Steel	15" Full-Extension Shelf Frame
B	617063	Vinyl-Clad	15" Standard (750 ml) Wine Rack Insert
C	617064	Vinyl-Clad	15" Large (750 ml) Wine Rack Insert
D	674001	Tempered Glass	15" Tempered Glass Shelf Insert



**E. 24" Full-Extension Shelf Frame**  
(Tempered Glass not included)



**F. 24" Standard (750 ml) Wine Rack Insert**



**G. 24" Large (750 ml) Wine Rack Insert**



**H. Tempered Glass Shelf Insert**  
(24" Full-Extension Shelf Frame not included)



**I. 24" Chrome Wire Shelf Insert**

## Accessories for 24" Units

Part Number	Material	Description
E 601484	Stainless Steel	24" Full-Extension Shelf Frame
F 617059	Vinyl-Clad	24" Standard (750 ml) Wine Rack Insert
G 617060	Vinyl-Clad	24" Large (750 ml) Wine Rack Insert
H 674000	Tempered Glass	24" Tempered Glass Shelf Insert
I 617066	Chrome	24" Chrome Wire Shelf Insert

## Contact Us

Customer Service: 1.866.754.6672  
SAPPHIRE Appliances | The Legacy Companies  
3355 Enterprise Avenue, Suite 160, Weston, FL 33331

[email@sapphireappliances.com](mailto:email@sapphireappliances.com) | [SapphireAppliances.com](http://SapphireAppliances.com)

## Limited Warranty

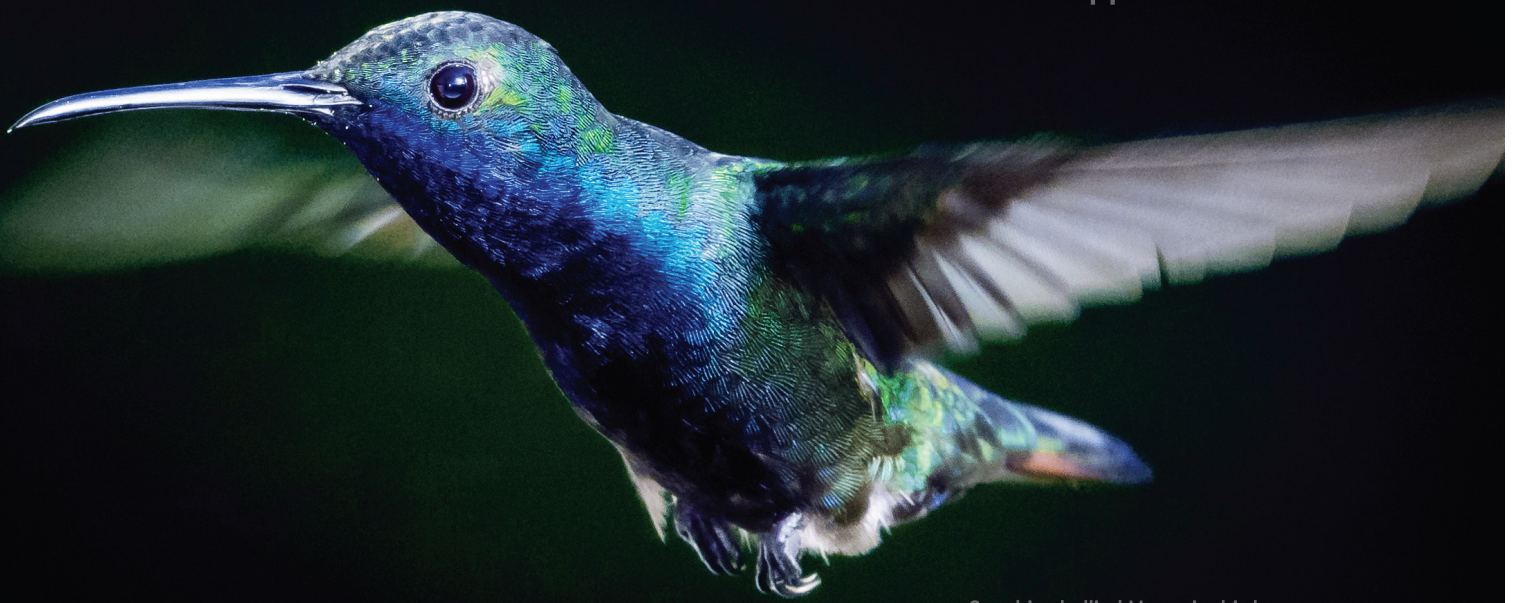
The Legacy Companies warrants to the original purchaser of its SAPPHIRE products that they will be free from defects in materials and workmanship for the following time periods from the date of purchase shown on the sales receipt:

Two (2) years Parts & On-site Labor  
Five (5) years Compressor Warranty (Parts only)

See complete warranty for details.

ALL REPAIRS AND SERVICE MUST BE MADE BY A SAPPHIRE  
AUTHORIZED TECHNICIAN.





“Sapphie”

Sapphire-bellied Hummingbird  
*Lepidopygia lilliae*

SAPPHIRE

© 2021