

A black and white artistic photograph of water splashing, creating a dynamic and textured background. The water droplets are captured in mid-air, creating a sense of movement and freshness. The lighting highlights the individual droplets and the overall spray, giving it a soft, ethereal quality.

Washer

User manual

WW22K6800A*

SAMSUNG

Contents

Safety information	4
What you need to know about the safety instructions	4
Important safety symbols	4
Important safety precautions	5
Critical installation warnings	6
Installation cautions	8
Critical usage warnings	8
Usage cautions	10
Critical cleaning warnings	14
Installation	15
What's included	15
Installation requirements	16
Step-by-step installation	21
Before you start	27
Initial settings	27
Laundry guidelines	28
Detergent drawer guidelines	30
Operations	32
Feature panel	32
Simple steps to start	34
Cycle overview	35
Special features	38
Maintenance	41
Self Clean	41
Smart Care	42
Emergency drain	43
Cleaning	44
Recovery from freezing	47
Care against an extended time of disuse	48
Cleaning the exterior	48
Cleaning the interior	48

Troubleshooting	49
Checkpoints	49
Information codes	53
Specifications	55
Fabric care chart	55
Protecting the environment	56
Declaration of conformity	56
Specification sheet	57
Cycle chart	58

Safety information

Congratulations on your new Samsung washer. This manual contains important information on the installation, use and care of your appliance. Please take some time to read this manual to take full advantage of your washer's many benefits and features.

What you need to know about the safety instructions

Please read this manual thoroughly to ensure that you know how to safely and efficiently operate the extensive features and functions of your new appliance. Please store the manual in a safe location close to the appliance for future reference. Use this appliance only for its intended purpose as described in this instruction manual.

Warnings and Important Safety Instructions in this manual do not cover all possible conditions and situations that may occur. It is your responsibility to use common sense, caution and care when installing, maintaining and operating your washer.

Because the following operating instructions cover various models, the characteristics of your washer may differ slightly from those described in this manual and not all warning signs may be applicable. If you have any questions or concerns, contact your nearest service center or find help and information online at www.samsung.com.

Important safety symbols

What the icons and signs in this user manual mean:

WARNING

Hazards or unsafe practices that may result in severe personal injury, death and/or property damage.

CAUTION

Hazards or unsafe practices that may result in personal injury and/or property damage.

NOTE

Indicates that a risk of personal injury or material damage exists.

These warning signs are here to prevent injury to yourself and others.

Please follow them explicitly.

After reading this manual, store it in a safe place for future reference.

Read all instructions before using the appliance.

As with any equipment that uses electricity and moving parts, potential hazards exist. To safely operate this appliance, familiarize yourself with its operation and exercise care when using it.

SAVE THESE INSTRUCTIONS

Important safety precautions

WARNING

To reduce the risk of fire, electric shock, or injury to persons when using your appliance, follow basic precautions, including the following:

1. Read all instructions before using the appliance.
2. Do not wash or dry articles that have been previously cleaned in, washed in, soaked in, or spotted with gasoline, dry-cleaning solvents, other flammable or explosive substances as they give off vapors that could ignite or explode.
3. Do not allow children to play on or in the appliance. Close supervision of children is necessary when the appliance is used near children.
4. Before the appliance is removed from service or discarded, remove the door to the washing or drying compartment.
5. Do not reach into the appliance if the drum is moving.
6. Do not install or store this appliance where it will be exposed to the weather.
7. Do not tamper with controls.
8. Do not repair or replace any part of the appliance or attempt any servicing unless specifically recommended in the user-maintenance instructions or in published userrepair instructions that you understand and have the skills to carry out.

SAVE THESE INSTRUCTIONS

Safety information

9. Do not add gasoline, dry-cleaning solvents, or other flammable or explosive substances to the wash water. These substances give off vapors that could ignite or explode.
10. Under certain conditions, hydrogen gas may be produced in a hot water system that has not been used for 2 weeks or more. HYDROGEN GAS IS EXPLOSIVE. If the hot water system has not been used for such a period, before using a washer or combination washer-dryer, turn on all hot water faucets and let the water flow from each for several minutes. This will release any accumulated hydrogen gas. As the gas is flammable, do not smoke or use an open flame during this time.

Critical installation warnings

WARNING

State of California Proposition 65 Warning (US only)

This product contains chemicals known to the State of California to cause cancer and birth defects or other reproductive harm.

The installation of this appliance must be performed by a qualified technician or service company.

- Failure to do so may result in electric shock, fire, an explosion, problems with the product, or injury.

The appliance is heavy, therefore take care when lifting it.

Plug the power cord into a wall socket that meets local electrical specifications. Use the socket for this appliance only, and do not use an extension cord.

- Sharing a wall socket with other appliances using a power strip or extending the power cord may result in electric shock or fire.
- Ensure that the power voltage, frequency, and current are the same as those of the product specifications. Failure to do so may result in electric shock or fire. Plug the power plug into the wall socket firmly.

SAVE THESE INSTRUCTIONS

Remove all foreign substances such as dust or water from the power plug terminals and contact points using a dry cloth on a regular basis.

- Unplug the power plug and clean it with a dry cloth.
- Failure to do so may result in electric shock or fire.

Plug the power plug into the wall socket so that the cord is running towards the floor.

- If you plug the power plug into the socket in the opposite direction, the electric wires within the cable may be damaged and this may result in electric shock or fire.

Keep all packaging materials out of the reach of children as these may be dangerous.

- If a child places a bag over its head, it may suffocate.

When the appliance, power plug or power cord is damaged, contact your nearest service center.

This appliance must be properly grounded.

Do not ground the appliance to a gas pipe, plastic water pipe, or telephone line.

- This may result in electric shock, fire, an explosion, or problems with the product.
- Never plug the power cord into a socket that is not grounded correctly and make sure that it is in accordance with local and national regulations.

Do not install this appliance near a heater or any inflammable material.

Do not install this appliance in a humid, oily or dusty location, or in a location exposed to direct sunlight or water (rain drops).

Do not install this appliance in a location exposed to low temperatures.

- Frost may cause the tubes to burst.

Do not install this appliance in a location where gas may leak.

- This may result in electric shock or fire.

Do not use an electric transformer.

- This may result in electric shock or fire.

Do not use a damaged power plug, damaged power cord, or loose wall socket.

- This may result in electric shock or fire.

SAVE THESE INSTRUCTIONS

Safety information

Do not pull or excessively bend the power cord.

Do not twist or tie the power cord.

Do not hook the power cord over a metal object, place a heavy object on the power cord, insert the power cord between objects, or push the power cord into the space behind the appliance.

- This may result in electric shock or fire.

Do not pull the power cord when unplugging the power plug.

- Unplug the power plug by holding the plug.
- Failure to do so may result in electric shock or fire.

This appliance should be positioned so that the power plug, the water supply taps, and the drain pipes are accessible.

Installation cautions

CAUTION

This appliance should be positioned in such a way that the power plug is easily accessible.

- Failure to do so may result in electric shock or fire due to electric leakage.

Install your appliance on a solid, level floor that can support its weight.

- Failure to do so may result in abnormal vibrations, movement, noise, or problems with the product.

Critical usage warnings

WARNING

If the appliance is flooded, turn off the water & power supplies immediately and contact your nearest service center.

- Do not touch the power plug with wet hands.
- Failure to do so may result in electric shock.

If the appliance generates a strange noise, a burning smell, or smoke, unplug the power plug immediately and contact your nearest service center.

- Failure to do so may result in electric shock or fire.

SAVE THESE INSTRUCTIONS

In the event of a gas leak (such as propane gas, LP gas, etc.), ventilate immediately without touching the power plug. Do not touch the appliance or power cord.

- Do not use a ventilating fan.
- A spark may result in an explosion or fire.

Do not let children play in or on the washer. In addition, when disposing of the appliance, remove the washer door lever.

- If trapped inside the product, children may suffocate to death.

Make sure to remove the packaging (sponge, styrofoam) attached to the bottom of the washer before using it.

Do not wash items contaminated with gasoline, kerosene, benzene, paint thinner, alcohol or other inflammable or explosive substances.

- This may result in electric shock, fire, or an explosion.

Do not open the washer door by force while it is operating (high-temperature washing/drying/spinning).

- Water flowing out of the washer may result in burns or cause the floor to be slippery. This may result in injury.
- Opening the door by force may result in damage to the product or injury.

Do not insert your hand under the washer while an operation is in progress.

- This may result in injury.

Do not touch the power plug with wet hands.

- This may result in electric shock.

Do not turn the appliance off by unplugging the power plug while an operation is in progress.

- Plugging the power plug into the wall socket again may cause a spark and result in electric shock or fire.

Do not let children or the infirm use this washer without proper supervision. Do not let children climb in or onto the appliance.

- This may result in electric shock, burns or injury.

Do not insert your hand or a metal object under the washer while it is operating.

- This may result in injury.

SAVE THESE INSTRUCTIONS

Safety information

Do not unplug the appliance by pulling the power cord. Always grip the plug firmly and pull it straight out of the outlet.

- Damage to the power cord may cause a short-circuit, fire and/or electric shock.

Do not attempt to repair, disassemble, or modify the appliance yourself.

- Do not use a fuse (such as copper, steel wire, etc.) other than a standard fuse.
- When the appliance needs to be repaired or reinstalled, contact your nearest service center.
- Failure to do so may result in electric shock, fire, problems with the product, or injury.

If the water supply hose comes loose from the faucet and floods the appliance, unplug the power plug.

- Failure to do so may result in electric shock or fire.

Unplug the power plug when the appliance is not being used for long periods of time or during a thunder or lightning storm.

- Failure to do so may result in electric shock or fire.

If any foreign substance enters into the appliance, unplug the power plug and contact your nearest Samsung Customer Service.

- This may result in electric shock or fire.

Do not let children (or pets) play in or on your washer. The washer door does not open easily from the inside and children may be seriously injured if trapped inside.

Usage cautions

CAUTION

When the washer is contaminated by a foreign substance such as detergent, dirt, food waste, etc., unplug the power plug and clean the washer using a damp, soft cloth.

- Failure to do so may result in discoloration, deformation, damage, or rust.

The front glass may be broken by a strong impact. Take care when using the washer.

- If the glass is broken, it may result in injury.

SAVE THESE INSTRUCTIONS

After a water supply failure or when reconnecting the water supply hose, open the faucet slowly.

Open the faucet slowly after a long period of non-use.

- The air pressure in the water supply hose or the water pipe may damage a product part or result in a water leak.

If a draining error occurs during an operation, check if there is a draining problem.

- If the washer is used when it is flooded because of a draining problem, it may result in electric shock or fire.

Insert the laundry into the washer completely so that the laundry does not get caught in the door.

- If laundry gets caught in the door, it may result in damage to the laundry or the washer, or result in a water leak.

Turn the water supply off when the washer is not being used.

- Ensure that the screws on the water supply hose connector are properly tightened.

Ensure that the rubber seal and front door glass are not contaminated by a foreign substance (e.g. waste, thread, hair, etc.).

- If a foreign substance is caught in the door or the door is not completely closed, it may cause a water leak.

Open the faucet and check if the water supply hose connector is firmly tightened and that there is no water leak before using the product.

- If the screws on the water supply hose connector are loose, it may result in a water leak.

The product you have purchased is designed for domestic use only.

Using the product for business purposes qualifies as a product misuse. In this case, the product will not be covered by the standard warranty provided by Samsung and no responsibility can be attributed to Samsung for malfunctions or damages resulting from such misuse.

Do not stand on the appliance or place objects (such as laundry, lighted candles, lighted cigarettes, dishes, chemicals, metal objects, etc.) on the appliance.

- This may result in electric shock, fire, problems with the product, or injury.

SAVE THESE INSTRUCTIONS

Safety information

Do not spray volatile material such as insecticide onto the surface of the appliance.

- As well as being harmful to humans, this may result in electric shock, fire or problems with the product.

Do not place objects that generate electromagnetic fields near the washer.

- This may result in injury due to a malfunction.

Water drained during a high-temperature wash or drying cycle is hot. Do not touch the water.

- This may result in burns or injury.

Do not wash, spin, or dry water-proof seats, mats, or clothing (*) unless your appliance has a special cycle for washing these items.

(*): Woollen bedding, rain covers, fishing vests, ski pants, sleeping bags, diaper covers, sweat suits, and bicycle, motor cycle and car covers, etc.

- Do not wash thick or hard mats even if the washer mark is on the care label. This may result in injury or damage to the washer, walls, floor, or clothing due to abnormal vibrations.
- Do not wash throw rugs or doormats with rubber backing. The rubber backing may come off and stick to inside the drum, and this may result in malfunction such as a drainage error.

Do not operate the washer when the detergent drawer is removed.

- This may result in electric shock or injury due to a water leak.

Do not touch the insides of the drum during or just after drying as it is hot.

- This may result in burns.

Do not insert your hand into the detergent drawer.

- This may result in injury as your hand may be caught by the detergent input device.
- The liquid detergent guide (applicable models only) is not used for powder detergent. Remove the guide when using powder detergent.

Do not place any objects (such as shoes, food waste, animals) other than laundry into the washer.

- This may result in damage to the washer, or injury and death in the case of pets due to the abnormal vibrations.

Do not press the buttons using sharp objects such as pins, knives, fingernails, etc.

- This may result in electric shock or injury.

SAVE THESE INSTRUCTIONS

Do not wash laundry contaminated by oils, creams or lotions usually found in skincare shops or massage clinics.

- This may cause the rubber seal to become deformed and result in a water leak.

Do not leave metal objects such as safety pins, hair pins or bleach in the drum for long periods of time.

- This may cause the drum to rust.
- If rust starts appearing on the surface of the drum, apply a (neutral) cleansing agent to the surface and use a sponge to clean it. Never use a metal brush.

Do not use dry cleaning detergent directly and do not wash, rinse, or spin laundry contaminated by dry cleaning detergent.

- This may result in spontaneous combustion or ignition due to the heat from the oxidation of the oil.

Do not use water from water cooling/heating devices.

- This may result in problems with the washer.

Do not use natural hand-washing soap for the washer.

- If it hardens and accumulates inside the washer, it may result in problems with the product, discoloration, rust, or bad odours.

Place socks and brassieres in a washing net and wash them with the other laundry.

Do not wash large laundry items such as bedding in the washing net.

- Failure to do so may result in injury due to abnormal vibrations.

Do not use hardened detergent.

- If it accumulates inside the washer, it may result in a water leak.

Make sure that the pockets of all the clothing items to be washed are empty.

- Hard, sharp objects such as coins, safety pins, nails, screws, or stones can cause extensive damage to the appliance.

Do not wash clothing with large buckles, buttons or other heavy metal objects.

Sort the laundry by color on the basis of its colorfastness and select the recommended cycle, water temperature and additional functions.

- This may result in discoloration or fabric damage.

Take care that children's fingers are not caught in the door when you close it.

- Failure to do so may result in injury.

SAVE THESE INSTRUCTIONS

Safety information

Critical cleaning warnings

WARNING

Do not clean the appliance by spraying water directly onto it.

Do not use a strong acidic cleaning agent.

Do not use benzene, thinner or alcohol to clean the appliance.

- This may result in discoloration, deformation, damage, electric shock or fire.

Before cleaning or performing maintenance, unplug the appliance from the wall socket.

- Failure to do so may result in electric shock or fire.

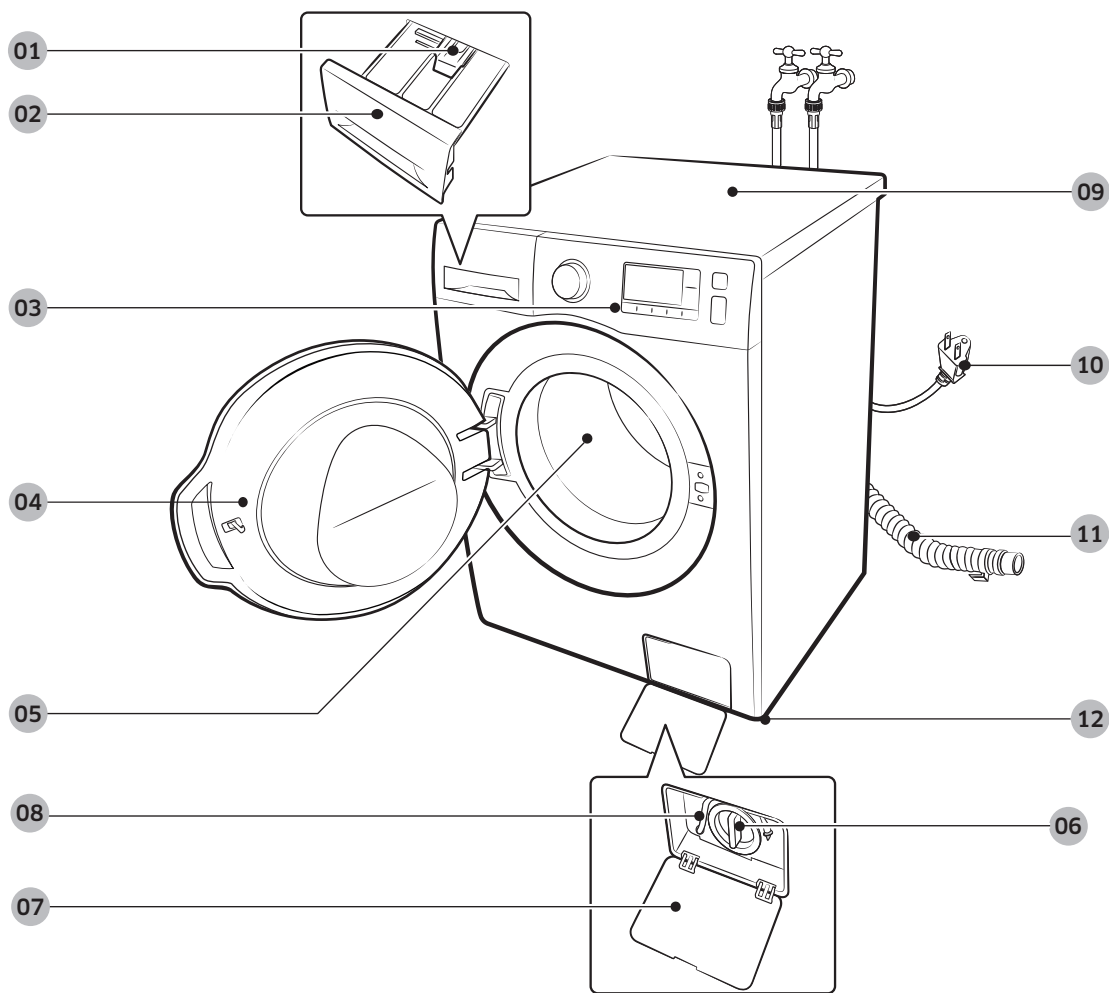
SAVE THESE INSTRUCTIONS

Installation

Follow these instructions carefully to ensure proper installation of the washer and to prevent accidents when doing laundry.

What's included

Make sure all the parts are included in the product package. If you have a problem with the washer or the parts, contact a local Samsung customer center or the retailer.



01 Release lever

04 Door

07 Filter cover

10 Power plug

02 Detergent drawer

05 Drum

08 Emergency drain tube

11 Drain hose

03 Control panel

06 Pump filter

09 Worktop

12 Levelling feet

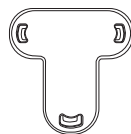
Installation



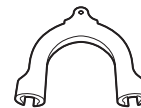
Spanner



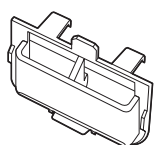
Bolt caps



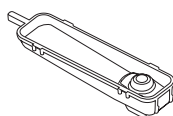
Cap fixer



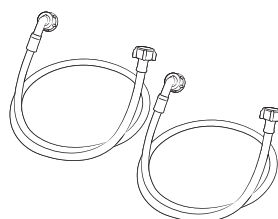
Hose guide



Liquid detergent container



Drawer bleach



Water hoses (sold separately)



Anti-slip pads (sold separately)

NOTE

- Bolt caps: The provided number (3 to 6) of bolt caps depends on the model.
- The appearance of the machine and provided accessories may differ with the model.

CAUTION

- Do not reuse old water hoses, which may leak or burst, causing flooding and/or property damage.
- Make sure the rubber washers are inserted in each coupling of the water hose.

Installation requirements

Electrical supply and grounding

- AC 120 V / 60 Hz / 15 AMP fuse or circuit breaker is required.
- Use an individual branch circuit specific to the washer.

To ensure proper grounding, the washer comes with a power cord featuring a three-prong grounding plug for use in a properly installed and grounded outlet.

Check with a qualified electrician or service person if you are not sure about the grounding.

Do not modify the provided plug. If it does not fit the outlet, call a qualified electrician to install a proper outlet.

WARNING

- Do NOT use an extension cord.
- Use only the power cord that comes with the washer.

- Do NOT connect the ground wire to plastic plumbing, gas lines, or hot water pipes.
- Improperly connected grounding conductors may cause electric shock.
- To prevent unnecessary risk of fire, electrical shock, or personal injury, all wiring and grounding must be done in accordance with local codes, or in the absence of local codes, in accordance with the National Electrical Code, ANSI/NFPA No. 70-Latest Revision (for the U.S.) or the Canadian Electrical Code CSA C22.1 - Latest Revisions and local codes and ordinances. It is your responsibility to provide adequate electrical service for your washer.

Water supply

A proper water pressure for this washer is between 20-116 psi (137-800 kPa). Water pressure less than 20 psi (137 kPa) may cause the water valve not to close completely. Or, it may take longer to fill the drum, causing the washer to turn off. Faucets must be within 4 feet (122 cm) from the rear of the washer so that the provided inlet hoses reach the washer.

To reduce the risk of leaks:

- Make sure faucets are easily accessible.
- Turn off the taps when the washer is not in use.
- Check for any leaks at the water inlet hose fittings on a regular basis.

CAUTION

Before using the washer for the first time, check all connections at the water valve and taps for any leaks.

Drain

Samsung recommends a standpipe in height of 18 in (46 cm). The drain hose must be connected through the hose clip to the standpipe, and the standpipe must fully cover the drain hose.

Flooring

For best performance, the washer must be installed on a solid floor. Wood floors may need to be reinforced to minimize vibration and/or unbalanced loads. Carpeting and soft tile surfaces are not a good resistance to vibrations and may cause the washer to move slightly during the spin cycle.

CAUTION

Do NOT install the washer on a platform or a poorly supported structure.

Water temperature

Do not install the washer in areas where water may freeze as the washer always retains some water in its water valves, pumps, and/or hoses. Frozen water left in the connection parts may cause damage to belts, the pump, and other components of the washer.

Installation

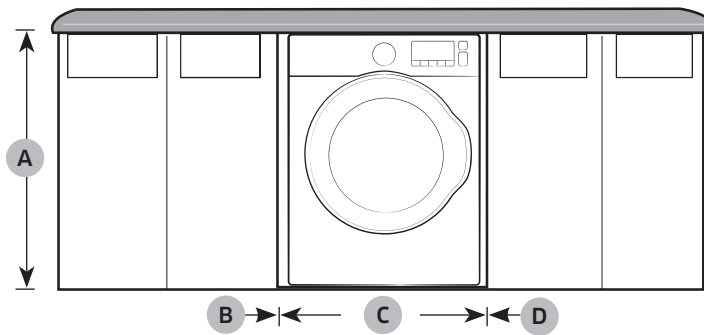
Alcove or closet installation

Minimum clearance for stable operation:

Sides	1 in. (25 mm)
Top	17 in. (432 mm)
Rear	5.9 in. (150 mm)
Front	2 in. (51 mm)

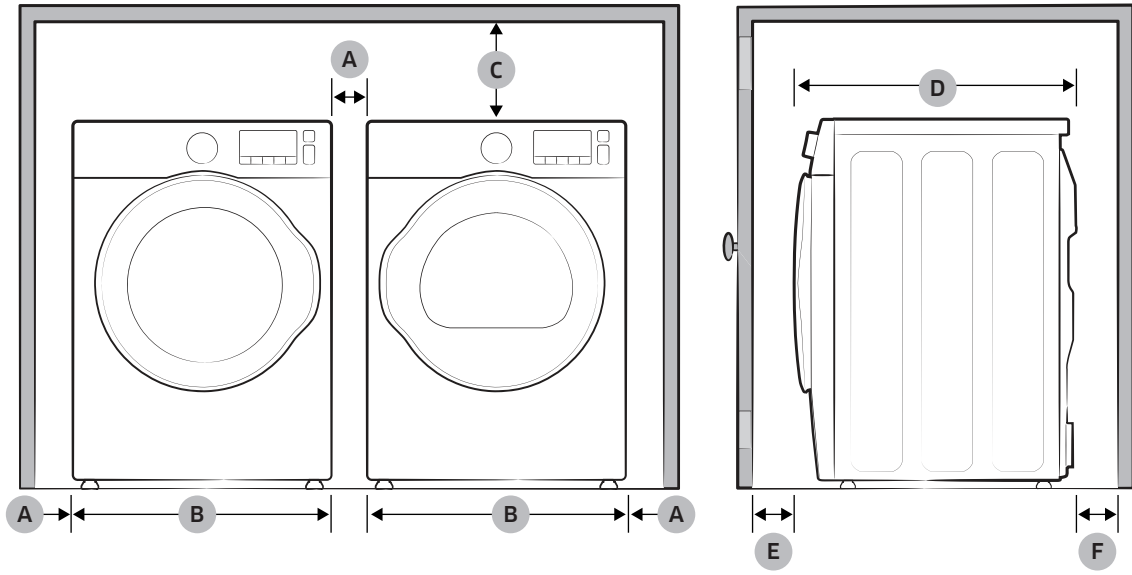
If both the washer and a dryer are installed in the same location, the front of the alcove or closet must have at least a 72 in² (465 cm²) unobstructed air opening. Your washer alone does not require a specific air opening.

Undercounter installation



A	39.6 in. (1006 mm)	C	27 in. (686 mm)
B	1 in. (25 mm)	D	1 in. (25 mm)

Side by side installation

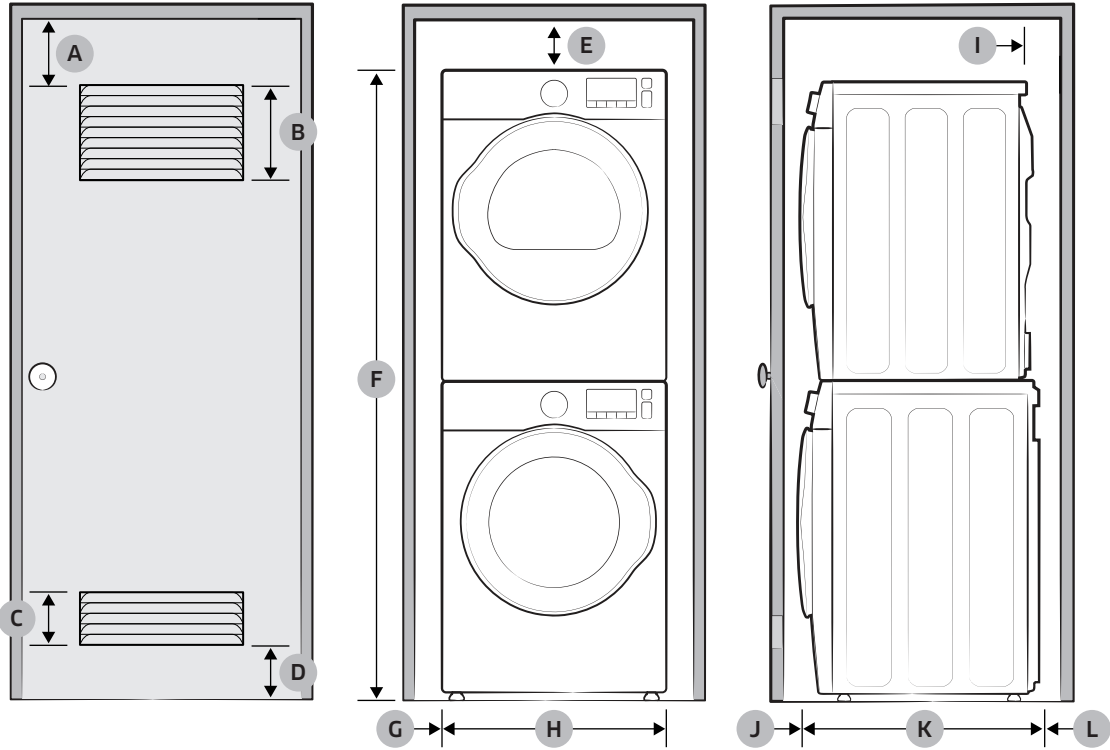


A*	1 in. (25 mm)	D	25.8 in. (655 mm)
B	23.6 in. (600 mm)	E	3 in. (76 mm)
C	17 in. (432 mm)	F	3 in. (76 mm)

*This clearance is not applicable to standalone washers.

Installation

Installation



A	3 in. (76 mm)	G	1 in. (25 mm)
B	48 in ² . (310 mm ²)	H	23.6 in. (600 mm)
C	24 in ² . (155 mm ²)	I	5.5 in. (140 mm)
D	3 in. (76 mm)	J	3 in. (76 mm)
E	6 in. (152 mm)	K	26.6 in. (676 mm)
F	67 in. (1702 mm)	L	4.75 in. (120 mm)

WARNING

Samsung's washers and dryers can be stacked to maximize usable space. The dryer legs need to be removed to stack the washer and dryer. You can purchase an optional stacking kit from your Samsung retailer.

Stacked installation (Model: SK-DH)

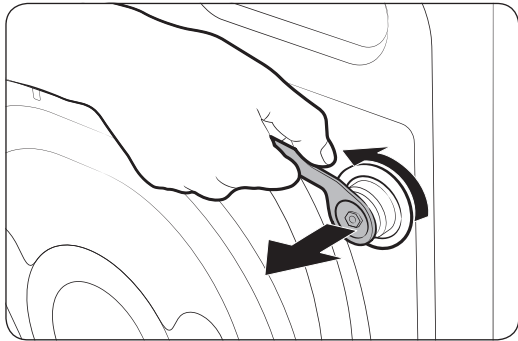
Step-by-step installation

STEP 1 Select a location

Location requirements:

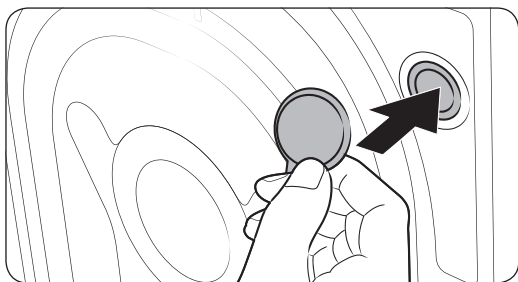
- Solid, level surface without carpeting or flooring that may obstruct ventilation
- Away from direct sunlight
- Adequate room for ventilation and wiring
- The ambient temperature is always higher than the freezing point (0 °C)
- Away from a heat source

STEP 2 Remove the shipping bolts



Unpack the product package and remove all shipping bolts.

1. Loosen all shipping bolts on the rear of the machine using the supplied spanner.



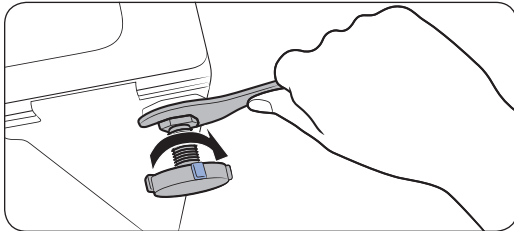
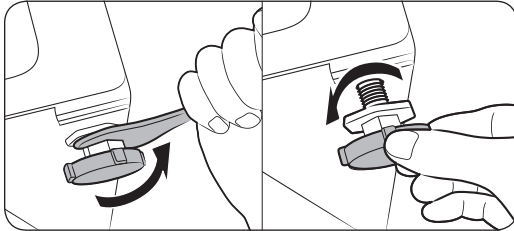
2. Fill the holes with the supplied plastic bolt caps. Keep the shipping bolts for future use.

⚠ WARNING

Packaging materials can be dangerous to children. Dispose all packaging material (plastic bags, polystyrene, etc.) out of children's reach.

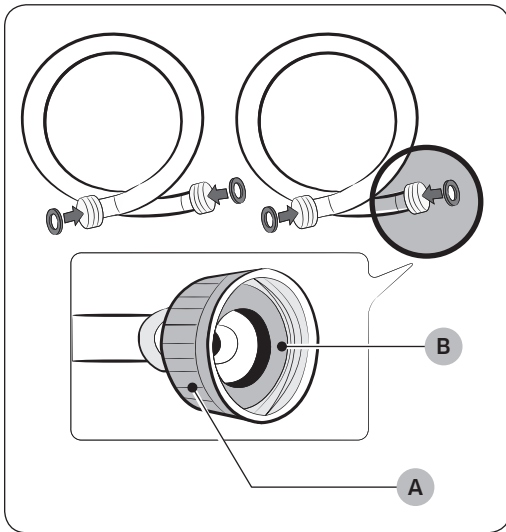
Installation

STEP 3 Adjust the levelling feet



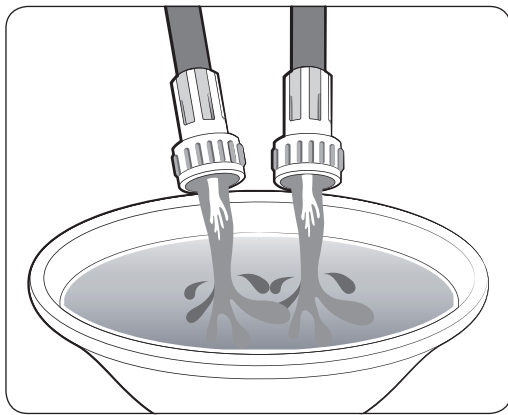
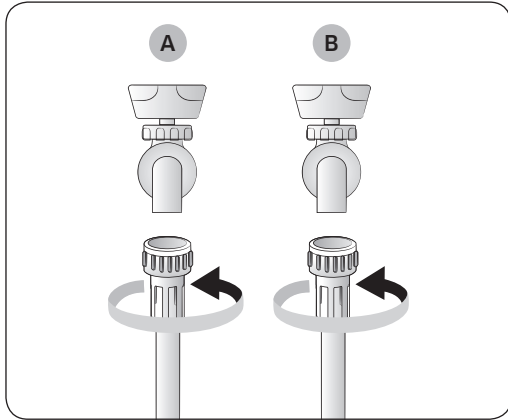
1. Gently slide the washer into position. Excessive force may damage the levelling feet.
2. Level the washer by manually adjusting the levelling feet.
3. When levelling is complete, tighten the nuts using the spanner.

STEP 4 Connect the water hose



⚠ CAUTION

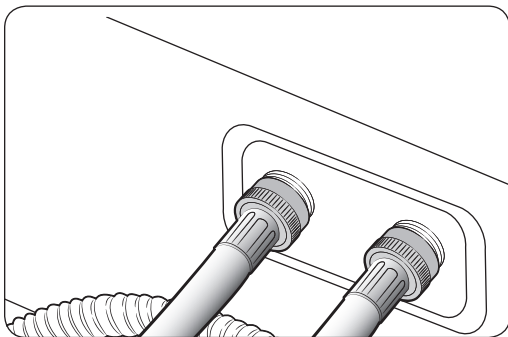
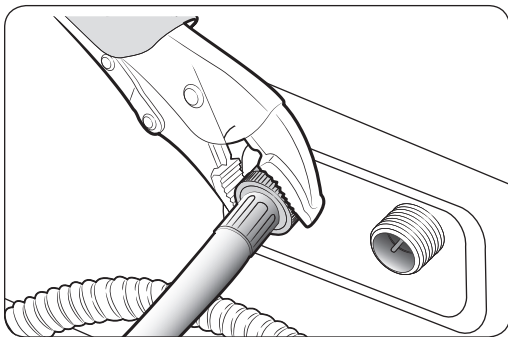
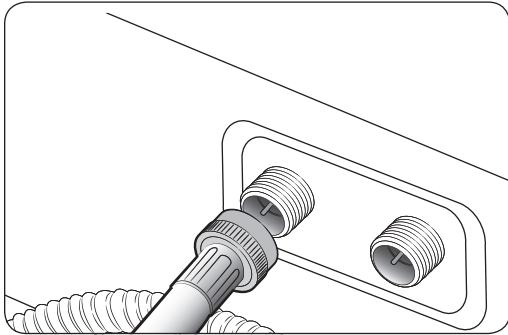
- Make sure you use a new water hose, and there are rubber gaskets (B) inside the couplings (A) at either end of the water hose. A water hose without the gasket may cause a water leak.
- If there is a water leak, stop using the washer and contact a local Samsung service center. This may cause electric shock.
- Do not stretch the water hose by force. If the hose is too short, replace the hose with a longer, high-pressure hose.
- To prevent leaks, make sure both water hoses are not bent or kinked. A water leak may cause electric shock.



To connect the water hose to the faucet:

1. Connect one end of each water hose to the Hot (B) or Cold (A) tap.
2. Turn the fittings manually to the end, and then tighten them just by an additional two-thirds of a turn with a spanner. Do not overtighten them to prevent damage to the fittings.
3. When done, pull up or down the water hoses to check if they are properly connected.
4. Put the other ends of the hoses into a bucket and open the taps for 10-15 seconds to remove impurities. When done, close the taps.

Installation



5. Connect the other ends of the water hoses to the corresponding inlets on the rear of the machine as specified. Make sure the hot water hose is connected to the hot inlet, and the cold water hose to the cold inlet.
6. Repeat step 2 above on the other fittings. Make sure both water hoses are connected properly. See the '4C' information code for troubleshooting.
7. Open both faucets, and check if there is a leak.

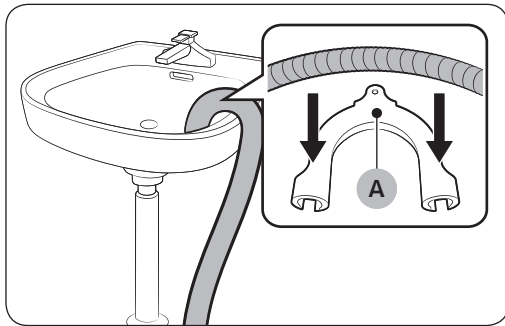


NOTE

If you do not want to use the hot water hose, insert the inlet cap into the hot water inlet. In this case, you must select Tap Cold for the water temperature. All other water indicators turn off.

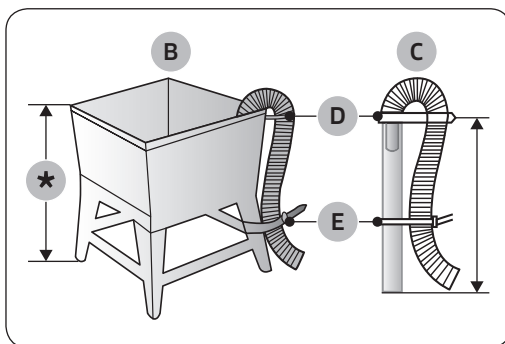
STEP 5 Position the drain hose

The drain hose can be positioned in three ways:



Over the edge of a wash basin

The drain hose must be placed at a height of between 24 in. (60 cm) and 35 in. (90 cm) from the floor. To keep the spout of the drain hose bent, use the supplied plastic hose guide (A). Secure the guide to the wall using a hook to ensure stable drainage.



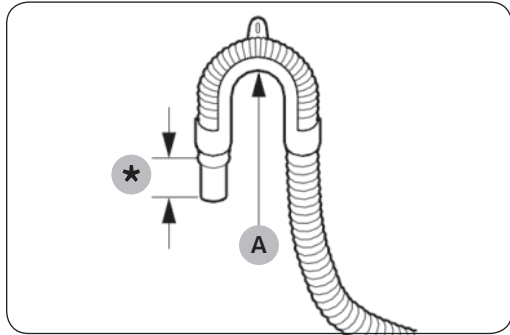
In a standpipe or laundry tub

The standpipe (B) or laundry tub (C) must be no shorter than 18 in. (46 cm) and no longer than 96 in. (245 cm). Make sure the drain hose and the standpipe are not airtight.

NOTE

D: Hose retainer / E: Tie straps

Installation



⚠ CAUTION

- Connect the **hose guide (A)** within 6 in. (15 cm)* from the end of the drain hose. If the drain hose is extended beyond the end of the hose guide, moulds or microorganisms could spread inside the washer.
- The drain hose can be installed up to 96 in. (245 cm) high, but the draining capability can be reduced at the maximum height. Remaining water in the drain system may cause an odour.
- If the drain hose is installed less than 18 in. (46 cm) high, water can be drained during the process due to a siphon phenomenon. If this happens, an information code of '4E' appears on the display.

STEP 6 Power on

Plug the power cord into a wall socket featuring an AC 120 V / 60 Hz / 15 AMP approved electrical outlet protected by a fuse or circuit breaker. Then, press **Power** to turn on the washer.

Before you start

Initial settings

Run Calibration (recommended)

Calibration ensures accurate weight detection by the washer. Make sure the drum is empty before running Calibration.

1. Press **Power** to turn on the washer.
2. Press and hold **Temp.** and **Delay End** simultaneously for 3 seconds.
3. Press **Start/Pause** to start Calibration.
 - The door is locked during the operation.
 - The drum keeps rotating clockwise and anticlockwise for several minutes.
4. When complete, the washer turns off automatically.

Before you start

Laundry guidelines

STEP 1 Sort

Sort the laundry according to these criteria:

- Care Label: Sort the laundry into cottons, mixed fibres, synthetics, silks, wools, and rayon.
- Color: Separate whites from colors.
- Size: Mixing different sized items together in the drum improves the washing performance.
- Sensitivity: Wash delicate items separately using Delicates cycle for pure, new woollen items, curtains, and silk items. Check the labels on the items.

NOTE

Make sure to check the care label on the clothing, and sort them accordingly before starting the wash.

STEP 2 Empty pockets

Empty all the pockets of your laundry items

- Metal objects such as coins, pins, and buckles on clothing may damage other laundry items as well as the drum.

Turn clothing with buttons and embroideries inside out

- If pants or jacket zippers are open while washing, the drum may be damaged. Zippers should be closed and fixed with a string.
- Clothing with long strings may become entangled with other clothes. Make sure to tie the strings before starting the wash.

STEP 3 Use a laundry net

- Brassieres (water washable) must be placed in a laundry net. Metal parts of the brassieres may break through and tear other laundry items.
- Small, light clothing such as socks, gloves, stockings, and handkerchiefs may become caught around the door. Place them inside a fine laundry net.
- Do not wash the laundry net by itself without other laundry. This may cause abnormal vibrations that could move the washer and result in injury.

STEP 4 Determine the load capacity

Do not overload the washer. Overloading may cause the washer to not wash properly.

NOTE

When washing bedding or bedding covers, the wash time may be lengthened or the spin efficiency may be reduced. For bedding or bedding covers, the recommended maximum spin cycle speed is 800 rpm, and the load capacity is 2.0 kg or less.

CAUTION

If the laundry is unbalanced and the “Ub” information code is displayed, redistribute the load. Unbalanced laundry may reduce the spinning performance.

STEP 5 Apply a proper detergent type

The type of detergent depends on the type of fabric (cotton, synthetic, delicate items, wool), color, wash temperature, and degree of soiling. Always use “low suds” laundry detergent, which is designed for automatic washers.

NOTE

- Follow the detergent manufacturer’s recommendations based on the weight of the laundry, the degree of soiling, and the hardness of the water in your local area. If you are not sure about the water hardness, contact a local water authority.
- Do not use detergent that tends to be hardened or solidified. This detergent may remain after the rinse cycle, blocking the drain outlet.

CAUTION

When washing wool using the WOOL, use only a neutral liquid detergent. If used with WOOL, powder detergent may remain on the laundry and discolor the laundry.

Use HE detergent only



Your washer is designed to use high efficiency (HE) detergents.

- For the best cleaning results, use a high efficiency detergent such as Tide HE, Wisk HE, Cheer HE or Gain HE*. High efficiency detergents contain suds suppressors that reduce or eliminate suds. When fewer suds are produced, the load tumbles more efficiently and cleaning is maximized. (* Brand names are trademarks of their respective manufacturers.)

WARNING

Regular detergent is not recommended.
Use HE detergents only.

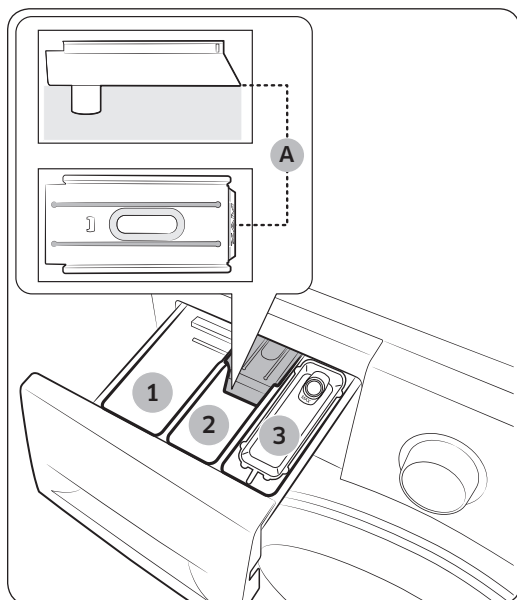
Before you start

Before you start

Detergent drawer guidelines

The washer provides a three-compartment dispenser: the first compartment for the main wash, the second for fabric softeners, and the third for liquid chlorine bleach.

Before you start



- 1. Main-wash compartment:** Apply main-wash detergent, water softener, soaking detergent, color-safe, non-chlorine bleach, and/or stain removers.
- 2. Softener compartment:** Apply fabric softener. Do not exceed the **max line (A)**.
- 3. Bleach compartment:** Apply liquid chlorine bleach.

⚠ CAUTION

- Do not open the detergent drawer while the washer is operating.
- Do not use the following types of detergent:
 - Tablet or capsule types
 - Ball or net types
- To prevent the compartment from clogging, concentrated or highly-enriched agents (fabric softener or detergent) must be diluted with water before being applied.

To apply washing agents to the detergent drawer

- 1.** Slide open the detergent drawer.
- 2.** Apply laundry detergent to the **main-wash compartment** as instructed or recommended by the manufacturer. To use liquid detergent, see page 31.
- 3.** Apply fabric softener to the **softener compartment**. Do not exceed the **max line (A)**.

⚠ CAUTION

Powder fabric softener is not recommended. Use liquid fabric softener only.

- 4.** Close the detergent drawer.

⚠ CAUTION

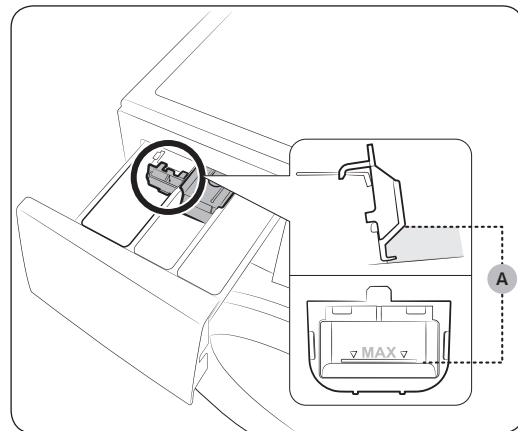
- Do not apply powder detergent to the liquid detergent container.
- Concentrated fabric softener must be diluted with water before applied.
- Do not apply main-wash detergent to the **softener compartment**.

To use liquid detergent

First insert the provided liquid container in the **main-wash compartment**. Then, apply liquid detergent to the container below the marked **max line (A)**.

⚠ CAUTION

Do not exceed the max line that is marked inside the container.
Remove the liquid container if using power detergent.

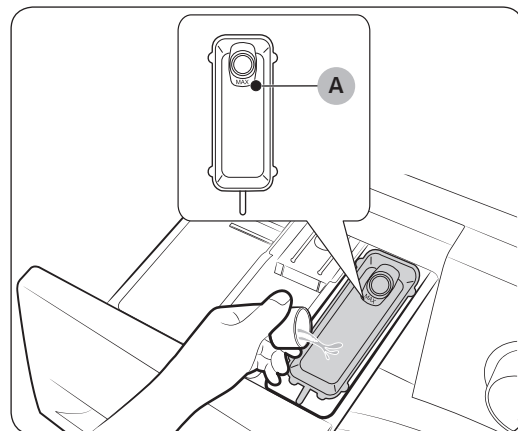


To use bleach compartment

First insert the provided **drawer bleach** in the **bleach compartment**.
Apply only liquid chlorine bleach to the **drawer bleach**. Do not exceed the **max line (A)**.

⚠ CAUTION

Do not apply undiluted liquid chlorine bleach directly onto the load or into the drum. It is a powerful chemical and can cause fabric damage, such as weakening of the fibers or color loss, if not used properly.



To use oxi-type boosters or color-safe bleach

Oxygen boosters or color-safe bleach can increase washing performance.
Make sure to add the oxygen booster or color-safe bleach after putting the laundry into the drum.

📄 NOTE

To use both powder detergent and powder oxygen booster or powder color-safe bleach, it is more effective to put them together into the drum before loading the laundry.

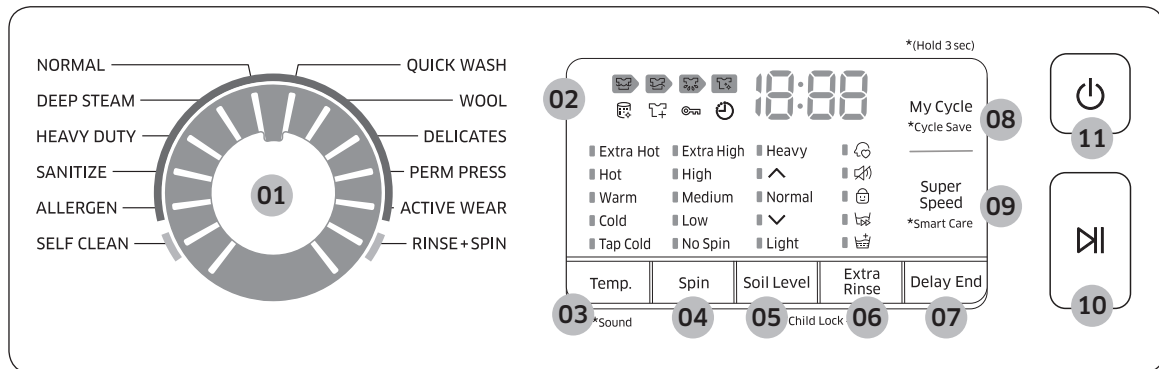
Before you start

Operations

⚠ WARNING

To reduce the risk of fire, electric shock, or injury to persons, read the IMPORTANT SAFETY INSTRUCTIONS before operating this appliance.

Feature panel

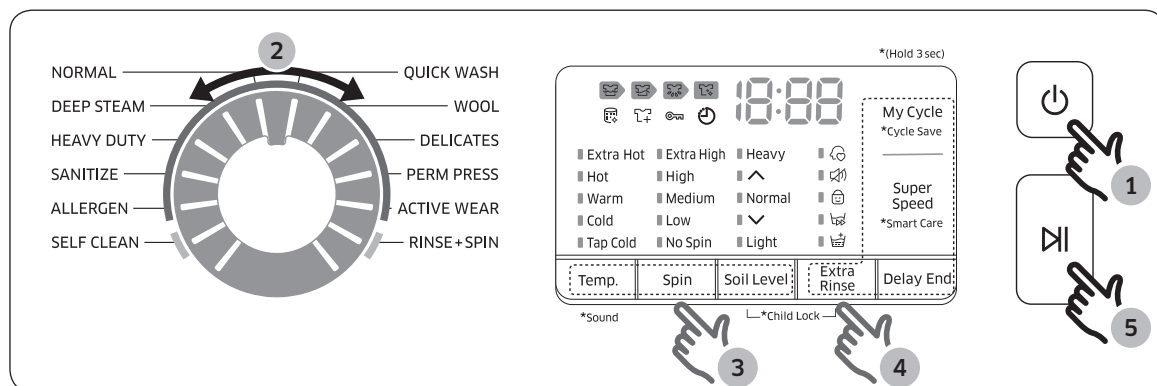


01 Cycle Selector	Turn the dial to select a cycle.
02 Display	The display shows current cycle information and estimated time remaining, or an information code when a problem occurs.
03 Temp.	<p>Press to change the water temperature for the current cycle.</p> <ul style="list-style-type: none"> • Extra Hot: Heavily soiled, colorfast items. Only available with the Normal, Heavy Duty, Sanitize and Self Clean cycle. • Hot: Whites and heavily soiled, colorfast items. • Warm: Colorfast items. • Cold: Brightly colored, very lightly soiled items. If cold water below 60°F/16°C supplied, can added hot water or heater on. • Top Cold: Cold water with no warm water added.

04 Spin	<p>Press to change the spinning speed for the current cycle.</p> <ul style="list-style-type: none"> • Extra High: Removes more water from loads during spin. To minimize wrinkling of wrinkle-free and no-iron fabrics, DO NOT use the Extra High spin option for these loads, nor overload your Washer. • High: Use for underwear, t-shirts and sturdy cottons. • Medium: Use for wrinkle-free or wash-and-wear items and synthetics. • Low: Use for jeans or delicate items needing a slow spin speed. • No Spin: The drum does not spin after the final drain process. • Rinse Hold (No lamp turns on): The final rinse process is suspended so that the laundry remains in the water. To unload the laundry, run a drain or spin process.
05 Soil Level	<p>Press the button to select the soil level/washing time.</p> <ul style="list-style-type: none"> • Heavy: For heavily soiled loads. • ^ • Normal: For moderately soiled loads. This setting is best for most loads. • ∇ • Light: For lightly soiled loads.
06 Extra Rinse	<p>Press this button to add an additional rinse at the end of the cycle to remove laundry additives more thoroughly.</p>
07 Delay End	<p>You can delay any cycle for up to 24 hours in one-hour increments. Displayed hour indicates the time at which the wash will be ended. (See page 37).</p>
08 My Cycle	<p>Choose your favorite cycle including temperature, spin, soil level, options, etc. (see page 39)</p>
09 Super Speed	<p>Press this button if you need to shorten the washing time, applicable for Normal, Deep steam, Heavy Duty or Allergen course. The shortened time may differ depending on the Cycles/Load/Option.</p>
10 Start/Pause	<p>Press to start or stop operation.</p>
11 Power	<p>Press to turn on/off the washer.</p>

Operations

Simple steps to start



1. Press **Power** to turn on the washer.
2. Turn the **Cycle Selector** to select a cycle.
3. Change the cycle settings (**Temp.**, **Spin**, and **Soil Level**) as necessary.
4. Select desired options as necessary.
5. Press **Start/Pause**.

To change the cycle during operation

1. Press **Start/Pause** to stop operation.
2. Select a different cycle.
3. Press **Start/Pause** again to start the new cycle.

WARNING

Do not place anything on top of your washer while it is running.

Cycle overview

Standard cycles

Cycle	Description
NORMAL	<ul style="list-style-type: none">For cottons, bed linens, table linens, underwear, towels, or shirts. The washing time and the rinse count are automatically adjusted according to the load.
DEEP STEAM	<ul style="list-style-type: none">For heavily soiled, colorfast garments, this cycle provides a high washing temperature and steam and is effective for cleaning stains. (See page 40).
HEAVY DUTY	<ul style="list-style-type: none">For sturdy, colorfast fabrics and heavily soiled items.
SANITIZE	<ul style="list-style-type: none">For heavily soiled, colorfast garments. This cycle heats the water to 150 °F to eliminate bacteria. <p>NOTE If you select pause during the heating portion of the Sanitize Cycle, your Washer door will remain locked for your safety. When selecting this cycle, the water heats to an extra high temperature to remove certain bacteria typically found on clothing, bedding, or towels. Please check the garment care label to avoid garment damage.</p>
ALLERGEN	<ul style="list-style-type: none">This course is applied to remove dust mites, pet dander or other allergic substances of the fabric.
SELF CLEAN	<ul style="list-style-type: none">Use to clean dirt and mold from the drum. Regular use (after every 40 washes) is recommended. No detergent or bleach is needed (see page 41).
RINSE+SPIN	<ul style="list-style-type: none">Use for loads that need rinsing only or to add rinse-aided fabric softener to a load.
ACTIVE WEAR	<ul style="list-style-type: none">Use this cycle to wash exercise wear such as sports jerseys, training pants, shirts/tops and other performance clothing. This cycle provides effective soil removal with gentle action for special fabric care.
PERM PRESS	<ul style="list-style-type: none">For wash-and-wear, synthetic fabrics, and lightly to normally soiled items.

Operations


Cycle	Description
DELICATES	<ul style="list-style-type: none"> For sheer fabrics, bras, lingerie (silk), and other handwash-only fabrics. For best performance, use liquid detergent.
WOOL	<p>For machine-washable wool. Loads should be under 8 pounds. For best results, we recommend a load of 4.4 pounds or less.</p> <ul style="list-style-type: none"> The Wool cycle washes laundry by moving the wash drum horizontally to maintain the characteristics of the wool fibers and to prevent damage to the cloth. It then stops for a while to allow the laundry to soak in the water. This pause in the operation of the Wool cycle is normal. We recommend you use a neutral detergent to prevent damage to the cloth and to improve the washing results.
QUICK WASH	<ul style="list-style-type: none"> For lightly soiled garments needed quickly.

Options

Option	Description
Extra Rinse	<ul style="list-style-type: none"> Add an additional rinse at the end of the cycle to remove laundry additives more thoroughly.
My Cycle	<ul style="list-style-type: none"> Choose your favorite cycle including temperature, spin, soil level, options, etc.
Super Speed	<ul style="list-style-type: none"> Press this button if you need to shorten the washing time, applicable for NORMAL, DEEP STEAM, HEAVY DUTY or ALLERGEN. The shortened time may differ depending on the selected cycle/load/options.
Delay End	<ul style="list-style-type: none"> The displayed time refers to the end time of a selected cycle.

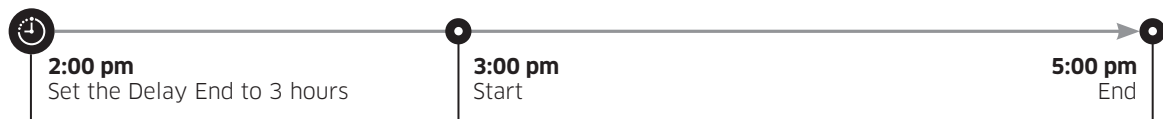
Delay End

You can set the washer to finish your wash automatically at a later time, choosing a delay of between 1 to 24 hours (in 1 hour increments). The hour displayed indicates the time the wash will finish.

1. Select a cycle. Then change the cycle settings if necessary.
2. Press **Delay End** repeatedly until a desired end time is set.
3. Press **Start/Pause**.
The  indicator turns on with the clock running.
4. To cancel the **Delay End**, restart the washer by pressing **Power**.

Real-life case


You want to finish a two-hour cycle 3 hours later from now. For this, you add the Delay End option to the current cycle with the 3-hour setting, and press **Start/Pause** at 2:00 p.m. Then, what happens? The washer starts operating at 3:00 p.m., and ends at 5:00 p.m. Provided below is the time line for this example.



Operations

Special features

Garment+

You can add or take out laundry items even after the wash has started, as long as the “” light is on. Pushing the **START/PAUSE** button unlocks the door, unless the water is too hot or if there is too much water in your washer. If you are able to unlock the door and wish to continue the wash cycle, close the door, and then press the **START/PAUSE** button.

Spin Only

If you press the **POWER** button and then press and hold the **Spin** button for 3 seconds, the spin time will be displayed on the display panel.

Then, press the **Spin** button repeatedly until the required spin level is selected, and then press the **START/PAUSE** button.

NOTE

- Before pressing the Spin Only button to use the Spin Only function, you can select a cycle with the Cycle Selector. If you have selected a cycle, you can only select the spin level corresponding to the selected cycle.

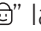

Child Lock

Child Lock prevents children from playing with your washer.

Once you have activated the Child Lock function, the control panel cannot be activated, preventing children from playing with the washer.


Activating the Child Lock function

Press and hold both the **Soil Level** and **Extra Rinse** buttons simultaneously for 3 seconds.

- When you activate the Child Lock function, the door locks and the “Child Lock ” lamp illuminates.
- If you press the **START/PAUSE** button after you have activated the Child Lock function, none of the buttons will work except for the **POWER** button.
- If you press a button when the buttons are locked, the “Child Lock ” lamp blinks.

Pausing the Child Lock function

When the door is locked or the buttons are locked by the Child Lock function, you can pause the Child Lock operation for 1 minute by pressing and holding both the **Soil Level** and **Extra Rinse** buttons simultaneously for approximately 3 seconds.


- If you pause the Child Lock mode temporarily, the door lock is released for 1 minute for user convenience. During this period, the “Child Lock ” lamp blinks.
- If you open the door after the minute is over, an alarm sounds for up to 2 minutes.
- If you close the door within the 2 minutes, the door is locked and the Child Lock function is reactivated. If you close the door after the 2 minutes, the door is not locked automatically and no alarm sounds.

Deactivating the Child Lock function

Press and hold both the Soil Level and Extra Rinse buttons simultaneously for approximately 6 seconds.

Or In “pausing the child lock function” status, press and hold both Soil Level and Extra Rinse buttons simultaneously for approximately 3 seconds more.

WARNING

- When you deactivate the Child Lock function, the door is unlocked and the “Child Lock ” is turned off.
- The Child Lock function prevents children or the infirm from accidentally operating the washer and injuring themselves.
- If a child enters the washing machine, the child may become trapped and suffocate.
- Once you have activated the Child Lock function, it continues working even if the power is turned off.
- Opening the door by force can result in injury due to damage to the product.

CAUTION

To add laundry after you have activated the Child Lock function, you must first pause or deactivate the Child Lock function.

NOTE

If you want to open the door of the washing machine when the Child Lock function is activated:

- Pause or deactivate the Child Lock function.
- Turn the washing machine off and then on again.

My Cycle

Create your own washing cycle with preferred settings, and use the cycle with one button.

To create your own cycle

1. Turn the **Cycle Selector** to select a cycle.
2. Change the cycle settings (**Temp.**, **Spin**, and **Soil Level**) as necessary.
3. To add an option, press the corresponding buttons.
4. Press and hold **My Cycle** for 3 seconds to save your settings. Applicable indicators blink for 3 seconds.

Once you save the cycle, you can use it by pressing My Cycle.


NOTE

If you press and release **My Cycle** within 3 seconds, the previously saved cycle and options appear.

Operations

Sound

Mute or unmute the sound.

- To mute or unmute the sound, press and hold the **Temp.** button for 3 seconds. When the sound is muted, the  indicator turns on.

Using Steam Wash

If you select Deep Steam course, the steam acts at the most effective times for the detected amount of laundry, maximizing the effect of the steam, increasing the wash temperature, enhancing the Soak effect, and improving wash performance.

1. Load the washer.
2. Press the **Power** button.
3. Turn the Cycle Selector and select a **Deep Steam** Course.
4. Add detergent to the dispenser tray and add fabric softener up to the marked line.
5. Press the **Start/Pause** button.

The washer automatically selects the optimal wash conditions by sensing the weight of the laundry.

NOTE

- Steam may not necessarily be visible during the steam cycles. Steam may not be present during the entire steam wash cycle.

ATC (Auto Temperature Control)

ATC enables the washer to control water temperatures in each washing process using the internal thermistor. It is designed to maintain a certain level of washing temperature for best results.

NOTE

- If you select NORMAL or HEAVY DUTY, you may notice the washer supplying cold water. This is normal because the machine is designed to reduce power consumption.
- In these cycles, the Hot temperature is similar to bath-water temperatures, and the Warm temperature to comfortable swimming pool temperatures.
- To wash clothes at a specific temperature, you must choose a different cycle first.

Maintenance

Keep the washer clean to prevent deteriorated performance and to preserve its life cycle.

Self Clean

Perform this cycle regularly to clean the drum and to remove bacteria from it.

1. Press **Power** to turn on the washer.
2. Press **Self Clean**.
3. Press **Start/Pause**.

NOTE

The water temperature for **Self Clean** is set to **Extra Hot**, which cannot be changed.

CAUTION

Do not use any cleaning agents for cleaning the drum. Chemical residue in the drum deteriorates the washing performance.

Self Clean reminder

- The **Self Clean** reminder appears on the main screen once every 40 washes. It is advisable to perform the **Self Clean** regularly.
- When you first see this reminder, you can ignore the reminder for 6 consecutive washes. From the 7th wash, the reminder no longer appears. However, it appears again on the second 40th wash.

Maintenance

Smart Care

To enable this function, you must first download the Samsung Smart Washer at the Play Store or the Apple Store, and install it on a mobile device featuring the camera operation.

The Smart Care function has been optimized for:

Galaxy & iPhone series (cannot be supported for some models)

The washer runs the self-diagnosis in the background, and displays an information code if an error is found. If this is the case, follow the steps below:

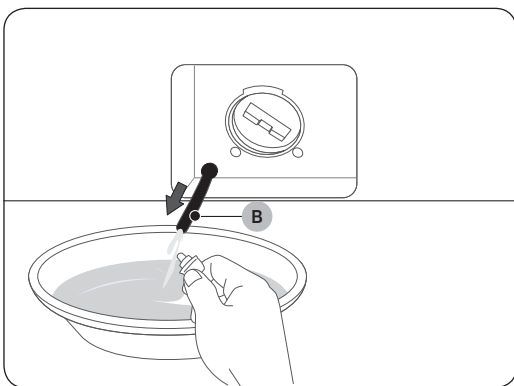
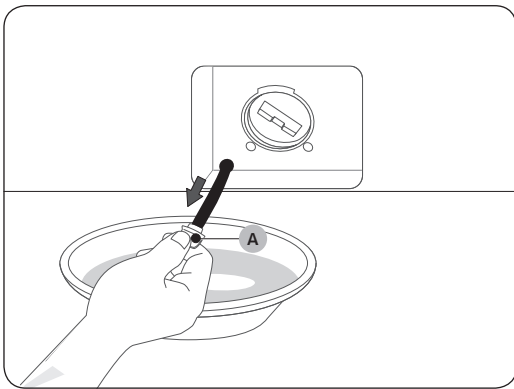
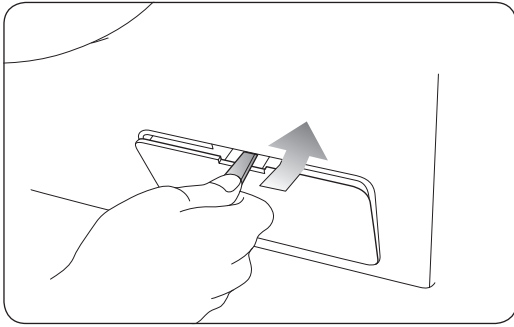
1. Run the Samsung Smart Washer app on your mobile device, then press and hold the **Super Speed** button for 3 seconds within 10 seconds after turning the power on by pressing the **Power** button.
2. Present the mobile device to the washer's display panel so that the mobile device and the washer face each other. Then, the information code will be recognized automatically by the app.
3. When the information code is recognized correctly, the app provides detailed information for the error with further actions.

NOTE

- The function name, Smart Care, may differ depending on the language.
- If the washer reflects light on the display, the app may fail to recognize the information code.
- If the app fails to recognize the Smart Care code consecutively, enter the information code manually onto the app screen.

Emergency drain

In case of a power failure, drain the water inside the drum before taking out the laundry.



1. Power off and unplug the washer from the electrical outlet.
2. Gently press the top area of the filter cover to open.

3. Put an empty, spacious container around the cover, and stretch the emergency drain tube to the container while holding the **tube cap (A)**.

4. Open the tube cap and let water in the **Emergency drain tube (B)** flow into the container.

5. When done, close the tube cap, and reinsert the tube. Then, close the filter cover.

NOTE

Use a spacious container because the water in the drum may be more than expected.

Maintenance

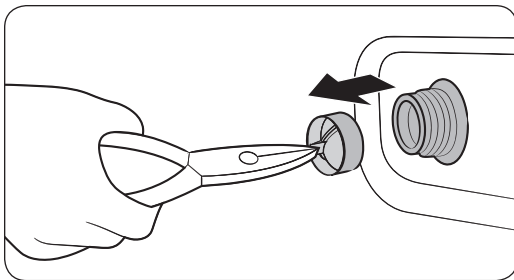
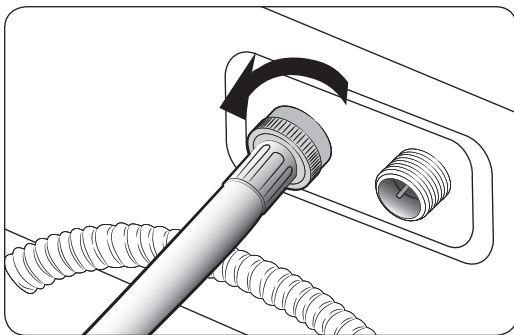
Cleaning

Surface of the washer

Use a soft cloth with a nonabrasive household detergent. Do not spray water onto the washer.

Mesh filter

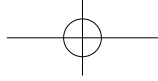
Clean the mesh filter of the water hose once or twice a year.



1. Turn off the washer, and unplug the power cord.
2. Close the faucet.
3. Loosen and disconnect the water hose from the back of the washer. Cover the hose with a cloth to prevent water from gushing out.
4. Use pliers to pull out the mesh filter from the inlet valve.
5. Submerge the mesh filter deeply in water so that the threaded connector is also submerged.
6. Dry the mesh filter completely in the shade.
7. Reinsert the mesh filter into the inlet valve, and reconnect the water hose to the inlet valve.
8. Open the faucet.

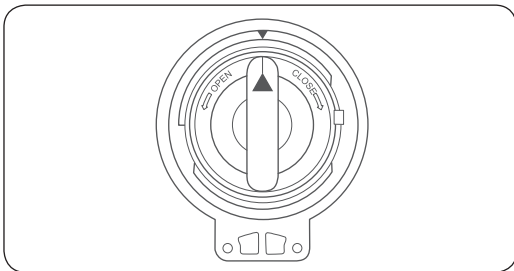
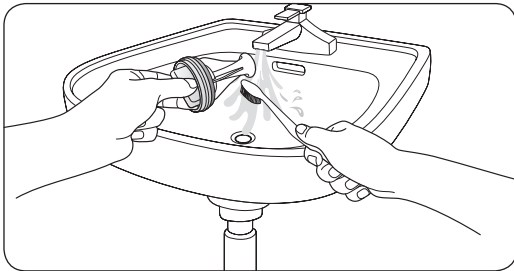
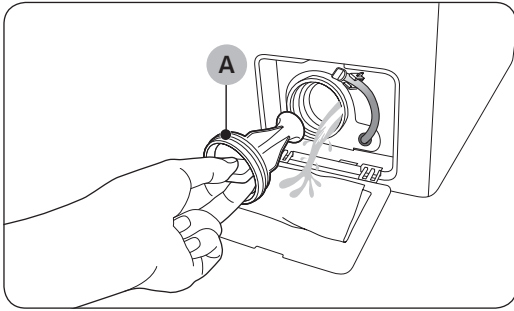
NOTE

If the mesh filter is clogged, an information code of “4C” appears on the screen.



Pump filter

It is advisable to clean the pump filter 5 or 6 times a year to prevent its clogging.



1. Turn off the washer, and unplug the power cord.
2. Drain the remaining water inside the drum. See the “Emergency drain” section.
3. Open the filter cover using a coin or key.
4. Turn the **pump filter knob (A)** to the left, and drain off the remaining water.
5. Clean the pump filter using soft brushes. Make sure the drain pump propeller inside the filter is unclogged.
6. Reinsert the pump filter, and turn the filter knob to the right.

NOTE

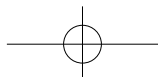
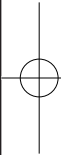
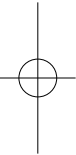
- Some pump filters feature a safety knob that is designed to prevent accidents by children. To open the safety knob of the pump filter, push in and turn it anticlockwise. The spring mechanism of the safety knob helps open the filter.
- To close the safety knob of the pump filter, turn it clockwise. The spring makes a rattling sound, which is normal.

NOTE

If the pump filter is clogged, an information code of “5C” appears on the screen.

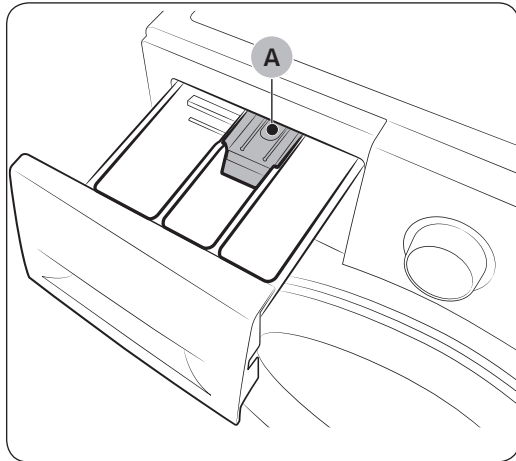
CAUTION

- Make sure the filter knob is closed properly after cleaning the filter. Otherwise, this may cause a leak.
- Make sure the filter is inserted properly after cleaning it. Otherwise, this may cause an operational failure or a leak.

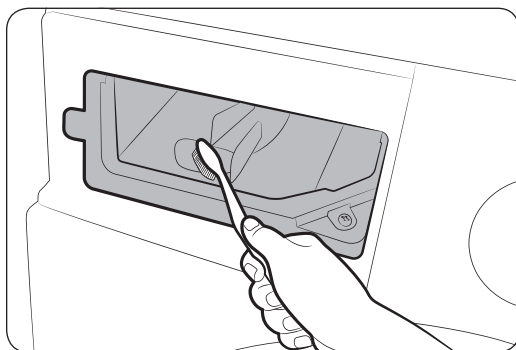


Maintenance

Detergent drawer



1. While holding down the **release lever (A)** inside the drawer, slide open the drawer.
2. Remove the **release lever** and the **Liquid detergent guide** from the drawer.
3. Clean the drawer components in flowing water using a soft brush.

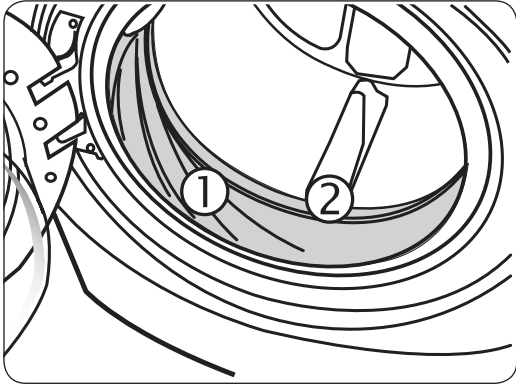


4. Clean the drawer recess using a soft brush.
5. Reinsert the **release lever** and the **Liquid detergent container** to the drawer.
6. Slide the drawer inward to close it.

NOTE

To remove remaining detergent, perform the **RINSE+SPIN** cycle with the drum being empty.

Door diaphragm



1. Open the washer door and remove any clothing or items from the washer.
2. Check if there are any foreign substances on the grey Diaphragm ① between the lid and the drum. To check this, turn the Diaphragm ② out.
3. If there are any foreign substances, remove them.
4. If you find stained areas, wipe them down using the procedure below:
 - a) Carefully combine $\frac{3}{4}$ cup (177 mL) of liquid chlorine bleach with 1 gal. (3.8 L) of warm tap water.
 - b) Wipe the Diaphragm area with the dilute solution using a damp cloth.
 - c) Let stand 5 minutes.
 - d) Wipe down the area thoroughly with a dry cloth and let the washer interior air dry with the door open.

CAUTION

Wear rubber gloves when cleaning for prolonged periods.
Refer to the bleach manufacturer's instructions for proper use.

Recovery from freezing

The washer may freeze when it drops below 0 °C.

1. Turn off the washer, and unplug the power cord.
2. Pour warm water over the faucet to loosen the water hose.
3. Disconnect the water hose, and soak it in warm water.
4. Pour warm water into the drum and leave it for about 10 minutes.
5. Reconnect the water hose to the faucet.

NOTE

If the washer still doesn't operate normally, repeat the above steps until it operates normally.

Maintenance

Care against an extended time of disuse

Avoid leaving the washer unused for an extended time. If this is the case, drain the washer and unplug the power cord.

1. Turn the **Cycle Selector** to select **RINSE+SPIN**.
2. Empty the drum, and press **Start/Pause**.
3. When the cycle is complete, close the faucet and disconnect the water hose.
4. Turn off the washer, and unplug the power cord.
5. Open the door to let air circulate through the drum.

Cleaning the exterior

1. Turn off the water faucets after finishing the day's washing.
This will shut off the water supply to your washer and prevent the unlikely possibility of damage from escaping water. Leave the door open to allow the inside of your washer to dry out.
2. Use a soft cloth to wipe up all detergent, bleach or other spills as they occur.
Clean the following as recommended below:
 - Control Panel - Clean with a soft, damp cloth. Do not use abrasive powders or cleaning pads. Do not spray.
 - cleaners directly on the panel.

Cleaning the interior

Clean the interior of your washer periodically to remove any dirt, soil, odor, mold, mildew, or bacterial residue that may remain in your washer as a result of washing clothes.

CAUTION

Failure to follow these instructions may result in unpleasant conditions, including odors and/or permanent stains on your washer or laundry.

NOTE

Hard water deposits may be removed, if needed. Use a cleaner labeled "Washer safe".

Troubleshooting

Checkpoints

If you encounter a problem with the washer, first check the table below and try the suggestions.

Problem	Action
Does not start.	<ul style="list-style-type: none"> • Make sure the washer is plugged in. • Make sure the door is properly closed. • Make sure the faucets are open. • Make sure to press or tap Start/Pause to start the washer. • Make sure Child Lock is not activated. • Before the washer starts to fill, it will make a series of clicking noises to check the door lock and does a quick drain. • Check the fuse or reset the circuit breaker.
Water supply is insufficient, or no water is supplied.	<ul style="list-style-type: none"> • Fully open the faucet. • Make sure the door is properly closed. • Make sure the water supply hose is not frozen. • Make sure the water supply hose is not kinked or clogged. • Make sure there is sufficient water pressure.
After a cycle, detergent remains in the detergent drawer.	<ul style="list-style-type: none"> • Make sure the washer is running with sufficient water pressure. • Make sure the detergent is added to the center of the detergent drawer. • Make sure the rinse cap is inserted properly. • If using granular detergent, make sure the detergent selector is in the upper position. • Remove the rinse cap and clean the detergent drawer.
Excessive vibrations or makes noise.	<ul style="list-style-type: none"> • Make sure the washer is installed on a level, solid floor that is not slippery. If the floor is not level, use the levelling feet to adjust the height of the washer. • Make sure the shipping bolts are removed. • Make sure the washer is not contacting any other object. • Make sure the laundry load is balanced. • The motor can cause noise during normal operation. • Overalls or metal-decorated clothes can cause noise while being washed. This is normal. • Metal objects such as coins can cause noise. After washing, remove these objects from the drum or filter case.

Troubleshooting

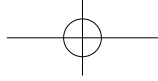
Problem	Action
Does not drain and/or spin.	<ul style="list-style-type: none"> • Make sure the drain hose is straightened all the way to the drain system. If you encounter a drain restriction, call for service. • Make sure the debris filter is not clogged. • Close the door and press or tap Start/Pause. For your safety, the washer will not tumble or spin unless the door is closed. • Make sure the drain hose is not frozen or clogged. • Make sure the drain hose is connected to a drain system that is not clogged. • If the washer is not supplied with sufficient power, the washer temporarily will not drain or spin. As soon as the washer regains sufficient power, it will operate normally.
The door does not open.	<ul style="list-style-type: none"> • Press or tap Start/Pause to stop the washer. • It may take a few moments for the door lock mechanism to disengage. • The door will not open until 3 minutes after the washer has stopped or the power turned off. • Make sure all the water in the drum is drained. • The door may not open if water remains in the drum. Drain the drum and open the door manually. • Make sure the door lock light is off. The door lock light turns off after the washer has drained.
Excessive suds.	<ul style="list-style-type: none"> • Make sure you use the recommended types of detergent as appropriate. • Use high efficiency (HE) detergent to prevent oversudsing. • Reduce the detergent amount for soft water, small loads, or lightly soiled loads. • Non-HE detergent is not recommended.
Cannot apply additional detergent.	<ul style="list-style-type: none"> • Make sure the remaining amount of detergent and fabric softener is not over the limit.

Problem	Action
<p>Stops.</p>	<ul style="list-style-type: none"> • Plug the power cord into a live electrical outlet. • Check the fuse or reset the circuit breaker. • Close the door and press the Start/Pause button to start the washer. For your safety, the washer will not tumble or spin unless the door is closed. • Before the washer starts to fill, it will make a series of clicking noises to check the door lock and does a quick drain. • There may be a pause or soak period in the cycle. Wait briefly and the washer may start. • Make sure the mesh filter of the water supply hose at the faucets is not clogged. Periodically clean the mesh filter. • If the washer is not supplied with sufficient power, the washer temporarily will not drain or spin. As soon as the washer regains sufficient power, it will operate normally.
<p>Fills with the wrong water temperature.</p>	<ul style="list-style-type: none"> • Fully open both taps. • Make sure the temperature selection is correct. • Make sure the hoses are connected to the correct taps. Flush water lines. • Make sure the water heater is set to supply a minimum 120 °F (49 °C) hot water at the tap. Also, check the water heater capacity and recovery rate. • Disconnect the hoses and clean the mesh filter. The mesh filter may be clogged. • While the washer fills, the water temperature may change as the automatic temperature control feature checks incoming water temperature. This is normal. • While the washer fills, you may notice just hot and/or just cold water going through the dispenser when cold or warm temperatures are selected. This is a normal function of the automatic temperature control feature as the washer determines the water temperature.
<p>Load is wet at the end of a cycle.</p>	<ul style="list-style-type: none"> • Use the High or Extra High spin speed. • Use high efficiency (HE) detergent to reduce oversudsing. • Load is too small. Small loads (one or two items) may become unbalanced and not spin completely. • Make sure the drain hose is not kinked or clogged.

Troubleshooting

Problem	Action
Leaks water.	<ul style="list-style-type: none">• Make sure the door is properly closed.• Make sure all hose connections are tight.• Make sure the end of the drain hose is correctly inserted and secured to the drain system.• Avoid overloading.• Use high efficiency (HE) detergent to prevent oversudsing.
Has odours.	<ul style="list-style-type: none">• Excessive suds collect in recesses and can cause foul odours.• Run cleansing cycles to sanitize periodically.• Clean the door seal (diaphragm).• Dry the washer interior after a cycle has finished.
No bubbles are seen (BubbleShot models only).	<ul style="list-style-type: none">• Overloading may screen bubbles.• Severely contaminated laundry may not generate bubbles.

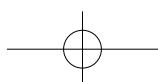
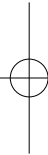
If a problem persists, contact a local Samsung service center.



Information codes

If the washer fails to operate, you may see an information code on the screen. Check the table below and try the suggestions.

Code	Action
4C	<p>Water is not supplied.</p> <ul style="list-style-type: none"> • Make sure the faucets are open. • Make sure the water hoses are not clogged. • Make sure the faucets are not frozen. • Make sure the washer is operating with sufficient water pressure. • Make sure that the cold faucet and the hot faucet are properly connected. • Clean the mesh filter as it may be clogged.
4C2	<ul style="list-style-type: none"> • Make sure the cold water supply hose is firmly connected to the cold faucet. If it is connected to the hot faucet, the laundry may be deformed with some cycles.
5C	<p>Water is not draining.</p> <ul style="list-style-type: none"> • Make sure the drain hose is not frozen or clogged. • Make sure the drain hose is positioned correctly, depending on the connection type. • Clean the debris filter as it may be clogged. • Make sure the drain hose is straightened all the way to the drain system. • If the information code remains, contact a customer service center.
dC	<p>Operating the washer with the door open.</p> <ul style="list-style-type: none"> • Make sure the door is properly closed. • Make sure laundry is not caught in the door.
OC	<p>Water has overflowed.</p> <ul style="list-style-type: none"> • Restart after spinning. • If the information code remains on the display, contact a local Samsung service center.
LC, LC1	<p>Check the drain hose.</p> <ul style="list-style-type: none"> • Make sure the end of the drain hose is placed on the floor. • Make sure the drain hose is not clogged. • If the information code remains, contact a customer service center.



Troubleshooting

Code	Action
Ub	<p>Spinning does not work.</p> <ul style="list-style-type: none"> • Make sure laundry is spread out evenly. • Make sure the washer is on a flat, stable surface. • Redistribute the load. If only one item of clothing needs washing, such as a bathrobe or pair of jeans, the final spin result might be unsatisfactory, and an “Ub” check message will be shown in the display.
3C	<p>Check the motor for operation.</p> <ul style="list-style-type: none"> • Try restarting the cycle. • If the information code remains, contact a customer service center.
UC	<p>The electronic control needs to be checked.</p> <ul style="list-style-type: none"> • Check if power is supplied properly. • If the information code remains, contact a customer service center.
	<p>Low voltage detected.</p> <ul style="list-style-type: none"> • Check if the power cord is plugged in. • If the information code remains, contact a customer service center.
HC	<p>High temperature heating check.</p> <ul style="list-style-type: none"> • If the information code remains, contact a customer service center.
1C	<p>The Water Level sensor is not working properly.</p> <ul style="list-style-type: none"> • Turn the machine off, and restart the cycle. • If the information code remains, contact a customer service center.
AC	<p>Check communications between main and sub PBAs.</p> <ul style="list-style-type: none"> • Turn the machine off, and restart the cycle. • If the information code remains, contact a customer service center.

If any information code keeps appearing on the screen, contact a local Samsung service center.

Specifications

Fabric care chart

The following symbols provide garment care direction. The clothing care labels include symbols for drying, bleaching, drying and ironing, or dry cleaning when necessary. The use of symbols ensures consistency among garment manufacturers of domestic and imported items. Follow care label directions to optimize garment life and reduce laundering problems.

Wash cycle

	Normal
	Permanent press/Wrinkle resistant/Wrinkle control
	Gentle/Delicates
	Hand wash

Water temperature

...	Hot
..	Warm
.	Cold

NOTE

This represents appropriate wash water temperatures for various items. The temperature range for Hot below 135°F/57°C, for Warm below 105°F/41°C and for Cold below 85°F/29°C. (Wash water temperature must be a minimum of 16 °C for detergent activation and effective cleaning.)

Bleach

	Any bleach (when needed)
	Only non-chlorine (color-safe) bleach (when needed)
	Tumble dry

Normal

	Permanent press/Wrinkle resistant/Wrinkle control
	Gentle/Delicates

Special instructions


	Line dry/Hang to dry
	Drip dry
	Dry flat



Heat setting

	High
	Medium
	Low
	Any heat
	No heat / Air





Specifications

Iron dry or steam temperatures




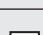
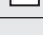
	High
	Medium
	Low

	No steam (added to iron)
	Do not iron

Warning symbols for laundering

	Do not wash
	Do not wring
	Do not bleach
	Do not tumble dry

Dry-clean

	Dry-clean
	Do not dry-clean
	Line dry / Hang to dry
	Drip dry
	Dry flat

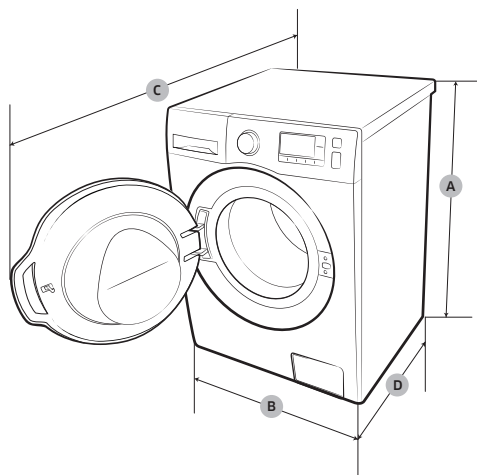
Protecting the environment

- This appliance is manufactured from recyclable materials. If you decide to dispose of it, please observe local waste disposal regulations. Cut off the power cord so that the appliance cannot be connected to a power source. Remove the lid so that animals and small children cannot get trapped inside the appliance.
- Do not exceed the detergent quantities recommended in the detergent manufacturers' instructions.
- Use stain removal products and bleaches before the wash cycle only when necessary.
- Save water and electricity by only washing full loads (the exact amount depends upon the program used).

Declaration of conformity

This appliance complies with UL2157.

Specification sheet



Type		Front loading washer	
Dimensions (inches (mm))	A. Height-overall	33.5 (850)	
	B. Width	23.6 (600)	
	C. Depth with door open	43.3 (1100)	
	D. Depth	26.6 (675)	
Water pressure (psi (kPa))		20 - 116 (137 - 800)	
NET weight (lb (kg))		156 (71)	
Spin revolution		1400 rpm	
Heater rating (W)		900	
Heater rating	Washing	120 V	200 W
	Washing and heating	120 V	1150 W
	Spin	120 V	550 W
	Drain	120 V	80 W

Specifications

Specifications

Cycle chart

Use this chart to set the best cycle and options for you laundry.

NOTE

Setting	Temp.	Spin	Soil Level
●: factory setting	EH: Extra Hot	EH: Extra High	H: Heavy
●: can be selected	H: Hot	H: High	^
	W: Warm	M: Medium	N: Normal
	C: Cold	L: Low	∨
	TC: Tap Cold	NS: No Spin	L: Light

WW22K6800A*

Cycle	Temp.					Spin					Soil Level				
	EH	H	W	C	TC	EH	H	M	L	NS	H	^	N	∨	L
NORMAL	●	●	●	●	●	●	●	●	●	●	●	●	●	●	●
DEEP STEAM		●				●	●	●	●	●	●				
HEAVY DUTY	●	●	●	●	●	●	●	●	●	●	●	●	●	●	●
SANITIZE	●					●	●	●	●	●	●	●	●	●	●
ALLERGEN		●				●	●	●	●	●	●	●	●	●	●
SELF CLEAN	●								●						
RINSE + SPIN						●	●	●	●	●					
ACTIVE WEAR			●	●	●				●	●	●	●	●	●	●
PERM PRESS			●	●	●		●	●	●	●	●	●	●	●	●
DELICATES			●	●	●				●	●	●	●	●	●	●
WOOL			●	●	●				●	●			●		
QUICK WASH		●	●	●	●	●	●	●	●	●	●	●	●	●	●

Cycle	Options				
	Extra Rinse	Super Speed	My cycle	Delay End	Sound
NORMAL	●	●	●	●	●
DEEP STEAM	●	●	●	●	●
HEAVY DUTY	●	●	●	●	●
SANITIZE	●		●	●	●
ALLERGEN	●	●	●	●	●
SELF CLEAN				●	●
RINSE + SPIN	●		●	●	●
ACTIVE WEAR	●		●	●	●
PERM PRESS	●		●	●	●
DELICATES	●		●	●	●
WOOL			●	●	●
QUICK WASH	●		●	●	●

Warranty (U.S.A)

SAMSUNG WASHER

LIMITED WARRANTY TO ORIGINAL PURCHASER

This SAMSUNG brand product, as supplied and distributed by SAMSUNG ELECTRONICS AMERICA, INC. (SAMSUNG) and delivered new, in the original carton to the original consumer purchaser, is warranted by SAMSUNG against manufacturing defects in materials and workmanship for a limited warranty period of:

One (1) year part and labor, Three (3) years stainless tub part (Part Only), Ten (10) years washing DD motor part (Part Only)

This limited warranty begins on the original date of purchase, and is valid only on products purchased and used in the United States. To receive warranty service, the purchaser must contact SAMSUNG for problem determination and service procedures. Warranty service can only be performed by a SAMSUNG authorized service center. The original dated bill of sale must be presented upon request as proof of purchase to SAMSUNG or SAMSUNG's authorized service center. SAMSUNG will provide in-home service during the warranty period at no charge, subject to availability within the contiguous United States. In-home service is not available in all areas.

To receive in-home service, product must be unobstructed and accessible to the service agent. If service is not available, SAMSUNG may elect to provide transportation of the product to and from an authorized service center.

SAMSUNG will repair, replace, or refund this product at our option and at no charge as stipulated herein, with new or reconditioned parts or products if found to be defective during the limited warranty period specified above. All replaced parts and products become the property of SAMSUNG and must be returned to SAMSUNG. Replacement parts and products assume the remaining original warranty, or ninety (90) days, whichever is longer. This limited warranty covers manufacturing defects in materials and workmanship encountered in normal, noncommercial use of this product and shall not apply to the following: damage that occurs in shipment; delivery and installation; applications and uses for which this product was not intended; altered product or serial numbers; cosmetic damage or exterior finish; accidents, abuse, neglect, fire, water, lightning, or other acts of nature or God; use of products, equipment, systems, utilities, services, parts, supplies, accessories, applications, installations, repairs, external wiring or connectors not supplied or authorized by SAMSUNG that damage this product or result in service problems; incorrect electrical line voltage, fluctuations and surges; customer adjustments and failure to follow operating instructions, maintenance and environmental instructions that are covered and prescribed in the instruction book; product removal and reinstallation; problems caused by pest infestations. This limited warranty does not cover problems resulting from incorrect electric current, voltage or supply, light bulbs, house fuses, house wiring, cost of a service call for instructions, or fixing installation errors. SAMSUNG does not warrant uninterrupted or error-free operation of the product.

EXCEPT AS SET FORTH HEREIN, THERE ARE NO WARRANTIES ON THIS PRODUCT EITHER EXPRESS OR IMPLIED, AND SAMSUNG DISCLAIMS ALL WARRANTIES INCLUDING, BUT NOT LIMITED TO, ANY IMPLIED WARRANTIES OF MERCHANTABILITY, INFRINGEMENT OR FITNESS FOR A PARTICULAR PURPOSE.

Warranty (U.S.A)

NO WARRANTY OR GUARANTEE GIVEN BY ANY PERSON, FIRM, OR CORPORATION WITH RESPECT TO THIS PRODUCT SHALL BE BINDING ON SAMSUNG. SAMSUNG SHALL NOT BE LIABLE FOR LOSS OF REVENUE OR PROFITS, FAILURE TO REALIZE SAVINGS OR OTHER BENEFITS, OR ANY OTHER SPECIAL, INCIDENTAL OR CONSEQUENTIAL DAMAGES CAUSED BY THE USE, MISUSE, OR INABILITY TO USE THIS PRODUCT, REGARDLESS OF THE LEGAL THEORY ON WHICH THE CLAIM IS BASED, AND EVEN IF SAMSUNG HAS BEEN ADVISED OF THE POSSIBILITY OF SUCH DAMAGES.

NOR SHALL RECOVERY OF ANY KIND AGAINST SAMSUNG BE GREATER IN AMOUNT THAN THE PURCHASE PRICE OF THE PRODUCT SOLD BY SAMSUNG AND CAUSING THE ALLEGED DAMAGE. WITHOUT LIMITING THE FOREGOING, PURCHASER ASSUMES ALL RISK AND LIABILITY FOR LOSS, DAMAGE, OR INJURY TO PURCHASER AND PURCHASER'S PROPERTY AND TO OTHERS AND THEIR PROPERTY ARISING OUT OF THE USE, MISUSE, OR INABILITY TO USE THIS PRODUCT. THIS LIMITED WARRANTY SHALL NOT EXTEND TO ANYONE OTHER THAN THE ORIGINAL PURCHASER OF THIS PRODUCT, IS NONTRANSFERABLE AND STATES YOUR EXCLUSIVE REMEDY.

Some states do not allow limitations on how long an implied warranty lasts, or the exclusion or limitation of incidental or consequential damages, so the above limitations or exclusions may not apply to you. This warranty gives you specific rights, and you may also have other rights, which vary from state to state.

To obtain warranty service, please contact SAMSUNG at:

Samsung Electronics America, Inc.

85 Challenger Road

Ridgefield Park, NJ 07660

1-800-SAMSUNG (726-7864)

www.samsung.com/us/support

Visits by a Service Engineer to explain functions, maintenance or installation is not covered by warranty.

Please contact your Samsung call agent for help with any of these issues.

Warranty (CANADA)

SAMSUNG WASHER

LIMITED WARRANTY TO ORIGINAL PURCHASER

This SAMSUNG brand product, as supplied and distributed by SAMSUNG ELECTRONICS CANADA, INC. (SAMSUNG) and delivered new, in the original carton to the original consumer purchaser, is warranted by SAMSUNG against manufacturing defects in materials and workmanship for a limited warranty period of:

One (1) year part and labor, Ten (10) years washing DD motor (Part only)

This limited warranty begins on the original date of purchase, and is valid only on products purchased and used in the Canada. To receive warranty service, the purchaser must contact SAMSUNG for problem determination and service procedures. Warranty service can only be performed by a SAMSUNG authorized service center. The original dated bill of sale must be presented upon request as proof of purchase to SAMSUNG or SAMSUNG's authorized service center. SAMSUNG will provide in-home service during the warranty period at no charge, subject to availability within the Canada. In-home service is not available in all areas.

To receive in-home service, product must be unobstructed and accessible to the service agent. If service is not available, SAMSUNG may elect to provide transportation of the product to and from an authorized service center.

Warranty (CANADA)

SAMSUNG will repair, replace, or refund this product at our option and at no charge as stipulated herein, with new or reconditioned parts or products if found to be defective during the limited warranty period specified above. All replaced parts and products become the property of SAMSUNG and must be returned to SAMSUNG. Replacement parts and products assume the remaining original warranty, or ninety (90) days, whichever is longer. This limited warranty covers manufacturing defects in materials and workmanship encountered in normal, noncommercial use of this product and shall not apply to the following: damage that occurs in shipment; delivery and installation; applications and uses for which this product was not intended; altered product or serial numbers; cosmetic damage or exterior finish; accidents, abuse, neglect, fire, water, lightning, or other acts of nature or God; use of products, equipment, systems, utilities, services, parts, supplies, accessories, applications, installations, repairs, external wiring or connectors not supplied or authorized by SAMSUNG that damage this product or result in service problems; incorrect electrical line voltage, fluctuations and surges; customer adjustments and failure to follow operating instructions, maintenance and environmental instructions that are covered and prescribed in the instruction book; product removal and reinstallation; problems caused by pest infestations. This limited warranty does not cover problems resulting from incorrect electric current, voltage or supply, light bulbs, house fuses, house wiring, cost of a service call for instructions, or fixing installation errors. SAMSUNG does not warranty uninterrupted or error-free operation of the product.

EXCEPT AS SET FORTH HEREIN, THERE ARE NO WARRANTIES ON THIS PRODUCT EITHER EXPRESS OR IMPLIED, AND SAMSUNG DISCLAIMS ALL WARRANTIES INCLUDING, BUT NOT LIMITED TO, ANY IMPLIED WARRANTIES OF MERCHANTABILITY, INFRINGEMENT OR FITNESS FOR A PARTICULAR PURPOSE.

NO WARRANTY OR GUARANTEE GIVEN BY ANY PERSON, FIRM, OR CORPORATION WITH RESPECT TO THIS PRODUCT SHALL BE BINDING ON SAMSUNG. SAMSUNG SHALL NOT BE LIABLE FOR LOSS OF REVENUE OR PROFITS, FAILURE TO REALIZE SAVINGS OR OTHER BENEFITS, OR ANY OTHER SPECIAL, INCIDENTAL OR CONSEQUENTIAL DAMAGES CAUSED BY THE USE, MISUSE, OR INABILITY TO USE THIS PRODUCT, REGARDLESS OF THE LEGAL THEORY ON WHICH THE CLAIM IS BASED, AND EVEN IF SAMSUNG HAS BEEN ADVISED OF THE POSSIBILITY OF SUCH DAMAGES.

NOR SHALL RECOVERY OF ANY KIND AGAINST SAMSUNG BE GREATER IN AMOUNT THAN THE PURCHASE PRICE OF THE PRODUCT SOLD BY SAMSUNG AND CAUSING THE ALLEGED DAMAGE. WITHOUT LIMITING THE FOREGOING, PURCHASER ASSUMES ALL RISK AND LIABILITY FOR LOSS, DAMAGE, OR INJURY TO PURCHASER AND PURCHASER'S PROPERTY AND TO OTHERS AND THEIR PROPERTY ARISING OUT OF THE USE, MISUSE, OR INABILITY TO USE THIS PRODUCT. THIS LIMITED WARRANTY SHALL NOT EXTEND TO ANYONE OTHER THAN THE ORIGINAL PURCHASER OF THIS PRODUCT, IS NONTRANSFERABLE AND STATES YOUR EXCLUSIVE REMEDY.

Some provinces do not allow limitations on how long an implied warranty lasts, or the exclusion or limitation of incidental or consequential damages, so the above limitations or exclusions may not apply to you.

This warranty gives you specific rights, and you may also have other rights, which vary from province to province.

To obtain warranty service, please contact SAMSUNG at:

Samsung Electronics Canada Inc.

2050 Derry Road West,

Mississauga, Ontario L5N 0B9 Canada.

1-800-SAMSUNG (726-7864)

www.samsung.com/ca/support (English)

www.samsung.com/ca_fr/support (French)

FAX : 1-866-436-4617

Visits by a Service Engineer to explain functions, maintenance or installation is not covered by warranty.

Please contact your Samsung call agent for help with any of these issues.

Memo

Memo

SAMSUNG



Scan the QR code* or visit
www.samsung.com/spsn
to view our helpful
How-to Videos and Live Shows

*Requires reader to be installed on your smartphone

Scan this with your smartphone

QUESTIONS OR COMMENTS?

COUNTRY	CALL	OR VISIT US ONLINE AT
U.S.A	1-800-SAMSUNG(726-7864)	www.samsung.com/us/support
CANADA	1-800-SAMSUNG(726-7864)	www.samsung.com/ca/support (English) www.samsung.com/ca_fr/support (French)



DC68-03645A-00

A black and white artistic photograph of water splashing, creating a dynamic and textured background. The water droplets are captured in mid-air, creating a sense of movement and freshness. The lighting highlights the individual droplets and the overall spray, giving it a soft, ethereal quality.

Lave-linge

Manuel d'utilisation

WW22K6800A*

SAMSUNG

Table des matières

Consignes de sécurité	4
Remarques importantes sur les consignes de sécurité	4
Importants symboles de sécurité	4
Consignes de sécurité importantes	5
Avertissements critiques pour l'installation	6
Précautions d'installation	8
Avertissements critiques pour l'utilisation	9
Précautions d'utilisation	11
Avertissements critiques pour le nettoyage	14
Installation	15
Pièces incluses	15
Exigences d'installation	16
Installation pas à pas	21
Avant de démarrer	27
Réglages initiaux	27
Instructions de lavage	28
Conseils d'utilisation du tiroir à lessive	30
Fonctionnement	32
Panneau de commande	32
Étapes simples pour démarrer	34
Présentation des cycles	35
Fonctions spéciales	38
Maintenance	41
Self Clean (Autonettoyage)	41
Smart Care (Entretien intelligent)	42
Vidange d'urgence	43
Nettoyage	44
Récupération après gel	47
Faites attention à une inutilisation prolongée	48
Nettoyer l'extérieur	48
Nettoyer l'intérieur	48

Dépannage	49
Contrôles à effectuer	49
Codes d'information	53
Caractéristiques techniques	55
Tableau des symboles d'entretien des textiles	55
Protection de l'environnement	56
Déclaration de conformité	56
Fiche technique	57
Tableau des programmes	58

Consignes de sécurité

Félicitations pour l'achat de votre nouveau lave-linge Samsung. Ce manuel contient de précieuses informations concernant l'installation, l'utilisation et l'entretien de votre appareil. Prenez le temps de le lire afin de tirer pleinement profit de toutes les fonctionnalités qu'offre votre lave-linge.

Remarques importantes sur les consignes de sécurité

Veillez lire attentivement ce manuel pour vous assurer que vous savez comment utiliser efficacement toutes les caractéristiques et fonctions de votre nouvel appareil en toute sécurité. Conservez-le dans un endroit sûr à proximité de l'appareil pour vous y référer ultérieurement. Utilisez uniquement cet appareil pour son usage prévu, tel que décrit dans ce manuel d'utilisation.

Les consignes de sécurité et les avertissements décrits dans ce manuel ne sont pas exhaustifs. Il est de votre responsabilité de faire preuve de bon sens, de prudence et de discernement lors de l'installation, de l'entretien ou de l'utilisation de votre lave-linge.

Parce que les consignes d'utilisation suivantes concernent plusieurs modèles, les caractéristiques de votre lave-linge sont peut-être légèrement différentes de celles décrites dans ce manuel et l'ensemble des symboles d'avertissement peuvent ne pas s'appliquer à vous. Pour toute question ou renseignement, contactez le service après-vente le plus proche ou recherchez des informations et consultez l'aide en ligne sur www.samsung.com.

Importants symboles de sécurité

Signification des icônes et signes repris dans ce manuel d'utilisation :

AVERTISSEMENT

Risques ou pratiques dangereuses susceptibles de provoquer des blessures corporelles graves, le décès et/ou des dommages matériels.

ATTENTION

Risques ou pratiques dangereuses susceptibles de provoquer des blessures corporelles graves et/ou des dommages matériels.

NOTE

Indique qu'un risque de blessure à la personne ou de dommage matériel existe.

Ces symboles d'avertissement sont présents pour prévenir toute blessure, à vous-même ou à d'autres personnes.

Veillez les respecter scrupuleusement.

CONSERVEZ SOIGNEUSEMENT CES CONSIGNES

Après avoir lu ce manuel, conservez-la dans un endroit sûr pour vous y référer ultérieurement.

Lisez attentivement toutes les consignes avant d'utiliser l'appareil.

Comme pour tout appareil électrique comportant des parties mobiles, des risques existent. Pour utiliser cet appareil en toute sécurité, familiarisez-vous avec son fonctionnement et faites preuve de prudence lorsque vous l'utilisez.

Consignes de sécurité importantes

AVERTISSEMENT

Pour réduire le risque d'incendie, de choc électrique, ou de blessure à la personne lors de l'utilisation de votre appareil, veuillez suivre les précautions de base, y compris ce qui suit :

1. Lisez attentivement toutes les consignes avant d'utiliser l'appareil.
2. Ne lavez et ne faites sécher aucun article ayant été en contact de quelque manière que ce soit (nettoyage, lavage, immersion ou tache) avec de l'essence, des solvants de nettoyage à sec ou toute autre substance inflammable ou explosive. Ces substances dégagent en effet des vapeurs qui risquent de s'enflammer ou d'exploser.
3. Ne laissez pas les enfants jouer sur ou dans l'appareil. Une surveillance attentive s'impose lorsque l'appareil est utilisé à proximité d'enfants.
4. Avant la mise hors service ou au rebut de l'appareil, retirez le hublot du compartiment de lavage ou de séchage.
5. Ne tentez pas d'ouvrir l'appareil lorsque le tambour est en mouvement.
6. N'installez et n'entrez jamais cet appareil dans un endroit exposé aux intempéries.

CONSERVEZ SOIGNEUSEMENT CES CONSIGNES

Consignes de sécurité

7. Ne jouez pas avec les commandes internes de l'appareil.
8. Ne procédez pas à la réparation ou au remplacement des pièces de l'appareil et ne tentez pas non plus de le réparer vous-même, sauf si le manuel d'entretien ou de réparation contient des recommandations spécifiques en la matière que vous comprenez et êtes en mesure d'exécuter.
9. N'ajoutez jamais d'essence, de solvant de nettoyage à sec ou d'autres substances inflammables ou explosives dans l'eau du lave-linge. Ces substances dégagent en effet des vapeurs qui risquent de s'enflammer ou d'exploser.
10. Dans certaines conditions, de l'hydrogène peut s'accumuler dans les systèmes de production d'eau chaude qui n'ont pas été utilisés depuis au moins deux semaines. L'HYDROGÈNE EST UN GAZ EXPLOSIF. Si votre réseau d'eau chaude n'a pas été utilisé pendant au moins deux semaines, ouvrez tous les robinets d'eau chaude de votre maison et laissez l'eau couler plusieurs minutes avant d'utiliser votre lavelinge ou votre lave-linge/sèche linge combiné. Cela permettra d'éliminer l'éventuelle accumulation d'hydrogène. L'hydrogène étant un gaz inflammable, ne fumez pas et ne créez aucune flamme ni étincelle pendant cette opération.

Avertissements critiques pour l'installation

AVERTISSEMENT

Avertissements de la proposition 65 de l'État de Californie (États-Unis uniquement)

Ce produit contient une substance chimique considérée par l'État de Californie comme étant cancérigène ou à l'origine de malformations congénitales ou d'autres troubles de la reproduction.

CONSERVEZ SOIGNEUSEMENT CES CONSIGNES

Cet appareil doit être installé par un technicien qualifié ou par une entreprise spécialisée.

- Le non-respect de cette consigne pourrait provoquer un choc électrique, un incendie, une explosion, des problèmes avec le produit ou des blessures.

L'appareil est lourd, soyez donc prudent lorsque vous le soulevez.

Branchez le cordon d'alimentation dans une prise murale qui satisfait aux spécifications électriques locales. Utilisez la prise uniquement pour cet appareil, et n'utilisez pas de rallonge.

- Partager une prise murale avec d'autres appareils via une multiprise ou brancher une rallonge au cordon d'alimentation pourrait provoquer un choc électrique ou un incendie.
- Assurez-vous que la tension d'alimentation, la fréquence et le courant correspondent aux spécifications du produit. Le non-respect de cette consigne pourrait provoquer un choc électrique ou un incendie. Branchez correctement le cordon d'alimentation dans la prise murale.

Éliminez régulièrement toute eau, poussière ou corps étranger des prises murales et zones de contact à l'aide d'un chiffon sec.

- Débranchez le cordon d'alimentation et nettoyez-le à l'aide d'un chiffon sec.
- Le non-respect de cette consigne pourrait provoquer un choc électrique ou un incendie.

Branchez la prise d'alimentation dans la prise murale de manière à ce que le cordon soit orienté vers le sol.

- Si vous branchez le cordon d'alimentation dans l'autre sens, les fils électriques à l'intérieur du câble pourront être endommagés, entraînant un risque de choc électrique ou d'incendie.

Conservez tous les éléments d'emballage hors de portée des enfants, car ils présentent un danger pour les enfants.

- Un enfant pourrait s'étouffer s'il met sa tête dans un sac.

Lorsque l'appareil, la prise d'alimentation ou le cordon d'alimentation sont endommagés, contactez votre service après-vente.

Cet appareil doit être correctement mis à la terre.

Ne reliez pas le conducteur de terre de l'appareil à un tuyau de gaz, un tuyau de canalisation en plastique ou une ligne téléphonique.

- Cela pourrait provoquer un choc électrique, un incendie, une explosion ou des problèmes avec le produit.
- Ne branchez jamais le cordon d'alimentation dans une prise qui n'est pas correctement mise à la terre et assurez-vous qu'elle soit conforme aux codes de votre région et de votre pays.

CONSERVEZ SOIGNEUSEMENT CES CONSIGNES

Consignes de sécurité

N'installez pas cet appareil à proximité d'un appareil de chauffage ou de matériaux inflammables.

N'installez pas cet appareil dans un endroit humide, gras, poussiéreux, directement exposé à la lumière du jour ou à de l'eau (gouttes de pluie).

N'installez pas cet appareil dans un endroit à basses températures.

- Le gel pourrait provoquer la rupture des tuyaux.

N'installez pas cet appareil dans un endroit présentant un risque de fuites de gaz.

- Cela pourrait entraîner un choc électrique ou un incendie.

N'utilisez pas de transformateur électrique.

- Cela pourrait entraîner un choc électrique ou un incendie.

N'utilisez pas de prise ou de cordon d'alimentation endommagé(e) ou de prise murale mal fixée.

- Cela pourrait entraîner un choc électrique ou un incendie.

Ne tirez pas et ne pliez pas excessivement le cordon d'alimentation.

Ne vrillez pas et n'attachez pas le cordon d'alimentation.

N'accrochez pas le cordon d'alimentation sur un objet métallique, ne posez pas d'objet lourd sur le cordon d'alimentation, ne l'insérez pas entre des objets et ne le coincez pas dans l'espace situé derrière l'appareil.

- Cela pourrait entraîner un choc électrique ou un incendie.

Ne tirez pas sur le cordon d'alimentation pour le débrancher.

- Débranchez le cordon en tenant la prise.
- Le non-respect de cette consigne pourrait provoquer un choc électrique ou un incendie.

Cet appareil doit être placé de sorte que la fiche d'alimentation, les robinets d'alimentation d'eau et les tuyaux d'évacuation soient accessibles.

Précautions d'installation

ATTENTION

Cet appareil doit être placé de façon à laisser libre accès à la prise d'alimentation.

- Le non-respect de cette consigne pourrait provoquer un choc électrique ou un incendie dû à une fuite électrique.

CONSERVEZ SOIGNEUSEMENT CES CONSIGNES

Installez votre appareil sur un sol plat et dur qui pourra supporter son poids.

- Le non-respect de cette consigne pourrait provoquer des vibrations, déplacements et bruits anormaux ou provoquer des problèmes avec le produit.

Avertissements critiques pour l'utilisation

AVERTISSEMENT

En cas de dégât des eaux, coupez immédiatement l'arrivée d'eau et l'alimentation électrique et contactez le service après-vente le plus proche.

- Ne touchez pas la prise d'alimentation avec des mains mouillées.
- Le non-respect de cette consigne pourrait provoquer un choc électrique.

Si l'appareil produit un bruit étrange ou dégage une odeur de brûlé ou de la fumée, débranchez immédiatement la prise d'alimentation et contactez le centre de réparation le plus proche.

- Le non-respect de cette consigne pourrait provoquer un choc électrique ou un incendie.

En cas de fuite de gaz (propane, GPL, etc.), aérez immédiatement sans toucher la prise d'alimentation. Ne touchez ni l'appareil, ni le cordon d'alimentation.

- N'utilisez pas de ventilateur.
- Une étincelle peut entraîner une explosion ou un incendie.

Ne laissez pas les enfants jouer sur ou à l'intérieur du lave-linge. Lors de l'élimination de l'appareil, pensez à retirer le levier de la porte.

- Si des enfants se trouvent coincés dans l'appareil, ils peuvent mourir de suffocation.

Assurez-vous de retirer l'emballage (mousse, polystyrène) fixé au bas du lave-linge avant d'utiliser celui-ci.

Ne lavez pas le linge contaminé par de l'essence, du kérosène, du benzène, du diluant pour peinture, de l'alcool ou toute autre substance inflammable ou explosive.

- Risque de choc électrique, d'incendie ou d'explosion.

N'ouvrez pas la porte du lave-linge de force pendant qu'il fonctionne (lavage / séchage / essorage à haute température).

- Un écoulement d'eau hors du lave-linge peut entraîner des brûlures ou rendre le sol glissant, Cela pourrait provoquer des blessures.
- Ouvrir la porte de force pourrait endommager le produit ou provoquer des blessures.

N'insérez pas votre main sous le lave-linge quand celui-ci est en fonctionnement.

- Cela pourrait provoquer des blessures.

CONSERVEZ SOIGNEUSEMENT CES CONSIGNES

Consignes de sécurité

Ne touchez pas la prise d'alimentation avec des mains mouillées.

- Cela pourrait entraîner un choc électrique.

N'éteignez pas l'appareil en débranchant la prise d'alimentation pendant qu'une opération est en cours.

- Le fait de rebrancher la prise d'alimentation dans la prise murale peut provoquer une étincelle et entraîner un choc électrique ou un incendie.

Ne laissez pas les enfants ou les personnes handicapées utiliser ce lave-linge sans une supervision appropriée. Ne laissez pas les enfants grimper dans ou sur l'appareil.

- Cela pourrait provoquer un choc électrique, des brûlures ou des blessures.

N'insérez pas votre main ou un objet métallique sous le lave-linge pendant son fonctionnement.

- Cela pourrait provoquer des blessures.

Ne débranchez pas l'appareil en tirant sur le cordon d'alimentation. Attrapez toujours fermement la prise et tirez-la hors de la prise.

- L'endommagement du cordon d'alimentation pourrait provoquer un court-circuit, un incendie et/ou un choc électrique.

Ne tentez pas de réparer, de démonter ou de modifier l'appareil vous-même.

- N'utilisez pas de fusibles (comme un fil de cuivre ou d'acier, etc.) autres que les fusibles standards.
- Quand la machine doit être réparée ou réinstallée, contactez votre centre de réparation le plus proche.
- Le non-respect de ces consignes pourrait provoquer un choc électrique, un incendie, des problèmes avec le produit ou des blessures.

Si le tuyau d'arrivée d'eau se déconnecte du robinet et inonde l'appareil, débranchez le lave-linge.

- Le non-respect de cette consigne pourrait provoquer un choc électrique ou un incendie.

Débranchez la prise d'alimentation lorsque l'appareil n'est pas utilisé pendant longtemps ou lorsqu'il y a de l'orage.

- Le non-respect de cette consigne pourrait provoquer un choc électrique ou un incendie.

Si une substance étrangère pénètre dans la machine, débranchez la prise et contactez votre Service Client Samsung le plus proche.

- Cela pourrait entraîner un choc électrique ou un incendie.

CONSERVEZ SOIGNEUSEMENT CES CONSIGNES

Ne laissez pas les enfants (ou les animaux) jouer sur ou à l'intérieur de votre lave-linge. La porte du lave-linge ne s'ouvre pas facilement de l'intérieur, et il existe un risque de blessure grave si un enfant est enfermé à l'intérieur.

Précautions d'utilisation

ATTENTION

Si le lave-linge est contaminé par des corps étrangers (ex. : détergent, saletés, déchets alimentaires etc.), débranchez-le et nettoyez-le à l'aide d'un chiffon doux humide.

- À défaut, une décoloration, une déformation, des dommages ou de la rouille peuvent apparaître.

La partie en verre de la face avant de l'appareil est susceptible de se briser suite à un impact fort. Utilisez le lave-linge avec précaution.

- Le bris du verre pourrait provoquer des blessures.

Après une interruption d'arrivée d'eau ou en rebranchant le tuyau d'arrivée d'eau au robinet, ouvrez celui-ci lentement.

Ouvrez le robinet d'arrivée d'eau lentement après une période prolongée de non-utilisation.

- La pression de l'air dans le tuyau d'arrivée d'eau ou dans le tuyau d'eau pourrait endommager un élément de l'appareil ou provoquer une fuite d'eau.

Si une erreur de vidange survient pendant une opération, vérifiez s'il y a un problème avec l'évacuation de l'eau.

- En cas d'utilisation du lave-linge ors d'une inondation du fait d'un problème de vidange, cela peut entraîner un choc électrique ou un incendie.

Placez le linge entièrement dans le lave-linge afin qu'il ne se coince pas dans la porte.

- Si du linge se coince dans la porte, cela pourrait endommager le linge, le lave-linge, ou provoquer une fuite d'eau.

Coupez l'alimentation d'eau quand le lave-linge n'est pas en service.

- Assurez-vous que la vis du raccord du tuyau d'arrivée d'eau soit bien serrée.

Faire attention à ce que le joint en caoutchouc et le verre de la porte avant ne soient pas contaminés par une substance étrangère (ex. déchet, fils, cheveux, etc.).

- Si une substance étrangère est prise dans la porte ou que la porte n'est pas complètement fermée, cela peut entraîner une fuite d'eau.

CONSERVEZ SOIGNEUSEMENT CES CONSIGNES

Consignes de sécurité

Ouvrez le robinet et vérifiez que le raccord du tuyau d'arrivée d'eau est fermement serré et qu'il n'y a aucune fuite d'eau avant d'utiliser l'appareil.

- Si les vis du raccord du tuyau d'arrivée d'eau sont mal serrées, cela pourrait provoquer une fuite d'eau.

Le produit que vous avez acheté est prévu pour une utilisation domestique uniquement.

L'utilisation à des fins professionnelles est considérée comme une utilisation non conforme du produit. Dans ce cas, le produit ne sera pas couvert par la garantie standard prévue par Samsung et Samsung ne saura en aucun cas être tenu pour responsable en cas de dysfonctionnements ou dommages résultant d'une utilisation non conforme.

Ne montez pas sur l'appareil, ne placez pas d'objets (linge, bougies allumées, cigarettes allumées, vaisselle, produits chimiques, objets métalliques, etc.) sur l'appareil.

- Cela pourrait causer des chocs électriques, des incendies, des problèmes avec l'appareil ou des blessures.

Ce pulvérisez pas de matières volatiles telles que de l'insecticide sur la surface de l'appareil.

- En plus d'être potentiellement dangereux pour l'homme, cela pourrait également provoquer un choc électrique, un incendie ou des problèmes avec le produit.

Ne placez pas d'objets qui génèrent des champs électromagnétiques à proximité du lave-linge.

- Ceci pourrait entraîner des blessures résultant de dysfonctionnements.

L'eau vidangée pendant un programme de lavage à haute température ou de séchage est chaude. Ne touchez pas l'eau.

- Cela pourrait entraîner des brûlures ou des blessures.

Ne lavez pas, n'essorez pas et ne séchez pas de sièges, tapis ou vêtements imperméables (*) sauf si votre appareil possède un programme spécifique pour laver ces articles.

(*): Linges de lit en laine, housses pour la pluie, gilets de pêche, combinaisons de ski, couvre-couches, survêtements et housses pour bicyclettes, etc.

- Ne lavez pas de tapis épais et durs même s'ils portent le sigle lave-linge sur leur étiquette d'entretien. Risque de vibrations anormales, de blessures ou de dégâts matériels (lave-linge, murs, sol ou linge).
- Ne lavez pas de paillasons ni tapis de sol avec fond en caoutchouc. Le fond en caoutchouc pourrait se détacher et coller à l'intérieur du tambour, et cela pourrait entraîner un dysfonctionnement tel qu'une erreur de vidange.

Ne faites pas fonctionner le lave-linge lorsque le compartiment à lessive a été retiré.

- Cela pourrait provoquer un choc électrique ou des blessures résultants d'une fuite d'eau.

CONSERVEZ SOIGNEUSEMENT CES CONSIGNES

Ne touchez pas l'intérieur du tambour pendant ou juste après un séchage car il est chaud.

- Cela pourrait provoquer des brûlures.

N'insérez pas vos mains dans le tiroir à lessive.

- Cela pourrait provoquer des blessures si votre main était coincée par le mécanisme d'insertion de lessive.
- Le guide de lessive liquide (modèles applicables uniquement) n'est pas utilisé pour la lessive en poudre. Enlevez le guide si vous utilisez de la lessive en poudre.

Ne mettez aucun objet (tel que chaussures, résidus alimentaires, animaux) autres que du linge dans le lave-linge.

- Cela pourrait endommager le lave-linge ou provoquer des blessures ou le décès de l'animal, résultant des vibrations anormales.

N'actionnez pas les boutons à l'aide d'objets tranchants tels que des aiguilles, des couteaux, les ongles etc.

- Cela pourrait entraîner un choc électrique ou des blessures.

Ne lavez pas de linge entré en contact avec des huiles, crèmes ou lotions utilisées dans les salons de beauté ou de massage.

- Le joint en caoutchouc pourrait être déformé et entraîner une fuite d'eau.

Ne laissez pas d'objets métalliques tels que des épingles à nourrice ou des barrettes, ou de la javel, dans le tambour pendant une longue période de temps.

- Cela pourrait provoquer la rouille du tambour.
- Si de la rouille commence à apparaître sur la surface du tambour, appliquez un nettoyant (neutre) sur la surface et utilisez une éponge pour le nettoyer. N'utilisez jamais de brosse métallique.

N'utilisez pas directement de solvants de nettoyage à sec et ne lavez, ne rincez et n'essorez pas de linge entré en contact avec des solvants de nettoyage à sec.

- Cela pourrait provoquer une combustion spontanée due à la chaleur générée par l'oxydation de l'huile.

N'utilisez pas d'eau provenant d'appareils de refroidissement/chauffage de l'eau.

- Ceci pourrait entraîner des dysfonctionnements du lave-linge.

N'utilisez pas de savon naturel pour les mains dans le lave-linge.

- Risque de dysfonctionnement, de décoloration, d'oxydation ou de dégagement de mauvaises odeurs.

CONSERVEZ SOIGNEUSEMENT CES CONSIGNES

Consignes de sécurité

Mettez les chaussettes et les soutien-gorge dans le filet de lavage et mettez-le avec le reste du linge.

Ne lavez pas d'articles de grande taille tels que du linge de lit dans un filet de lavage.

- Le non-respect de ces consignes pourrait provoquer des blessures résultant des vibrations anormales.

N'utilisez pas de détergent solidifié.

- S'il s'accumule dans le lave-linge, des fuites d'eau peuvent en résulter.

Assurez-vous que toutes les poches des vêtements à laver soient vides.

- Les objets durs ou pointus tels que les pièces de monnaie, les épingles à nourrice, les ongles, les vis ou les cailloux sont susceptibles de gravement endommager l'appareil.

Évitez de laver des vêtements comportant de grandes boucles, des boutons ou d'autres accessoires en métal lourd.

Triez le linge par couleur sur la base de la solidité des couleurs et sélectionnez le cycle recommandé, la température de l'eau et les fonctions additionnelles.

- Cela pourrait provoquer une décoloration ou abîmer le tissu.

Faites attention à ce que les doigts des enfants ne soient pas pris dans le hublot quand vous le refermez.

- Le non-respect de cette consigne pourrait provoquer une blessure.

Avertissements critiques pour le nettoyage

AVERTISSEMENT

Ne nettoyez pas l'appareil en pulvérisant directement de l'eau dessus.

Ne pas utiliser d'agent nettoyant à l'acide puissant.

N'utilisez pas de benzène, de diluant ou d'alcool pour nettoyer l'appareil.

- Cela pourrait entraîner des décolorations, des déformations, des dommages, des chocs électriques ou un incendie.

Avant d'effectuer un nettoyage ou un entretien, débranchez le cordon d'alimentation de la prise murale.

- Le non-respect de cette consigne pourrait provoquer un choc électrique ou un incendie.

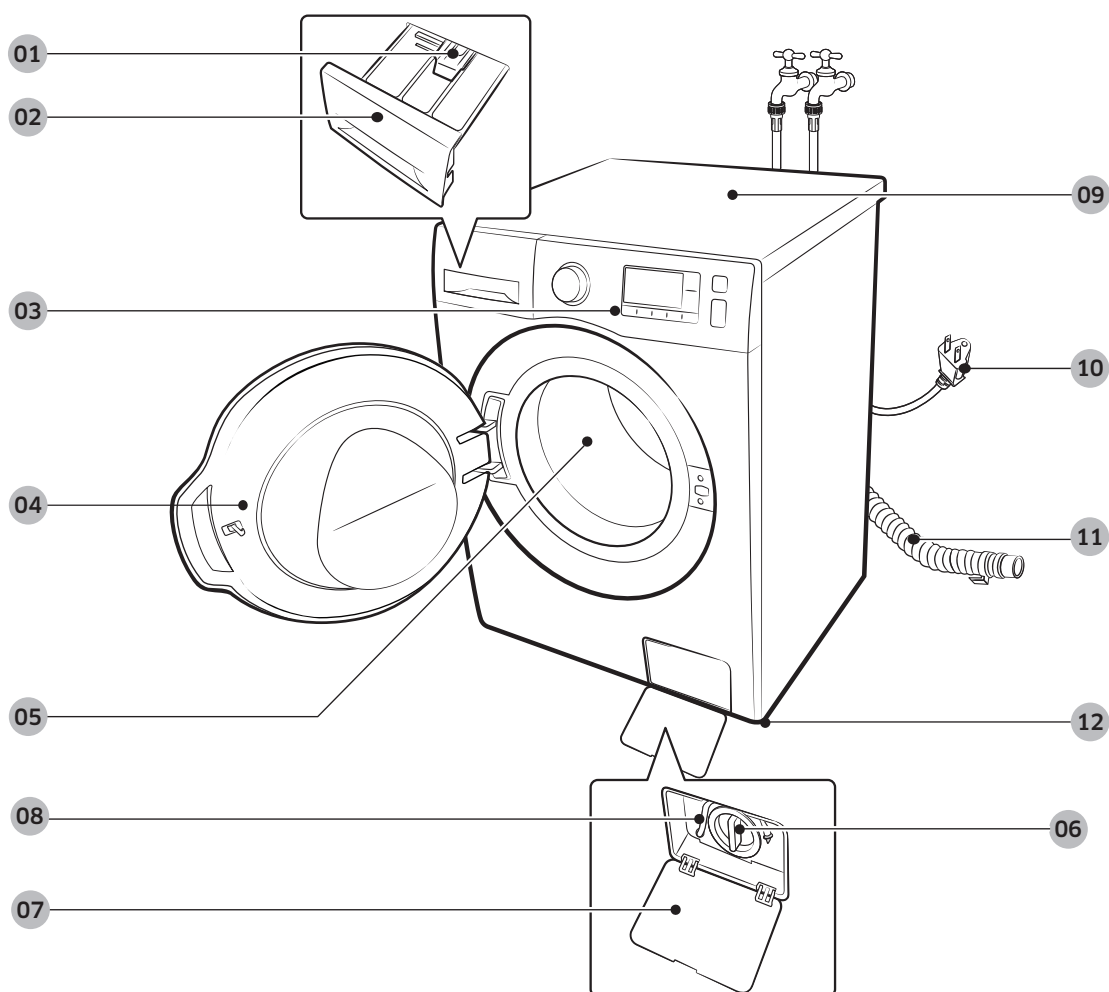
CONSERVEZ SOIGNEUSEMENT CES CONSIGNES

Installation

Suivez attentivement ces conseils pour garantir une installation correcte du lave-linge, et pour éviter les accidents lors du lavage.

Pièces incluses

Assurez-vous que toutes les pièces sont incluses dans l'emballage de l'appareil. Si vous rencontrez un problème avec le lave-linge ou les pièces, contactez un centre d'assistance clientèle Samsung local ou le magasin.



01 Manette d'ouverture

04 Hublot

07 Capot du filtre

10 Prise d'alimentation

02 Tiroir à lessive

05 Tambour

08 Tuyau de vidange
d'urgence

11 Tuyau de vidange

03 Panneau de commande

06 Filtre de la pompe

09 Dessus du lave-linge

12 Pieds réglables

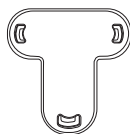
Installation



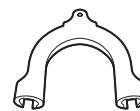
Clé à ergots



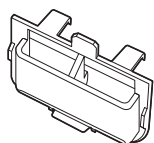
Caches-boulons



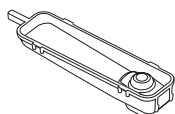
Fixation d'embout



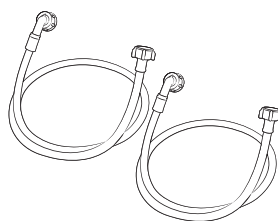
Guide du tuyau de vidange



Compartment à lessive liquide



Compartment javel



Tuyaux d'eau (vendus séparément)



Patins antidérapants (vendus séparément)

NOTE

- Caches-boulons: les numéros attribués à chaque cache (3 à 6) varient selon le modèle du produit.
- L'aspect de l'appareil et des accessoires fournis peut différer selon le modèle.

ATTENTION

- Ne réutilisez pas les vieux tuyaux d'eau qui sont susceptibles de fuir ou de se rompre et de provoquer une inondation et/ou des dommages matériels.
- Assurez-vous que les rondelles en caoutchouc sont insérées dans chaque raccord du tuyau d'eau.

Exigences d'installation

Alimentation électrique et mise à la terre

- Fusible ou disjoncteur 120 V, 60 Hz, 15 A.
- Circuit de dérivation distinct, réservé uniquement à votre lave-linge.

Pour assurer une mise à la terre correcte, votre lave-linge est équipé d'un cordon doté d'une prise à 3 broches avec conducteur de terre destinée à être branchée sur une prise correctement installée et reliée à la terre.

Vérifiez avec un électricien ou un technicien qualifié si vous n'êtes pas sûr de la mise à la terre.

Ne modifiez pas le cordon fourni. S'il ne correspond pas à la prise, appelez un électricien qualifié et installez une prise appropriée.

AVERTISSEMENT

- N'utilisez PAS de rallonge.

- Utilisez uniquement le cordon d'alimentation fourni avec votre lave-linge.
- Ne reliez PAS un conducteur de terre à une conduite de plomberie en plastique, une conduite de gaz ou une conduite d'eau chaude.
- Des conducteurs de terre mal raccordés peuvent entraîner un choc électrique.
- Pour prévenir tout risque d'incendie, d'électrocution ou de blessure, l'intégralité du câblage et des mises à la terre doit être réalisée conformément aux réglementations locales ou, en l'absence de ces dernières, au code électrique national (National Electrical Code) ANSI/NFPA dernière révision n°70 (pour les États-Unis) ou aux dispositions canadiennes sur l'électricité CSA C22.1 (dernières révisions) et aux réglementations locales. Il relève de votre responsabilité de fournir des services électriques adaptés à votre lave-linge.

Arrivée d'eau

Une pression d'eau correcte pour ce lave-linge se situe entre 20-116 psi (137-800 kPa). Une pression inférieure à 20 psi (137 kPa) risque d'empêcher la fermeture correcte de la soupape d'admission d'eau ou de retarder le remplissage du tambour et l'extinction du lave-linge. Les robinets d'arrivée d'eau doivent se trouver à moins de 4 pieds (122 cm) de l'arrière de votre lave-linge afin que les tuyaux fournis puissent être reliés à l'appareil. Pour réduire un risque de fuite:

- Faites en sorte que les robinets d'arrivée d'eau soient facilement accessibles.
- Fermez les robinets d'arrivée d'eau lorsque vous n'utilisez pas le lave-linge.

- Vérifiez régulièrement s'il y a des fuites sur les raccords des tuyaux d'arrivée d'eau.

⚠ ATTENTION

Avant d'utiliser votre lave-linge pour la première fois, vérifiez l'absence de fuites au niveau des raccords avec la vanne d'arrivée d'eau et les robinets.

Vidange

Samsung recommande de placer le tuyau d'évacuation mural à une hauteur de 18 pouces (46 cm). Le tuyau d'évacuation doit être raccordé par le flexible au tube vertical, et le tube vertical doit couvrir complètement le tuyau d'évacuation.

Sol

Pour un fonctionnement optimal, votre lave-linge doit être installé sur un sol stable. Si le sol est en bois, il est possible qu'il doive être renforcé afin de réduire les vibrations et les problèmes de déséquilibre. La présence de moquette ou de surfaces molles n'offre pas une bonne résistance aux vibrations et votre lave-linge aura tendance à se déplacer légèrement durant l'essorage.

⚠ ATTENTION

N'installez PAS votre lave-linge sur une plate-forme ou sur une structure dont le soutien est insuffisant.

Température de l'eau

N'installez pas votre lave-linge dans une zone où l'eau peut geler car il subsistera toujours une certaine quantité d'eau dans le robinet de prise d'eau, la pompe ou les tuyaux. La présence d'eau gelée dans les parties de raccordement peut endommager les courroies, la pompe et d'autres composants du lave-linge.

Installation

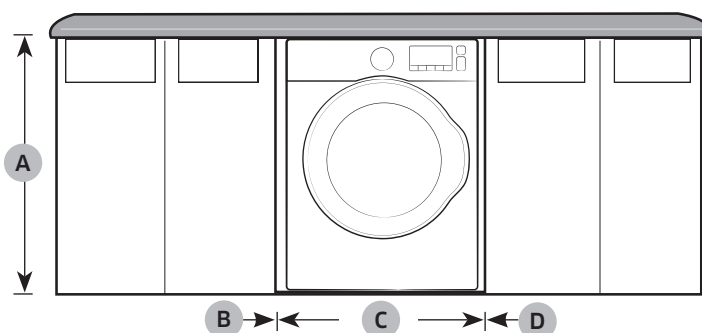
Encastrement dans une niche ou installation dans un placard

Espace minimum pour un fonctionnement stable :

Côtés	1 Pouces (25 mm)
Haut	17 Pouces (432 mm)
Arrière	5,9 Pouces (150 mm)
Avant	2 Pouces (51 mm)

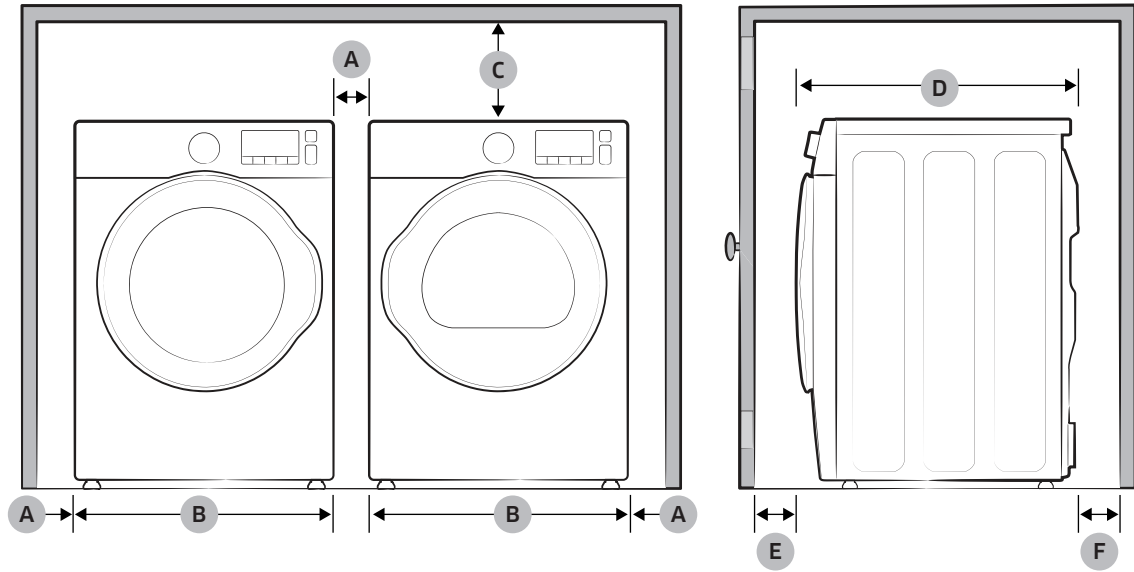
Si vous installez le lave-linge dans la même pièce qu'un sèche-linge, laissez un espace libre d'au moins 72 Pouces² (465 cm²) in à l'avant de la niche ou du placard. Installé seul, votre lave-linge ne nécessite aucun dégagement.

Installation sous plan



A	39,6 pouces (1006 mm)	C	27 pouces (686 mm)
B	1 pouces (25 mm)	D	1 pouces (25 mm)

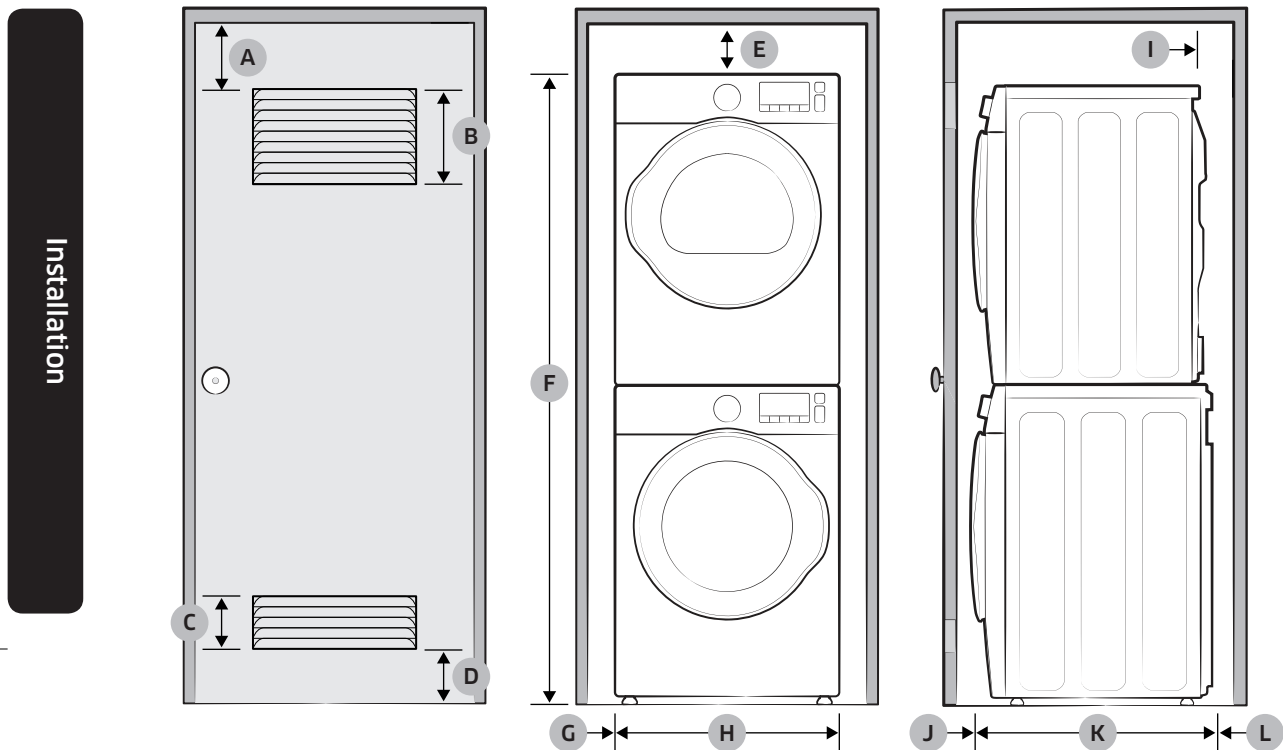
Installation côte à côte



A*	1 pouce (25 mm)	D	25,8 pouce (655 mm)
B	23,6 pouce (600 mm)	E	3 pouce (76 mm)
C	17 pouce (432 mm)	F	3 pouce (76 mm)

*Ce dégagement n'est pas applicables aux lave-linge autonomes.

Installation



A	3 pouces (76 mm)	G	1 pouces (25 mm)
B	48 pouces ² (310 mm ²)	H	23,6 pouces (600 mm)
C	24 pouces ² (155 mm ²)	I	5,5 pouces (140 mm)
D	3 pouces (76 mm)	J	3 pouces (76 mm)
E	6 pouces (152 mm)	K	26,6 pouces (676 mm)
F	67 pouces (1702 mm)	L	4,75 pouces (120 mm)

AVERTISSEMENT

Les lave-linge et sèche-linge de Samsung peuvent être empilés pour optimiser l'espace utilisable.

Les pieds du sèche-linge doivent être enlevés pour empiler le lave-linge et le sèche-linge. Vous pouvez acheter un kit d'empilage en option auprès de votre revendeur Samsung.

Installation empilée (Modèle : SK-DH)

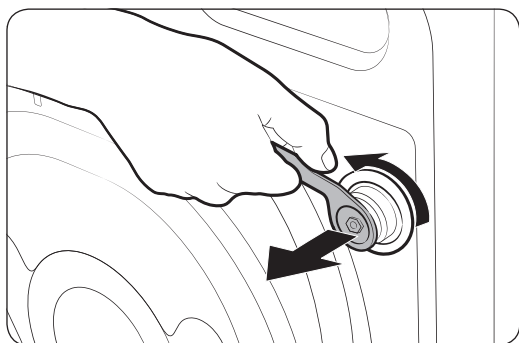
Installation pas à pas

ÉTAPE 1 Choix de l'emplacement

Exigences d'emplacement :

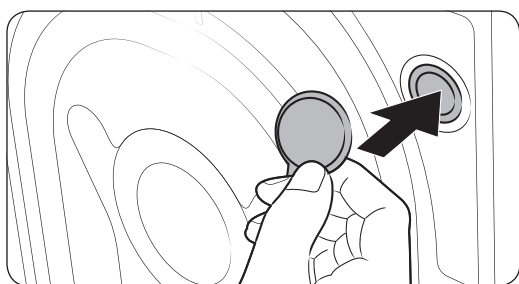
- Surface dure et de niveau, sans moquette ou autre revêtement de sol susceptible d'obstruer l'aération
- Non exposé à la lumière directe du soleil
- Pièce appropriée pour l'aération et le câblage
- La température ambiante est toujours supérieure au point de congélation (0 °C)
- Loin d'une source de chaleur

ÉTAPE 2 Enlever les vis de transport



Déballez l'emballage du produit et enlever tous les boulons de fixation.

1. Desserrez tous les boulons de fixation à l'arrière de la machine en utilisant la clé fournie.



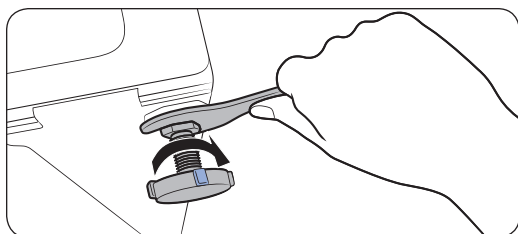
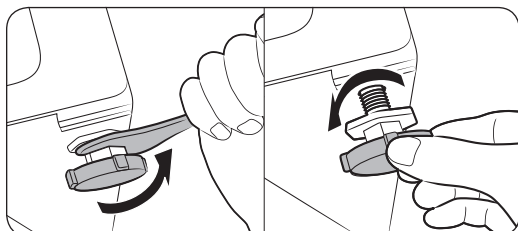
2. Bouchez les trous avec les caches en plastique fournis. Gardez les boulons de fixation en vue d'une utilisation future.

AVERTISSEMENT

Les matériaux d'emballage peuvent être dangereux pour les enfants. Placez tous les matériaux d'emballages (sacs plastiques, polystyrène, etc.) hors de la portée des enfants.

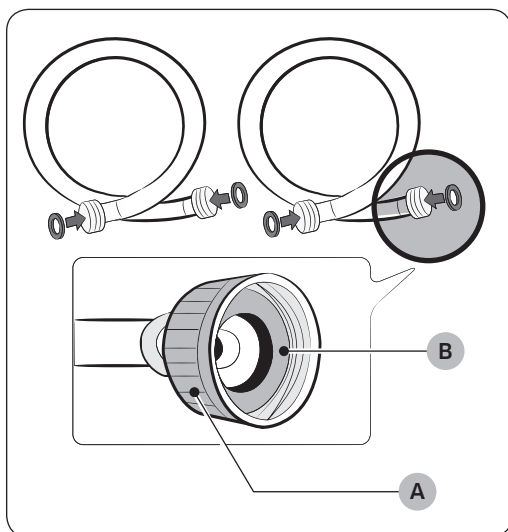
Installation

ÉTAPE 3 Ajuster les pieds réglables



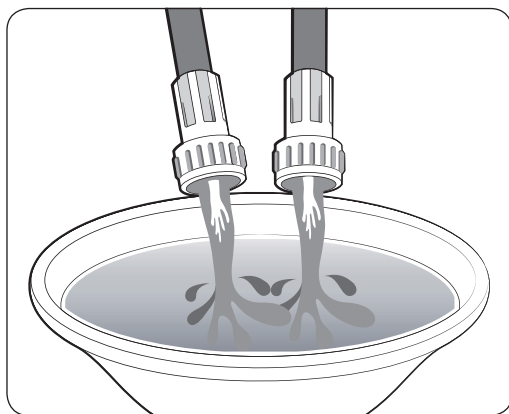
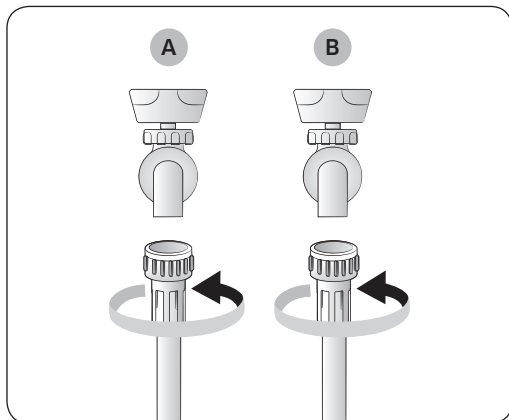
1. Mettez le lave-linge en place en le faisant glisser doucement. Une pression excessive peut endommager le pied de mise à niveau.
2. Mettez le lave-linge à niveau en réglant manuellement le pied de mise à niveau.
3. Quand la mise à niveau est terminée, resserrez les boulons en utilisant la clé.

ÉTAPE 4 Raccordez le tuyau d'eau



⚠ ATTENTION

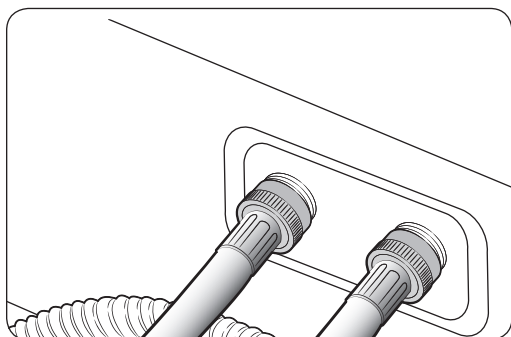
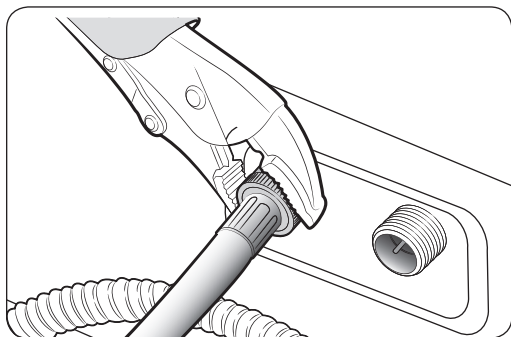
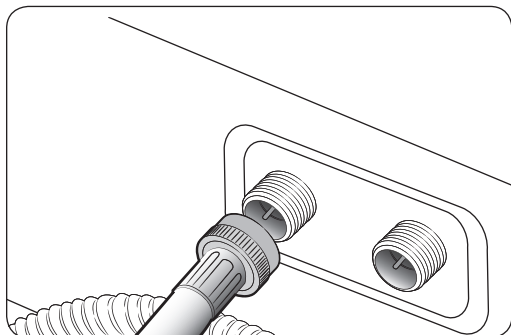
- Assurez-vous d'utiliser un nouveau tuyau d'eau, et qu'il y a des joints en caoutchouc (B) à l'intérieur des raccords (A) à chaque extrémité du tuyau d'eau. Un tuyau d'eau sans joint peut provoquer une fuite d'eau.
- S'il y a une fuite d'eau, arrêtez d'utiliser le lave-linge et contactez un centre de service local Samsung. Cela pourrait provoquer un choc électrique.
- Ne tendez pas le tuyau d'arrivée d'eau en forçant. Si le tuyau est trop court, remplacez-le par un tuyau haute pression plus long.
- Pour éviter les fuites, assurez-vous que les deux tuyaux d'eau ne soient pas courbés ni entortillés. Une fuite d'eau peut provoquer un choc électrique.



Pour raccorder le tuyau d'arrivée d'eau au robinet d'eau :

1. Raccordez une extrémité de chaque tuyau d'eau au robinet d'eau chaude (B) ou d'eau froide (A).
2. Tournez manuellement les raccords jusqu'au bout, puis resserrez-les simplement d'un deux-tiers de tour supplémentaire à l'aide d'une clé. Ne les serrez pas trop pour éviter tout dommage aux raccords.
3. Quand c'est terminé, tirez les tuyaux d'eau vers le haut ou vers le bas pour vérifier s'ils sont bien raccordés.
4. Placez les autres extrémités des tuyaux dans un seau et ouvrez les robinets pendant 10 à 15 secondes pour enlever les impuretés. Quand c'est terminé, fermez les robinets.

Installation



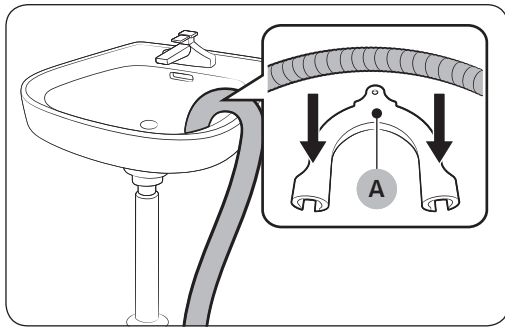
5. Raccordez les autres extrémités des tuyaux d'eau aux arrivées correspondantes situées à l'arrière du lave-linge tel que spécifié. Assurez-vous que le tuyau d'eau chaude est raccordé à l'arrivée d'eau chaude et le tuyau d'eau froide à l'arrivée d'eau froide.
6. Répétez l'étape 2 ci-dessus pour les autres raccords. Assurez-vous que les deux tuyaux d'eau sont bien raccordés. Consultez le code d'information '4C' pour tout dépannage.
7. Ouvrez les deux robinets et vérifiez s'il y a une fuite.

NOTE

Si vous ne souhaitez pas utiliser le tuyau d'eau chaude, insérez le bouchon d'arrivée d'eau dans l'orifice d'arrivée d'eau chaude. Dans ce cas, vous devez sélectionner l'option Tap Cold (Robinet d'eau froide) pour la température de l'eau. Tous les autres indicateurs d'eau sont éteints.

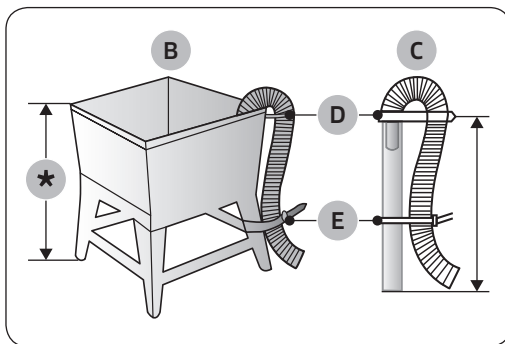
ÉTAPE 5 Positionnez le tuyau d'eau

L'extrémité du tuyau de vidange peut être positionnée de trois façons différentes :



Sur le bord d'un lavabo

Le tuyau de vidange doit être placé à une hauteur entre 24 pouces (60 cm) et 35 pouces (90 cm) du sol. Pour que l'embout du tuyau de vidange reste courbé, utilisez le **guide plastique (A) du tuyau** fourni. Fixez le guide au mur en utilisant un crochet pour assurer une vidange stable.



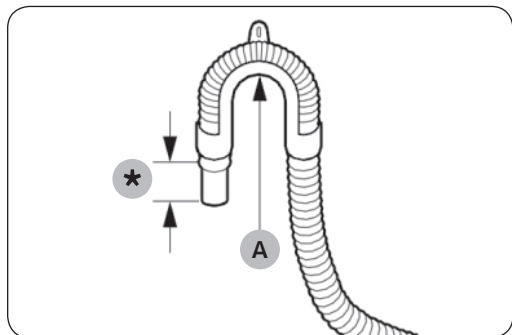
Dans une conduite d'évacuation ou un bac à laver

La longueur du **tuyau d'évacuation (B)** et du **bac à laver (C)** doit être comprise entre 18 pouces (46 cm) et 96 pouces (245 cm). Assurez-vous que le tuyau de vidange et la conduite d'évacuation ne sont pas étanches à l'air.

NOTE

D: Fixation pour tuyau / E: Collier de fixation

Installation



⚠ ATTENTION

- Raccordez le **guide du tuyau de vidange (A)** à maximum 6 pouces (15 cm)* de distance de l'extrémité du tuyau de vidange. Si le tuyau de vidange se prolonge au delà de l'extrémité du guide de tuyau, des moisissures ou microorganismes pourraient se diffuser à l'intérieur du lave-linge.
- Le tuyau de vidange peut être installé jusqu'à 96 po (245 cm) de hauteur, mais la capacité de drainage peut être réduite à cette hauteur. L'eau restante dans le système de vidange peut provoquer des odeurs.
- Si le tuyau de vidange est installé en-dessous de 18 po (46 cm), l'eau peut être vidangée durant le processus du fait d'un phénomène de siphon. Si cela se produit, un code d'information '4E' apparaît sur l'écran.

ÉTAPE 6 Marche

Branchez le cordon d'alimentation sur une prise murale 120 V c.a./60 Hz / 15 A homologuée et protégée par un fusible ou un disjoncteur. Appuyez sur le bouton **Marche/Arrêt** pour mettre le lave-linge en marche.

Avant de démarrer

Réglages initiaux

Lancer un calibrage (recommandé)

L'option Calibrage permet à l'appareil de calculer précisément le poids du linge. Assurez-vous que le tambour est vide avant d'activer l'option Calibrage.

1. Appuyez sur le bouton **Marche/Arrêt** pour allumer votre lave-linge.
2. Maintenez simultanément enfoncés les boutons **Temp. (Température)** et **Delay End (Arrêt différé)** pendant 3 secondes.
3. Appuyez sur le bouton **Démarrer/Pause** pour lancer l'étalonnage.
 - Le hublot est verrouillé pendant l'opération.
 - Le tambour continue de tourner dans le sens horaire et antihoraire pendant plusieurs minutes.
4. Quand il a terminé, le lave-linge s'arrête automatiquement.

Avant de démarrer

Instructions de lavage

ÉTAPE 1 Tri

Triez le linge selon ces critères :

- Symbole textile : séparez le coton, les fibres mélangées, les synthétiques, la soie, la laine et les rayonnées.
- Couleurs: séparez le blanc et les couleurs.
- Taille : Le mélange d'articles de tailles différentes dans le tambour améliore les résultats de lavage.
- Sensibilité : lavez les articles délicats séparément, en utilisant le cycle de lavage Délicats pour les articles neufs en laine vierge et en soie, ainsi que pour les rideaux. Vérifiez les étiquettes sur les articles.

NOTE

Assurez-vous de vérifier l'étiquette d'entretien sur les vêtements et triez-le en conséquence avant de démarrer le lavage.

ÉTAPE 2 Vider les poches

Videz toutes les poches de vos vêtements à laver

- Les objets métalliques comme les pièces, pinces et boucles sur les vêtements peuvent endommager d'autres articles à laver mais aussi le tambour.

Mettez les vêtements pourvus de boutons ou de broderies sur l'envers

- Si les fermetures à glissière des pantalons et vestes sont ouvertes lors du lavage, cela peut endommager le tambour. Les fermetures à glissière doivent être maintenues fermées à l'aide d'un fil.

- Les lanières des vêtements risquent de s'emmêler avec le reste du linge. Nouez-les avant de lancer le programme.

ÉTAPE 3 Utilisez un filet à linge

- Les soutiens-gorge (lavables à l'eau) doivent être placés dans un filet à linge. Les parties métalliques des soutiens-gorge peuvent se casser et déchirer les autres articles à laver.
- Les vêtements légers et de petite taille, tels que les chaussettes, gants, bas et mouchoirs, peuvent se coincer entre le hublot et la paroi du lave-linge. Placez-les dans un sac à linge fin.
- Ne lavez pas le sac à linge seul, sans linge. Ceci pourrait provoquer des vibrations anormales susceptibles d'entraîner des déplacements de la machine impliquant des blessures.

ÉTAPE 4 Évaluer la capacité de chargement

Ne surchargez pas le lave-linge. sans quoi votre linge ne sera pas lavé correctement.

NOTE

Lorsque vous lavez des draps ou des Draps, il se peut que la durée de lavage soit allongée ou que l'efficacité de l'essorage soit moindre. Pour les draps ou couvre-lits, la vitesse d'essorage maximale recommandée est de 800 tr/min et la capacité de charge est inférieure ou égale à 2,0 kg.

⚠ ATTENTION

Si le linge est déséquilibré et le code erreur «Ub» s'affiche, redistribuez la charge. Du linge mal équilibré peut réduire les performances d'essorage.

ÉTAPE 5 Utilisez une lessive appropriée

La lessive à utiliser dépend du type de tissu (coton, synthétiques, vêtements délicats, laine), de la couleur, de la température de lavage et du degré de salissure. Utilisez toujours une lessive qui mousse peu, prévue pour les lave-linge automatiques.

📄 NOTE

- Respectez les recommandations du fabricant de la lessive ; celles-ci ont été élaborées en fonction du poids du linge, du degré de salissure et de la dureté de l'eau de votre région. Si vous n'êtes pas sûr de la dureté de l'eau, contactez une autorité locale pour l'eau.
- N'utilisez pas de lessive qui a tendance à se durcir ou se solidifier. Cette lessive peut rester après le cycle de rinçage, bloquant l'évacuation.

⚠ ATTENTION

Quand vous lavez de la laine en utilisant le programme laine, utilisez uniquement une lessive liquide neutre. Une lessive en poudre utilisée dans le programme laine peut rester dans le linge et le décolorer.

Utilisez uniquement une lessive HE



Votre lave-linge est conçu pour fonctionner avec des lessives haute efficacité (HE).

- Pour des résultats de lavage optimaux, utilisez une lessive haute efficacité telle que Tide HE, Wisk HE, Cheer HE ou Gain HE*. Les lessives haute efficacité contiennent des agents anti-mousse chargés de réduire, voire d'éliminer la mousse. Lorsqu'il y a moins de mousse, la charge tourne plus efficacement et le lavage est optimisé. (* Les noms de marque sont des marques déposées de leurs fabricants respectifs.)

⚠ AVERTISSEMENT

Les lessives classiques ne sont pas recommandées. Utilisez uniquement une lessive HE.

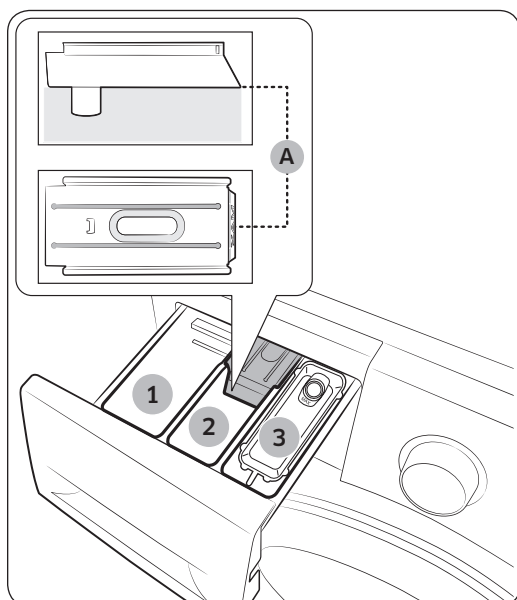
Avant de démarrer

Avant de démarrer

Conseils d'utilisation du tiroir à lessive

Le lave-linge est équipé d'un distributeur à trois bacs : le premier bac est réservé aux produits de lavage principal, le deuxième bac à l'adoucissant et le troisième bac à l'eau de Javel liquide.

Avant de démarrer



- 1. Compartiment de lavage principal:**
Mettez de la lessive de lavage principal, de l'adoucissant, de la lessive pour le trempage, de l'eau de javel non décolorante et non chlorée et/ou des détachants.
- 2. Compartiment pour adoucissant :**
Mettez de l'adoucissant. Ne dépassez pas la **ligne max (A)**.
- 3. Bac à eau de Javel:** Mettez de l'eau de javel chlorée liquide.

⚠ ATTENTION

- N'ouvrez pas le tiroir à lessive quand le lave-linge est en marche.
- N'utilisez pas les types de lessive suivants :
 - Type tablettes ou capsules
 - Type bille ou filet
- Pour éviter l'obstruction du compartiment, il convient de diluer les agents concentrés ou fortement enrichis (adoucissant ou lessive) avant de les y placer.

Pour mettre des agents de lavage dans le tiroir à lessive

1. Ouvrez le tiroir à lessive en le faisant glisser.
2. Mettez de la lessive dans le **compartiment de lavage principal** tel qu'indiqué ou recommandé par le fabricant. Pour utiliser de la lessive liquide, consultez la page **31**.
3. Mettez de l'adoucissant dans le **compartiment à adoucissant**. Ne dépassez pas la **ligne max (A)**.

⚠ ATTENTION

De l'adoucissant en poudre n'est pas recommandé. Utilisez uniquement de l'adoucissant liquide.

4. Fermez le tiroir à lessive.

⚠ ATTENTION

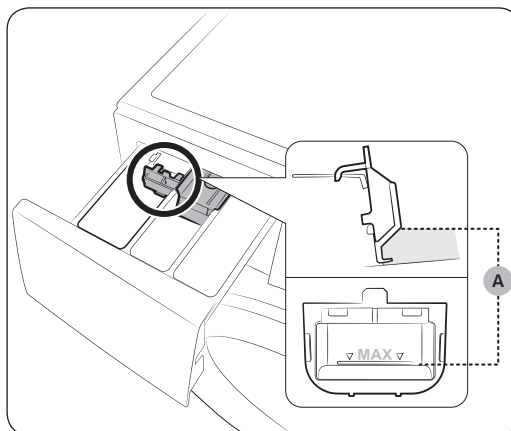
- Ne mettez pas de lessive en poudre dans le tiroir pour liquides.
- L'adoucissant concentré doit être dilué dans l'eau avant de le mettre.
- Ne mettez pas de lessive de lavage principal dans le **compartiment à adoucissant**.

Pour utiliser de la lessive liquide

Insérez d'abord le réservoir pour liquide fourni dans le **compartiment de lavage principal**. Puis mettez de la lessive liquide dans le réservoir en-dessous de la **ligne max (A)** indiquée.

⚠ ATTENTION

Ne dépassez pas la ligne max qui est indiquée dans le réservoir. Enlevez le réservoir à liquide si vous utilisez de la lessive en poudre.

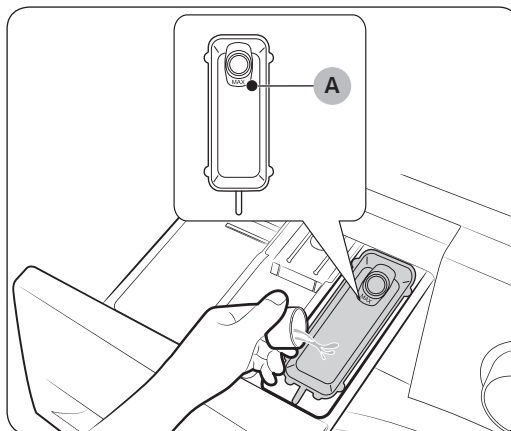


Pour utiliser le bac à javel

Veuillez d'abord insérer le **bac à javel** dans le **compartiment à javel**. Ajoutez uniquement l'eau de Javel liquide dans le **bac à javel**. Ne dépassez pas la **ligne max (A)**.

⚠ ATTENTION

N'appliquez jamais d'eau de Javel liquide non diluée directement sur le linge ou dans le tambour. Ce produit chimique puissant peut endommager et décolorer les fibres s'il n'est pas utilisé correctement.



Pour utiliser des boosters d'oxygène ou de la javel non décolorante

Les boosters d'oxygène ou bien la javel non décolorante peuvent augmenter les performances de lavage.

Assurez-vous d'ajouter des boosters d'oxygène ou bien de la javel non décolorante après avoir placé le linge dans le tambour.

📄 NOTE

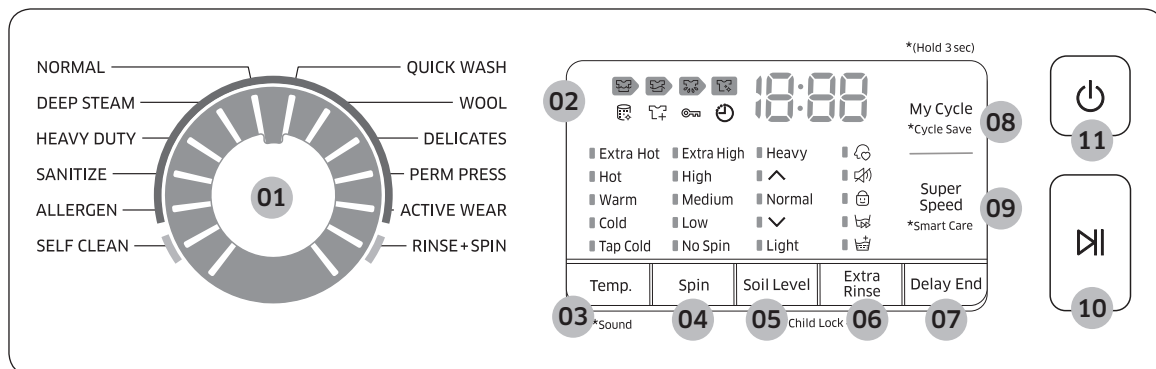
Pour utiliser à la fois de la lessive en poudre et un booster d'oxygène en poudre ou de la javel non décolorant en poudre, il est plus efficace de les placer ensemble dans le tambour avant d'y mettre le linge.

Fonctionnement

⚠ AVERTISSEMENT

Afin de limiter les risques d'incendie, d'électrocution ou de blessures, consultez la section CONSIGNES IMPORTANTES DE SÉCURITÉ avant d'utiliser cet appareil.

Panneau de commande



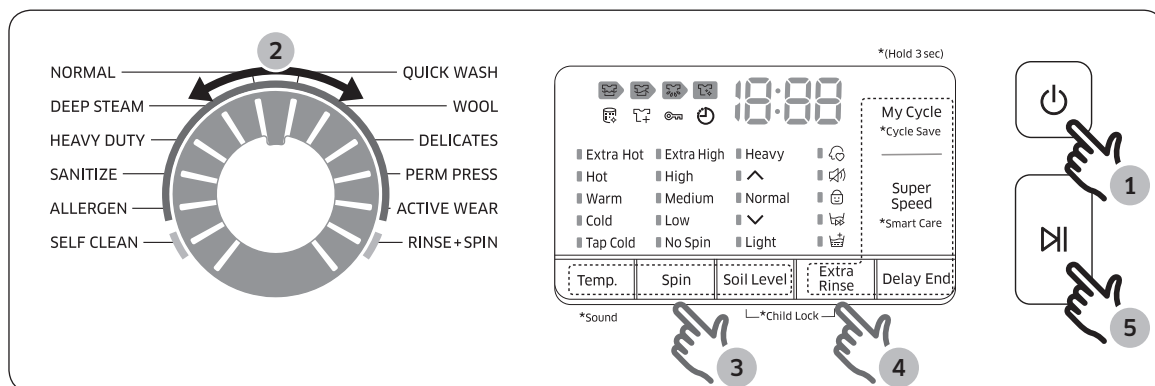
Fonctionnement

01 Sélecteur de programme	Tournez le bouton pour sélectionner un programme.
02 Affichage	L'affichage montre les informations de programme actuelles et le temps restant estimé, ou un code d'information quand un problème survient.
03 Temp. (Température)	Appuyez pour changer la température de l'eau pour le programme actuel. <ul style="list-style-type: none"> • Extra Hot (Extra Chaud): Linge très sale, textiles grand teint. Uniquement disponible avec les programmes Normal, Heavy Duty (Grand rendement), Sanitize (Stérilisation) et Self Clean (Autonettoyage) • Hot (Chaud): blancs et linge très sale, textiles grand teint. • Warm (Tiède): Textiles grand teint. • Cold (Froid): linge très peu sale, couleurs vives. Si l'eau froide se trouve en-dessous de 60°F/16°C, il est possible d'ajouter de l'eau chaude ou de la chauffer. • Tap Cold (Robinnet d'eau froide): eau froide sans ajout d'eau chaude.

04 Spin (Essorage)	<p>Appuyez pour changer la vitesse d'essorage pour le programme actuel.</p> <ul style="list-style-type: none"> • Extra High (Extra Élevée): Enlève l'eau de la charge au cours de l'essorage. Afin de minimiser le froissage des tissus infroissable et ne supportant pas le repassage, N'UTILISEZ PAS l'option d'essorage « Extra High (Extra Élevée) » et ne surchargez pas votre lave-linge. • High (Élevée): Utiliser pour les sous-vêtements, T-shirts et cotons épais. • Medium (Moyenne) : Utiliser pour les tissus infroissables ou sans repassage et synthétiques. • Low (Basse) : Utiliser pour les jeans ou les articles délicats nécessitant une vitesse d'essorage moindre. • No Spin (Sans essorage): le tambour ne tourne pas après le programme final de vidange. • Arrêt cuve pleine (pas de lampe allumée): Le programme final de rinçage est interrompu de sorte que le linge reste dans l'eau. Pour essorer le linge, lancez un programme de vidange ou de rinçage.
05 Soil Level (Degré de salissure)	<p>Permet de sélectionner le degré de salissure/temps de lavage.</p> <ul style="list-style-type: none"> • Heavy (Très sale): linge très sale. • ^ • Normal (Normal): linge moyennement sale. Ce réglage convient à la plupart des lessives. • ∇ • Light (Peu sale): linge peu sale.
06 Extra Rinse (Rinçage Extra)	<p>Appuyez sur ce bouton pour ajouter un programme de rinçage supplémentaire à la fin du programme afin de mieux éliminer les additifs et les parfums.</p>
07 Delay End (Arrêt Différé)	<p>Vous pouvez différer la fin d'un cycle jusqu'à 24 heures par tranches d'une heure. L'heure affichée est celle à laquelle le lavage se terminera. (Voir page 37).</p>
08 My Cycle (Mon cycle)	<p>Permet de programmer votre cycle préféré (température, essorage, degré de salissure, options, etc. (voir page 39)</p>
09 Super Speed (Super Vitesse)	<p>Appuyez sur ce bouton si vous souhaitez réduire le temps de lavage, applicable aux programmes Normal (Normal), Deep steam (Vapeurs profondes), Heavy Duty (Grand rendement) ou Allergen (Allergène). La réduction de temps peut différer selon Programme/Charge/Option.</p>
10 Démarrer/Pause	<p>Appuyez pour démarrer ou terminer une opération.</p>
11 Marche/Arrêt	<p>Appuyez pour mettre en marche/arrêter le lave-linge.</p>

Fonctionnement

Étapes simples pour démarrer



1. Appuyez sur le bouton **Marche/Arrêt** pour allumer votre lave-linge.
2. Tournez le **Sélecteur de programme** pour sélectionner un programme.
3. Changez les réglages du programme (**Temp. (Température)**, **Spin (Essorage)**, et **Soil Level (Degré de salissure)**) si nécessaire.
4. Sélectionnez les options souhaitées si nécessaire.
5. Appuyez sur le bouton **Démarrer/Pause**.

Pour changer le programme quand l'appareil fonctionne

1. Appuyez sur le bouton **Démarrer/Pause** pour arrêter le fonctionnement.
2. Sélectionnez un programme différent.
3. Appuyez de nouveau sur le bouton **Démarrer/Pause** pour démarrer le nouveau programme.

AVERTISSEMENT

Ne posez aucun objet sur l'appareil lorsque celui-ci est en cours de fonctionnement.

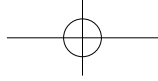
Présentation des cycles

Programmes standard

Programme	Description
NORMAL (NORMAL)	<ul style="list-style-type: none">Pour cotons, linge de lit, linge de table, sous-vêtements, serviettes ou chemises. Le temps de lavage et compteur de rinçage sont automatiquement réglés selon la charge.
DEEP STEAM (VAPEURS PROFONDES)	<ul style="list-style-type: none">Adapté aux vêtements très sales et aux tissus grand teint, ce programme lave à très haute température et utilise la vapeur pour une plus grande efficacité. (Voir page 40).
HEAVY DUTY (GRAND RENDEMENT)	<ul style="list-style-type: none">Pour le linge très sale et textiles épais grand teint.
SANITIZE (STÉRILISATION)	<ul style="list-style-type: none">Convient au linge très sale et tissus grand teint. La température de l'eau atteint 150 °F afin d'éliminer les bactéries. <p>NOTE</p> <p>Si vous sélectionnez Pause lors de la phase de chauffe du programme Stérilisation, le hublot reste verrouillé pour des raisons de sécurité.</p> <p>Quand vous sélectionnez ce programme, l'eau chauffe à une température très élevée et élimine certaines bactéries que l'on trouve particulièrement sur les vêtements, la literie ou les serviettes de toilette.</p> <p>Veuillez vérifier l'étiquette de nettoyage du vêtement pour éviter tout dégât à celui-ci.</p>
ALLERGEN (ALLERGÈNE)	<ul style="list-style-type: none">ce programme s'applique à l'élimination des acariens, squames animales ou autres substances allergiques du tissu.
SELF CLEAN (AUTONETTOYAGE)	<ul style="list-style-type: none">Utilisez ce cycle pour éliminer la saleté et les bactéries du tambour. Une utilisation régulière (toutes les 40 lessives) est recommandée. Aucune lessive ni eau de Javel n'est nécessaire (voir page 41).
RINSE+SPIN (RINÇAGE + ESSORAGE)	<ul style="list-style-type: none">Utilisez pour des charges qui nécessitent uniquement un rinçage ou pour ajouter un adoucissant avec rinçage à une charge.

Fonctionnement

Programme	Description
ACTIVE WEAR (VÊTEMENTS QUOTIDIENS)	<ul style="list-style-type: none">Utilisez ce programme pour laver les vêtements de sport tels que survêtements, pantalons de sport en jersey, chemises/hauts et autres vêtements de sport. Ce programme permet d'éliminer la saleté du linge délicat de manière efficace avec un lavage adapté.
PERM PRESS (REPASSAGE FACILE)	<ul style="list-style-type: none">Pour les tissus synthétiques, infroissables et le linge peu à moyennement sale.
DELICATES (DÉLICATS)	<ul style="list-style-type: none">Pour tissus extra-fins, soutiens-gorge, lingerie (soie), et autres tissus lavables uniquement à la main.Pour des résultats optimaux, utilisez de la lessive liquide.
WOOL (LAINE)	<p>lainages lavables en machine. La charge doit être inférieure à : 8 livres. Pour de meilleurs résultats, nous recommandons une charge de 4,4 livres ou moins.</p> <ul style="list-style-type: none">Le programme Laine lave le linge en déplaçant le tambour horizontalement afin de préserver les caractéristiques des fibres de la laine et d'éviter l'endommagement du linge. Il s'arrête ensuite pendant un moment pour que le linge trempe dans l'eau. Cette pause dans le fonctionnement du programme Wool (Laine) est normale.Il est recommandé d'utiliser une lessive neutre pour éviter d'endommager le linge et améliorer les performances de lavage.
QUICK WASH (LAVAGE RAPIDE)	<ul style="list-style-type: none">vêtements peu sales dont vous avez besoin rapidement.



Options

Option	Description
Extra Rinse (Rinçage Extra)	<ul style="list-style-type: none"> Ajoutez un programme de rinçage supplémentaire à la fin du programme afin de mieux éliminer les additifs.
My Cycle (Mon Cycle)	<ul style="list-style-type: none"> Permet de programmer votre cycle préféré (température, essorage, degré de salissure, options, etc.).
Super Speed (Super Vitesse)	<ul style="list-style-type: none"> Appuyez sur ce bouton si vous devez diminuer le temps de lavage, applicable pour le programme NORMAL (NORMAL), DEEP STEAM (VAPEURS PROFONDES), HEAVY DUTY (GRAND RENDEMENT) ou ALLERGEN (ALLERGÈNE). La réduction de temps peut différer selon Programme/Charge/Option.
Delay End (Arrêt Différé)	<ul style="list-style-type: none"> Le temps affiché se réfère au temps de fin d'un programme sélectionné.

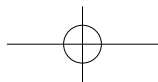
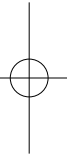
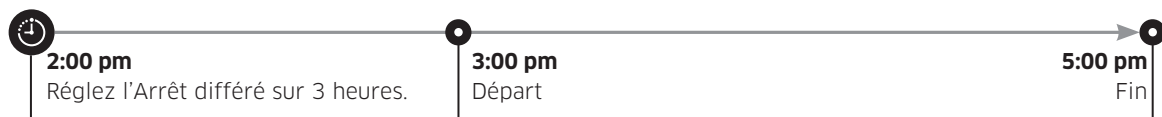
Delay End (Arrêt Différé)

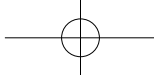
Vous pouvez programmer votre lave-linge pour que le cycle de lavage se termine automatiquement plus tard, en choisissant un arrêt différé de 1 à 24 heures (par tranches d'une heure). L'heure affichée correspond à celle à laquelle le cycle de lavage se terminera.

- Sélectionnez un programme. Puis changez les réglages du programme si nécessaire.
- Appuyez sur **Delay End (Arrêt Différé)** de manière répétée jusqu'à ce que vous ayez réglé une heure de fin désirée.
- Appuyez sur le bouton **Démarrer/Pause**.
L'indicateur de temps s'allume avec le décomptage du temps.
- Pour annuler **Delay End (Arrêt Différé)**, redémarrer votre lave-linge en appuyant sur **Marche/Arrêt**.

Exemple d'utilisation

Vous souhaitez terminer un programme de deux heures après dans 3 heures à partir de maintenant. Pour cela, vous ajoutez l'option Arrêt différé au programme actuel avec le réglage 3-heures, et vous appuyez sur le bouton **Démarrer/Pause** à 14.00. Puis, que se passe-t-il ? Le lave-linge commence à fonctionner à 15.00 et termine à 17.00. Voici le calendrier horaire pour ce cas.






Fonctionnement

Fonctions spéciales

Ajout de vêtements

Il est possible d'ajouter ou de retirer du linge après le démarrage du lavage tant que le voyant «  » est allumé. Une pression sur le bouton **DÉMARRER/PAUSE** permet de déverrouiller le hublot, sauf si l'eau est trop chaude ou si l'appareil contient trop d'eau. Si vous ne parvenez pas à déverrouiller le hublot et souhaitez poursuivre le cycle de lavage, fermez le hublot et appuyez sur le bouton **DÉMARRER/PAUSE**.

Essorage seulement

Si vous appuyez sur le bouton **MARCHE/ARRÊT** puis maintenez enfoncé le bouton **Spin (Essorage)** pendant 3 secondes, le temps d'essorage s'affiche sur l'écran.

Puis, appuyez plusieurs fois sur le bouton **Spin (Essorage)** pour sélectionner le niveau d'essorage requis et appuyez sur le bouton **Démarrer/Pause**.

NOTE

- Avant d'appuyer sur le bouton Spin Only (Essorage seulement) pour utiliser la fonction correspondante, vous pouvez sélectionner un programme à l'aide du sélecteur de programme. Si vous avez sélectionné un programme, vous pouvez sélectionner uniquement le niveau d'essorage correspondant au programme sélectionné.



Child Lock (Sécurité enfant)

Cette fonction empêche les enfants de jouer avec le lave-linge.

Une fois la sécurité enfant activée, le panneau de commande ne peut pas être activé, empêchant ainsi les enfants de jouer avec le lave-linge.


Activation de la fonction Sécurité enfant

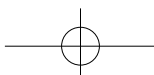
Maintenez simultanément enfoncés les boutons **Soil Level (Degré de salissure)** et **Extra Rinse (Rinçage Extra)** pendant environ 3 secondes.

- Lorsque la fonction Sécurité enfant est activée, le hublot se verrouille et le voyant « Child Lock (Sécurité enfant)  » s'allume.
- Si vous appuyez sur le bouton **Démarrer/Pause** après avoir activé la fonction Sécurité enfant, aucun bouton n'est actif sauf le bouton **MARCHE/ARRÊT**.
- Si vous appuyez sur un bouton alors qu'ils sont inactifs, le voyant « Child Lock (Sécurité enfant)  » clignote.

Pause de la fonction Sécurité enfant

Lorsque le hublot est verrouillé ou si les boutons sont inactifs car la fonction Sécurité enfant est activée, vous pouvez mettre en pause la Sécurité enfant pendant 1 minute en maintenant appuyés simultanément les boutons **Soil Level (Degré de salissure)** et **Extra Rinse (Rinçage Extra)** pendant environ 3 secondes.

- Si le mode Sécurité enfant est mis momentanément en pause, le hublot est déverrouillé pendant 1 minute pour plus de commodité. Pendant ce laps de temps, le voyant « Child Lock (Sécurité enfant)  » clignote.



- Si le hublot est ouvert alors que la minute est écoulée, une alarme retentit pendant 2 minutes maximum.
- Si le hublot est fermé avant que ne soit écoulé ce temps, il est verrouillé et la fonction Sécurité enfant est réactivée. Si vous fermez le hublot après 2 minutes, celui-ci n'est pas automatiquement verrouillé et une alarme retentit.

Désactivation de la fonction Sécurité enfant

Maintenez simultanément enfoncés les boutons Soil Level (Degré de salissure) et Extra Rinse (Rinçage Extra) pendant environ 6 secondes.

Ou, dans le statut "Mettre en pause la fonction Child lock (Sécurité enfant)", appuyez et maintenez les boutons Soil Level (Degré de salissure) et Extra Rinse (Rinçage Extra) pendant environ 3 secondes supplémentaires.

AVERTISSEMENT

- Si la fonction Sécurité enfant est désactivée, le hublot est déverrouillé et le voyant « Child Lock (Sécurité enfant) » s'éteint.
- La fonction Sécurité enfant permet d'éviter que les enfants ou personnes handicapées ne fassent fonctionner involontairement le lave-linge et ne se blessent.
- Si un enfant entre dans le lave-linge, il risque d'être piégé et d'étouffer.
- Une fois la fonction Sécurité enfant activée, elle reste active même si la machine est mise hors tension.
- L'ouverture du hublot par la force peut entraîner des blessures du fait des dommages causés à l'appareil.

ATTENTION

Pour ajouter du linge après activation de la fonction Sécurité enfant, vous devez d'abord l'interrompre ou la désactiver.

NOTE

Si vous voulez ouvrir le hublot de l'appareil alors que la fonction Sécurité enfant est activée :

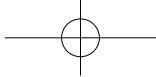
- Mettez en pause ou désactivez la fonction Sécurité enfant.
- Mettez le lave-linge hors tension, puis allumez-le à nouveau.

My Cycle (Mon Cycle)

Créez votre propre programme de lavage avec vos réglages préférées, et utilisez le programme avec un seul bouton.

Pour créer votre propre programme

1. Tournez le **Sélecteur de programme** pour sélectionner un programme.
2. Changez les réglages du programme (**Temp. (Température)**, **Spin (Essorage)**, et **Soil Level (Degré de salissure)**) si nécessaire.
3. Pour ajouter une option, appuyez sur les touche correspondantes.



Fonctionnement


- Maintenez appuyé **My Cycle (Mon Cycle)** pendant 3 secondes pour enregistrer vos réglages. Les indicateurs applicables clignotent pendant 3 secondes.
Une fois que vous avez enregistré le programme, vous pouvez l'utiliser en appuyant sur **My Cycle (Mon Cycle)**.

NOTE

Si vous appuyez et relâchez le bouton **My Cycle (Mon Cycle)** avant les 3 secondes, le programme et les options précédemment enregistrés s'affichent.

Son

Couper ou remettre le son.

- Pour couper ou remettre le son, maintenez appuyé le bouton **Temp. (Température)** pendant 3 secondes. Quand le son est coupé,  l'indicateur s'allume.

Utilisation du lavage vapeur

Si vous utilisez le lavage Deep Steam (Vapeurs Profondes), la vapeur agit au moment le plus opportun pour la quantité de linge détectée, optimise l'effet de la vapeur, augmente la température de lavage, améliore l'effet de trempage ainsi que les performances de lavage.

- Chargez le lave-linge.
- Appuyez sur le bouton **Marche/arrêt**.
- Tournez la molette de sélection de programme et choisissez un Programme **Deep Steam (Vapeurs Profondes)**.
- Ajoutez la lessive et l'adoucissant dans les compartiments correspondants jusqu'au trait.
- Appuyez sur le bouton **Démarrer/Pause**.
Le lave-linge pèse le linge et sélectionne automatiquement les meilleures conditions de lavage.

NOTE

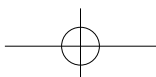
- La vapeur n'est pas nécessairement visible pendant les cycles Vapeur. La vapeur n'est pas obligatoirement utilisée pendant tout le cycle de lavage vapeur.

Fonction ATC (Autocontrôle de température)

La fonction ATC permet au lave-linge de contrôler la température de l'eau dans chaque processus de lavage en utilisant la thermistance interne. Elle est conçue pour maintenir un certain niveau de température de lavage pour de meilleurs résultats.

NOTE

- Si vous sélectionnez **NORMAL** ou **HEAVY DUTY (GRAND RENDEMENT)**, vous pouvez remarquer que le lave-linge s'alimente en eau froide. Ceci est normal puisque l'appareil est conçu pour réduire la consommation d'énergie.
- Dans ces programmes, la température chaude est semblable aux températures d'eau du bain, et la température Tiède à des températures agréables de piscines.
- Pour laver du linge à une température spécifique, vous devez d'abord choisir un programme différent.



Maintenance

Gardez votre lave-linge propre pour éviter que les performances ne se détériorent et pour préserver le cycle de vie.

Self Clean (Autonettoyage)

Exécutez ce programme régulièrement pour nettoyer le tambour, et pour enlever les bactéries de celui-ci.

1. Appuyez sur le bouton **Marche/Arrêt** pour allumer votre lave-linge.
2. Appuyez sur le bouton **Self Clean (Autonettoyage)**.
3. Appuyez sur le bouton **Démarrer/Pause**.

NOTE

La température de l'eau pour **Self Clean (Autonettoyage)** est réglée sur **Extra Hot (Extra Chaud)**, et cela ne peut être changé.

ATTENTION

N'utilisez pas d'agents de nettoyage pour nettoyer le tambour. Des résidus chimiques dans le tambour détériorent les performances de lavage.

Rappel Self Clean (Autonettoyage)

- Le rappel **Self Clean (Autonettoyage)** apparaît sur l'écran principal une fois tous les 40 lavages. Il est conseillé d'exécuter régulièrement l' **Self Clean (Autonettoyage)**.
- Quand vous voyez ce rappel pour la première fois, vous pouvez l'ignorer pendant 6 lavages consécutifs. A partir du 7^{ème} lavage, le rappel n'apparaît plus. Cependant, il apparaît de nouveau au 40^{ème} lavage.

Maintenance

Smart Care (Entretien intelligent)

Pour activer cette fonction, vous devez d'abord télécharger l'application Samsung Smart Washer dans le Play Store ou l'Apple Store, et l'installer sur un dispositif mobile disposant d'une fonction caméra.

La fonction Smart Care (Entretien intelligent) doit être optimisée pour :
Les séries Galaxy & iPhone (ne peut être pris en charge pour certains modèles)

Le lave-linge exécute l'autodiagnostic en arrière plan et affiche un code d'informations en cas de détection d'erreur. Si c'est le cas, suivre les étapes ci-dessous:

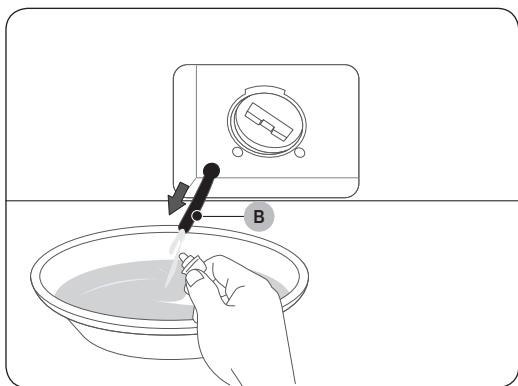
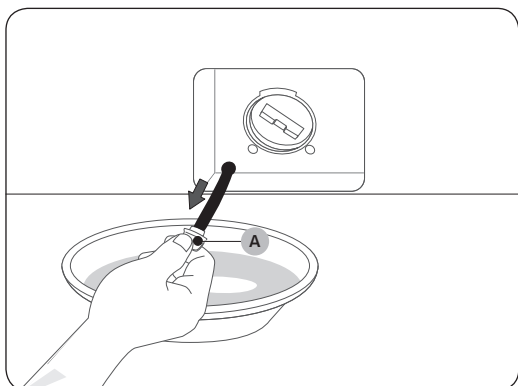
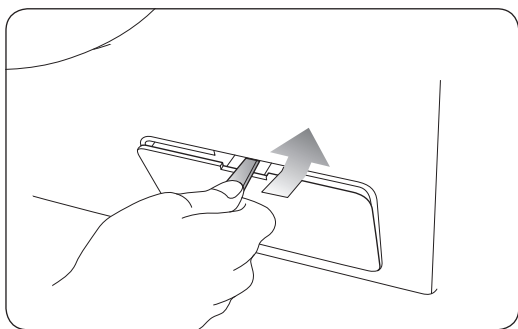
1. Lancez l'application Samsung Smart Washer sur votre dispositif mobile, appuyez sur le bouton **Super Speed (Super Vitesse)** pendant 3 secondes dans les 10 secondes après la mise sous tension en appuyant sur le bouton **Marche/Arrêt**.
2. Placez le dispositif mobile devant le panneau d'affichage du lave-linge de sorte que le dispositif mobile et le lave-linge se fassent face. Le code information sera alors automatiquement reconnu par l'application.
3. Quand le code erreur est correctement reconnu, l'application fournit des informations détaillées de l'erreur en vue d'autres actions.

NOTE

- Le nom de la fonction, Smart Care (Entretien intelligent), peut varier selon la langue.
- Si le lave-linge reflète une lumière sur l'affichage, l'application n'a pas pu reconnaître le code information.
- Si l'application n'a pas pu reconnaître le code Smart Care (Entretien intelligent) de manière consécutive, saisissez manuellement le code information sur l'écran de l'application.

Vidange d'urgence

Dans le cas d'une panne de courant, vidangez l'eau du tambour avant d'enlever le linge.



1. Coupez l'alimentation et débranchez le lave-linge de la prise électrique.
2. Appuyez doucement sur la zone supérieure du capot du filtre pour ouvrir.

3. Placez un réservoir vide et assez grand autour du couvercle, et étirez le tube de vidange d'urgence autour du couvercle jusqu'au réservoir tout en tenant le **capuchon du tube (A)**.

4. Ouvrez le capuchon du tube et laissez l'eau du **tuyau de Vidange d'urgence (B)** s'écouler dans le réservoir.
5. Quand c'est terminé, fermez le capuchon du tube et réinsérez le tube. Puis, fermez le couvercle du filtre.

NOTE

Utilisez un réservoir assez grand car il peut y avoir plus d'eau que prévu dans le tambour.

Maintenance

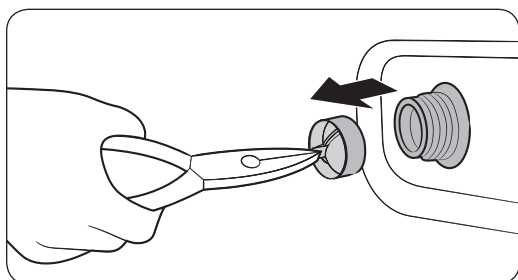
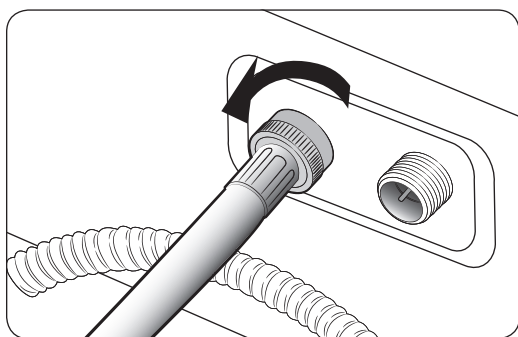
Nettoyage

Surface du lave-linge

Utilisez un chiffon doux avec un détergent ménager non-abrasif. Ne versez pas d'eau sur le lave-linge.

Filtre fin

Nettoyez le filtre fin du tuyau d'arrivée d'eau une ou deux fois par an.



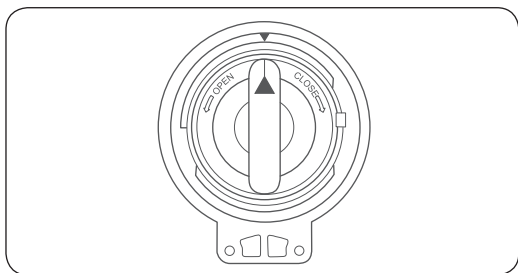
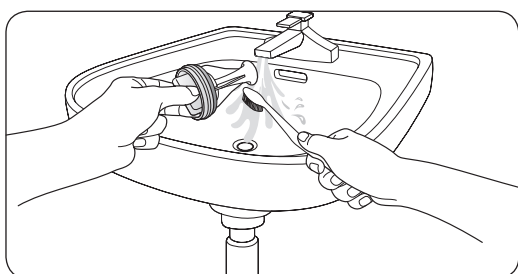
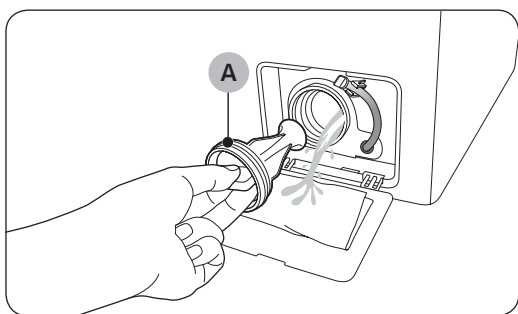
1. Coupez le lave-linge et débranchez le cordon d'alimentation.
2. Fermez le robinet d'eau.
3. Dévissez et débranchez le tuyau d'arrivée d'eau situé à l'arrière du lave-linge. Couvrez le tuyau avec un chiffon pour éviter que l'eau ne se répande.
4. Utilisez des pinces pour retirer le filtre à maille de la vanne d'entrée.
5. Immergez le filtre à maille dans l'eau en veillant à ce que le raccord fileté soit lui aussi sous l'eau.
6. Séchez le filtre fin à l'ombre.
7. Réinsérez le filtre à maille dans la vanne d'entrée, et reconnectez le tuyau d'eau à la vanne d'entrée.
8. Ouvrez le robinet d'eau.

NOTE

Si le filtre fin est obstrué, un code information « 4C » apparaît sur l'écran.

Filtre de la pompe

Il est conseillé de nettoyer le filtre de la pompe 5 ou 6 fois par an pour éviter qu'il ne se bouche.



1. Coupez le lave-linge et débranchez le cordon d'alimentation.
2. Vidangez l'eau restante dans le tambour. Consultez la section « Vidange d'urgence ».
3. Ouvrez le capot du filtre en utilisant une pièce de monnaie ou une clé.
4. Tournez le **bouton du filtre de la pompe (A)** vers la gauche, et vidangez l'eau restante.
5. Nettoyez le filtre de la pompe en utilisant des brosses douces. Assurez-vous que l'hélice de la pompe de vidange située dans le filtre n'est pas bloquée.
6. Réinsérez le filtre de la pompe et tournez le bouton du filtre vers la droite.

NOTE

- Certains filtres de pompe disposent d'un bouton de sécurité conçu pour éviter les accidents impliquant des enfants. Pour ouvrir le bouton de sécurité du filtre de la pompe, poussez-le et tournez-le dans le sens antihoraire. Le mécanisme à ressort du bouton de sécurité permet d'ouvrir le filtre.
- Pour fermer le bouton de sécurité du filtre de la pompe, tournez-le dans le sens horaire. Le ressort émet un cliquetis, ce qui est normal.

NOTE

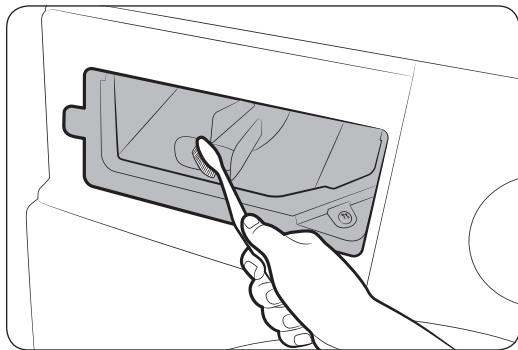
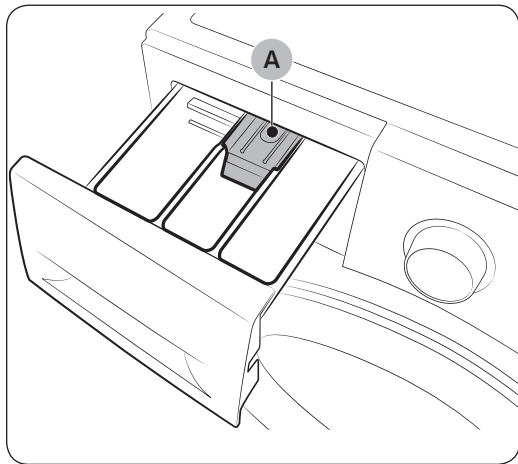
Si le filtre de la pompe est obstrué, un code information « 5C » apparaît sur l'écran.

ATTENTION

- Assurez-vous que le bouchon du filtre soit correctement fermé après avoir nettoyé le filtre. Sinon cela pourrait provoquer une fuite.
- Assurez-vous que le filtre soit correctement inséré après l'avoir. Sinon cela pourrait provoquer une panne de fonctionnement ou une fuite.

Maintenance

Tiroir à lessive

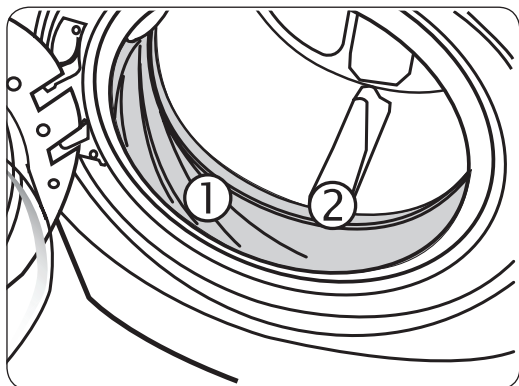


1. Tout en abaissant la **manette d'ouverture (A)** à l'intérieur du tiroir, faites glisser le tiroir.
2. Enlevez le **levier de desserrage** et le compartiment pour lessive liquide du tiroir.
3. Nettoyez les composants du tiroir dans de l'eau en utilisant une brosse douce.
4. Nettoyez le recoin du tiroir en utilisant une brosse douce.
5. Réinsérez la **manette d'ouverture** et le **Conteneur à lessive liquide** dans le tiroir.
6. Faites glisser le tiroir vers l'intérieur pour le fermer.

NOTE

Pour enlever la lessive restante, effectuez le programme RINSE+SPIN (RINÇAGE+ESSORAGE), avec le tambour vide.

Diaphragme du hublot



1. Ouvrez le hublot et retirez tous les vêtements ou articles du tambour.
2. Vérifiez qu'il n'y ait pas de substances étrangères sur les diaphragmes ① entre le couvercle et le tambour. Pour vérifier ceci, coupez le Diaphragme ②.
3. Si des substances étrangères sont présentes, retirez-les.
4. Si vous constatez des zones tachées, essuyez-les en respectant la procédure ci-dessous :
 - a) Mélangez soigneusement $\frac{3}{4}$ de tasse (177 ml) d'eau de Javel chlorée et 1 gallon (3,8 l) d'eau chaude du robinet.
 - b) Essuyez la zone du diaphragme avec la solution diluée en utilisant un chiffon humide.
 - c) Laissez reposer 5 minutes.
 - d) Essuyez soigneusement la zone avec un chiffon sec et laissez le hublot ouvert pour que l'intérieur du lave-linge sèche.

ATTENTION

Portez toujours des gants en caoutchouc pour les opérations de nettoyage prolongées. Reportez-vous aux instructions du fabricant de l'eau de Javel pour utiliser le produit correctement.

Récupération après gel

Le lave-linge peut geler quand la température tombe en-dessous de 0°C.

1. Coupez le lave-linge et débranchez le cordon d'alimentation.
2. Versez de l'eau chaude sur le robinet d'eau pour assouplir le tuyau d'arrivée d'eau.
3. Débranchez le tuyau d'arrivée d'eau et immergez-le dans de l'eau chaude.
4. Versez de l'eau chaude dans le tambour et laissez agir environ 10 minutes.
5. Raccordez le tuyau d'arrivée d'eau au robinet d'eau.

Maintenance

NOTE

Si le lave-linge ne fonctionne toujours pas normalement, répétez les étapes ci-dessus jusqu'à ce qu'il fonctionne normalement.

Faites attention à une inutilisation prolongée

Évitez de laisser le lave-linge inutilisé pendant une durée prolongée. Si c'est le cas, vidangez le lave-linge et débranchez le cordon d'alimentation.

1. Tournez le **Sélecteur de programme** pour sélectionner un programme **RINSE+SPIN (RINÇAGE+ESSORAGE)**.
2. Videz le tambour et appuyez sur le bouton **Démarrer/Pause**.
3. Quand le programme est terminé, fermez le robinet d'eau et débranchez le tuyau d'arrivée d'eau.
4. Coupez le lave-linge et débranchez le cordon d'alimentation.
5. Ouvrez le hublot pour laisser l'air circuler par le tambour.

Nettoyer l'extérieur

1. Fermez les robinets d'alimentation en eau après avoir terminé la lessive de la journée. Cela coupera l'alimentation d'eau vers votre lave-linge et évitera la possibilité peu probable de dommages du fait de l'écoulement d'eau. Laissez le hublot ouvert pour permettre à l'intérieur de votre lave-linge de sécher.
2. Utilisez un chiffon doux pour essuyer les traces de lessive, d'agent de blanchiment ou d'autres produits sur les parois de la machine.
Conseils de nettoyage recommandés :
 - Panneau de commande : nettoyez-le avec un chiffon doux et humide. N'utilisez pas de poudres abrasives ni de tampons à récurer. Ne pulvérissez pas.
 - d'agents nettoyants directement sur le panneau.

Nettoyer l'intérieur

Nettoyez régulièrement le tambour pour enlever la poussière, la saleté, les odeurs, les moisissures ou les bactéries qui pourraient s'y être accumulées après une lessive.

ATTENTION

Le non-respect de ces instructions peut avoir des conséquences désagréables, comme le dégagement d'odeurs désagréables ou le transfert de traces indélébiles sur le lave-linge ou le linge.

NOTE

Éliminez les dépôts calcaires si besoin. Utilisez un produit adapté aux lave-linge.

Dépannage

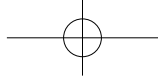
Contrôles à effectuer

Si vous rencontrez un problème avec le lave-linge, consultez d'abord le tableau ci-dessous et essayez les actions suggérées.

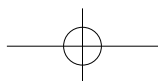
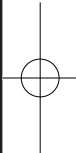
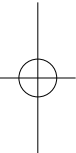
Problème	Action
Ne démarre pas.	<ul style="list-style-type: none">Assurez-vous que le lave-linge est branché.Assurez-vous que la porte est bien fermée.Assurez-vous que les robinets d'eau sont ouverts.Assurez-vous d'appuyer ou de taper sur Démarrer/Pause pour démarrer le lave-linge.Assurez-vous que Sécurité enfant n'est pas activé.Avant que le lave-linge commence à se remplir, il fera une série de bruits de cliquetis pour contrôler le verrouillage de la porte et effectuera une brève vidange.Vérifiez le fusible ou réinitialisez le disjoncteur.
L'alimentation d'eau est insuffisante, ou il n'y a pas d'alimentation d'eau.	<ul style="list-style-type: none">Ouvrez complètement le robinet d'eau.Assurez-vous que la porte est bien fermée.Assurez-vous que le tuyau d'eau n'est pas gelé.Vérifiez que le tuyau d'arrivée d'eau n'est pas coudé ou obstrué.Assurez-vous qu'il y a suffisamment de pression d'eau.
Après un programme, de la lessive reste dans le tiroir à détergent.	<ul style="list-style-type: none">Assurez-vous que la pression d'eau est suffisante pour faire fonctionner le lave-linge.Assurez-vous que de la lessive a été ajoutée dans le bac central du tiroir à lessive.Assurez-vous que le capuchon de rinçage est bien inséré.Si vous utilisez de la lessive granulaire, assurez-vous que le sélecteur de lessive se trouve en position vers le haut.Enlevez le capuchon de rinçage et nettoyez le tiroir à lessive.
Vibrations ou bruits excessifs.	<ul style="list-style-type: none">Assurez-vous que le lave-linge est installé sur un sol plat et solide et non glissant. Si le sol n'est pas plat, utilisez le pied de mise à niveau pour régler la hauteur du lave-linge.Assurez-vous que les vis de transport ont été retirées.Assurez-vous que le lave-linge n'est en contact avec aucun autre objet.Assurez-vous que la charge de linge est bien équilibrée.Le moteur peut faire du bruit en fonctionnement normal.Des salopettes ou vêtements décorés de parties métalliques peuvent faire du bruit lors du lavage. Ceci est normal.Des objets métalliques tels que les pièces peuvent faire du bruit. Après le lavage, enlever ces objets du tambour ou du compartiment du filtre.

Dépannage

Problème	Action
Ne vidange pas et/ ou n'essore pas.	<ul style="list-style-type: none">• S'assurer que le tuyau de vidange est redressé sur tout le système de vidange. Si vous trouvez un blocage dans la vidange, appelez le centre de service.• Assurez-vous que le filtre à impuretés n'est pas bouché.• Fermez la porte, puis appuyez ou tapez sur Démarrer/ Pause. Pour votre sécurité, le lave-linge ne séchera pas et n'essorera pas tant que la porte ne sera pas fermée.• Assurez-vous que le tuyau de vidange n'est pas gelé ni obstrué.• Assurez-vous que le tuyau de vidange est raccordé à un système de vidange qui n'est pas obstrué.• Si le lave-linge ne reçoit pas une alimentation suffisante, il peut temporairement ne pas vidanger ou essorer. Dès que le lave-linge récupèrera suffisamment de puissance, il fonctionnera normalement.
La porte ne s'ouvre pas.	<ul style="list-style-type: none">• Appuyez ou tapez sur Démarrer/Pause pour démarrer le lave-linge.• Le mécanisme de verrouillage de la porte se désenclenche au bout de quelques instants.• La porte ne s'ouvrira pas avant 3 minutes après l'arrêt du lave-linge ou une fois l'alimentation coupée.• Assurez-vous que toute l'eau du tambour a été vidangée.• La porte peut ne pas s'ouvrir si de l'eau reste dans le tambour. Vidangez le tambour et ouvrez manuellement la porte.• Assurez-vous que la lumière du verrouillage de la porte est coupée. La lumière du verrouillage de la porte se coupe une fois que le lave-linge a fini de vidanger.
Trop de mousse.	<ul style="list-style-type: none">• Assurez-vous de bien utiliser les types de lessives recommandés tel qu'approprié.• Utilisez de la lessive à haute efficacité (HE) pour éviter une quantité excessive de mousse.• Réduisez le volume de lessive pour l'eau douce, les petites charges ou les charges légèrement sales.• De la lessive non-HE n'est pas recommandée.
Impossible de mettre de mettre plus de lessive.	<ul style="list-style-type: none">• Assurez-vous que le volume de lessive et d'adoucissant restant ne dépasse pas la limite.



Problème	Action
Le lave-linge s'arrête.	<ul style="list-style-type: none"> • Branchez le cordon d'alimentation dans une prise en tension. • Vérifiez le fusible ou réinitialisez le disjoncteur. • Fermez le hublot et appuyez sur le bouton Démarrer/Pause pour démarrer votre lave-linge. Pour votre sécurité, le lave-linge ne séchera pas et n'essorera pas tant que la porte ne sera pas fermée. • Avant que le lave-linge commence à se remplir, il fera une série de bruits de cliquetis pour contrôler le verrouillage de la porte et effectuera une brève vidange. • Il peut y avoir une période de pause ou de trempage dans le programme. Attendez un peu et le lave-linge redémarrera. • Assurez-vous que le filtre à maille du tuyau d'alimentation d'eau sur les robinets d'eau n'est pas obstrué. Nettoyez périodiquement le filtre à maille. • Si le lave-linge ne reçoit pas une alimentation suffisante, il peut temporairement ne pas vidanger ou essorer. Dès que le lave-linge récupèrera suffisamment de puissance, il fonctionnera normalement.
Se remplit avec la mauvaise température d'eau.	<ul style="list-style-type: none"> • Ouvrez complètement les deux robinets. • Assurez-vous que la sélection de température est correcte. • Assurez-vous que les tuyaux sont raccordés aux bons robinets. Vidangez les conduites d'eau. • Assurez-vous que le chauffe-eau est réglé de manière à fournir de l'eau chaude à 120 °F (49 °C) au robinet. De même, vérifiez la capacité du chauffe-eau et du taux de récupération. • Déconnectez les tuyaux et nettoyez le filtre à maille. Le filtre à maille peut être obstrué. • Quand le lave-linge se remplit, la température de l'eau peut changer puisque la fonction de contrôle automatique de la température contrôle la température de l'eau entrante. Ceci est normal. • Quand le lave-linge se remplit, vous pouvez constater que seule de l'eau chaude et/ou seule de l'eau froide passe par le distributeur quand des températures froides ou chaudes sont sélectionnées. Il s'agit d'une fonction normale de la fonction de contrôle automatique de la température puisque le lave-linge détermine la température de l'eau.



Dépannage

Problème	Action
La charge est humide à la fin d'un programme.	<ul style="list-style-type: none">• Utilisez la vitesse d'essorage Élevée ou Très élevée.• Utilisez de la lessive à haute efficacité (HE) pour réduire la quantité excessive de mousse.• La charge est trop petite. De petites charges (un ou deux articles) peuvent provoquer un déséquilibre et ne pas essorer complètement.• Assurez-vous que le tuyau de vidange n'est pas entortillé ni obstrué.
Fuites d'eau.	<ul style="list-style-type: none">• Assurez-vous que la porte est bien fermée.• Assurez-vous que tous les raccords des tuyaux sont étanches.• S'assurer que l'extrémité du tuyau de vidange est correctement inséré et fixé sur le système de vidange.• Éviter les surcharges.• Utilisez de la lessive à haute efficacité (HE) pour éviter une quantité excessive de mousse.
Odeurs.	<ul style="list-style-type: none">• Une quantité excessive de mousse peut s'amasser dans les recoins peut provoquer des mauvaises odeurs.• Lancez des programmes de nettoyage pour assainir périodiquement.• Nettoyez le joint de la porte (diaphragme).• Séchez l'intérieur du lave-linge une fois un programme terminé.
Aucune bulle apparente (Modèles Bubbleshot uniquement).	<ul style="list-style-type: none">• La surcharge peut filtrer les bulles.• Du linge extrêmement sale peut ne pas générer de bulles.

Si le problème persiste, contactez le service clientèle de Samsung le plus proche.

Codes d'information

En cas de dysfonctionnement de votre lave-linge, un code d'information peut apparaître sur l'écran. Vérifiez le tableau ci-dessous et essayez les suggestions.

Code	Action
4C	L'eau n'arrive pas. <ul style="list-style-type: none">Assurez-vous que les robinets d'eau sont ouverts.Assurez-vous que les tuyaux de vidange ne sont pas obstrués.Assurez-vous que les robinets d'eau ne sont pas gelés.Assurez-vous que le lave-linge fonctionne avec une pression d'eau suffisante.Assurez-vous que le robinet d'eau froide et le robinet d'eau chaude sont bien raccordés.Nettoyez le filtre à maille car il peut être obstrué.
4C2	<ul style="list-style-type: none">Assurez-vous que le tuyau d'arrivée d'eau froide est bien raccordé au robinet d'eau froide. S'il est raccordé au robinet d'eau chaude, le linge peut être déformé avec certains programmes.
5C	L'eau n'est pas vidangée. <ul style="list-style-type: none">Assurez-vous que le tuyau de vidange n'est pas gelé ni obstrué.Assurez-vous que le tuyau de vidange est positionné correctement, selon le type de raccordement.Nettoyez le filtre à débris car il peut être obstrué.S'assurer que le tuyau de vidange est redressé sur tout le système de vidange.Si le code information reste, contactez un centre de service client.
dC	Utilisation du lave-linge avec la porte ouverte. <ul style="list-style-type: none">Assurez-vous que la porte est bien fermée.Assurez-vous que le linge n'est pas pris dans la porte.
OC	L'eau déborde. <ul style="list-style-type: none">Redémarrez après essorage.Si le code information reste sur l'affichage, contactez un centre de service Samsung.
LC, LC1	Vérifiez le tuyau de vidange. <ul style="list-style-type: none">Assurez-vous que l'extrémité du tuyau de vidange est placée sur le sol.Assurez-vous que le tuyau de vidange n'est pas obstrué.Si le code information reste, contactez un centre de service client.

Dépannage

Code	Action
Ub	L'essorage ne fonctionne pas. <ul style="list-style-type: none">Assurez-vous que le linge est réparti de manière uniforme.Assurez-vous que le lave-linge se trouve sur une surface plate et stable.Rééquilibrez la charge. Si seul un vêtement nécessite un lavage, tel qu'une robe de chambre ou un jean, l'essorage final peut ne pas être satisfaisant, et un message de contrôle « Ub » s'affichera à l'écran.
3C	Vérifiez le fonctionnement du moteur. <ul style="list-style-type: none">Essayez de redémarrer le programme.Si le code information reste, contactez un centre de service client.
UC	Le contrôle électronique doit être vérifié. <ul style="list-style-type: none">Vérifier si l'alimentation arrive correctement.Si le code information reste, contactez un centre de service client.
	Faible tension détectée. <ul style="list-style-type: none">Vérifiez si le cordon d'alimentation est branché.Si le code information reste, contactez un centre de service client.
HC	Vérification du chauffage à haute température. <ul style="list-style-type: none">Si le code information reste, contactez un centre de service client.
1C	Le capteur de niveau d'eau ne fonctionne pas correctement. <ul style="list-style-type: none">Arrêtez l'appareil et redémarrez le programme.Si le code information reste, contactez un centre de service client.
AC	Vérifiez les communications enter réseau et sous-PBA. <ul style="list-style-type: none">Arrêtez l'appareil et redémarrez le programme.Si le code information reste, contactez un centre de service client.





Si un code d'informations continue à apparaître sur l'écran, contactez le service clientèle Samsung le plus proche.

Caractéristiques techniques

Tableau des symboles d'entretien des textiles

Les symboles suivants fournissent des conseils d'entretien des vêtements. Les étiquettes d'entretien des vêtements incluent des symboles relatifs au séchage, au blanchiment, au séchage et repassage ou au nettoyage à sec, le cas échéant. L'utilisation de ces symboles garantit la cohérence des informations entre les fabricants de vêtements (articles domestiques ou importés). Suivez les instructions sur l'étiquette d'entretien afin d'optimiser la durée de vie de votre linge et d'éviter des problèmes au lavage.

Cycle de lavage

	Normal
	Infroissable / Anti-froissement
	Délicat
	Lavage main




Température de l'eau

...	Chaud
..	Tiède
.	Froide



NOTE

Il s'agit des températures appropriées de l'eau de lavage pour divers articles. La plage de température pour Chaud est en-dessous de 135°F/57°C, pour Tiède en-dessous de 105°F/41°C et pour Froid en-dessous de 85°F/29°C. (La température de l'eau de lavage doit être d'un minimum de 16 °C pour l'activation de la lessive et le nettoyage efficace.)




Agent de blanchiment

	Tout type (si nécessaire)
	Agent de blanchiment non chloré (non décolorant) uniquement (si nécessaire)
	Séchage en machine






Normal

	Infroissable / Anti-froissement
	Délicat

Consignes spéciales



	Séchage sur corde/en suspension
	Séchage sans essorage
	Séchage à plat

Température





	Élevée
	Moyenne
	Basse
	Toutes températures
	Sans chaleur/À l'air libre


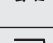
Caractéristiques techniques

Températures de repassage facile ou vapeur






	Élevée
	Moyenne
	Basse

Symboles d'avertissement pour le lavage

	Ne pas laver
	Ne pas tordre
	Chlorage interdit
	Séchage en machine interdit

	Pas de vapeur (ajoutée au fer à repasser)
	Repassage interdit

Nettoyage à sec

	Nettoyage à sec
	Pas de nettoyage à sec
	Séchage sur corde/en suspension
	Séchage sans essorage
	Séchage à plat

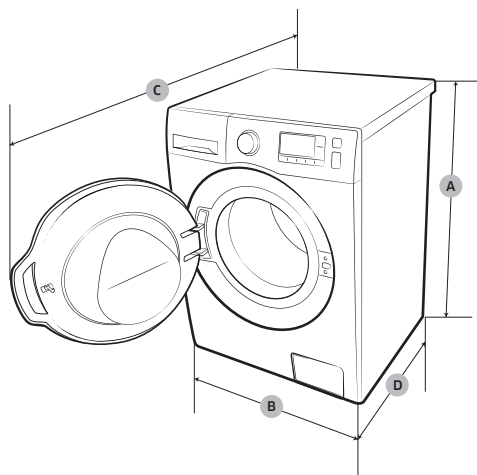
Protection de l'environnement

- Cet appareil a été fabriqué à partir de matériaux recyclables. Si vous décidez de vous en débarrasser, veuillez respecter les normes locales en matière de traitement des déchets. Coupez le cordon d'alimentation de façon à ce que l'appareil ne puisse pas être raccordé à une source électrique. Enlevez le couvercle pour que des animaux et des jeunes enfants ne se retrouvent pas piégés à l'intérieur de l'appareil.
- Ne dépassez pas les quantités de lessive préconisées par le fabricant de la lessive.
- N'utilisez de produits détachants et blanchissants avant le programme de lavage qu'en cas de nécessité.
- Économisez de l'eau et de l'électricité en ne faisant tourner que des charges pleines (la charge varie en fonction du programme utilisé).

Déclaration de conformité

Cet appareil est conforme à la norme UL2157.

Fiche technique



Type		Lave-linge à chargement frontal	
Dimensions (Pouces (mm))	A. Hauteur totale	33,5 (850)	
	B. Largeur	23,6 (600)	
	C. Profondeur avec hublot ouvert	43,3 (1100)	
	D. Profondeur	26,6 (675)	
Pression de l'eau (psi (kPa))		20 - 116 (137 - 800)	
Poids net (lb (kg))		156 (71)	
Vitesse d'essorage		1400 tr/min	
Puissance de chauffe (W)		900	
Puissance de chauffe	Lavage	120 V	200 W
	Lavage et chauffage	120 V	1150 W
	Essorage	120 V	550 W
	Vidange	120 V	80 W

Caractéristiques techniques

Caractéristiques techniques

Tableau des programmes

Utilisez ce tableau afin de définir les programmes et options les mieux adaptés à votre linge.

NOTE

Réglage	Temp. (Température)	Spin (Essorage)	Soil Level (Degré de salissure)
●: réglage d'usine	EH: Extra Hot (Extra Chaud)	EH: Extra High (Extra Élevée)	H: Heavy (Très sale)
●: peut être sélectionné	H: Hot (Chaud)	H: High (Élevée)	^
	W: Warm (Tiède)	M: Medium (Moyenne)	N: Normal (Normal)
	C: Cold (Froid)	L: Low (Faible)	∨
	TC: Tap Cold (Robinet d'eau froide)	NS: No Spin (Sans essorage)	L: Light (Peu sale)

WW22K6800A*

Programme	Temp. (Température)					Spin (Essorage)					Soil Level (Degré de salissure)				
	EH	H	W	C	TC	EH	H	M	L	NS	H	^	N	∨	L
NORMAL (NORMAL)	●	●	●	●	●	●	●	●	●	●	●	●	●	●	●
DEEP STEAM (VAPEURS PROFONDES)		●				●	●	●	●	●	●				
HEAVY DUTY (GRAND RENDEMENT)	●	●	●	●	●	●	●	●	●	●	●	●	●	●	●
SANITIZE (STÉRILISATION)	●					●	●	●	●	●	●	●	●	●	●
ALLERGEN (ALLERGÈNE)		●				●	●	●	●	●	●	●	●	●	●
SELF CLEAN (AUTONETTOYAGE)	●								●						
RINSE+SPIN (RINÇAGE + ESSORAGE)						●	●	●	●	●					
ACTIVE WEAR (VÊTEMENTS QUOTIDIENS)			●	●	●				●	●	●	●	●	●	●
PERM PRESS (REPASSAGE FACILE)			●	●	●		●	●	●	●	●	●	●	●	●
DELICATES (DÉLICATS)			●	●	●				●	●	●	●	●	●	●
WOOL (LAINE)			●	●	●				●	●			●		
QUICK WASH (LAVAGE RAPIDE)		●	●	●	●	●	●	●	●	●	●	●	●	●	●

Programme	Options				
	Extra Rinse (Rinçage Extra)	Super Speed (Super Vitesse)	My Cycle (Mon Cycle)	Delay End (Arrêt Différé)	Sound (Son)
NORMAL (NORMAL)	●	●	●	●	●
DEEP STEAM (VAPEURS PROFONDES)	●	●	●	●	●
HEAVY DUTY (GRAND RENDEMENT)	●	●	●	●	●
SANITIZE (STÉRILISATION)	●		●	●	●
ALLERGEN (ALLERGÈNE)	●	●	●	●	●
SELF CLEAN (AUTONETTOYAGE)				●	●
RINSE+SPIN (RINÇAGE + ESSORAGE)	●		●	●	●
ACTIVE WEAR (VÊTEMENTS QUOTIDIENS)	●		●	●	●
PERM PRESS (REPASSAGE FACILE)	●		●	●	●
DELICATES (DÉLICATS)	●		●	●	●
WOOL (LAINE)			●	●	●
QUICK WASH (LAVAGE RAPIDE)	●		●	●	●

Garantie (États-Unis)

LAVE-LINGE SAMSUNG

GARANTIE LIMITÉE À L'ACHETEUR INITIAL

Ce produit de la marque SAMSUNG, fourni, distribué par SAMSUNG ELECTRONICS AMERICA, INC. (SAMSUNG) et livré neuf, dans son emballage d'origine à l'acheteur initial, est garanti par SAMSUNG contre tout défaut de fabrication relatif aux matériaux et à la qualité d'exécution, pour une période de garantie limitée de :

Un (1) an pièces et main-d'œuvre, Trois (3) ans pour les pièces en acier inoxydable du tambour (Pièce uniquement), Dix (10) ans Pièce du moteur DD de lavage (Pièce uniquement)

Cette garantie limitée prend effet à la date originale d'achat. Elle ne s'applique qu'aux produits achetés et utilisés aux États-Unis. Pour bénéficier de réparations dans le cadre de la présente garantie, l'acheteur doit contacter la société SAMSUNG afin qu'elle détermine l'origine du problème et une procédure de réparation. Les services de garantie peuvent être pris en charge uniquement par un centre de service agréé SAMSUNG. Lors de la remise d'un produit défectueux à SAMSUNG ou à un centre de service agréé SAMSUNG, l'acheteur est tenu de présenter le coupon d'achat d'origine à la demande des intéressés à titre de preuve d'achat. SAMSUNG s'engage à assurer un service de réparation gratuit à domicile pendant la période de garantie. Ce service est soumis à disponibilité sur le territoire des États-Unis. Le service à domicile n'est pas disponible pour toutes les zones.

Pour bénéficier du service à domicile, l'appareil doit être situé dans un emplacement accessible à notre personnel. Si ce service n'est pas disponible, SAMSUNG peut choisir de prendre à sa charge le transport aller/retour du produit vers un centre de service agréé.

La société SAMSUNG prendra en charge, à sa convenance, la réparation, le remplacement ou le remboursement du produit tel que stipulé dans les présentes conditions et procédera au remplacement ou au reconditionnement des pièces ou des produits si ces derniers s'avèrent défectueux dans la limite de la période de garantie mentionnée précédemment. Toutes les pièces et tous les produits remplacés deviennent la propriété de SAMSUNG et doivent être retournés à SAMSUNG. Les pièces de rechange et les produits sont couverts pour la période restante de garantie ou quatre-vingt-dix (90) jours, si la période de garantie est inférieure à 90 jours. La garantie limitée couvre les vices de fabrication relatifs aux matériaux et à la qualité d'exécution survenus dans le cadre d'une utilisation normale et non commerciale du produit et ne s'applique pas aux causes suivantes, comprenant, mais ne se limitant pas à : tout dommage survenant au cours de l'expédition, de la livraison et de l'installation ; toute utilisation de l'appareil contraire au but auquel il était destiné ; tout numéro de produit ou de série effacé ; tout dommage du revêtement extérieur ou de l'aspect du produit ; tout dommage causé par un accident, une utilisation non conforme, une négligence, un incendie ou une inondation, la foudre ou une autre catastrophe naturelle ; toute utilisation de produits, d'équipements, de systèmes, d'appareils, de services, de pièces, de fournitures, d'accessoires, d'applications, d'installations, de réparations, de câblages externes ou de connecteurs non fournis ou autorisés par SAMSUNG et susceptibles d'endommager ledit appareil ou de nuire à son fonctionnement ; toute surtension, fluctuation ou tension de ligne électrique incorrecte ; tout réglage effectué par l'acheteur et tout non-respect des consignes d'utilisation, d'entretien et de respect de l'environnement couvertes ou prescrites dans le présent carnet d'entretien ; tout démontage ou toute réinstallation de l'appareil ; tout problème résultant d'une prolifération d'insectes nuisibles. Cette garantie limitée ne couvre pas les problèmes résultant d'un courant, d'une tension ou d'une alimentation électrique incorrects, ainsi que d'ampoules électriques, de fusibles ou de câblage inappropriés. Elle ne couvre pas non plus le coût des appels au service d'assistance pour obtenir des instructions ou la réparation des erreurs d'installation. SAMSUNG ne garantit pas que l'appareil sera exempt de tout problème ou qu'il fonctionnera sans interruption.

SAUF EXCEPTION MENTIONNÉE DANS LE PRÉSENT DOCUMENT, SAMSUNG NE FOURNIT AUCUNE GARANTIE EXPRESSE OU IMPLICITE QUANT À CET APPAREIL, Y COMPRIS, MAIS SANS S'Y LIMITER, LES GARANTIES IMPLICITES DE QUALITÉ MARCHANDE, DE CONTREFAÇON OU D'APTITUDE À UN USAGE PARTICULIER.

Garantie (États-Unis)

AUCUNE GARANTIE, QU'ELLE SOIT DONNÉE PAR UN TIERS, UNE ENTREPRISE OU UNE PERSONNE MORALE, NE POURRA ÊTRE CONSIDÉRÉE COMME UN ENGAGEMENT VIS-À-VIS DE SAMSUNG. SAMSUNG NE SERA AUCUNEMENT RESPONSABLE EN CAS DE PERTE DE BÉNÉFICES, DE MANQUE À GAGNER, D'INCAPACITÉ À RÉALISER DES ÉCONOMIES OU TOUT AUTRE AVANTAGE FINANCIER OU D'AUTRES DOMMAGES SPÉCIAUX, ACCESSOIRES OU INDIRECTS RÉSULTANT DE L'UTILISATION OU D'UNE MAUVAISE UTILISATION DE CET APPAREIL OU D'UNE INCAPACITÉ À UTILISER CET APPAREIL, QUELLE QUE SOIT LA BASE JURIDIQUE INVOQUÉE POUR JUSTIFIER L'ASSERTION ET MÊME SI SAMSUNG A ÉTÉ AVISÉ DE L'ÉVENTUALITÉ DE TELS DOMMAGES.

LES INDEMNITÉS FINANCIÈRES EXIGÉES AUPRÈS DE SAMSUNG NE POURRONT EN AUCUN CAS EXCÉDER LE PRIX D'ACHAT DU PRODUIT VENDU PAR SAMSUNG ET À L'ORIGINE DES DOMMAGES INVOQUÉS. SANS LIMITATION AUX DISPOSITIONS SUSDITES, L'ACHETEUR ASSUME TOUS LES RISQUES ET TOUTES LES RESPONSABILITÉS EN CAS DE PERTE, DE DOMMAGES OU DE BLESSURES ÉVENTUELLES INFLIGÉS À L'ACHETEUR ET AUX BIENS DE CELUI-CI ET À TOUTE AUTRE PERSONNE ET AUX BIENS DE CELLE-CI RÉSULTANT DE L'UTILISATION OU DE LA MAUVAISE UTILISATION DE L'APPAREIL OU DE L'INCAPACITÉ À L'UTILISER. CETTE GARANTIE LIMITÉE N'EST VALABLE POUR PERSONNE D'AUTRE QUE L'ACHETEUR INITIAL DU PRODUIT, N'EST PAS TRANSFÉRABLE ET ÉNONCE VOTRE RECOURS EXCLUSIF.

Certains états n'autorisent pas les limitations de durée de garantie implicite, ou l'exclusion ou la limitation des dommages accidentels ou indirects. Dans un tel cas, les limitations ou exclusions spécifiées ci-dessus ne s'appliquent pas. La présente garantie vous octroie des droits spécifiques, ainsi que d'autres variant d'un état à un autre.

Pour bénéficier d'un service d'assistance couvert par votre garantie, contactez SAMSUNG à l'adresse suivante :

Samsung Electronics America, Inc.

85 Challenger Road

Ridgefield Park, NJ 07660

1-800-SAMSUNG (726-7864)

www.samsung.com/us/support

Les visites par un Ingénieur Service pour expliquer les fonctions, l'entretien ou l'installation ne sont pas couvertes par la garantie.

Contactez s'il vous plaît votre agent Samsung pour vous aider à régler ces problèmes.

Garantie (CANADA)

LAVE-LINGE SAMSUNG

GARANTIE LIMITÉE À L'ACHETEUR INITIAL

Ce produit de la marque SAMSUNG, fourni, distribué par SAMSUNG ELECTRONICS CANADA, INC. (SAMSUNG) et livré neuf, dans son emballage d'origine à l'acheteur initial, est garanti par SAMSUNG contre tout défaut de fabrication relatif aux matériaux et à la qualité d'exécution, pour une période de garantie limitée de :

Un (1) an (pièces et main d'oeuvre) ; Dix (10) ans pièce du moteur DD de lavage (Pièce uniquement)

Cette limite de garantie s'applique à compter de la date d'acquisition et couvre uniquement les produits achetés et utilisés au Canada. Pour bénéficier de réparations dans le cadre de la présente garantie, l'acheteur doit contacter la société SAMSUNG afin qu'elle détermine l'origine du problème et une procédure de réparation. Les services de garantie peuvent être pris en charge uniquement par un centre de service agréé SAMSUNG. Lors de la remise d'un produit défectueux à SAMSUNG ou à un centre de service agréé SAMSUNG, l'acheteur est tenu de présenter le coupon d'achat d'origine à la demande des intéressés à titre de preuve d'achat. SAMSUNG assurera un service de réparation gratuit à domicile pendant la période de garantie sujet à la disponibilité au Canada. Le service à domicile n'est pas disponible pour toutes les zones.

Pour bénéficier du service à domicile, l'appareil doit être situé dans un emplacement accessible à notre personnel. Si ce service n'est pas disponible, SAMSUNG peut choisir de prendre à sa charge le transport aller/retour du produit vers un centre de service agréé.

Garantie (CANADA)

La société SAMSUNG prendra en charge, à sa convenance, la réparation, le remplacement ou le remboursement du produit tel que stipulé dans les présentes conditions et procédera au remplacement ou au reconditionnement des pièces ou des produits si ces derniers s'avèrent défectueux dans la limite de la période de garantie mentionnée précédemment. Toutes les pièces et tous les produits remplacés deviennent la propriété de SAMSUNG et doivent être retournés à SAMSUNG. Les pièces de rechange et les produits sont couverts pour la période restante de garantie ou quatre-vingt-dix (90) jours, si la période de garantie est inférieure à 90 jours. La garantie limitée couvre les vices de fabrication relatifs aux matériaux et à la qualité d'exécution survenus dans le cadre d'une utilisation normale et non commerciale du produit et ne s'applique pas aux causes suivantes, comprenant, mais ne se limitant pas à : tout dommage survenant au cours de l'expédition, de la livraison et de l'installation ; toute utilisation de l'appareil contraire au but auquel il était destiné ; tout numéro de produit ou de série effacé ; tout dommage du revêtement extérieur ou de l'aspect du produit ; tout dommage causé par un accident, une utilisation non conforme, une négligence, un incendie ou une inondation, la foudre ou une autre catastrophe naturelle ; toute utilisation de produits, d'équipements, de systèmes, d'appareils, de services, de pièces, de fournitures, d'accessoires, d'applications, d'installations, de réparations, de câblages externes ou de connecteurs non fournis ou autorisés par SAMSUNG et susceptibles d'endommager ledit appareil ou de nuire à son fonctionnement ; toute surtension, fluctuation ou tension de ligne électrique incorrecte ; tout réglage effectué par l'acheteur et tout non-respect des consignes d'utilisation, d'entretien et de respect de l'environnement couvertes ou prescrites dans le présent carnet d'entretien ; tout démontage ou toute réinstallation de l'appareil ; tout problème résultant d'une prolifération d'insectes nuisibles. Cette garantie limitée ne couvre pas les problèmes résultant d'un courant, d'une tension ou d'une alimentation électrique incorrects, ainsi que d'ampoules électriques, de fusibles ou de câblage inappropriés. Elle ne couvre pas non plus le coût des appels au service d'assistance pour obtenir des instructions ou la réparation des erreurs d'installation. SAMSUNG ne garantit pas que l'appareil sera exempt de tout problème ou qu'il fonctionnera sans interruption.

SAUF EXCEPTION MENTIONNÉE DANS LE PRÉSENT DOCUMENT, SAMSUNG NE FOURNIT AUCUNE GARANTIE EXPRESSE OU IMPLICITE QUANT À CET APPAREIL, Y COMPRIS, MAIS SANS S'Y LIMITER, LES GARANTIES IMPLICITES DE QUALITÉ MARCHANDE, DE CONTREFAÇON OU D'APTITUDE À UN USAGE PARTICULIER.

AUCUNE GARANTIE, QU'ELLE SOIT DONNÉE PAR UN TIERS, UNE ENTREPRISE OU UNE PERSONNE MORALE, NE POURRA ÊTRE CONSIDÉRÉE COMME UN ENGAGEMENT VIS-À-VIS DE SAMSUNG. SAMSUNG NE SERA AUCUNEMENT RESPONSABLE EN CAS DE PERTE DE BÉNÉFICES, DE MANQUE À GAGNER, D'INCAPACITÉ À RÉALISER DES ÉCONOMIES OU TOUT AUTRE AVANTAGE FINANCIER OU D'AUTRES DOMMAGES SPÉCIAUX, ACCESSOIRES OU INDIRECTS RÉSULTANT DE L'UTILISATION OU D'UNE MAUVAISE UTILISATION DE CET APPAREIL OU D'UNE INCAPACITÉ À UTILISER CET APPAREIL, QUELLE QUE SOIT LA BASE JURIDIQUE INVOQUÉE POUR JUSTIFIER L'ASSERTION ET MÊME SI SAMSUNG A ÉTÉ AVISÉ DE L'ÉVENTUALITÉ DE TELS DOMMAGES.

LES INDEMNITÉS FINANCIÈRES EXIGÉES AUPRÈS DE SAMSUNG NE POURRONT EN AUCUN CAS EXCÉDER LE PRIX D'ACHAT DU PRODUIT VENDU PAR SAMSUNG ET À L'ORIGINE DES DOMMAGES INVOQUÉS. SANS LIMITATION AUX DISPOSITIONS SUSDITES, L'ACHETEUR ASSUME TOUS LES RISQUES ET TOUTES LES RESPONSABILITÉS EN CAS DE PERTE, DE DOMMAGES OU DE BLESSURES ÉVENTUELLES INFLIGÉS À L'ACHETEUR ET AUX BIENS DE CELUI-CI ET À TOUTE AUTRE PERSONNE ET AUX BIENS DE CELLE-CI RÉSULTANT DE L'UTILISATION OU DE LA MAUVAISE UTILISATION DE L'APPAREIL OU DE L'INCAPACITÉ À L'UTILISER. CETTE GARANTIE LIMITÉE N'EST VALABLE POUR PERSONNE D'AUTRE QUE L'ACHETEUR INITIAL DU PRODUIT, N'EST PAS TRANSFÉRABLE ET ÉNONCE VOTRE RECOURS EXCLUSIF.

Certaines provinces n'autorisent pas de limitations quant à la durée des garanties implicites ni l'exclusion ou la limitation de dommages accessoires ou indirects ; il se peut par conséquent que les limitations et exclusions énoncées ci-dessus ne s'appliquent pas à votre cas.

La présente garantie vous octroie des droits spécifiques, ainsi que d'autres variant d'une province à une autre.

Pour bénéficier d'un service d'assistance couvert par votre garantie, contactez SAMSUNG à l'adresse suivante :

Samsung Electronics Canada Inc.
2050 Derry Road West,
Mississauga, Ontario L5N 0B9 Canada.
1-800-SAMSUNG (726-7864)
www.samsung.com/ca/support (English)
www.samsung.com/ca_fr/support (French)
FAX : 1-866-436-4617

Les visites par un Ingénieur Service pour expliquer les fonctions, l'entretien ou l'installation ne sont pas couvertes par la garantie.
Contactez s'il vous plaît votre agent Samsung pour vous aider à régler ces problèmes.

Mémo

Mémo

SAMSUNG



Scan the QR code* or visit
www.samsung.com/spsn
to view our helpful
How-to Videos and Live Shows

*Requires reader to be installed on your smartphone

Scan this with your smartphone

DES QUESTIONS OU DES COMMENTAIRES ?

PAYS	APPELEZ LE	OU RENDEZ-VOUS SUR LE SITE
U.S.A	1-800-SAMSUNG(726-7864)	www.samsung.com/us/support
CANADA	1-800-SAMSUNG(726-7864)	www.samsung.com/ca/support (English) www.samsung.com/ca_fr/support (French)



DC68-03645A-00

A black and white artistic photograph of water splashing, creating a dynamic and textured background. The water droplets are captured in mid-air, creating a sense of movement and freshness. The lighting highlights the individual droplets and the overall spray, giving it a soft, ethereal quality.

Lavadora

Manual del usuario

WW22K6800A*

SAMSUNG

Contenido

Información sobre seguridad	4
Lo que necesita saber sobre las instrucciones de seguridad	4
Símbolos de seguridad importantes	4
Precauciones de seguridad importantes	5
Advertencias fundamentales para la instalación	6
Precauciones para la instalación	8
Advertencias fundamentales para el uso	9
Precauciones de uso	11
Advertencias fundamentales para la limpieza	14
Instalación	15
Componentes	15
Requisitos de instalación	16
Instalación paso a paso	21
Antes de comenzar	27
Configuración inicial	27
Pautas de lavado	28
Indicaciones sobre el cajón del detergente	30
Operaciones	32
Panel de control	32
Sencillos pasos para comenzar	34
Descripción del ciclo	35
Características especiales	38
Mantenimiento	41
Self Clean (Autolimpieza)	41
Smart Care (Cuidado Inteligente)	42
Desagüe de emergencia	43
Limpieza	44
Recuperación tras una congelación	47
Mantenimiento de cara a un periodo prolongado sin utilizar la lavadora	48
Limpieza del exterior	48
Limpieza del interior	48

Solución de problemas	49
Verificaciones	49
Códigos de información	53
Especificaciones	55
Tabla de indicaciones sobre telas	55
Protección del medio ambiente	56
Declaración de conformidad	56
Hoja de especificaciones	57
Tabla de ciclos	58

Información sobre seguridad

Felicitaciones por la compra de la nueva lavadora Samsung. Este manual contiene información importante acerca de la instalación, el uso y el cuidado del electrodoméstico. Lea detenidamente estas instrucciones a fin de aprovechar al máximo los múltiples beneficios y funciones de la lavadora.

Lo que necesita saber sobre las instrucciones de seguridad

Lea este manual detenidamente para aprender a utilizar con seguridad y eficacia todas las características y funciones de su nuevo electrodoméstico. Conserve el manual en un lugar seguro cerca del electrodoméstico para consultas futuras. Utilice este electrodoméstico solo para el propósito para el que fue destinado como se describe en este manual.

Las advertencias y las instrucciones de seguridad importantes de este manual no cubren todas las posibles condiciones y situaciones que pueden ocurrir. Es su responsabilidad actuar con sentido común, precaución y cuidado cuando instale, realice el mantenimiento y ponga en funcionamiento la lavadora.

Puesto que las siguientes instrucciones de funcionamiento sirven para varios modelos, las características de su secadora pueden diferir ligeramente de las que se describen en este manual y es posible que no todos los signos de advertencia sean aplicables. Si tiene alguna consulta o duda, comuníquese con el centro de servicio más cercano o busque ayuda e información en línea en www.samsung.com.

Símbolos de seguridad importantes

Los íconos y las señales incluidas en este manual del usuario significan lo siguiente:

ADVERTENCIA

Peligros o prácticas inseguras que pueden causar lesiones físicas graves o la muerte.

PRECAUCIÓN

Peligros o prácticas inseguras que pueden causar lesiones físicas leves o daños materiales.

NOTA

Indica que existe el riesgo de lesiones físicas o daños materiales.

Estas señales de advertencia están aquí para evitar que usted u otras personas sufran daños.

Siga las instrucciones completamente.

Después de leer este manual, guárdelo en un lugar seguro para consultas futuras.

CONSERVE ESTAS INSTRUCCIONES

Lea todas las instrucciones antes de usar el electrodoméstico.

Al igual que con cualquier equipo que usa electricidad y contiene piezas movibles, existen riesgos potenciales. Para usar este electrodoméstico en forma segura, familiarícese con su funcionamiento y manéjelo con cuidado cuando lo use.

Precauciones de seguridad importantes

ADVERTENCIA

Para reducir el riesgo de incendio, descargas eléctricas o lesiones físicas cuando usa este electrodoméstico, siga las instrucciones de seguridad básicas que figuran a continuación:

1. Lea todas las instrucciones antes de usar el electrodoméstico.
2. No lave o seque prendas que han sido previamente limpiadas, lavadas, remojadas o salpicadas con gasolina, solventes de limpieza en seco u otras sustancias inflamables o explosivas, ya que emiten vapores que pueden prenderse fuego o explotar.
3. No permita que los niños jueguen sobre el electrodoméstico ni en su interior. Se requiere de supervisión cuando el electrodoméstico es utilizado cerca de los niños.
4. Antes de descartar el aparato o de trasladarlo para que se le efectúe el servicio técnico, retire la puerta del compartimiento de la lavadora o la secadora.
5. No introduzca la mano en el electrodoméstico si el tambor está en movimiento.
6. No instale o guarde este electrodoméstico donde quede expuesto a factores climáticos.
7. No modifique los controles.

CONSERVE ESTAS INSTRUCCIONES

Información sobre seguridad

8. No repare, reemplace ni intente realizar el mantenimiento de cualquier pieza del electrodoméstico salvo que esté recomendado específicamente en las instrucciones de mantenimiento del usuario o en las instrucciones de reparación para el usuario publicadas y que, a su juicio, usted tenga la habilidad para llevarlas a cabo.
9. No agregue gasolina, solventes de limpieza en seco u otras sustancias inflamables o explosivas al agua del lavado. Estas sustancias emiten vapores que se pueden prender fuego o explotar.
10. En ciertas circunstancias, se puede producir gas hidrógeno en un sistema de agua caliente que no se ha usado durante 2 semanas o más. EL GAS HIDRÓGENO ES EXPLOSIVO. Si el sistema de agua caliente no fue utilizado durante dicho período, antes de usar la lavadora o la lavadora y la secadora combinadas, abra las llaves de agua caliente y deje correr el agua por varios minutos. De esta manera, se eliminará el gas hidrógeno acumulado. Dado que el gas es inflamable, no fume ni use una llama abierta en ese momento.

Advertencias fundamentales para la instalación

ADVERTENCIA

Advertencias de la disposición 65 del Estado de California (EE. UU. solamente)

Este producto contiene un producto químico conocido en el Estado de California como causante de cáncer, defectos congénitos u otro daño reproductivo.

CONSERVE ESTAS INSTRUCCIONES

La instalación de este electrodoméstico la debe efectuar un técnico cualificado o una empresa de servicios.

- Si no lo hace, puede provocar una descarga eléctrica, un incendio, una explosión, problemas con el producto o lesiones.

El electrodoméstico es pesado y deberá tener cuidado al levantarlo.

Enchufe el cable de alimentación en una toma de pared que cumpla con las especificaciones eléctricas locales. Use la toma solo para este aparato, y no use un cable de extensión.

- Compartir el tomacorriente de pared con otros electrodomésticos, utilizando un multicontacto o prolongando el cable de alimentación, puede provocar un incendio o una descarga eléctrica.
- Asegúrese de que el voltaje, la frecuencia y la corriente son los mismos que los especificados en el producto. Si no lo hace puede provocar un incendio o una descarga eléctrica. Enchufe el cable de alimentación firmemente en el tomacorriente de pared.

Retire regularmente todas las sustancias extrañas, como polvo o agua, de los terminales y los puntos de contacto de la alimentación con un paño seco.

- Desenchufe el cable de alimentación y límpielo con un paño seco.
- Si no lo hace puede provocar un incendio o una descarga eléctrica.

Conecte el enchufe en el tomacorriente de pared de manera que el cable se extienda hacia el suelo.

- Si enchufa el cable de alimentación en el tomacorriente en la dirección opuesta, los cables eléctricos del interior del cable se pueden dañar y se puede provocar un incendio o una descarga eléctrica.

Mantenga los materiales del embalaje fuera del alcance de los niños ya que pueden resultar peligrosos para ellos.

- Si un niño introduce la cabeza en una bolsa, se puede asfixiar.

Si el aparato o el cable están dañados contacte con el centro de servicio más cercano.

Este electrodoméstico debe conectarse a tierra correctamente.

La toma de tierra no se ha de conectar a una conducción de gas o de agua ni a la línea telefónica.

- Puede provocar un incendio, una descarga eléctrica, un incendio o problemas con el producto.

CONSERVE ESTAS INSTRUCCIONES

Información sobre seguridad

- Nunca enchufe el cable de alimentación a un tomacorriente que no esté conectado a tierra correctamente y asegúrese de que guarde conformidad con los códigos locales y nacionales.

No instale este electrodoméstico cerca de un calefactor o materiales inflamables.

No instale este electrodoméstico en un lugar húmedo, grasiento o cubierto de polvo, ni lo exponga a la luz directa del sol o al agua (gotas de lluvia).

No instale este aparato en un lugar en que se registren bajas temperaturas.

- La escarcha podría bloquear las tuberías.

No instale este electrodoméstico en un lugar donde pueda haber fugas de gas.

- Puede provocar un incendio o una descarga eléctrica.

No utilice un transformador eléctrico.

- Puede provocar un incendio o una descarga eléctrica.

No utilice un cable de alimentación dañado ni un tomacorriente que esté flojo.

- Puede provocar un incendio o una descarga eléctrica.

No tire del cable de alimentación ni lo doble excesivamente.

No tuerza ni ate el cable de alimentación.

No cuelgue el cable de alimentación de un objeto metálico, no coloque objetos pesados sobre él, no inserte el cable de alimentación entre objetos ni lo empuje en un espacio detrás del electrodoméstico.

- Puede provocar un incendio o una descarga eléctrica.

No tire del cable de alimentación para desenchufarlo.

- Para desenchufar el cable sujételo por el enchufe.
- Si no lo hace puede provocar un incendio o una descarga eléctrica.

Se debe colocar este aparato de manera tal que se pueda acceder al enchufe, a las canillas de suministro de agua y a los tubos de desagüe.

Precauciones para la instalación

PRECAUCIÓN

Este aparato se debe ubicar de manera que el enchufe sea fácilmente accesible.

- Si no lo hace puede provocar un incendio o una descarga causados por fugas eléctricas.

CONSERVE ESTAS INSTRUCCIONES

Instale el electrodoméstico sobre una superficie sólida y nivelada que pueda soportar su peso.

- De lo contrario se pueden producir vibraciones, movimientos o ruidos anormales o problemas con el producto.

Advertencias fundamentales para el uso

ADVERTENCIA

Si se inunda el aparato, cierre el agua y la alimentación eléctrica inmediatamente y póngase en contacto con el centro de servicio más cercano.

- No toque el enchufe con las manos mojadas.
- Se puede provocar una descarga eléctrica.

Si el electrodoméstico genera ruidos extraños, olores a quemado o humo, desconéctelo inmediatamente y llame al centro de servicio más cercano.

- Si no lo hace puede provocar un incendio o una descarga eléctrica.

En caso de fugas de gas (como propano, LP, etc.), ventile inmediatamente sin tocar el enchufe. No toque el electrodoméstico ni el cable de alimentación.

- No utilice un ventilador.
- Una chispa puede provocar un incendio o una explosión.

No permita que los niños jueguen sobre la lavadora ni dentro de ella. Además, cuando se deshaga del aparato, quite la palanca de la puerta de la lavadora.

- Si los niños quedaran atrapados dentro del dispositivo podrían asfixiarse hasta la muerte.

Asegúrese de quitar el embalaje (goma espuma, poliestireno) del fondo de la lavadora antes de utilizar ésta.

No lave prendas contaminadas con gasolina, queroseno, benceno, disolventes de pinturas, alcohol u otras sustancias inflamables o explosivas.

- Puede provocar una descarga eléctrica, un incendio o una explosión.

No abra la puerta de la lavadora por la fuerza mientras esté en funcionamiento (lavado a alta temperatura/secado/centrifugado).

- El agua que salga de la lavadora puede causar quemaduras o convertir el suelo en resbaladizo. Esto puede provocar lesiones personales.

CONSERVE ESTAS INSTRUCCIONES

Información sobre seguridad

- Forzar la apertura de la puerta puede provocar daños en el producto o lesiones personales.

No introduzca la mano por debajo de la lavadora mientras esté funcionando.

- Esto puede provocar lesiones personales.

No toque el enchufe con las manos mojadas.

- Puede causar lesiones personales.

No apague el electrodoméstico desenchufándolo mientras esté en funcionamiento.

- Si vuelve a enchufar el electrodoméstico en el tomacorriente puede originar una chispa y causar una descarga eléctrica o un incendio.

No deje que los niños o las personas con discapacidades utilicen la lavadora sin la vigilancia adecuada. No deje que los niños se suban al aparato o se introduzcan en él.

- Se puede producir una descarga eléctrica, quemaduras o lesiones personales.

No introduzca la mano ni objetos de metal bajo la lavadora mientras ésta esté en funcionamiento.

- Esto puede provocar lesiones personales.

No desenchufe el aparato tirando del cable de alimentación. Sujete el enchufe firmemente y tire de él en línea recta.

- Un cable de alimentación dañado puede provocar un cortocircuito, un incendio o una descarga eléctrica.

No trate de reparar, desensamblar ni modificar la lavadora usted mismo.

- No utilice un fusible (de cobre, cable de acero, etc) que no esté normalizado.
- Cuando haya que reparar o reinstalar el aparato, comuníquese con su centro de atención al cliente más cercano.
- Si no lo hace puede provocar una descarga eléctrica, un incendio, problemas con el producto o lesiones.

Si se afloja la manguera de suministro de agua de la llave de agua y se inunda el electrodoméstico, desenchufe el cable de alimentación.

- Si no lo hace puede provocar un incendio o una descarga eléctrica.

Desenchufe el electrodoméstico si no lo va a utilizar durante un período prolongado o durante una tormenta con aparato eléctrico.

- Si no lo hace puede provocar un incendio o una descarga eléctrica.

CONSERVE ESTAS INSTRUCCIONES

Si ha penetrado en el aparato cualquier sustancia extraña, desenchufe el cable y póngase en contacto con el Centro de servicio técnico de Samsung más cercano.

- Puede provocar un incendio o una descarga eléctrica.

No permita que los niños (ni las mascotas) jueguen sobre la lavadora o dentro de ella. La puerta de la lavadora no se abre con facilidad desde el interior, y los niños podrían lastimarse gravemente si quedaran atrapados dentro de la misma.

Precauciones de uso

PRECAUCIÓN

Si la lavadora está contaminada por sustancias extrañas, tales como detergente, tierra, restos de alimentos, etc., desenchufe el cable de alimentación y limpie la lavadora con un paño suave humedecido.

- Si no lo hace se puede producir decoloración, deformación, daños u óxido.

El cristal frontal se puede romper con un impacto fuerte. Sea cuidadoso cuando utilice la lavadora.

- Si se rompe el vidrio se pueden provocar lesiones personales.

Ante una falla de suministro de agua o cuando se vuelve a conectar la manguera de suministro, abra lentamente la llave del agua.

Abra lentamente la llave del agua tras un periodo prolongado de falta de uso.

- La presión del aire de la manguera de suministro o de la conducción agua puede dañar una pieza o provocar fugas de agua.

Si se produce un fallo en el desagüe durante el funcionamiento, compruebe si hay algún problema en el sistema de desagüe.

- Si se utiliza la lavadora cuando está inundada por un fallo en el desagüe, se puede provocar una descarga eléctrica o un incendio.

Introduzca completamente la ropa en la lavadora para que no pueda quedar atrapada por la puerta.

- Si alguna prenda queda atrapada por la puerta, se puede dañar la ropa o la lavadora o producirse una fuga de agua.

Cierre el suministro de agua cuando no utilice la lavadora.

- Asegúrese de que los tornillos del conector de la manguera de suministro del agua estén apretados firmemente.

CONSERVE ESTAS INSTRUCCIONES

Información sobre seguridad

Compruebe que en el cierre de goma y en la puerta de cristal no haya sustancias extrañas (por ejemplo, residuos, hilos, cabellos, etc.).

- Si hay alguna sustancia extraña en la puerta, o la puerta no está bien cerrada, se pueden producir fugas de agua.

Antes de utilizar el producto, abra la llave del agua y compruebe si el conector de la manguera de suministro del agua está firmemente asegurado y que no haya fugas de agua.

- Si los tornillos del conector de la manguera de suministro del agua están flojos, se pueden producir fugas de agua.

El producto adquirido está diseñado exclusivamente para uso doméstico.

Su utilización con fines comerciales se considera un uso incorrecto del producto. En tal caso el producto no quedará cubierto por la garantía estándar que ofrece Samsung y no se podrá atribuir a Samsung ninguna responsabilidad por el malfuncionamiento o los daños resultantes de este uso incorrecto.

No se pare sobre el aparato ni coloque objetos (como ropa, velas encendidas, cigarrillos encendidos, platos, químicos, objetos metálicos, etc.) sobre este.

- Puede provocar una descarga eléctrica, un incendio, problemas con el producto o lesiones.

No rocíe materiales volátiles, como insecticidas, en la superficie del electrodoméstico.

- Además de ser perjudiciales para las personas, pueden provocar una descarga eléctrica, un incendio o problemas con el producto.

No coloque objetos que generen campos electromagnéticos cerca de la lavadora.

- Se pueden producir lesiones personales por un mal funcionamiento.

El agua desaguada durante los ciclos de lavado a alta temperatura o de secado está caliente. No toque el agua.

- Se podría quemar o lesionar.

No lave, centrifugue ni seque fundas de asiento, alfombrillas o ropa impermeable (*) a menos que la lavadora tenga un ciclo especial para lavar estas prendas.

(*): Ropa de cama de lana, protectores para la lluvia, chalecos para la pesca, pantalones de esquí, sacos de dormir, cubrepañales, sudaderas, fundas de bicicleta, moto y automóvil, etc.

- No lave alfombrillas gruesas y espesas aunque lleven la marca de lavado en la etiqueta. Se pueden causar lesiones o dañar la lavadora, las paredes, el suelo o la ropa debido a vibraciones anormales.

CONSERVE ESTAS INSTRUCCIONES

- No lave alfombras ni felpudos con forro de goma. El forro de goma se puede desprender y adherirse al tambor, lo que puede resultar en un funcionamiento anómalo, por ejemplo un fallo en el desagüe.

No haga funcionar la lavadora sin la cubeta para detergente.

- Se podría producir una descarga eléctrica o lesiones personales por una fuga de agua.

No toque el interior del tambor durante el secado, o nada más finalizar éste, ya que está caliente.

- Se podría quemar.

No introduzca la mano en la cubeta para detergente.

- La mano podría quedar atrapada por el dispositivo de entrada del detergente.
- La guía del detergente líquido (solo modelos aplicables) no se usa para el detergente en polvo. Retire la guía si utiliza detergente en polvo.

No introduzca ningún objeto (como zapatos, restos de comida, animales) que no sea ropa en la lavadora.

- Se puede dañar la lavadora, causar lesiones o la muerte en caso de mascotas por vibraciones anormales.

No presione los botones con objetos afilados, como alfileres, cuchillos, las uñas, etc.

- Puede provocar una descarga eléctrica o lesiones personales.

No lave ropa contaminada por aceites, cremas o lociones que se utilizan normalmente en los establecimientos para el cuidado de la piel o en las clínicas de masajes.

- Se podría deformar el cierre de goma y producirse fugas de agua.

No deje objetos de metal, como imperdibles y horquillas, ni lejía en el tambor durante largos periodos de tiempo.

- Se puede oxidar el tambor.
- Si comienza a aparecer óxido en la superficie del tambor, aplique un agente limpiador (neutro) a la superficie y límpiela con una esponja. No utilice nunca un cepillo metálico. Nunca utilice un cepillo de metal.

No utilice detergentes de limpieza en seco directamente ni lave, enjuague ni centrifugue ropa contaminada por detergentes de limpieza en seco.

- Se puede producir una combustión espontánea o un incendio debido al calor de la oxidación del aceite.

CONSERVE ESTAS INSTRUCCIONES

Información sobre seguridad

No utilice el agua de los dispositivos de enfriamiento/calentamiento del agua.

- Podría tener problemas con la lavadora.

No utilice jabón natural para lavado a mano en la lavadora.

- Si se endurece y se acumula en el interior de la lavadora, puede causar problemas en el producto, tales como decoloración, óxido y malos olores.

Introduzca los calcetines y los sujetadores en una bolsa de malla y lávelos con el resto de la colada.

No lave prendas grandes como ropa de cama dentro de una red.

- De no hacerlo, se pueden producir lesiones personales debido a las vibraciones anormales.

No utilice detergente endurecido.

- Si se acumula en el interior de la lavadora, puede provocar fugas de agua.

Compruebe que los bolsillos de las prendas que va a lavar estén vacíos.

- Los objetos duros o afilados, como monedas, imperdibles, clavos, tornillos o piedras, pueden causar daños considerables en el aparato.

No lave ropa que contenga hebillas grandes, botones u otros objetos de metal pesados.

Separe la colada por colores según la solidez del color y seleccione el ciclo, la temperatura de agua y la funciones adicionales recomendadas.

- Puede producirse decoloración o daños en los tejidos.

Tenga cuidado de no atrapar los dedos de los niños al cerrar la puerta.

- Se podrían causar lesiones personales.

Advertencias fundamentales para la limpieza

ADVERTENCIA

No limpie el electrodoméstico rociando directamente agua dentro de él.

No utilice un agente de limpieza muy ácido.

No utilice benceno, disolventes ni alcohol para limpiar el electrodoméstico.

- Puede provocar decoloración, deformación, daños, incendio o descarga eléctrica.

Antes de la limpieza o las tareas de mantenimiento, desenchufe el electrodoméstico del tomacorriente de la pared.

- Si no lo hace puede provocar un incendio o una descarga eléctrica.

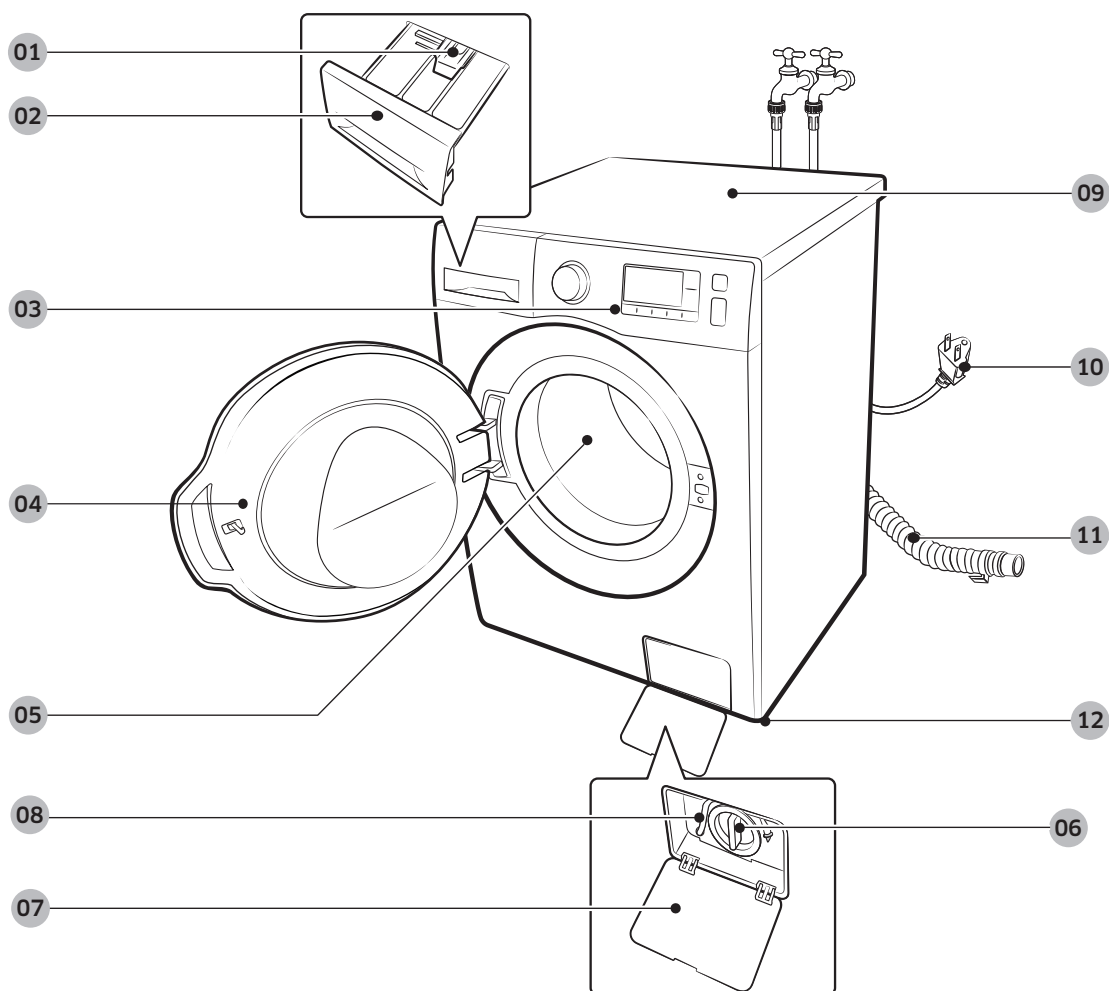
CONSERVE ESTAS INSTRUCCIONES

Instalación

Siga estas instrucciones cuidadosamente para asegurar la instalación apropiada de la lavadora y prevenir accidentes al usarla.

Componentes

Asegúrese de que todos los componentes estén incluidos en el paquete. Si tiene un problema con la lavadora o las partes, comuníquese con un centro de atención al cliente de Samsung o el vendedor.



01 Palanca de seguridad

02 Cajón para detergente

03 Panel de control

04 Puerta

05 Tambor

06 Filtro de la bomba

07 Cubierta del filtro

08 Tubo de desagüe de emergencia

09 Tapa

10 Enchufe

11 Manguera de drenaje

12 Patas niveladoras

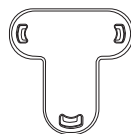
Instalación



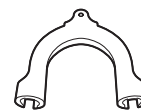
Llave mixta



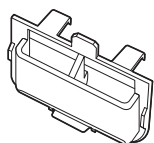
Tapas de pernos



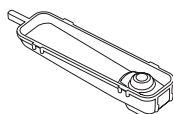
Fijador del tapón



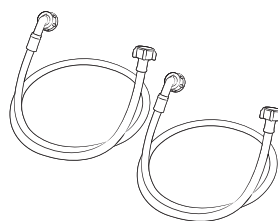
Guía de la manguera



Contenedor para detergente líquido



Cajón del blanqueador



Mangueras de agua (se venden aparte)



Almohadillas antideslizantes (se venden aparte)

NOTA

- Tapas de pernos: La cantidad provista (3 a 6) de tapas de pernos depende del modelo.
- La apariencia de la máquina y los accesorios provistos pueden diferir con el modelo.

PRECAUCIÓN

- No vuelva a usar mangueras viejas, ya que pueden tener fugas o se pueden reventar y provocar inundaciones o daños materiales.
- Asegúrese de que las arandelas de goma estén insertadas en cada junta de la manguera.

Requisitos de instalación

Suministro eléctrico y conexión a tierra

- Fusible o disyuntor de 120 voltios, 60 Hz, 15 A.
- Utilice un circuito de derivación individual que se utilice solo con la lavadora.

Para asegurar una conexión a tierra adecuada, la lavadora está equipada con un cable de alimentación que cuenta con un enchufe de tres pines con conexión a tierra para utilizar en un tomacorriente con conexión a tierra correctamente instalado.

Si no está seguro sobre la conexión a tierra, consulte a un electricista calificado o técnico de servicio.

No modifique el enchufe provisto. Si no encaja en el tomacorriente, llame a un electricista calificado para instalar un tomacorriente adecuado.

ADVERTENCIA

- NO utilice un cable alargador.
- Utilice sólo el cable de alimentación suministrado con la lavadora.

- NO conecte el cable de puesta a tierra a cañerías plásticas, tuberías de gas o de agua caliente.
- Los conductores de puesta a tierra conectados incorrectamente pueden producir descargas eléctricas.
- Para evitar el riesgo innecesario de incendio, descarga eléctrica o lesiones físicas, todo el cableado y la conexión a tierra deben realizarse de conformidad con los códigos locales o, en ausencia de ellos, con el Código Eléctrico Nacional, ANSI/NFPA Nro. 70, su última revisión (para EE.UU.) o el Código Eléctrico Canadiense CSA C22.1, sus últimas revisiones y los códigos y ordenanzas locales. Es su responsabilidad proveer los servicios eléctricos adecuados para su lavadora.

Suministro de agua

La presión de agua adecuada para esta lavadora es entre 20-116 psi (137-800 kPa). Una presión de agua inferior a 20 psi (137 kPa) puede ocasionar que la válvula de agua no se cierre completamente. O, puede llevar más tiempo llenar el tambor, causando el apagado de la lavadora. Los grifos de agua deben estar a no más de 4 pies (122 cm) de la parte trasera de la lavadora para que las mangueras de entrada provistas lleguen a la lavadora.

Para reducir el riesgo de pérdidas:

- Asegúrese de que los grifos de agua sean accesibles fácilmente.
- Cierre los grifos cuando la lavadora no esté en uso.
- Revise si hay pérdidas en las conexiones de las mangueras de entrada de agua regularmente.

PRECAUCIÓN

Antes de utilizar la lavadora por primera vez, revise todas las conexiones de la válvula y de los grifos para detectar pérdidas.

Drenaje

Samsung recomienda una tubería vertical a un altura de 18 Pulgadas (46 cm). La manguera de desagüe debe estar conectada a través de su gancho a la tubería vertical y la tubería vertical debe cubrir totalmente la manguera de desagüe.

Piso

Para conseguir un mejor rendimiento, la lavadora debe instalarse sobre un piso sólido. Posiblemente los pisos de madera necesiten reforzarse para minimizar la vibración y/o el desequilibrio de la carga. Las superficies alfombradas o con revestimiento sintético no presentan una buena resistencia a las vibraciones y pueden causar que la lavadora se mueva levemente durante el ciclo de centrifugado.

PRECAUCIÓN

NO instale la lavadora sobre una plataforma o sobre una estructura con soportes poco resistentes.

Temperatura del agua

No instale la lavadora en áreas donde el agua pueda congelarse, dado que la lavadora siempre retiene algo de agua en las válvulas, bombas y/o mangueras. El agua congelada que queda en las piezas de conexión puede producir daños a las correas, la bomba y demás componentes de la lavadora.

Instalación

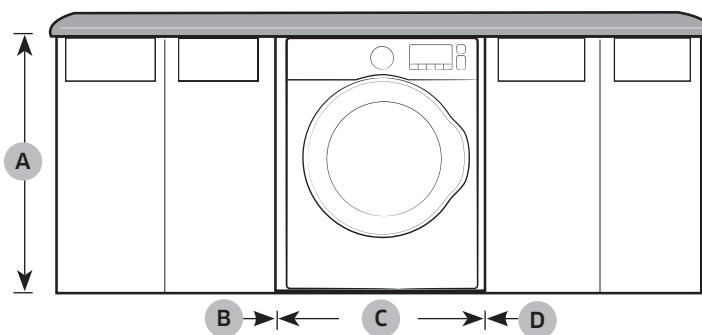
Instalación del electrodoméstico en un gabinete o en un hueco

Espacio mínimo para un funcionamiento estable:

Laterales	1 pulg. (25 mm)
Arriba	17 pulg. (432 mm)
Posterior	5.9 pulg. (150 mm)
Frente	2 pulg. (51 mm)

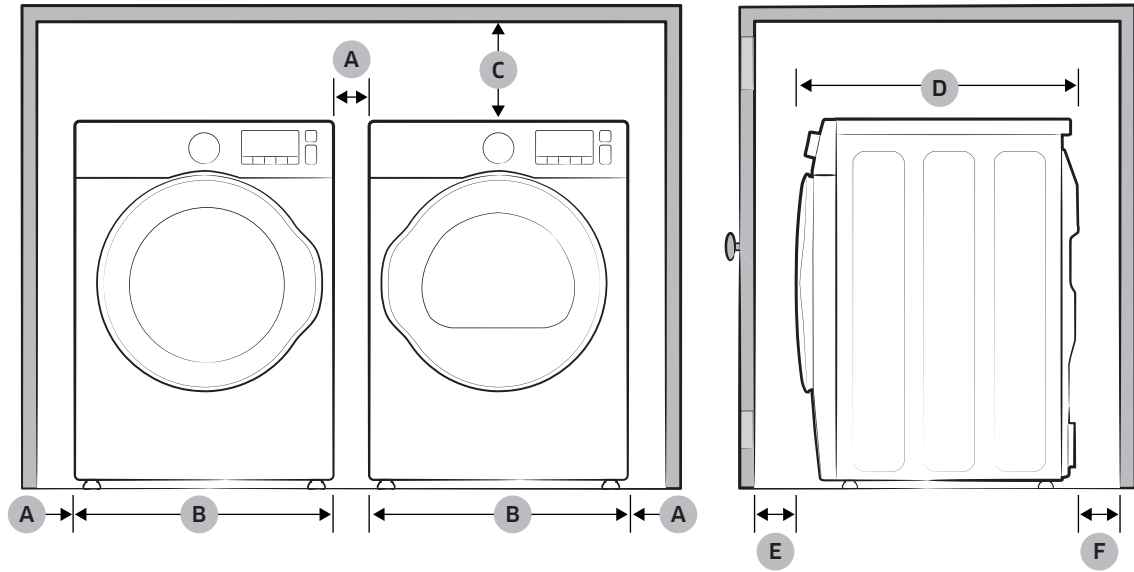
Si se instalan una lavadora y una secadora en el mismo lugar, el frente del gabinete o hueco debe tener una abertura de al menos 72 pulgadas² (465 cm²) in sin obstrucciones. La lavadora sola no requiere una abertura de aire específica.

Instalación debajo de un mostrador



A	39.6 pulg. (1006 mm)	C	27 pulg. (686 mm)
B	1 pulg. (25 mm)	D	1 pulg. (25 mm)

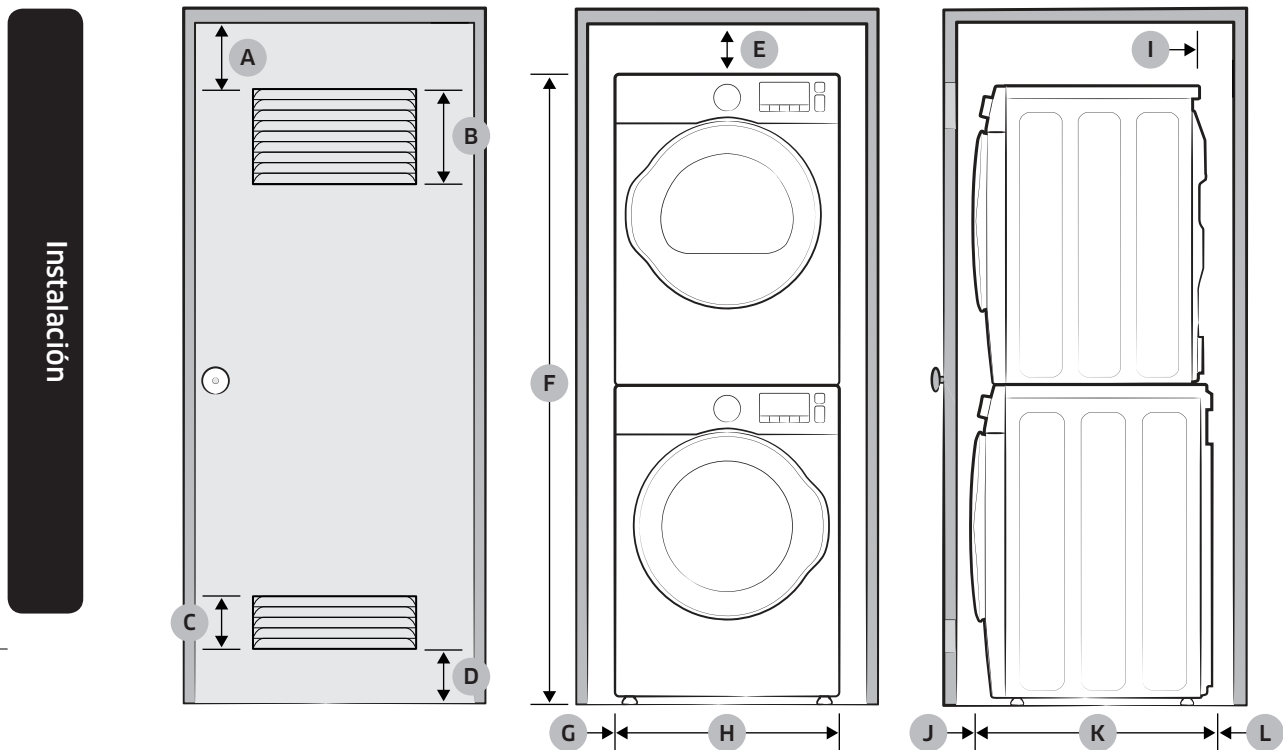
Instalación lado a lado



A*	1 pulg. (25 mm)	D	25.8 pulg. (655 mm)
B	23.6 pulg. (600 mm)	E	3 pulg. (76 mm)
C	17 pulg. (432 mm)	F	3 pulg. (76 mm)

*Este espacio no es aplicable a lavadoras independientes.

Instalación



A	3 pulg. (76 mm)	G	1 pulg. (25 mm)
B	48 pulg. ² (310 mm ²)	H	23.6 pulg. (600 mm)
C	24 pulg. ² (155 mm ²)	I	5.5 pulg. (140 mm)
D	3 pulg. (76 mm)	J	3 pulg. (76mm)
E	6 pulg. (152 mm)	K	26.6 pulg. (676 mm)
F	67 pulg. (1702 mm)	L	4.75 pulg. (120 mm)

⚠ ADVERTENCIA

Las lavadoras y las secadoras Samsung pueden apilarse para maximizar el espacio aprovechable.

Hay que retirar las patas de la secadora para apilar la lavadora y la secadora. Puede comprar un kit de apilado opcional a su minorista de Samsung.

Instalación apilada (Modelo: SK-DH)

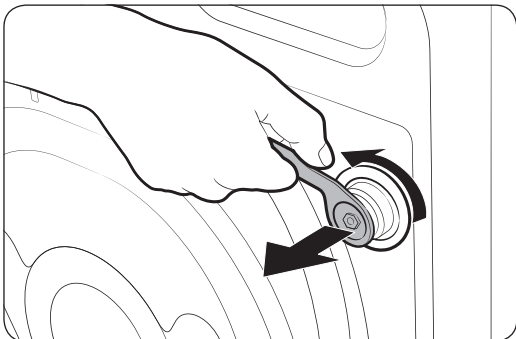
Instalación paso a paso

PASO 1 Seleccionar una ubicación

Requisitos de la ubicación:

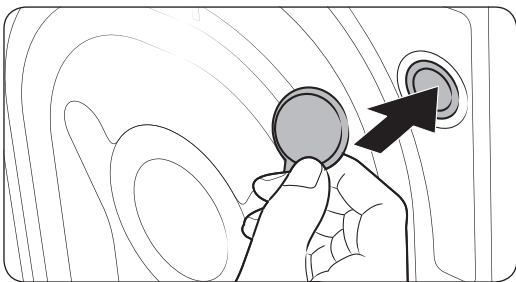
- Una superficie sólida y nivelada sin alfombras ni revestimientos para pisos que puedan obstruir la ventilación
- Lejos de la luz directa del sol
- Espacio adecuado para ventilación y cableado
- La temperatura ambiente siempre debe ser superior al punto de congelamiento (0 °C)
- Alejada de una fuente de calor

PASO 2 Retirar los tornillos de transporte



Desembale el paquete del producto y quite todos los tornillos de transporte.

1. Afloje todos los tornillos de transporte de la parte trasera de la máquina utilizando la llave inglesa provista.



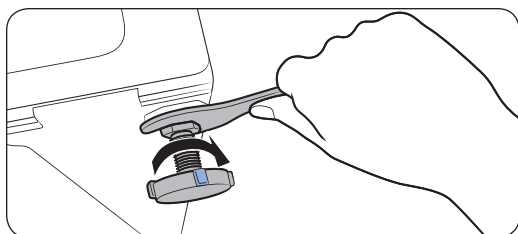
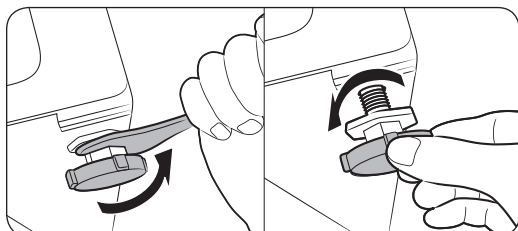
2. Tape los orificios con las tapas de plástico suministradas. Guarde los tornillos de transporte para uso futuro.

⚠ ADVERTENCIA

Los materiales de embalaje pueden ser peligrosos para los niños. Deseche todo el material de empaque (bolsas de plástico, poliestireno, etc.) fuera del alcance de los niños.

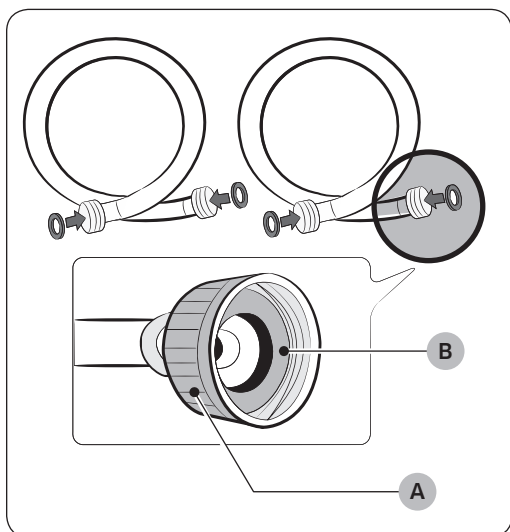
Instalación

PASO 3 Ajustar las patas niveladoras



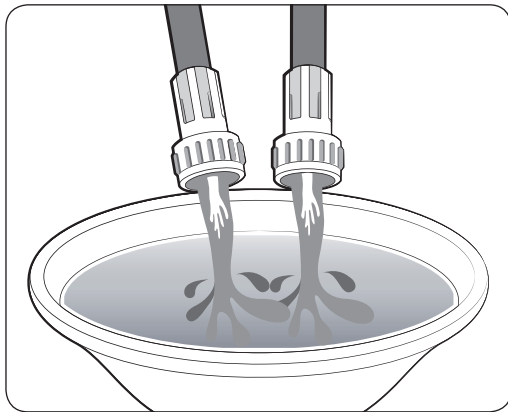
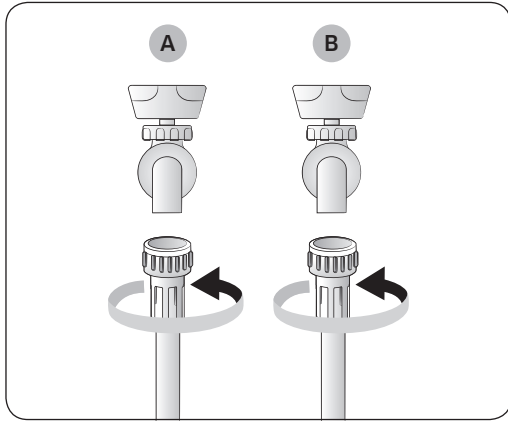
1. Deslice suavemente la lavadora hasta dejarla en su lugar. La fuerza excesiva puede dañar las patas niveladoras.
2. Nivele la lavadora haciendo girar las patas niveladoras hacia adentro o hacia fuera en forma manual, según sea necesario.
3. Una vez que la lavadora se encuentre nivelada, ajuste las tuercas usando la llave suministrada con la lavadora.

PASO 4 Conexión de la manguera de suministro de agua



⚠ PRECAUCIÓN

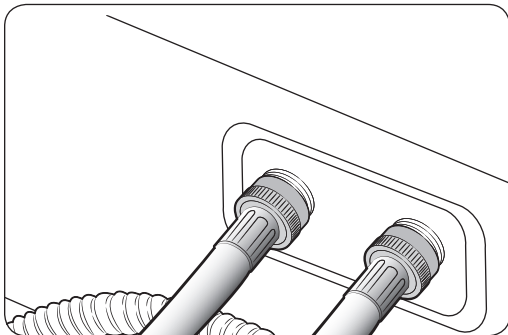
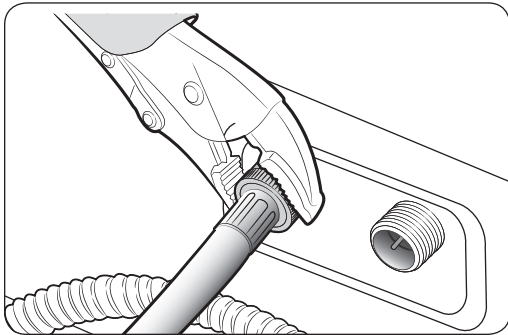
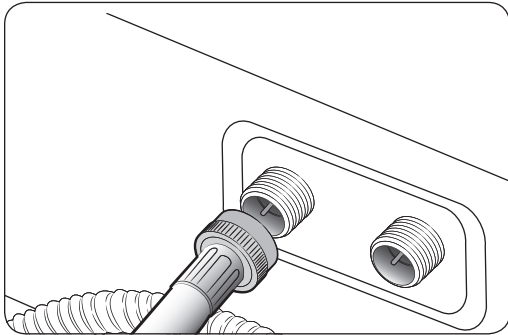
- Asegúrese de usar una manguera nueva y de que haya juntas de goma (B) dentro de los acoplamientos (A) en cualquier extremo de la manguera. Una manguera sin una junta puede causar que haya fuga de agua.
- Si hay una fuga de agua, deje de usar la lavadora y contacte a su central de servicio de Samsung local. Esto puede provocar descargas eléctricas.
- No estire la manguera de suministro de agua con fuerza. Si la manguera es demasiado corta, reemplácela por otra más larga de alta presión.
- Para evitar fugas, asegúrese de que ambas mangueras no esté dobladas o torcidas. Una fuga de agua puede provocar descargas eléctricas.



Para conectar la manguera a la canilla:

1. Conecte un extremo de cada manguera de suministro de agua a las llaves del agua caliente (B) o fría (A).
2. Gire los accesorios en forma manual hasta el final y luego ajústelos con dos tercios de giro con una llave. No los ajuste en exceso para evitar dañar los accesorios.
3. Al terminar, levante o baje las mangueras para verificar si están conectadas en forma apropiada.
4. Coloque los otros extremos de las mangueras en un balde y abra las canillas durante 10-15 segundos para eliminar impurezas. Al terminar, cierre las canillas.

Instalación



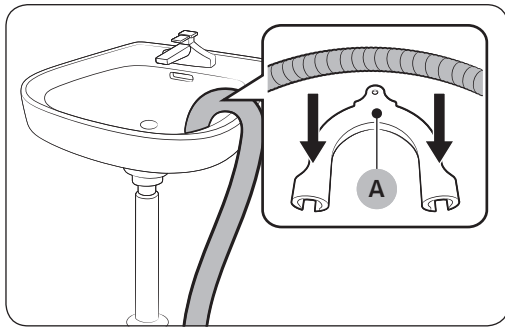
5. Conecte los otros extremos de las mangueras a las entradas correspondientes en la parte posterior de la máquina según lo especificado. Asegúrese de que la manguera esté conectada a la entrada caliente, y la manguera de agua fría a la entrada de agua fría.
6. Repita el paso 2 anterior con los otros accesorios. Compruebe que las mangueras de agua estén conectadas apropiadamente. Vea el código de información "4C" para la resolución de problemas.
7. Abra ambas canillas y verifique si hay una fuga.

NOTA

Si no desea usar la manguera de suministro de agua caliente, inserte el tapón de la entrada de agua en el orificio de la entrada del suministro de agua caliente. En este caso, debe seleccionar la opción Tap Cold (Temperatura Ambiente) para la temperatura del agua. Todos los otros indicadores de agua apagados.

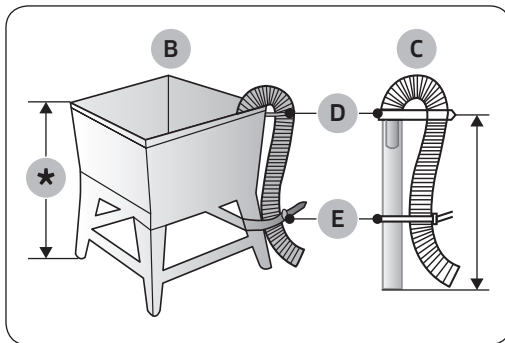
PASO 5 Conecte la manguera de desagüe

La manguera de desagüe puede colocarse en tres posiciones:



Sobre el borde de un lavamanos

La manguera de desagüe debe colocarse a una altura de entre 24 Pulgadas (60 cm) y 35 Pulgadas (90 cm) del suelo. Para mantener doblado el caño de la manguera de desagüe, utilice la **guía de plástico para la manguera (A)** que se suministra. Fije la guía a la pared utilizando un gancho para garantizar un desagüe estable.



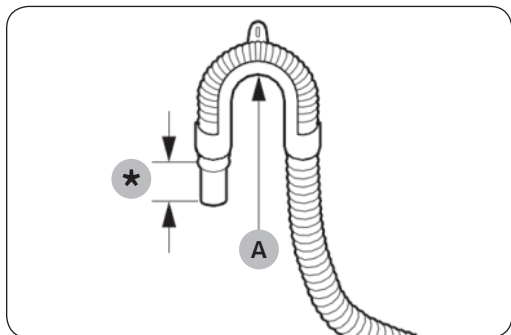
En una toma de agua o una tina

La toma de agua (B) y el tambor de lavado (C) no deben ser inferiores a 18 Pulgadas (46 cm) ni superiores a 96 Pulgadas (245 cm). Asegúrese de que la manguera de drenaje y la toma de agua no sean herméticas.

NOTA

D: Dispositivo para sujetar la manguera /
E: Correa de sujeción

Instalación



⚠ PRECAUCIÓN

- Conecte la **guía de la manguera (A)** dentro de las 6 pulg. (15 cm)* desde el extremo de la manguera de drenaje. Si la manguera de drenaje se extiende más allá del final de la guía de la manguera de desagüe, los hongos o microorganismos podrían extenderse hacia el interior de la lavadora.
- La manguera de drenaje se puede instalar hasta una altura de 245 cm (96 pulg), pero la capacidad de drenaje puede reducirse a la altura máxima. El agua que queda en el sistema de drenaje puede causar olor.
- Si la manguera de drenaje está instalada por debajo de los 46 cm (18 pulg.) de alto, el agua puede salir durante el ciclo de trabajo a causa del fenómeno del sifón. Si esto sucede, aparece un código de información "4E" en la pantalla.

PASO 6 Encendido

Enchufe el cable de alimentación a un tomacorriente de pared aprobado de 120 V CA/60 Hz/15A, protegido por un fusible o un disyuntor. Luego, presione el botón **Encender/Apagar** para encender la lavadora.

Antes de comenzar

Configuración inicial

Ejecutar calibración (recomendado)

Calibración asegura la detección del peso exacto por parte de la lavadora. Asegúrese de que el tambor esté vacío antes de ejecutar Calibración.

1. Presione **Encender/Apagar** para poner en funcionamiento la lavadora.
2. Mantenga presionados simultáneamente **Temp. (Temperatura)** y **Delay end (Termino Retardado)** durante 3 segundos.
3. Presione **Inicio/Pausa** para activar el modo de calibración.
 - La puerta está cerrada durante el funcionamiento.
 - El tambor se mantiene rotando en sentido horario y antihorario durante varios minutos.
4. Cuando termina, la lavadora se apaga en forma automática.

Antes de comenzar

Pautas de lavado

PASO 1 Clasificar

Clasifique la ropa para lavar según estos criterios:

- Etiqueta de indicaciones: Clasifique la ropa en algodón, fibras mixtas, sintética, seda, lana y rayón.
- Color: Separe la ropa blanca de la ropa de color.
- Tamaño: Mezclar prendas de diferente tamaño en el tambor mejora el desempeño del lavado.
- Sensibilidad: Lave las prendas delicadas por separado, utilizando el ciclo de lavado Delicada para las prendas nuevas de pura lana, de seda y cortinas. Consulte las etiquetas de las prendas.

NOTA

Asegúrese de consultar las etiquetas de instrucciones en las prendas y clasificarlas en consecuencia antes de iniciar el lavado.

PASO 2 Vaciado de bolsillos

Vacíe todos los bolsillos de la ropa para lavar

- Los objetos metálicos como monedas, alfileres y hebillas en las prendas puede dañar las otras prendas y el tambor.

Dé vuelta las prendas con botones y bordados

- Si los cierres de los pantalones o chaquetas están abiertos durante el lavado, es posible que el tambor se dañe. Los cierres deben cerrarse y ajustarse con una cuerda.

- Las prendas que tienen cordones largos pueden enredarse con otras prendas. Asegúrese de atar las cuerdas antes de comenzar el lavado.

PASO 3 Use una red para lavado

- Los sostenes (lavables con agua) deben colocarse en una red para lavado. Las partes metálicas de los corpiños pueden desprenderse y desgarrar otras prendas.
- Las prendas pequeñas y livianas como las medias, los guantes, las medias de nylon y los pañuelos de algodón pueden engancharse en la puerta. Colóquelas dentro de una red para lavado fina.
- No lave la red para lavado sin otras prendas. Esto podría ocasionar vibraciones anormales que produzcan movimientos de la lavadora y provocar lesiones.

PASO 4 Determine la capacidad de carga

No sobrecargue la lavadora. La sobrecarga puede producir que la lavadora no realice un lavado adecuado.

NOTA

Cuando se lava ropa de cama o fundas de edredones, el tiempo de lavado se puede prolongar o la eficiencia del centrifugado puede disminuir. Para ropa de cama o fundas de edredones, la velocidad máxima recomendada del ciclo de centrifugado es 800 rpm y la capacidad de carga es 2.0 kg o menos.

⚠ PRECAUCIÓN

Si la ropa para lavar está desbalanceada y se muestra el código de error "Ub", vuelva a distribuir la carga. La ropa para lavar desbalanceada puede reducir la eficiencia del centrifugado.

PASO 5 Uso del tipo de detergente apropiado

El tipo de detergente depende del tipo de tejido (algodón, sintético, prendas delicadas, lana), el color, la temperatura de lavado y el grado de suciedad. Use siempre detergente de "baja espuma", diseñado para las lavadoras automáticas.

📄 NOTA

- Siga las recomendaciones del fabricante del detergente en función del peso de la ropa, el grado de suciedad y la dureza del agua en su zona. Si no está seguro acerca de la dureza del agua, comuníquese con la empresa proveedora de agua.
- No use detergente que tienda a endurecerse o solidificarse. Este detergente puede quedar después del ciclo de enjuague, bloqueando la salida del desagüe.

⚠ PRECAUCIÓN

Cuando lave lana utilizando el ciclo de lana, use sólo un detergente líquido neutro. Si se usa con el ciclo de lana, el detergente en polvo puede quedar en la ropa y decolorarla.

Utilice solo detergentes de alta eficacia (HE)



La lavadora fue diseñada para usar detergentes de alta eficacia (HE, por su sigla en inglés).

- Para obtener un lavado de óptima calidad, use un detergente de alta eficacia, por ejemplo: Tide HE, Wisk HE, Cheer HE o Gain HE*. Los detergentes de alta eficacia contienen supresores de la espuma que reducen o eliminan la espuma. Cuando se produce menos espuma, la carga se mueve con mayor eficacia y el lavado se maximiza. (* Los nombres de las marcas son marcas comerciales de sus respectivos fabricantes.)

⚠ ADVERTENCIA

No se recomienda un detergente convencional. Utilice solo detergentes de alta eficacia (HE).

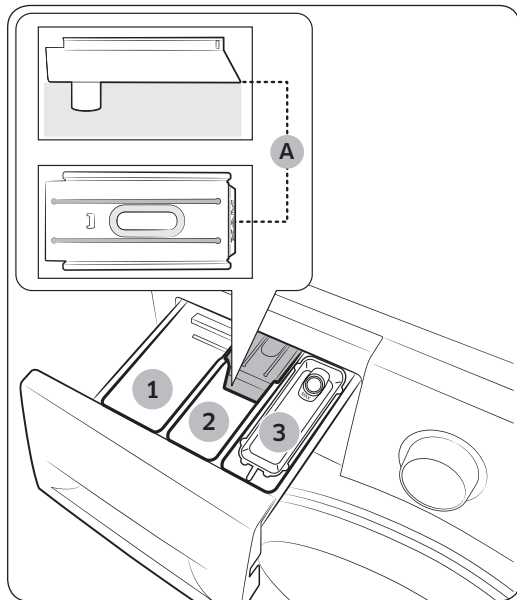
Antes de comenzar

Antes de comenzar

Indicaciones sobre el cajón del detergente

La lavadora tiene un dispensador de tres compartimientos: el primer compartimiento para el detergente, el segundo para suavizantes de telas y el tercero para blanqueador líquido con cloro.

Antes de comenzar



- 1. Compartimento del detergente del lavado principal:** Aplique detergente, suavizante, detergente de prelavado, blanqueador que protege los colores, sin cloro o quitamanchas.
- 2. Compartimento del suavizante:** Aplicar el suavizante de telas. No sobrepase la línea máxima (A).
- 3. Compartimento para el blanqueador:** Aplicar blanqueador líquido que contenga cloro.

⚠ PRECAUCIÓN

- No abra la cubeta para detergente con la lavadora en marcha.
- No utilice los siguientes tipos de detergentes:
 - En pastillas o cápsulas
 - En bola o en red
- Para impedir que el compartimento se tape, los agentes concentrados o altamente enriquecidos (suavizante o detergente) deben diluirse con agua antes de ser aplicados.

Para colocar agentes de lavado en el cajón del detergente

1. Abra la cubeta para detergente deslizándola.
2. Coloque detergente para ropa en el **compartimento del detergente del lavado principal** según las instrucciones o recomendaciones del fabricante. Para usar detergente líquido, consulte la página **31**.
3. Coloque suavizante de telas en el **compartimento del suavizante**. No sobrepase la línea máxima (A).

⚠ PRECAUCIÓN

No se recomienda el suavizante para telas en polvo. Use suavizante de telas líquido solamente.

4. Cierre el cajón para detergente.

⚠ PRECAUCIÓN

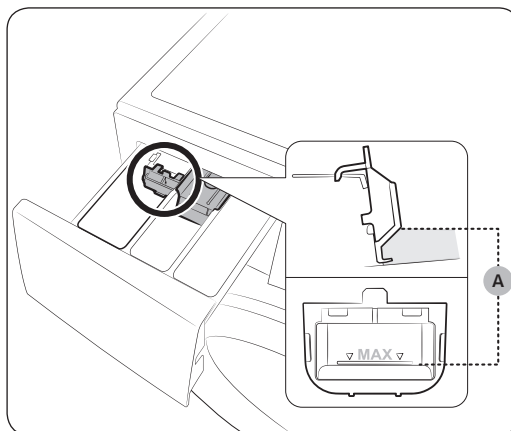
- No coloque detergente en polvo en el recipiente de líquido.
- El suavizante de telas se debe diluir con agua antes de aplicarse.
- No coloque detergente para el lavado principal en el **compartimento del suavizante**.

Para usar detergente líquido

Primero inserte el recipiente de líquido provisto en el **compartimento del detergente del lavado principal**. Luego coloque detergente líquido en el recipiente por debajo de la **línea máxima (A)** marcada.

⚠ PRECAUCIÓN

No sobrepase la línea máxima que está marcada en el recipiente.
Retire el contenedor para líquido si utiliza detergente en polvo.



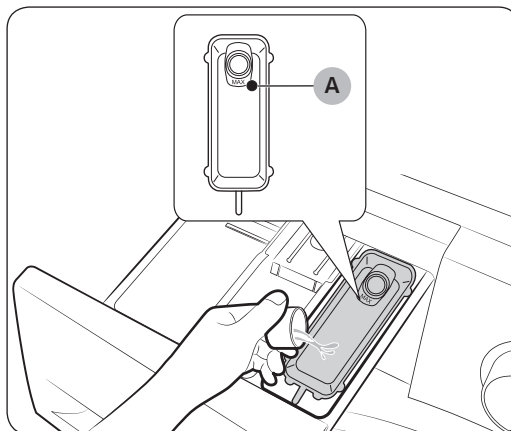
Para usar el compartimento de blanqueador

Primero inserte el cajón del blanqueador en el **compartimento del blanqueador**.

Aplique solo blanqueador líquido que contenga cloro en el **cajón del blanqueador**. No sobrepase la **línea máxima (A)**.

⚠ PRECAUCIÓN

No aplique blanqueador líquido que contenga cloro sin diluir directamente sobre la carga o dentro del tambor. Se trata de un químico potente y puede ser perjudicial para la tela, por ejemplo desgastando las fibras o causando decoloración, si no se usa correctamente.



Para usar reforzadores con oxígeno o blanqueadores que protegen el color

Los reforzadores con oxígeno o blanqueadores que protegen el color pueden aumentar el desempeño de lavado.

Asegúrese de agregar el reforzador de oxígeno o blanqueador que protege el color en el tambor.

📄 NOTA

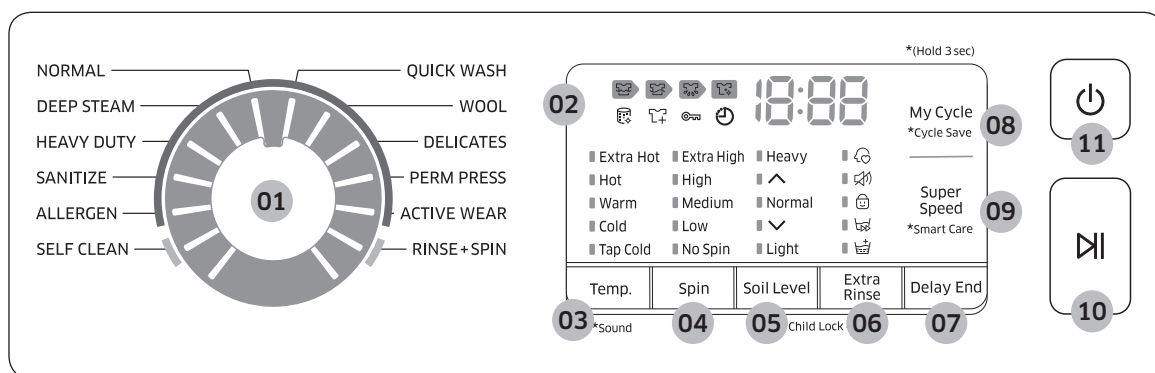
Para usar detergente en polvo y reforzador con oxígeno en polvo o blanqueador en polvo que protege los colores, es más efectivo colocarlos juntos en el tambor antes de cargar la ropa para lavar.

Operaciones

⚠️ ADVERTENCIA

Para reducir el riesgo de incendio, descarga eléctrica o lesiones personales, lea las INSTRUCCIONES DE SEGURIDAD IMPORTANTES antes de poner en funcionamiento el electrodoméstico.

Panel de control



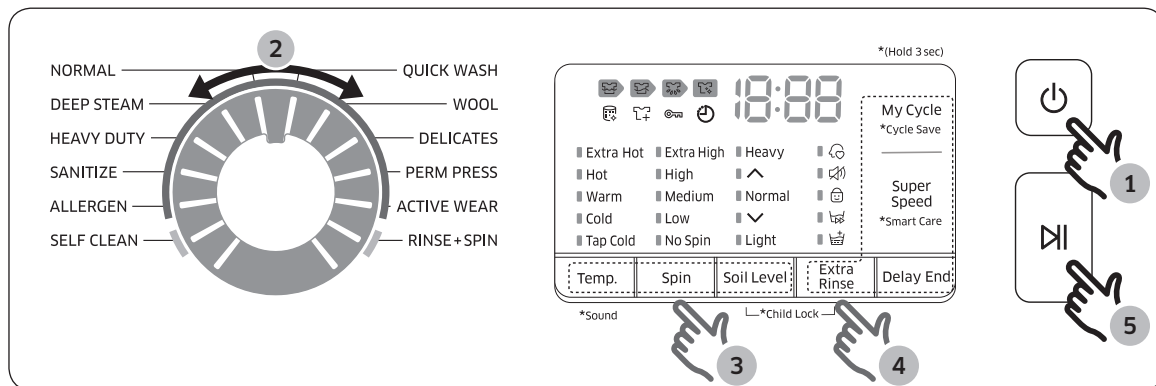
Operaciones

01 Selector de ciclos	Gire el dial para seleccionar un programa.
02 Pantalla	La pantalla muestra información sobre el programa actual y el tiempo estimado que queda o un código de información cuando ocurre un problema.
03 Temp. (Temperatura)	<p>Pulse para cambiar la temperatura del agua del programa actual.</p> <ul style="list-style-type: none"> • Extra Hot (Muy Caliente): Prendas muy sucias que no destiñen. Solo disponible con los programas Normal (Normal), Heavy Duty (Carga Pesada), Sanitize (Esterilizar) y Self Clean (Autolimpieza). • Hot (Caliente): Ropa blanca y prendas muy sucias que no destiñen. • Warm (Tibia): Elementos que no destiñen. • Cold (Fría): Prendas de colores vivos, ligeramente sucias. Si el agua fría suministrada está por debajo de 60°F/16°C, se puede agregar agua caliente o encender el calentador. • Tap Cold (Temperatura Ambiente): Agua fría sin agregar agua cálida.

04 Spin (Centrifugar)	<p>Pulse para cambiar la velocidad de centrifugado del programa actual.</p> <ul style="list-style-type: none"> • Extra High (Muy Rápido): Extrae más agua de las cargas durante el centrifugado. Para minimizar la formación de arrugas de las telas sin arrugas y que no necesitan planchado, NO use la opción de centrifugado Muy Rápido para dichas cargas y tampoco sobrecargue la lavadora. • High (Alto): Se usa para la ropa interior, las camisetas y los algodones resistentes. • Medium (Medio): Se usa para las prendas sin arrugas o que no necesitan planchado y las telas sintéticas. • Low (Bajo): Se usa para jeans o prendas delicadas que necesitan centrifugado a velocidad lenta. • No Spin (Sin Centrifugar): El tambor no centrifuga después del ciclo de desagüe final. • Mantener en remojo (No hay luces encendidas): Se suspende el ciclo de aclarado final para mantener la colada en el agua. Para sacar la ropa, ejecute un ciclo de desagüe o de centrifugado.
05 Soil Level (Nivel de Suciedad)	<p>Presione el botón para seleccionar el nivel de suciedad y el tiempo de lavado.</p> <ul style="list-style-type: none"> • Heavy (Pesado): Para prendas muy sucias. • ^ • Normal (Normal): Para prendas moderadamente sucias. Esta opción es la mejor para la mayoría de las cargas. • ∨ • Light (Ligero): Para prendas ligeramente sucias.
06 Extra Rinse (Extra Enjuague)	<p>Presione este botón para agregar un enjuague adicional al final de un ciclo de lavado para remover totalmente los aditivos de lavandería.</p>
07 Delay End (Termino Retardado)	<p>Puede demorar cualquier ciclo hasta 24 horas en incrementos de una hora. La hora en pantalla indica la hora en que terminará el lavado. (Consulte la página 37).</p>
08 My Cycle (Mi Ciclo)	<p>Elija su ciclo favorito, incluyendo temperatura, centrifugado, nivel de suciedad, opciones, etc. (consulte la página 39)</p>
09 Super Speed (Supervelocidad)	<p>Presione este botón si necesita acortar el tiempo de lavado, aplicable para curso Normal (Normal), Deep Steam (Vaporización Profunda), Heavy Duty (Carga Pesada) o Allergen (Alergenico). El tiempo acortado puede diferir dependiendo del Ciclos/Carga/Opción.</p>
10 Inicio/Pausa	<p>Inicia o detiene el funcionamiento.</p>
11 Encender/ Apagar	<p>Presione para encender/apagar la lavadora.</p>

Operaciones

Sencillos pasos para comenzar



1. Presione **Encender/Apagar** para poner en funcionamiento la lavadora.
2. Gire el **selector de ciclos** para seleccionar el ciclo deseado.
3. Cambie las configuraciones de ciclos (**Temp. (Temperatura)**, **Spin (Centrifugar)** y **Soil Level (Nivel de Suciedad)**) según sea necesario.
4. Seleccione las opciones deseadas según se necesite.
5. Presione **Inicio/Pausa**.

Para cambiar el ciclo durante el funcionamiento

1. Presione el botón **Inicio/Pausa** para detener la operación.
2. Seleccione un programa diferente.
3. Presione el botón **Inicio/Pausa** nuevamente para iniciar el nuevo programa.

ADVERTENCIA

No coloque nada encima de su lavadora mientras esté funcionando.

Descripción del ciclo

Programas estándar

Ciclo	Descripción
NORMAL (NORMAL)	<ul style="list-style-type: none"> Para algodón, ropa de cama y de mesa, ropa interior, toallas o camisas. El tiempo de lavado y el número de enjuagues se ajustan automáticamente en función de la carga.
DEEP STEAM (VAPORIZACIÓN PROFUNDA)	<ul style="list-style-type: none"> Para prendas muy sucias y que no destiñen, este ciclo ofrece una alta temperatura de lavado y vapor y resulta eficaz para eliminar manchas. (Consulte la página 40).
HEAVY DUTY (CARGA PESADA)	<ul style="list-style-type: none"> Para telas resistentes que no destiñen y prendas muy sucias.
SANITIZE (ESTERILIZAR)	<ul style="list-style-type: none"> Para prendas de vestir demasiado sucias o que no se destiñen. Este ciclo calienta el agua a 150 °F para eliminar las bacterias. <p>NOTA</p> <p>Si selecciona Pausa durante la porción de calentamiento del Ciclo de Esterilizar, la puerta de su lavadora permanecerá cerrada para su seguridad.</p> <p>Al seleccionar este ciclo, el agua se calienta a una temperatura extremadamente alta para eliminar ciertas bacterias que suelen alojarse por lo general en prendas, ropa de cama o toallas.</p> <p>Lea la etiqueta de la prenda para evitar daños a esta.</p>
ALLERGEN (ALERGENICO)	<ul style="list-style-type: none"> Este curso se aplica para eliminar ácaros de polvo, caspa de mascotas u otras sustancias alérgicas de las telas.
SELF CLEAN (AUTOLIMPIEZA)	<ul style="list-style-type: none"> Úselo para limpiar suciedad y moho del tambor. Se recomienda el uso regular (después de 40 lavados). No es necesario detergente ni lejía (consulte la página 41).
RINSE+SPIN (ENJUAGAR+CENTRIFUGAR)	<ul style="list-style-type: none"> Úselo para cargas que necesitan únicamente enjuague o para agregar a la carga suavizante de telas que ayuda al enjuague.
ACTIVE WEAR (ROPA DEPORTIVA)	<ul style="list-style-type: none"> Use este ciclo para lavar ropa deportiva, como buzos deportivos, pantalones deportivos, camisetas u otras prendas de entrenamiento. Este ciclo proporciona una eliminación efectiva de la suciedad al realizar el lavado con suavidad para prendas que requieren un cuidado especial.

Operaciones

Ciclo	Descripción
PERM PRESS (PLANCHADO PERMANENTE)	<ul style="list-style-type: none"> Para telas sintéticas que no necesitan planchado y prendas de ligera a moderadamente sucias.
DELICATES (DELICADOS)	<ul style="list-style-type: none"> Para telas finas, sujetadores, lencería, prendas de seda y otras telas que deben ser lavadas a mano únicamente. Para obtener mejores resultados, use detergente líquido.
WOOL (LANA)	<p>Para lanas que se puedan lavar en lavadora. Las cargas deben tener un peso inferior a las 8 lb. Para obtener los mejores resultados se recomiendan cargas de 4.4 lb o menos.</p> <ul style="list-style-type: none"> El ciclo Lana lava la ropa moviendo la tina de lavado horizontalmente para preservar las características de las fibras de lana y prevenir daños a la prenda de vestir. Luego se detiene por un momento para permitir que la ropa se remoje en el agua. Esta pausa en la operación del ciclo Wool (Lana) es normal. Recomendamos que utilice un detergente neutral para prevenir daños a la ropa y mejorar los resultados de la lavada.
QUICK WASH (LAVADO RÁPIDO)	<ul style="list-style-type: none"> Para prendas ligeramente sucias que se necesitan con urgencia.

Opciones

Opción	Descripción
Extra Rinse (Extra Enjuague)	<ul style="list-style-type: none"> Agregue un enjuague adicional al final del ciclo para remover totalmente los aditivos y perfumes de lavandería.
My Cycle (Mi Ciclo)	<ul style="list-style-type: none"> Elija su ciclo favorito, incluyendo temperatura, centrifugado, nivel de suciedad, opciones, etc.
Super Speed (Supervelocidad)	<ul style="list-style-type: none"> Presione este botón si necesita acortar el tiempo de lavado, aplicable para curso NORMAL, DEEP STEAM (VAPORIZACIÓN PROFUNDA), HEAVY DUTY (CARGA PESADA) O ALLERGEN (ALERGENICO). El tiempo acortado puede diferir dependiendo del Ciclos/Carga/Opciones.
Delay End (Termino Retardado)	<ul style="list-style-type: none"> El tiempo que se muestra se refiere al tiempo de finalización del programa seleccionado.

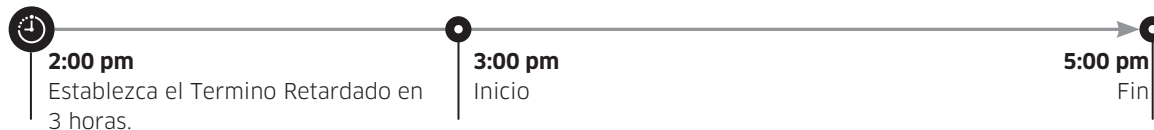
Delay End (Termino Retardado)

Puede hacer que la lavadora inicie automáticamente el proceso completo en otro momento, eligiendo un tiempo de retardo entre 1 y 24 horas (en incrementos de 1 hora). La hora que aparece en la pantalla indica el momento en el cual finalizará el proceso completo.

1. Seleccione un programa. Después, cambie los ajustes del programa si es necesario.
2. Pulse el botón **Delay End (Termino Retardado)** repetidas veces hasta establecer una hora de finalización deseada.
3. Presione **Inicio/Pausa**.
El 🕒 indicador se enciende con el reloj en funcionamiento.
4. Para cancelar el **Delay End (Termino Retardado)**, reinicie la máquina lavadora, para ello presione **Encender/Apagar**.

Ejemplo de uso


Usted quiere terminar un ciclo de dos horas dentro de 3 horas. Demorado al programa actual con el ajuste de tres horas y presiona el botón **Inicio/Pausa** a las 2:00 p.m. ¿Qué sucede entonces? La lavadora empieza a funcionar a las 3:00 p.m. y termina a las 5:00 p.m. A continuación se muestran los horarios para este ejemplo.



Operaciones

Características especiales

Más prendas

Puede agregar o retirar prendas para lavar incluso después de que haya comenzado el lavado, siempre y cuando esté encendida la luz de “”. Al presionar el botón **INICIO/PAUSA** se destraba la puerta, salvo que el agua esté demasiado caliente o que no haya mucha agua en la lavadora. Si puede destrabar la puerta y desea continuar el ciclo de lavado, cierre la puerta y presione el botón **INICIO/PAUSA**.

Spin Only (Solo centrifugado)

Si presiona el botón **ENCENDER/APAGAR** y luego presiona y sostiene el botón **Spin (Centrifugar)** durante 3 segundos, se mostrará el tiempo de centrifugado en el panel de la pantalla.

Luego presione el botón **Spin (Centrifugar)** repetidamente hasta que se seleccione el nivel de centrifugado requerido, y luego presione el botón **INICIO/PAUSA**.

NOTA

- Antes de presionar el botón de Spin Only (Solo centrifugado) para usar la función de solo centrifugado, puede seleccionar un ciclo con el Selector de ciclo. Si ha seleccionado un ciclo, puede seleccionar solamente el nivel de centrifugado que corresponde al ciclo seleccionado.


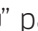
Child Lock (Seguro para niños)

La función Seguro para niños evita que los niños jueguen con la lavadora.

Una vez activada la función del Seguro para niños, el panel de control no se puede activar, así se evita que los niños jueguen con la lavadora.

Activación de la función Seguro para niños

Mantenga presionados simultáneamente los botones **Soil Level (Nivel de Suciedad)** y **Extra Rinse (Extra Enjuague)** durante aproximadamente 3 segundos.

- Si la función Seguro para Niños está activada, la puerta se bloquea y la lámpara de “Seguro para Niños ” se ilumina.
- Si se presiona el botón **INICIO/PAUSA** después de activar la función de Seguro para Niños, no funciona ningún botón, excepto **ENCENDER/APAGAR**.
- Si se presiona un botón cuando los botones están bloqueados, la lámpara de “Seguro para niños ” parpadea.

Pausa en la función Seguro para niños

Cuando la puerta está bloqueada o los botones están bloqueados por la función Seguro para Niños, puede hacer una pausa en la función de bloqueo para niños durante 1 minuto al mantener presionados simultáneamente los botones **Soil Level (Nivel de Suciedad)** y **Extra Rinse (Extra Enjuague)** durante aproximadamente 3 segundos.

- Si el modo de Seguro para Niños está en pausa temporalmente, el bloqueo de la puerta se libera durante 1 minuto para comodidad del usuario. Durante este tiempo, la lámpara de “Seguro para niños” parpadea.
- Si se abre la puerta transcurrido el minuto, suena una alarma durante 2 minutos.
- Si se cierra la puerta antes de transcurrir los 2 minutos, ésta se bloquea y la función Seguro para Niños se reactiva. Si se cierra la puerta después de los 2 minutos, ésta no se bloquea automáticamente ni se oye ninguna alarma.

Desactivación de la función Seguro para niños

Mantenga presionados simultáneamente los botones Soil Level (Nivel de Suciedad) y Extra Rinse (Extra Enjuague) durante aproximadamente 6 segundos.

O en estado “pausar la función de seguro para niños”, mantenga presionados los botones Soil Level (Nivel de Suciedad) y Extra Rinse (Enjuague adicional) en forma simultánea durante aproximadamente 3 segundos o más.

ADVERTENCIA

- Si la función Seguro para Niños está desactivada, la puerta se desbloquea y la lámpara de “Seguro para niños” se apaga.
- La función de seguro para niños impide que los niños o las personas discapacitadas pongan en funcionamiento la lavadora accidentalmente y se lesionen.
- Si un niño entra a la lavadora, puede quedar atrapado y asfixiarse.
- Una vez activada la función de seguro para niños, continúa funcionando aunque la lavadora esté apagada.
- Abrir la puerta por la fuerza puede dañar el producto y causar lesiones personales.

PRECAUCIÓN

Para agregar ropa cuando la función Seguro para niños está activada, primero se debe poner en pausa o desactivar dicha función.

NOTA

Si desea abrir la puerta de la lavadora cuando la función Bloqueo para niños está activada:

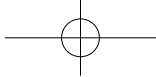
- Ponga en pausa o desactive la función Seguro para Niños.
- Apague la lavadora y enciéndala de nuevo.

My Cycle (Mi ciclo)

Cree su propio ciclo de lavado con configuraciones preferidas y use el ciclo con un botón.

Para crear su propio ciclo

1. Gire el **selector de ciclos** para seleccionar el ciclo deseado.
2. Cambie las configuraciones de ciclos (**Temp. (Temperatura)**, **Spin (Centrifugar)** y **Soil Level (Nivel de Suciedad)**) según sea necesario.
3. Para agregar una opción, presione el botón correspondiente.



Operaciones


4. Presione y sostenga **My Cycle (Mi Ciclo)** durante 3 segundos para guardar sus configuraciones. Los indicadores que corresponden parpadean durante 3 segundos. Una vez que guarda el ciclo, para usarlo presione My Cycle (Mi Ciclo).

NOTA

Si presiona el botón **My Cycle (Mi Ciclo)** y lo suelta dentro de 3 segundos, aparecerán las opciones y el ciclo guardados anteriormente.

Sound (Sonido)

Silencie el sonido o actívelo.

- Para silenciar el sonido o activarlo, mantenga presionado el botón **Temp. (Temperatura)** durante 3 segundos. Cuando el sonido está silenciado, el  indicador se enciende.

Uso del lavado a vapor

Si selecciona Deep Steam (Vaporización Profunda) el vapor actúa en tiempos más eficaces para la cantidad detectada de ropa para lavar, aumenta la temperatura del agua, mejora el efecto de remojo y mejora el rendimiento de lavado.

1. Cargue la lavadora.
2. Presione el botón **Encender/Apagar**.
3. Active el Selector de ciclos y seleccione **Deep Steam (Vaporización Profunda)**.
4. Vierta detergente en la bandeja del dosificador y suavizante de telas hasta la línea marcada.
5. Presione el botón **Inicio/Pausa**.
La lavadora selecciona automáticamente las condiciones de lavado óptimas al detectar el peso de las prendas.

NOTA

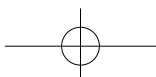
- El vapor puede no ser necesariamente visible durante los ciclos de vapor. Es posible que el vapor no esté presente en todo el ciclo de lavado al vapor.

ATC (control automático de la temperatura)

ATC permite que la lavadora controle las temperaturas del agua en cada proceso de lavado con el sensor de temperatura (termistor) interno. Está diseñado para mantener un cierto nivel de temperatura de lavado para mejores resultados.

NOTA

- Si selecciona NORMAL o HEAVY DUTY (CARGA PESADA), puede que observe que la lavadora suministra el agua fría. Esto es normal porque la máquina está diseñada para reducir el consumo de energía.
- En estos ciclos la temperatura Caliente es similar a las temperaturas de agua de baño, y la temperatura Tibia a temperaturas confortables de piscinas.
- Para lavar a una temperatura específica, debe elegir un ciclo diferente primero.



Mantenimiento

Mantenga la secadora limpia para impedir el deterioro del desempeño y para preservar su vida útil.

Self Clean (Autolimpieza)

Ejecute este programa regularmente para limpiar el tambor y eliminar las bacterias que haya en él.

1. Presione **Encender/Apagar** para poner en funcionamiento la lavadora.
2. Presione **Self Clean (Autolimpieza)**.
3. Presione **Inicio/Pausa**.

NOTA

En **Self Clean (Autolimpieza)**, la temperatura del agua está establecida en **Extra Hot (Muy Caliente)** y no se puede modificar.

PRECAUCIÓN

No utilice ningún tipo de agente limpiador para limpiar el tambor. Los residuos químicos en el tambor deterioran el rendimiento del lavado.

Recordatorio de Self Clean (Autolimpieza)

- El recordatorio **Self Clean (Autolimpieza)** aparece en la pantalla principal una vez cada 40 lavado. Se recomienda realizar la **Self Clean (Autolimpieza)** con regularidad.
- Cuando ve este recordatorio por primera vez, puede ignorar el recordatorio por 6 lavados consecutivos. A partir del 7^{mo} lavado, el recordatorio ya no aparece. Sin embargo aparece nuevamente la segunda vez que se cumplen 40 lavados.

Mantenimiento

Smart Care (Cuidado Inteligente)

Para activar esta función, primero debe descargar Samsung Smart Washer en Play Store o Apple Store e instalarlo en un dispositivo móvil con cámara.

La función Smart Care (Cuidado Inteligente) se ha optimizado para: series Galaxy e iPhone (no es compatible con algunos modelos)

La lavadora hace correr el auto diagnóstico en segundo plano y muestra un código de información si se halla un error. Si este es el caso, siga estos pasos:

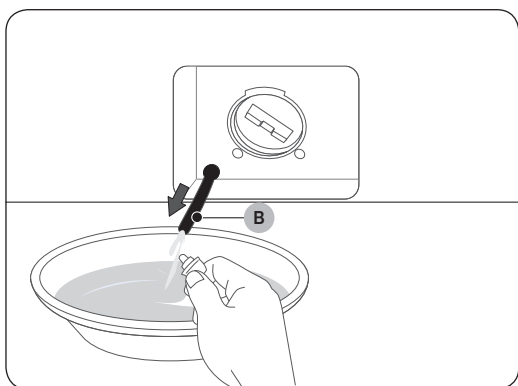
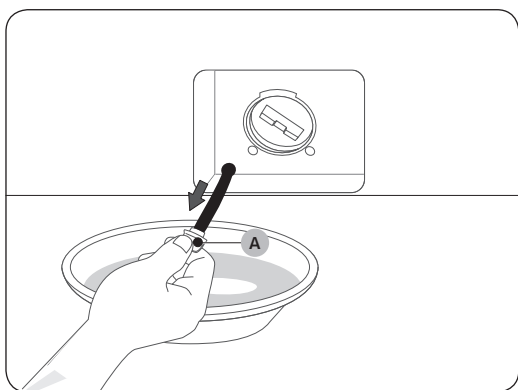
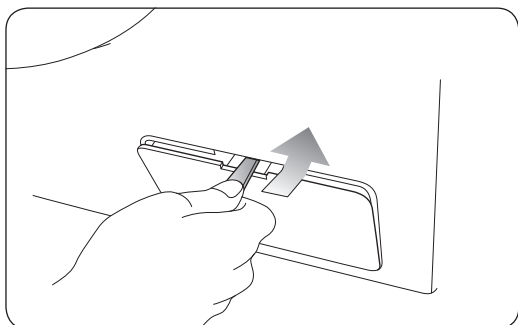
1. Para habilitar la función Cuidado Inteligente, mantenga presionado el botón **Super Speed (Supervelocidad)** durante 3 segundos dentro de los 10 segundos después de encender mediante la presión del botón **Encender/Apagar**.
2. Oriente el dispositivo móvil hacia la pantalla de la lavadora de tal manera que el dispositivo móvil y la lavadora estén frente a frente. Después, la aplicación reconocerá automáticamente el código de información.
3. Cuando el código de error se reconoce correctamente, la aplicación proporciona información detallada sobre el error y sobre las acciones que hay que realizar.

NOTA

- El nombre de la función, Smart Care (Cuidado Inteligente), puede diferir dependiendo del idioma.
- Si se refleja luz en la pantalla de la lavadora, es posible que la aplicación no reconozca el código de información.
- Si la aplicación no reconoce el código de Smart Care (Cuidado Inteligente) en ocasiones sucesivas, introduzca manualmente el código de información en la pantalla de la aplicación.

Desagüe de emergencia

En caso de interrupción del suministro eléctrico, vacíe el agua del tambor antes de sacar la ropa.



1. Apague y desconecte la lavadora de la toma eléctrica.
2. Presione con suavidad el área superior de la cubierta del filtro para abrirla.
3. Coloque un recipiente vacío, espacioso sobre la cubierta y estire el tubo de drenaje de emergencia hacia el recipiente mientras sostiene la **tapa del tubo (A)**.
4. Abra la tapa del tubo y deje que el agua en el **tubo de drenaje de Emergencia (B)** fluya hacia el recipiente.
5. Cuando termine, cierre la tapa del tubo y vuelva a insertar el tubo. Luego, cierre la cubierta del filtro.

NOTA

Use un recipiente espacioso porque el agua en el tambor puede ser más de la esperada.

Mantenimiento

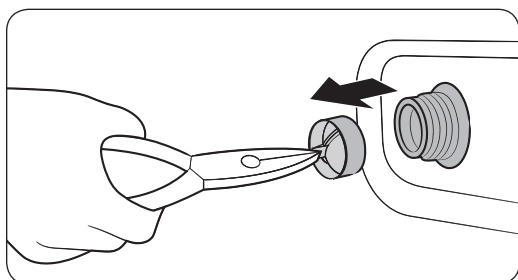
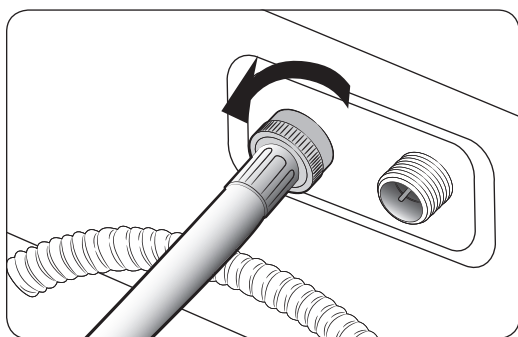
Limpieza

Superficie de la lavadora

Utilice un paño suave con un detergente doméstico no abrasivo. No rocíe agua sobre la lavadora.

Filtro de malla

Limpie el filtro de malla de la manguera de suministro de agua una o dos veces al año.



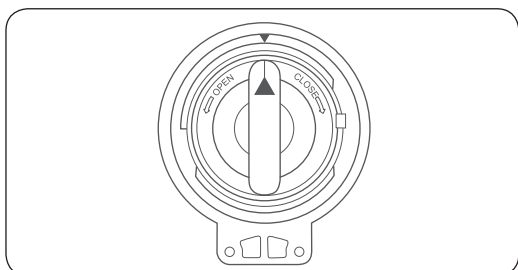
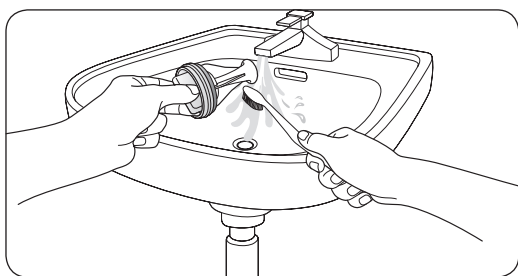
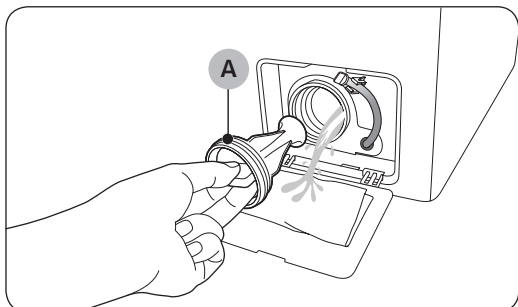
1. Apague la lavadora y desenchufe el cable de alimentación.
2. Cierre el grifo del agua.
3. Afloje la manguera de suministro de agua y desconéctela de la parte posterior de la lavadora. Cubra la manguera con un paño para evitar que salga el agua.
4. Utilice unas pinzas para extraer el filtro de malla de la válvula de entrada.
5. Sumerja profundamente el filtro de malla de tal manera que el conector roscado esté también sumergido.
6. Deje secar totalmente el filtro de malla a la sombra.
7. Vuelva a insertar el filtro de malla en la válvula de entrada y reconecte la manguera de agua a la válvula de entrada.
8. Abra el grifo del agua.

NOTA

Si el filtro de malla está obstruido, aparecerá en la pantalla el código de error “4C”.

Filtro de la bomba

Es aconsejable limpiar el filtro de la bomba 5 o 6 veces al año para evitar que se obstruya.



1. Apague la lavadora y desenchufe el cable de alimentación.
2. Desagote el agua que resta dentro del tambor. Consulte la sección “Desagüe de emergencia”.
3. Abra la cubierta del filtro utilizando una moneda o una llave.
4. Gire la **perilla del filtro de la bomba (A)** hacia la izquierda y vacíe el agua restante.
5. Limpie el filtro de la bomba con cepillos suaves. Asegúrese de que la bomba de desagüe situada dentro del filtro no esté obstruida.
6. Vuelva a introducir el filtro de la bomba y gire la perilla del filtro hacia la derecha.

NOTA

- Algunos filtros de bomba tienen una perilla de seguridad que está diseñada para prevenir accidentes causados por los niños. Para abrir la perilla de seguridad del filtro de la bomba, presione y gírelo en sentido contrario al de las agujas del reloj. El mecanismo de resorte de la perilla de seguridad ayuda a abrir el filtro.
- Para cerrar la perilla de seguridad del filtro de la bomba, gírelo en sentido de las agujas del reloj. El muelle produce un ruido que es normal.

NOTA

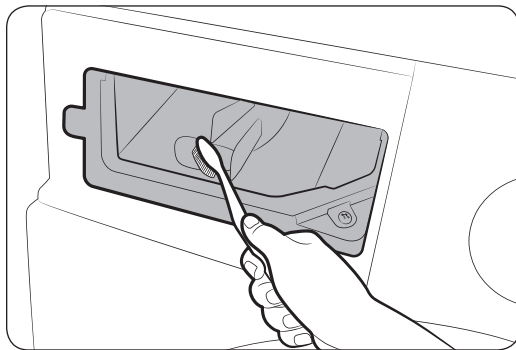
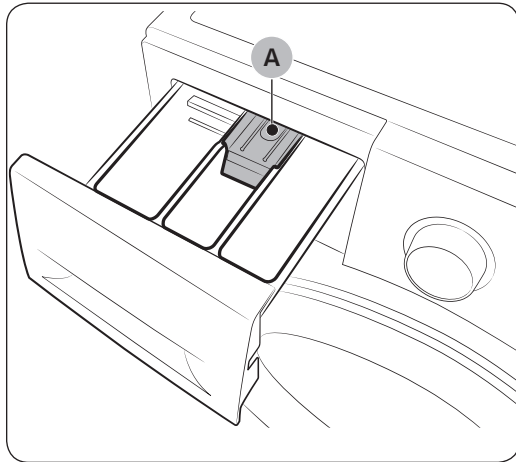
Si el filtro de la bomba está obstruido, aparecerá en la pantalla un código de información “5C”.

PRECAUCIÓN

- Asegúrese de que el tapón del filtro esté correctamente cerrado después de limpiarlo. De lo contrario, puede producirse una fuga de agua.
- Asegúrese de que el filtro esté correctamente introducido después de limpiarlo. De lo contrario, puede producirse un fallo de funcionamiento o una fuga de agua.

Mantenimiento

Cajón para detergente

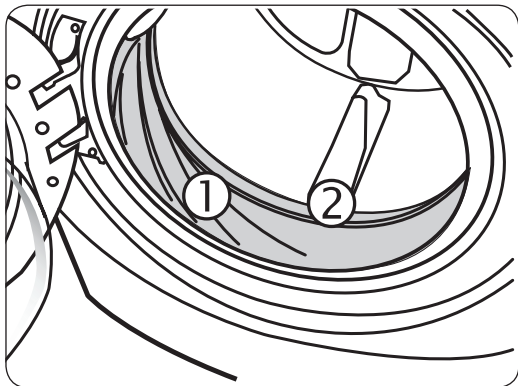


1. Mientras presiona la **palanca de desbloqueo (A)** del interior de la cubeta, deslice la cubeta para abrirla.
2. Retire la **palanca de desbloqueo** y el **contenedor para detergente líquido** de la cubeta.
3. Limpie las piezas de la cubeta utilizando agua corriente y un cepillo suave.
4. Limpie el hueco de la cubeta con un cepillo suave.
5. Vuelva a introducir en la cubeta la **palanca de desbloqueo** y el **contenedor para detergente líquido**.
6. Deslice la cubeta hacia adentro para cerrarla.

NOTA

Para sacar el detergente que queda, realice el programa **RINSE+SPIN** (ENJUAGAR+CENTRIFUGAR) con el tambor vacío.

Diafragma de puerta



1. Abra la puerta de la lavadora y saque la ropa o cualquier otro objeto.
2. Verifique si hay alguna sustancia extraña en los diafragmas grises ⊕ entre la tapa y el tambor. Para verificar esto, dé la vuelta al diafragma ⊗.
3. Si hay sustancias extrañas, retírelas.
4. Si encuentra zonas sucias, límpielas utilizando el siguiente procedimiento:
 - a) Mezcle una solución diluida de $\frac{3}{4}$ de taza (177 mL) de blanqueador líquido con cloro y 1 gal. (3.8 L) de agua corriente caliente.
 - b) Limpie el área del diafragma con la solución de dilución con un paño húmedo.
 - c) Deje reposar durante 5 minutos.
 - d) Limpie meticulosamente el área con un paño seco y deje la puerta abierta para que se seque el interior de la lavadora.

⚠ PRECAUCIÓN

Póngase guantes de goma cuando vaya a realizar una limpieza prolongada. Consulte las instrucciones del fabricante del blanqueador para un uso adecuado.

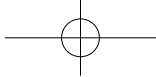
Recuperación tras una congelación

Si la temperatura baja de 0 °C, la lavadora puede congelarse.

1. Apague la lavadora y desenchufe el cable de alimentación.
2. Vierta agua tibia sobre el grifo del agua para aflojar la manguera de suministro de agua.
3. Desconecte la manguera de suministro de agua y sumérgala en agua tibia.
4. Vierta agua tibia en el tambor y déjela unos 10 minutos.
5. Vuelva a conectar la manguera de suministro de agua al grifo del agua.

📄 NOTA

Si la lavadora sigue sin funcionar con normalidad, repita los pasos anteriores hasta que así sea.



Mantenimiento

Mantenimiento de cara a un periodo prolongado sin utilizar la lavadora

Evite dejar la lavadora sin utilizar durante un tiempo prolongado. Si este es el caso, vacíe la lavadora y desenchufe el cable de alimentación.

1. Gire el **selector de programas** para seleccionar **RINSE+SPIN (ENJUAGAR+CENTRIFUGAR)**.
2. Vacíe el tambor y pulse el botón **Inicio/Pausa**.
3. Cuando se haya completado el programa, cierre el grifo del agua y desconecte la manguera de suministro de agua.
4. Apague la lavadora y desenchufe el cable de alimentación.
5. Abra la puerta para dejar que circule el aire por el tambor.

Limpieza del exterior

1. Cierre las llaves de agua después de finalizar el lavado del día.
Esto cerrará el suministro de agua a la lavadora y evitará la improbable posibilidad de que se produzcan daños a causa del derrame de agua. Deje la puerta abierta para permitir que el interior de la lavadora se seque.
2. Use un paño suave para limpiar todo el detergente, el blanqueador u otros derrames a medida que ocurran.
Limpie lo siguiente tal como se recomienda:
 - Panel de control: limpie con un paño suave y húmedo. No use polvos abrasivos ni paños de limpieza. No rocíe.
 - limpiadores directamente en el panel.

Limpieza del interior

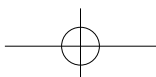
Limpie el interior de la lavadora periódicamente para eliminar todo vestigio de suciedad, polvo, olor, moho, hongos o bacterias que pueda permanecer en la lavadora como consecuencia del lavado de ropa.

PRECAUCIÓN

El incumplimiento de estas instrucciones puede dar como resultado situaciones poco satisfactorias, tales como olor y/o manchas permanentes en la lavadora o en las prendas.

NOTA

Se pueden retirar los depósitos de agua dura si fuera necesario. Use limpiadores con el rótulo "Seguro para lavadoras" .



Solución de problemas

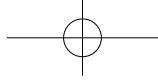
Verificaciones

Si tiene algún problema con la lavadora, primero consulte la tabla siguiente y pruebe las sugerencias.

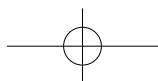
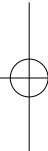
Problema	Acción
No se enciende.	<ul style="list-style-type: none">• Verifique que la lavadora esté enchufada.• Asegúrese de que la puerta esté adecuadamente cerrada.• Asegúrese de que las canillas estén abiertas.• Asegúrese de presionar o tocar Inicio/Pausa para iniciar la lavadora.• Asegúrese de que la función de Seguro para Niños no esté activada.• Antes de que la lavadora comience a llenarse, se escuchará una serie de sonidos semejantes a un "clic" para controlar la traba de la puerta y que se efectúe un drenaje rápido.• Revise el fusible o reinicie el disyuntor.
El suministro de agua es insuficiente o no se suministra agua.	<ul style="list-style-type: none">• Abra completamente el grifo del agua.• Asegúrese de que la puerta esté adecuadamente cerrada.• Compruebe que la manguera de la fuente de agua no esté congelada.• Asegúrese de que la manguera de suministro de agua no está doblada ni congelada.• Asegúrese de que haya suficiente presión de agua.
Después de un ciclo, queda detergente en el cajón del detergente.	<ul style="list-style-type: none">• Asegúrese de que la lavadora funcione con suficiente presión de agua.• Asegúrese de verter el detergente en la parte central del cajón para detergente.• Asegúrese de que la tapa de enjuague esté insertada apropiadamente.• Si usa detergente granulado, asegúrese de que selector de detergente esté en la posición superior.• Saque la tapa de enjuague y limpie el cajón del detergente.
Vibraciones excesivas o hace ruidos.	<ul style="list-style-type: none">• Asegúrese de que la lavadora esté instalada en un piso nivelado, sólido, que no sea resbaloso. Si el piso no está nivelado, use las patas niveladoras para ajustar la altura de la lavadora.• Asegúrese de que se hayan retirado los tornillos de transporte.• Asegúrese de que la lavadora no esté en contacto con ningún otro objeto.• Verifique que la carga de ropa sea equilibrada.• El motor puede causar ruido durante el funcionamiento normal.• Los mamelucos o la ropa con ornamentos de metal pueden causar ruido mientras se lavan. Esto es normal.• Los objetos de metal, como las monedas pueden causar ruido. Después de lavar, saque estos objetos del tambor o caja del filtro.

Solución de problemas

Problema	Acción
No drena o centrifuga.	<ul style="list-style-type: none"> • Asegúrese de que la manguera de drenaje esté derecha todo el camino al sistema de desagote. Si encuentra una restricción al drenaje, llame a reparaciones. • Compruebe que el filtro de residuos no esté obstruido. • Cierre la puerta y presione o toque Inicio/Pausa. Para su seguridad, la lavadora no girará ni centrifugará a menos que la puerta esté cerrada. • Asegúrese de que la manguera de drenaje no esté congelada ni obstruida. • Asegúrese de que la manguera de drenaje esté conectada a un sistema de drenaje que no esté obstruido. • Si la lavadora no recibe suministro de energía suficiente, la lavadora no drenará ni centrifugará temporalmente. Tan pronto como la lavadora recupere la energía suficiente, funcionará normalmente.
No abre la puerta.	<ul style="list-style-type: none"> • Presione o toque Inicio/Pausa para detener la lavadora. • Puede llevar algunos minutos para que el mecanismo de cierre de la tapa se desconecte. • La puerta no se abrirá hasta 3 minutos después de que la lavadora se haya detenido o se haya apagado. • Asegúrese de que todo el agua en el tambor esté drenado. • Puede que no se abra la puerta si queda agua en el tambor. Desagote el tambor y abra la puerta en forma manual. • Asegúrese de que la luz de cierre de puerta esté apagada. La luz del cierre de la puerta se apaga después de que la lavadora se haya desagotado.
Espuma en exceso.	<ul style="list-style-type: none"> • Asegúrese de usar los tipos de detergente recomendados según corresponda. • Use un detergente de alta eficacia (HE) para evitar la formación de espuma en exceso. • Reduzca la cantidad de detergente para el agua blanda, las cargas pequeñas o las cargas ligeramente sucias. • NO se recomienda un detergente de baja eficacia.
No se puede aplicar detergente adicional.	<ul style="list-style-type: none"> • Asegúrese de que la cantidad restante de detergente y el suavizante de telas no esté sobre el límite.



Problema	Acción
Se detiene.	<ul style="list-style-type: none">• Enchufe el cable de alimentación a un tomacorriente que funcione.• Revise el fusible o reinicie el disyuntor.• Cierre la puerta y presione el botón Inicio/Pausa para iniciar la lavadora. Para su seguridad, la lavadora no girará ni centrifugará a menos que la puerta esté cerrada.• Antes de que la lavadora comience a llenarse, se escuchará una serie de sonidos semejantes a un "clic" para controlar la traba de la puerta y que se efectúe un drenaje rápido.• Se puede producir una pausa o un período de remojo en el ciclo. Espere un instante para ver si la lavadora comienza a funcionar.• Asegúrese de que el filtro de malla de la manguera de suministro de agua en los grifos de agua no estén obstruidos. Periódicamente limpie el filtro de malla.• Si la lavadora no recibe suministro de energía suficiente, la lavadora no drenará ni centrifugará temporalmente. Tan pronto como la lavadora recupere la energía suficiente, funcionará normalmente.
Se llena con la temperatura de agua equivocada.	<ul style="list-style-type: none">• Abra completamente ambos grifos.• Asegúrese de que la selección de temperatura sea la correcta.• Asegúrese de que las mangueras estén conectadas a los grifos correctos. Purgue las cañerías.• Asegúrese de que el calentador de agua esté configurado para suministrar agua caliente a un mínimo de 120 °F (49 °C) en el grifo. También, compruebe la capacidad del calentador de agua y tasa de recuperación.• Desconecte las mangueras y limpie el filtro de malla. El filtro de malla puede estar obstruido.• A medida que la lavadora se llena, la temperatura del agua puede variar debido a que la función automática de control de la temperatura controla la temperatura del agua que ingresa. Esto es normal.• Mientras la lavadora se llena, es posible que observe que por el dosificador pasa sólo agua caliente y/o sólo agua fría cuando se seleccionan las temperaturas de lavado fría o tibia. Ésta es una función normal que cumple el control de temperatura automático dado que la lavadora determina la temperatura del agua.



Solución de problemas

Problema	Acción
La carga está húmeda al final del ciclo.	<ul style="list-style-type: none">• Use la velocidad de centrifugado High (Alto) o Extra High (Muy Rápido).• Use detergente de alta eficacia (HE) para reducir el exceso de espuma.• La carga es demasiado pequeña. Las cargas muy pequeñas (una o dos prendas) se pueden desequilibrar y no centrifugarse completamente.• Asegúrese de que la manguera de drenaje no está doblada ni obstruida.
Pierde agua.	<ul style="list-style-type: none">• Asegúrese de que la puerta esté adecuadamente cerrada.• Asegúrese de que todas las conexiones de las mangueras estén ajustadas.• Asegúrese de que el extremo de la manguera de drenaje esté correctamente conectado y asegurado al sistema de drenaje.• Evite sobrecargar la lavadora.• Use un detergente de alta eficacia (HE) para evitar la formación de espuma en exceso.
Tiene olores.	<ul style="list-style-type: none">• El exceso de espuma se acumula en los recovecos y puede causar malos olores.• Ejecute ciclos de limpieza para limpiar la máquina periódicamente.• Limpie la junta de la puerta (diafragma).• Seque el interior de la lavadora después de que haya terminado el ciclo.
No se ven burbujas (Solo modelos Bubbleshot).	<ul style="list-style-type: none">• La sobrecarga puede ocultar las burbujas.• La ropa severamente contaminada puede no generar burbujas.

Si el problema persiste, comuníquese con un centro de servicio local de Samsung.

Códigos de información

Si la lavadora no funciona, puede que vea un código de información en la pantalla. Consulte la siguiente tabla y pruebe las sugerencias.

Código	Acción
4C	No hay suministro de agua. <ul style="list-style-type: none">• Asegúrese de que las canillas estén abiertas.• Compruebe que las mangueras de agua no estén obstruidas.• Asegúrese de que las canillas estén congeladas.• Asegúrese de que la lavadora funcione con suficiente presión de agua.• Asegúrese de que la canilla de agua fría esté conectada apropiadamente.• Limpie el filtro de red ya que puede estar obstruido.
4C2	<ul style="list-style-type: none">• Asegúrese de que la manguera de suministro de agua fría esté conectada firmemente a la canilla de agua fría. Si está conectada a la canilla de agua caliente, puede que se deforme la ropa con algunos ciclos.
5C	No hay desagote de agua. <ul style="list-style-type: none">• Asegúrese de que la manguera de drenaje no esté congelada ni obstruida.• Asegúrese de que la manguera de drenaje esté posicionada correctamente, dependiendo del tipo de conexión.• Limpie el filtro de basura ya que puede estar obstruido.• Asegúrese de que la manguera de drenaje esté derecha todo el camino al sistema de desagote.• Si permanece el código de información, contacte con un centro de atención al cliente.
dC	Funcionamiento de la lavadora con la puerta abierta. <ul style="list-style-type: none">• Asegúrese de que la puerta esté adecuadamente cerrada.• Asegúrese de que no haya ropa atrapada en la puerta.
OC	Se derrama el agua. <ul style="list-style-type: none">• Reinicie después del centrifugado.• Si el código de información permanece en la pantalla, contacte un centro de atención al cliente de Samsung local.
LC, LC1	Revise la manguera de drenaje. <ul style="list-style-type: none">• Asegúrese de que el extremo de la manguera de drenaje esté colocado en el piso.• Asegúrese de que la manguera de drenaje no esté obstruida.• Si permanece el código de información, contacte con un centro de atención al cliente.

Solución de problemas

Código	Acción
Ub	<p>El centrifugado no funciona.</p> <ul style="list-style-type: none"> • Asegúrese de que la ropa esté distribuida en forma pareja. • Asegúrese de que la lavadora esté en una superficie plana, estable. • Redistribuya la carga. Si solo se necesita lavar un elemento como por ejemplo una bata o un par de jeans, el centrifugado final puede no ser satisfactorio, y aparecerá un mensaje de revisión “Ub” en la pantalla.
3C	<p>Revise el funcionamiento del motor.</p> <ul style="list-style-type: none"> • Pruebe reiniciar el ciclo. • Si permanece el código de información, contacte con un centro de atención al cliente.
UC	<p>Hay que verificar el control electrónico.</p> <ul style="list-style-type: none"> • Verifique si el suministro de energía funciona adecuadamente. • Si permanece el código de información, contacte con un centro de atención al cliente.
	<p>Se detectó tensión baja.</p> <ul style="list-style-type: none"> • Verifique si el cable de alimentación está enchufado. • Si permanece el código de información, contacte con un centro de atención al cliente.
HC	<p>Verificación de calefacción de alta temperatura.</p> <ul style="list-style-type: none"> • Si permanece el código de información, contacte con un centro de atención al cliente.
1C	<p>El sensor de Nivel de Agua no está funcionando bien.</p> <ul style="list-style-type: none"> • Apague la máquina y reinicie el ciclo. • Si permanece el código de información, contacte con un centro de atención al cliente.
AC	<p>Verifique las comunicaciones entre el PBA principal y el sub PBA.</p> <ul style="list-style-type: none"> • Apague la máquina y reinicie el ciclo. • Si permanece el código de información, contacte con un centro de atención al cliente.





Si un código de información sigue apareciendo en la pantalla, comuníquese con un centro de servicio local de Samsung.

Especificaciones

Tabla de indicaciones sobre telas

Los siguientes símbolos ofrecen indicaciones acerca de las prendas. La etiqueta de indicaciones de la prenda incluye símbolos para secado, blanqueado, secado y planchado, o limpieza en seco cuando son necesarios. El uso de símbolos garantiza la consistencia entre los fabricantes textiles de artículos nacionales e importados. Siga las indicaciones de la etiqueta para optimizar la vida útil de la prenda y reducir los problemas del lavado.

Ciclo de lavado

	Normal
	Plancha permanente/ Antiarrugas/Control de arrugas
	Prendas suaves / delicadas
	Lavado a mano




Temperatura del agua

...	Caliente
..	Tibia
.	Fría



NOTA

Representa las temperaturas del agua del lavado apropiadas para diversas prendas. El rango de temperatura para Caliente inferior a 135°F/57°C, para tibia inferior a 105°F/41°C y para fría inferior a 85°F/29°C. (La temperatura del agua del lavado debe alcanzar un mínimo de 16 °C para que se active el detergente y se logre un lavado eficaz.)




Blanqueador

	Cualquier blanqueador (cuando sea necesario)
	Solo blanqueador sin cloro (protección del color) (si es necesario)
	Secar en secadora






Normal

	Plancha permanente/ Antiarrugas/Control de arrugas
	Prendas suaves / delicadas

Instrucciones especiales

	Secar colgado/tender
	Colgar para que escurra
	Secar en posición horizontal

Secado con calor




	Alta
	Media
	Baja
	Cualquier calor
	Sin calor/aire




Especificaciones

Temperaturas de secado con plancha o vapor






	Alta
	Media
	Baja

Símbolos de advertencia para el lavado

	No lavar
	No retorcer
	No usar blanqueador

	No secar en secadora
	Sin vapor (agregado a la plancha)
	No planchar

Limpiar en seco

	Limpiar en seco
	No limpiar en seco
	Secar colgado/tender
	Colgar para que escurra
	Secar en posición horizontal

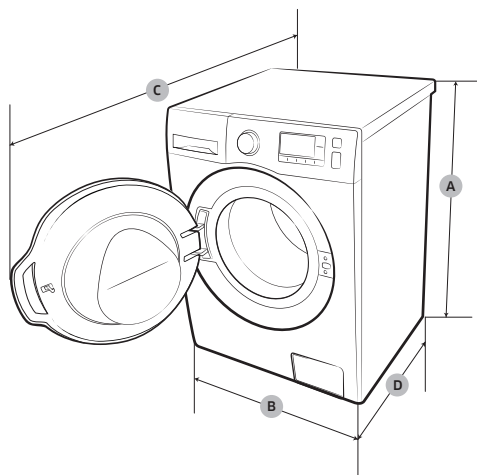
Protección del medio ambiente

- Este electrodoméstico se fabrica con materiales reciclables. Si decide deshacerse de ella, siga la normativa local relacionada con la eliminación de desechos. Corte el cable de alimentación para que el electrodoméstico no pueda conectarse a una fuente de alimentación. Quite la tapa para que los animales y los niños pequeños no puedan quedar atrapados dentro de la lavadora.
- No utilice cantidades de detergente mayores a las recomendadas por el fabricante del detergente.
- Utilice productos quitamanchas y blanqueadores antes del ciclo de lavado y solo cuando sea necesario.
- Ahorre agua y electricidad utilizando solo la capacidad total de la lavadora (la cantidad exacta depende del programa que se utilice).

Declaración de conformidad

Este aparato cumple con la norma UL2157.

Hoja de especificaciones



Tipo		Lavadora de carga frontal	
Dimensiones (Pulgadas (mm))	A. Altura-General	33.5 (850)	
	B. Ancho	23.6 (600)	
	C. Profundidad con la puerta abierta	43.3 (1100)	
	D. Profundidad	26.6 (675)	
Presión del agua (psi (kPa))		20 - 116 (137 - 800)	
Peso NETO (lb (kg))		156 (71)	
Revoluciones del centrifugado		1400 rpm	
Potencia del calentador (W)		900	
Potencia del calentador	Lavado	120 V	200 W
	Lavado y calentamiento	120 V	1150 W
	Centrifugar	120 V	550 W
	Drenaje	120 V	80 W

Especificaciones

Especificaciones

Tabla de ciclos

Use esta tabla para configurar el mejor ciclo y las opciones para su lavadora.

NOTA

Configuración	Temp. (Temperatura)	Spin (Centrifugar)	Soil Level (Nivel de Suciedad)
●: configurado en fábrica	EH: Extra Hot (Muy Caliente)	EH: Extra High (Muy Rápido)	H: Heavy (Pesado)
●: se puede seleccionar	H: Hot (Caliente)	H: High (Alto)	^
	W: Warm (Tibia)	M: Medium (Medio)	N: Normal (Normal)
	C: Cold (Fría)	L: Low (Bajo)	∇
	TC: Tap Cold (Temperatura Ambiente)	NS: No Spin (Sin Centrifugar)	L: Light (Ligero)

WW22K6800A*

Ciclo	Temp. (Temperatura)					Spin (Centrifugar)					Soil Level (Nivel de Suciedad)				
	EH	H	W	C	TC	EH	H	M	L	NS	H	^	N	∇	L
NORMAL (NORMAL)	●	●	●	●	●	●	●	●	●	●	●	●	●	●	●
DEEP STEAM (VAPORIZACIÓN PROFUNDA)		●				●	●	●	●	●	●				
HEAVY DUTY (CARGA PESADA)	●	●	●	●	●	●	●	●	●	●	●	●	●	●	●
SANITIZE (ESTERILIZAR)	●					●	●	●	●	●	●	●	●	●	●
ALLERGEN (ALERGENICO)		●				●	●	●	●	●	●	●	●	●	●
SELF CLEAN (AUTOLIMPIEZA)	●								●						
RINSE+SPIN (ENJUAGAR + CENTRIFUGAR)						●	●	●	●	●					
ACTIVE WEAR (ROPA DEPORTIVA)			●	●	●				●	●	●	●	●	●	●
PERM PRESS (PLANCHADO PERMANENTE)			●	●	●		●	●	●	●	●	●	●	●	●
DELICATES (DELICADOS)			●	●	●				●	●	●	●	●	●	●
WOOL (LANA)			●	●	●				●	●			●		
QUICK WASH (LAVADO RÁPIDO)		●	●	●	●	●	●	●	●	●	●	●	●	●	●

Ciclo	Opciones				
	Extra Rinse (Extra Enjuague)	Super Speed (Supervelocidad)	My cycle (Mi Ciclo)	Delay End (Termino Retardado)	Sound (Sonido)
NORMAL (NORMAL)	●	●	●	●	●
DEEP STEAM (VAPORIZACIÓN PROFUNDA)	●	●	●	●	●
HEAVY DUTY (CARGA PESADA)	●	●	●	●	●
SANITIZE (ESTERILIZAR)	●		●	●	●
ALLERGEN (ALERGENICO)	●	●	●	●	●
SELF CLEAN (AUTOLIMPIEZA)				●	●
RINSE+SPIN (ENJUAGAR + CENTRIFUGAR)	●		●	●	●
ACTIVE WEAR (ROPA DEPORTIVA)	●		●	●	●
PERM PRESS (PLANCHADO PERMANENTE)	●		●	●	●
DELICATES (DELICADOS)	●		●	●	●
WOOL (LANA)			●	●	●
QUICK WASH (LAVADO RÁPIDO)	●		●	●	●

Garantía (Estados Unidos)

LAVADORA SAMSUNG

GARANTÍA LIMITADA PARA EL COMPRADOR ORIGINAL

El presente producto de la marca SAMSUNG, tal como lo provee y distribuye SAMSUNG ELECTRONICS AMERICA, INC. (SAMSUNG) y lo entrega nuevo, en su embalaje de cartón original al comprador o consumidor original, está garantizado por SAMSUNG contra defectos de fabricación de los materiales y la mano de obra durante el período limitado de la garantía de:

Un (1) año para las piezas y la mano de obra, Tres (3) años para las piezas del tambor inoxidable (Solo piezas), Diez (10) años para las piezas del motor DD de la lavadora (Solo piezas)

La presente garantía limitada comienza en la fecha original de compra y es válida únicamente para productos comprados y usados en los Estados Unidos. Para recibir el servicio técnico de la garantía, el comprador debe comunicarse con SAMSUNG con el fin de que se determine el problema y los procedimientos del servicio. El servicio técnico de la garantía sólo puede ser prestado por un centro de servicio técnico autorizado de SAMSUNG. Se debe presentar la factura de compra original como prueba de compra a SAMSUNG o al servicio técnico autorizado de SAMSUNG. SAMSUNG prestará servicio técnico a domicilio durante el período de la garantía sin costo, sujeto a la disponibilidad dentro de los Estados Unidos contiguos. El servicio técnico a domicilio no está disponible en todas las áreas.

Para recibir el servicio técnico a domicilio, el producto no debe presentar obstrucciones y debe ser accesible para el agente del servicio técnico. Si el servicio técnico no está disponible, SAMSUNG puede optar por transportar el producto hasta y desde el servicio técnico autorizado.

SAMSUNG reparará, reemplazará el producto u ofrecerá un reembolso a su criterio y sin cargo adicional, tal como se establece en la presente garantía, con piezas o productos nuevos o reacondicionados si se comprueba que es defectuoso durante el período limitado de la garantía especificado anteriormente. Todas las piezas y los productos reemplazados pasan a ser propiedad de SAMSUNG y deben ser devueltos a SAMSUNG. Las piezas y los productos reemplazados asumen la garantía original que resta, o noventa (90) días, el período que sea el más prolongado. La presente garantía limitada cubre defectos de fabricación de los materiales y la mano de obra encontrados durante el uso normal y doméstico de este producto y no será válida para lo siguiente: daños que ocurran durante el envío; entrega e instalación; aplicaciones y usos para los cuales el presente producto no fue destinado; números de serie o producto alterados; daño cosmético o acabado exterior; accidentes, abuso, descuido, incendio, inundación, caída de rayos, u otros casos fortuitos o de fuerza mayor; uso de productos, equipo, sistemas, utilidades, servicios, piezas, suministros, accesorios, aplicaciones, instalaciones, reparaciones, cableado externo o conectores no provistos ni autorizados por SAMSUNG que dañen este producto o que acarreen problemas en el servicio; voltaje de la línea eléctrica incorrecto, fluctuaciones y sobretensión; ajustes del cliente e incumplimiento de lo establecido en el manual de instrucciones, instrucciones de mantenimiento y ambientales que están cubiertas y recomendadas en el manual de instrucciones; traslado y reinstalación del producto; problemas causados por plagas. La presente garantía limitada no cubre problemas derivados de la corriente, el voltaje o el suministro eléctrico incorrectos, las bombillas de luz, los fusibles de la casa, el cableado de la casa, el costo del servicio técnico para recibir instrucciones o corregir errores en la instalación. SAMSUNG no garantiza el funcionamiento ininterrumpido o sin errores del producto.

SALVO LO ESTABLECIDO EN LA PRESENTE GARANTÍA, NO EXISTEN GARANTÍAS SOBRE EL PRESENTE PRODUCTO, YA SEAN EXPRESAS O TÁCITAS, Y SAMSUNG DESCONOCE TODAS LAS GARANTÍAS QUE INCLUYEN, AUNQUE NO EN CARÁCTER TAXATIVO, CUALQUIER GARANTÍA TÁCITA DE QUE EL PRODUCTO SE ENCUENTRA EN CONDICIONES APTAS PARA LA VENTA, DE DEFRAUDACIÓN DE DERECHOS O DE QUE EL PRODUCTO SE ADECUA A LOS FINES ESPECÍFICOS PARA LOS CUALES SE ADQUIERE.

Garantía (Estados Unidos)

NINGÚN AVAL O GARANTÍA OTORGADOS POR PERSONA, COMPAÑÍA O CORPORACIÓN ALGUNA CON RESPECTO AL PRESENTE PRODUCTO REVESTIRÁ CARÁCTER VINCULANTE PARA SAMSUNG. SAMSUNG NO SERÁ RESPONSABLE POR PÉRDIDA DE INGRESOS O LUCRO CESANTE, IMPOSIBILIDAD DE GENERAR AHORROS U OBTENER OTROS BENEFICIOS, O CUALQUIER DAÑO DERIVADO DE CIRCUNSTANCIAS ESPECIALES, DAÑO IMPREVISTO O DERIVADO CAUSADO POR EL USO, USO INCORRECTO, O INCAPACIDAD PARA USAR EL PRESENTE PRODUCTO, INDEPENDIEMENTE DE LA TEORÍA LEGAL EN QUE SE FUNDE EL RECLAMO Y AUN CUANDO SE LE HAYA NOTIFICADO A SAMSUNG DE LA POSIBILIDAD DE TALES DAÑOS.

NINGÚN RESARCIMIENTO DE NINGUNA ÍNDOLE CONTRA SAMSUNG SUPERARÁ EL MONTO DE COMPRA DEL PRODUCTO VENDIDO POR SAMSUNG Y CAUSANTE DEL PRESUNTO DAÑO. SIN LIMITAR LO PRECEDENTE, EL COMPRADOR ASUME TODO EL RIESGO Y LA RESPONSABILIDAD POR PÉRDIDA, DAÑO O LESIÓN AL COMPRADOR Y A LOS BIENES DEL COMPRADOR Y A TERCEROS Y A SUS BIENES DERIVADOS DEL USO, USO INCORRECTO O INCAPACIDAD PARA USAR EL PRESENTE PRODUCTO. LA PRESENTE GARANTÍA LIMITADA NO SE EXTENDERÁ A NINGUNA PERSONA DISTINTA DEL COMPRADOR ORIGINAL DEL PRESENTE PRODUCTO, ES INTRANSFERIBLE Y ESTABLECE SU EXCLUSIVA REPARACIÓN.

Algunos Estados no permiten limitaciones en cuanto al plazo de una garantía implícita, o la exclusión o limitación de daños imprevistos o derivados, por lo tanto las limitaciones o exclusiones antedichas pueden no aplicarse en su caso. Esta garantía le otorga derechos específicos, y además puede tener otros derechos que varían según el Estado en el que se encuentre.

Para recibir un servicio técnico de garantía, comuníquese con SAMSUNG a:

Samsung Electronics America, Inc.

85 Challenger Road

Ridgefield Park, NJ 07660

1-800-SAMSUNG (726-7864)

www.samsung.com/us/support

Las visitas de un Ingeniero de reparaciones para explicar funciones, el mantenimiento o la instalación no están cubiertas por la garantía.

Contacte con su agente de Samsung para que lo ayude con cualquiera de estos problemas.

Garantía (CANADÁ)

LAVADORA SAMSUNG

GARANTÍA LIMITADA PARA EL COMPRADOR ORIGINAL

El presente producto de la marca SAMSUNG, tal como lo provee y distribuye SAMSUNG ELECTRONICS CANADA, INC. (SAMSUNG) y lo entrega nuevo, en su embalaje de cartón original al comprador o consumidor original, está garantizado por SAMSUNG contra defectos de fabricación de los materiales y la mano de obra durante el período limitado de la garantía de:

Un (1) año para las piezas y la mano de obra. Diez (10) años años para las piezas del motor DD de la lavadora (Solo piezas)

La presente garantía limitada comienza en la fecha original de compra y es válida únicamente para productos comprados y usados en Canadá. Para recibir el servicio técnico de la garantía, el comprador debe comunicarse con SAMSUNG con el fin de que se determine el problema y los procedimientos del servicio. El servicio técnico de la garantía sólo puede ser prestado por un centro de servicio técnico autorizado de SAMSUNG. Se debe presentar la factura de compra original como prueba de compra a SAMSUNG o al servicio técnico autorizado de SAMSUNG. SAMSUNG prestará servicio técnico a domicilio durante el período de la garantía sin costo, sujeto a la disponibilidad dentro de Canadá. El servicio técnico a domicilio no está disponible en todas las áreas.

Para recibir el servicio técnico a domicilio, el producto no debe presentar obstrucciones y debe ser accesible para el agente del servicio técnico. Si el servicio técnico no está disponible, SAMSUNG puede optar por transportar el producto hasta y desde el servicio técnico autorizado.

Garantía (CANADÁ)

SAMSUNG reparará, reemplazará el producto u ofrecerá un reembolso a su criterio y sin cargo adicional, tal como se establece en la presente garantía, con piezas o productos nuevos o reacondicionados si se comprueba que es defectuoso durante el período limitado de la garantía especificado anteriormente. Todas las piezas y los productos reemplazados pasan a ser propiedad de SAMSUNG y deben ser devueltos a SAMSUNG. Las piezas y los productos reemplazados asumen la garantía original que resta, o noventa (90) días, el período que sea el más prolongado. La presente garantía limitada cubre defectos de fabricación de los materiales y la mano de obra encontrados durante el uso normal y doméstico de este producto y no será válida para lo siguiente: daños que ocurran durante el envío; entrega e instalación; aplicaciones y usos para los cuales el presente producto no fue destinado; números de serie o producto alterados; daño cosmético o acabado exterior; accidentes, abuso, descuido, incendio, inundación, caída de rayos, u otros casos fortuitos o de fuerza mayor; uso de productos, equipo, sistemas, utilidades, servicios, piezas, suministros, accesorios, aplicaciones, instalaciones, reparaciones, cableado externo o conectores no provistos ni autorizados por SAMSUNG que dañen este producto o que acarreen problemas en el servicio; voltaje de la línea eléctrica incorrecto, fluctuaciones y sobretensión; ajustes del cliente e incumplimiento de lo establecido en el manual de instrucciones, instrucciones de mantenimiento y ambientales que están cubiertas y recomendadas en el manual de instrucciones; traslado y reinstalación del producto; problemas causados por plagas. La presente garantía limitada no cubre problemas derivados de la corriente, el voltaje o el suministro eléctrico incorrectos, las bombillas de luz, los fusibles de la casa, el cableado de la casa, el costo del servicio técnico para recibir instrucciones o corregir errores en la instalación. SAMSUNG no garantiza el funcionamiento ininterrumpido o sin errores del producto.

SALVO LO ESTABLECIDO EN LA PRESENTE GARANTÍA, NO EXISTEN GARANTÍAS SOBRE EL PRESENTE PRODUCTO, YA SEAN EXPRESAS O TÁCITAS, Y SAMSUNG DESCONOCE TODAS LAS GARANTÍAS QUE INCLUYEN, AUNQUE NO EN CARÁCTER TAXATIVO, CUALQUIER GARANTÍA TÁCITA DE QUE EL PRODUCTO SE ENCUENTRA EN CONDICIONES APTAS PARA LA VENTA, DE DEFRAUDACIÓN DE DERECHOS O DE QUE EL PRODUCTO SE ADECUA A LOS FINES ESPECÍFICOS PARA LOS CUALES SE ADQUIERE.

NINGÚN AVAL O GARANTÍA OTORGADOS POR PERSONA, COMPAÑÍA O CORPORACIÓN ALGUNA CON RESPECTO AL PRESENTE PRODUCTO REVESTIRÁ CARÁCTER VINCULANTE PARA SAMSUNG. SAMSUNG NO SERÁ RESPONSABLE POR PÉRDIDA DE INGRESOS O LUCRO CESANTE, IMPOSIBILIDAD DE GENERAR AHORROS U OBTENER OTROS BENEFICIOS, O CUALQUIER DAÑO DERIVADO DE CIRCUNSTANCIAS ESPECIALES, DAÑO IMPREVISTO O DERIVADO CAUSADO POR EL USO, USO INCORRECTO, O INCAPACIDAD PARA USAR EL PRESENTE PRODUCTO, INDEPENDIEMENTE DE LA TEORÍA LEGAL EN QUE SE FUNDE EL RECLAMO Y AUN CUANDO SE LE HAYA NOTIFICADO A SAMSUNG DE LA POSIBILIDAD DE TALES DAÑOS.

NINGÚN RESARCIMIENTO DE NINGUNA ÍNDOLE CONTRA SAMSUNG SUPERARÁ EL MONTO DE COMPRA DEL PRODUCTO VENDIDO POR SAMSUNG Y CAUSANTE DEL PRESUNTO DAÑO. SIN LIMITAR LO PRECEDENTE, EL COMPRADOR ASUME TODO EL RIESGO Y LA RESPONSABILIDAD POR PÉRDIDA, DAÑO O LESIÓN AL COMPRADOR Y A LOS BIENES DEL COMPRADOR Y A TERCEROS Y A SUS BIENES DERIVADOS DEL USO, USO INCORRECTO O INCAPACIDAD PARA USAR EL PRESENTE PRODUCTO. LA PRESENTE GARANTÍA LIMITADA NO SE EXTENDERÁ A NINGUNA PERSONA DISTINTA DEL COMPRADOR ORIGINAL DEL PRESENTE PRODUCTO, ES INTRANSFERIBLE Y ESTABLECE SU EXCLUSIVA REPARACIÓN.

Algunas provincias no permiten limitaciones en cuanto al plazo de una garantía implícita, o la exclusión o limitación de daños imprevistos o derivados, por lo que las limitaciones o exclusiones antedichas pueden no aplicarse en su caso.

Esta garantía le otorga derechos específicos, y además puede tener otros derechos que varían según la provincia en la que se encuentre.

Para recibir un servicio técnico de garantía, comuníquese con SAMSUNG a:

Samsung Electronics Canada Inc.
2050 Derry Road West,
Mississauga, Ontario L5N 0B9 Canada.
1-800-SAMSUNG (726-7864)
www.samsung.com/ca/support (English)
www.samsung.com/ca_fr/support (French)
FAX : 1-866-436-4617

Las visitas de un Ingeniero de reparaciones para explicar funciones, el mantenimiento o la instalación no están cubiertas por la garantía.
Contacte con su agente de Samsung para que lo ayude con cualquiera de estos problemas.

Comentarios

Comentarios

SAMSUNG



Scan the QR code* or visit
www.samsung.com/spsn
to view our helpful
How-to Videos and Live Shows

*Requires reader to be installed on your smartphone

Scan this with your smartphone

¿TIENE PREGUNTAS O COMENTARIOS?

PAÍS	LLAME AL	O VISITE NUESTRA PÁGINA WEB
U.S.A	1-800-SAMSUNG(726-7864)	www.samsung.com/us/support
CANADA	1-800-SAMSUNG(726-7864)	www.samsung.com/ca/support (English) www.samsung.com/ca_fr/support (French)



DC68-03645A-00