

# ME11\*7510

SAMSUNG

## 1.1 cu. ft. Smart SLIM Over-the-Range Microwave with 400 CFM Ventilation, Wi-Fi & Voice Control



### Signature Features

#### Slim Design

- Open up space above your cooktop with the new, beautifully designed Smart SLIM Over-the-Range Microwave. This combination microwave and hood packs in powerful performance and technology you love in a slim, space-efficient size.

#### Samsung SmartThings

- Adjust settings with your voice or with your smartphone by using the SmartThings App.\* Using a voice assistant, like Samsung Bixby, Amazon Alexa, or Google Assistant, you can tell your microwave what you want it to do.

\*Available on Android & iOS devices. A Wi-Fi connection and a Samsung account are required. Bixby is Samsung's brand of artificial intelligence (AI), Amazon Alexa and all related logos are trademarks of Amazon.com, Inc. or its affiliates. Google is a trademark of Google LLC. This app also supports iOS 7 or later for iPhone models. SmartThings App available in App Store and Play Store.

#### 400 CFM Hood Ventilation with Hood Connectivity

- This hood's powerful 400 CFM ventilation system quickly removes steam, grease and odors that result from cooking.

### Available Colors



White Glass



Fingerprint Resistant  
Stainless Steel



Fingerprint Resistant  
Matte Black Steel



Wi-Fi and Voice Control



400 CFM Hood Ventilation

### Features

- Slim Design
- Wi-Fi and Voice Control
- 400 CFM Ventilation System
- Ceramic Enamel Interior
- SmartThings Cooking\*
- 1.1 cu. ft. Oven Capacity
- Glass-Touch Controls
- 1100 Watts of Cooking Power
- 10 Power Levels

- Auto Defrost/Power
- Auto Cook
- Recessed Handle
- Change Filter Reminder

### Convenience

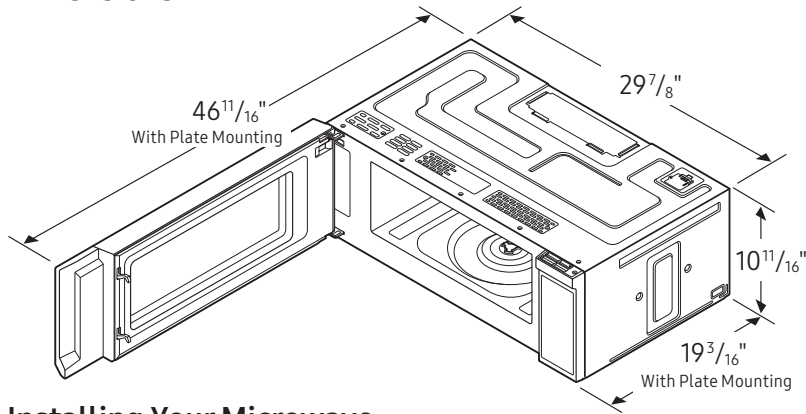
- LED Display
- Clock (12 hr/24 hr) with Daylight Saving Time Adjustment
- Kitchen Timer
- Weight Option
- End Signal
- Interior Light: LED
- Cooktop Lighting: Halogen
- Vent Fan Control: Boost/Hi/Mid/Lo/Off
- Child Safety Lock
- Sound On/Off
- Eco Mode (Reduces Standby Power)
- Wide Grease Filters (2)

# ME11\*7510

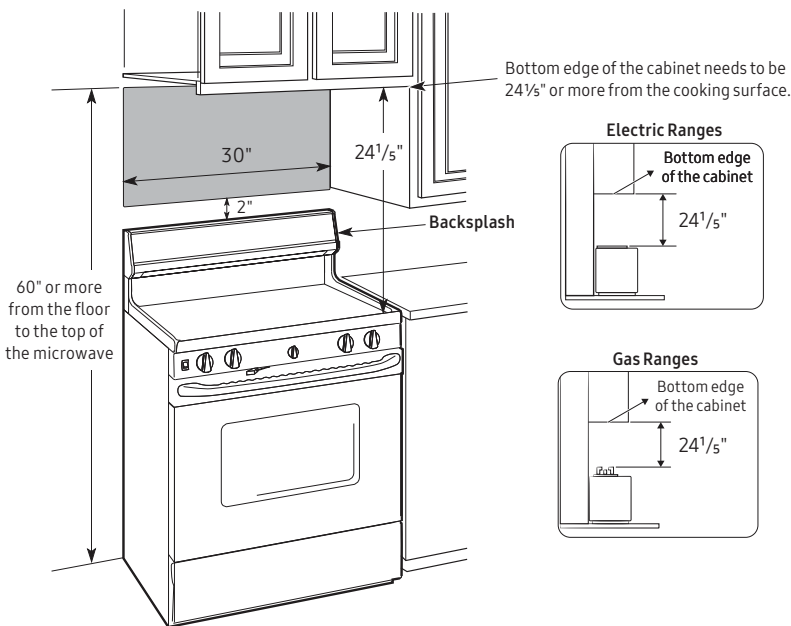
SAMSUNG

## 1.1 cu. ft. Smart SLIM Over-the-Range Microwave with 400 CFM Ventilation, Wi-Fi & Voice Control

### Dimensions



### Installing Your Microwave



• This microwave oven is designed for adaptation to the following three types of ventilation:

- A. Outside Top Exhaust (Vertical Duct)
- B. Recirculating (Non-vented Ductless)
- C. Outside Back Exhaust (Horizontal Duct)

• If you are going to vent your microwave oven to the outside, see the Hood Exhaust Section for exhaust duct preparation.

• The space between the cabinets must be 30" wide and free of obstructions.

• This microwave oven is for installation over ranges up to 36" wide.

• The microwave must be level. Use a level to make sure the cabinet bottom is level. If the cabinets have a front overhang only, with no back or side frame, install the mounting plate down the same distance as the front overhang depth. This will keep the microwave level.

FOR EASIER INSTALLATION AND PERSONAL SAFETY, WE RECOMMEND THAT TWO PEOPLE INSTALL THIS MICROWAVE OVEN. IMPORTANT: Do not grip or use handle during installation.

NOTE: If your cabinet is metal, use the nylon grommet around the power cord hole to prevent cutting of the cord.

NOTE: We recommend using filler blocks if the cabinet front hangs below the cabinet bottom shelf.

IMPORTANT: If filler blocks are not used, case damage may occur from overtightening screws.

NOTE: When mounting the microwave oven, thread power cord through hole in bottom of top cabinet. Do not pinch cord or lift oven by pulling cord.

### Specifications

- Oven Cavity: 1.1 cu. ft.
- Power Output: 1100W
- Power Consumption: 1500 W/14.5 Amps
- Power Source: 120 V/60 Hz
- Control Method: Glass-Touch
- Bespoke Finish Display: White LED
- Standard Finish Display: Ice Blue LED
- Cooking Control: 10 Power Levels, Including Defrost
- Cooking Timer: Digital, up to 99 Minutes, 99 Seconds
- Microwave Distribution System: Turntable
- Glass Turntable Diameter: 11<sup>1</sup>/<sub>2</sub>"
- Vent Fan: 4-Speed/400 CFM
- Vent Fan Control: Boost/Hi/Mid/Lo/Off
- Interior Light: LED
- Cooktop Lighting: Halogen

### Warranty

One (1) Year Parts and Labor

Ten (10) Years Parts on Magnetron

### Product Dimensions & Weight (WxHxD)

Cavity Dimensions: 18<sup>1</sup>/<sub>2</sub>" x 6<sup>15</sup>/<sub>16</sub>" x 14<sup>15</sup>/<sub>16</sub>"

Outside Net Dimensions: 29<sup>7</sup>/<sub>8</sub>" x 10<sup>11</sup>/<sub>16</sub>" x 19<sup>3</sup>/<sub>16</sub>"

Weight: 56.7 lbs

### Shipping Dimensions & Weight (WxHxD)

Dimensions: 33<sup>1</sup>/<sub>4</sub>" x 15<sup>7</sup>/<sub>16</sub>" x 22<sup>1</sup>/<sub>8</sub>"

Weight: 63.1 lbs

### Bespoke Finish

White Glass

### Model #

ME11CB751012

### UPC Code

887276760582

### Standard Finishes

Fingerprint Resistant

Stainless Steel

ME11A7510DS

887276551449

Fingerprint Resistant

Matte Black Steel

ME11F7510MT

887276948164