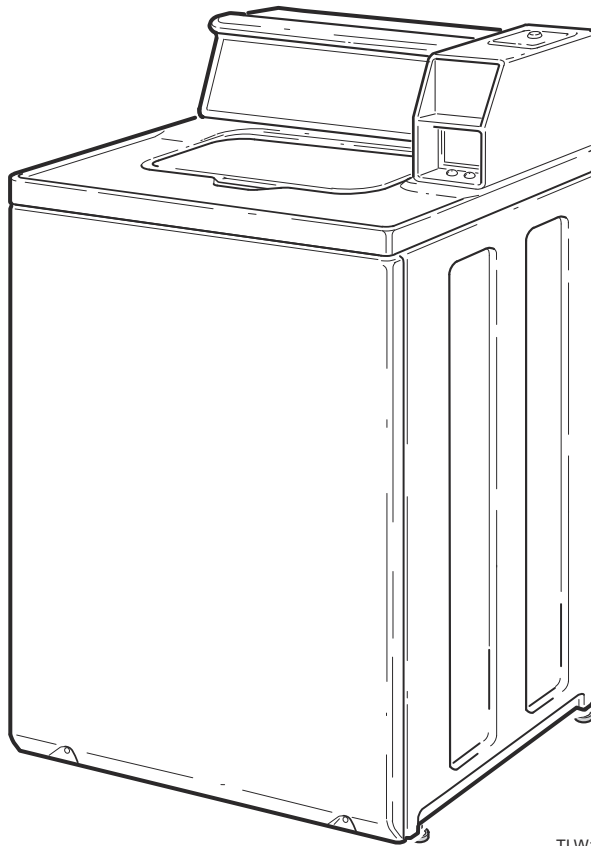


Commercial Topload Washers

Metered and Nonmetered
Refer to Page 3 for Model Numbers



TLW13C_204554

Table of Contents

Title	Page
Parts Ordering Information.....	2
Serial Plate Location	2
Model Identification	3
Coin Slide Extension, Meter Case and Control.....	4
Meter Case	6
Non-Electronic Coin Drop	8
Electronic Coin Drop	10
Control Panel, Control Hood and Controls (Drawing 1 of 9)	12
Control Panel, Control Hood and Controls (Drawing 2 of 9)	14
Control Panel, Control Hood and Controls (Drawing 3 of 9)	16
Control Panel, Control Hood and Controls (Drawing 4 of 9)	18
Control Panel, Control Hood and Controls (Drawing 5 of 9)	20
Control Panel, Control Hood and Controls (Drawing 6 of 9)	22
Control Panel, Control Hood and Controls (Drawing 7 of 9)	24
Control Panel, Control Hood and Controls (Drawing 8 of 9)	26
Control Panel, Control Hood and Controls (Drawing 9 of 9)	28
Lid and Cabinet Top (Drawing 1 of 2)	30
Lid and Cabinet Top (Drawing 2 of 2)	32
Lid, Lid Lock and Cabinet Top	34
Lid Switch.....	36
Mixing Valve (Drawing 1 of 2)	38
Mixing Valve (Drawing 2 of 2)	40
Mixing Valve-to-Inlet Hose	42
Mixing Valve Bracket	44
Fill Hose	46
Motor, Belt, Pump and Idler Assembly (Drawing 1 of 2)	48
Motor, Belt, Pump and Idler Assembly (Drawing 2 of 2)	50
Idler Lever Kits	52
Agitator, Drive Bell, Hub and Lip Seal Kit and Washtub	54
Outer Tub, Cover, Bearing and Seal Housing and Counterweight	56
Transmission Assembly	58
Drain Hoses and Siphon Break Kit	60
Weldment and Bearing Assembly, Brake and Pulley.....	62
Front Panel, Base Assembly and Cabinet Kit	64
Lead-In Cord	66
Shipping Materials and Special Tools.....	68
Special Tools	70
Output Board, Wire Harnesses and Wires (Drawing 1 of 3)	72
Output Board, Wire Harnesses and Wires (Drawing 2 of 3)	74
Output Board, Wire Harnesses and Wires (Drawing 3 of 3)	76
Parts Index.....	79

© Copyright 2020, Alliance Laundry Systems LLC

All rights reserved. No part of the contents of this book may be reproduced or transmitted in any form or by any means without the expressed written consent of the publisher.

Parts Ordering Information

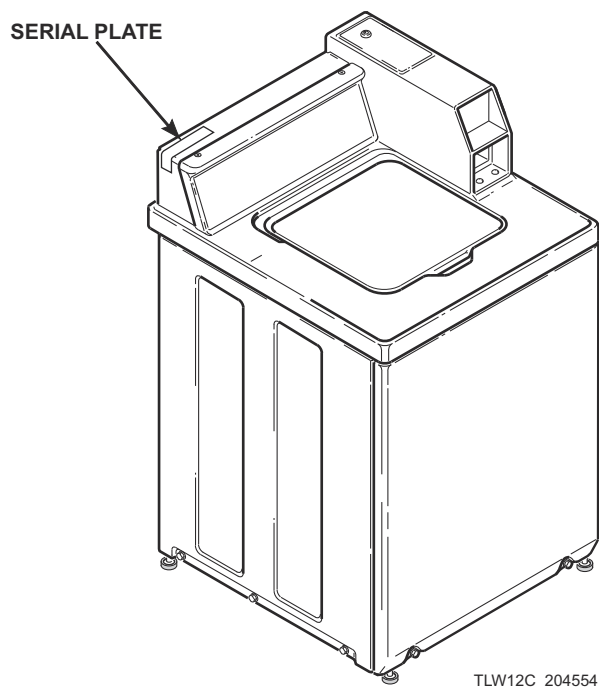
If literature or replacement parts are required, contact the source from whom the machine was purchased or contact Alliance Laundry Systems at (920) 748-3950 for the name and address of the nearest authorized parts distributor.

For technical assistance, call the number listed below:

(920) 748-3121 Ripon, Wisconsin

Serial Plate Location

When calling or writing about your product, be sure to mention model and serial numbers. Model and serial numbers are located on serial plate(s) as shown.



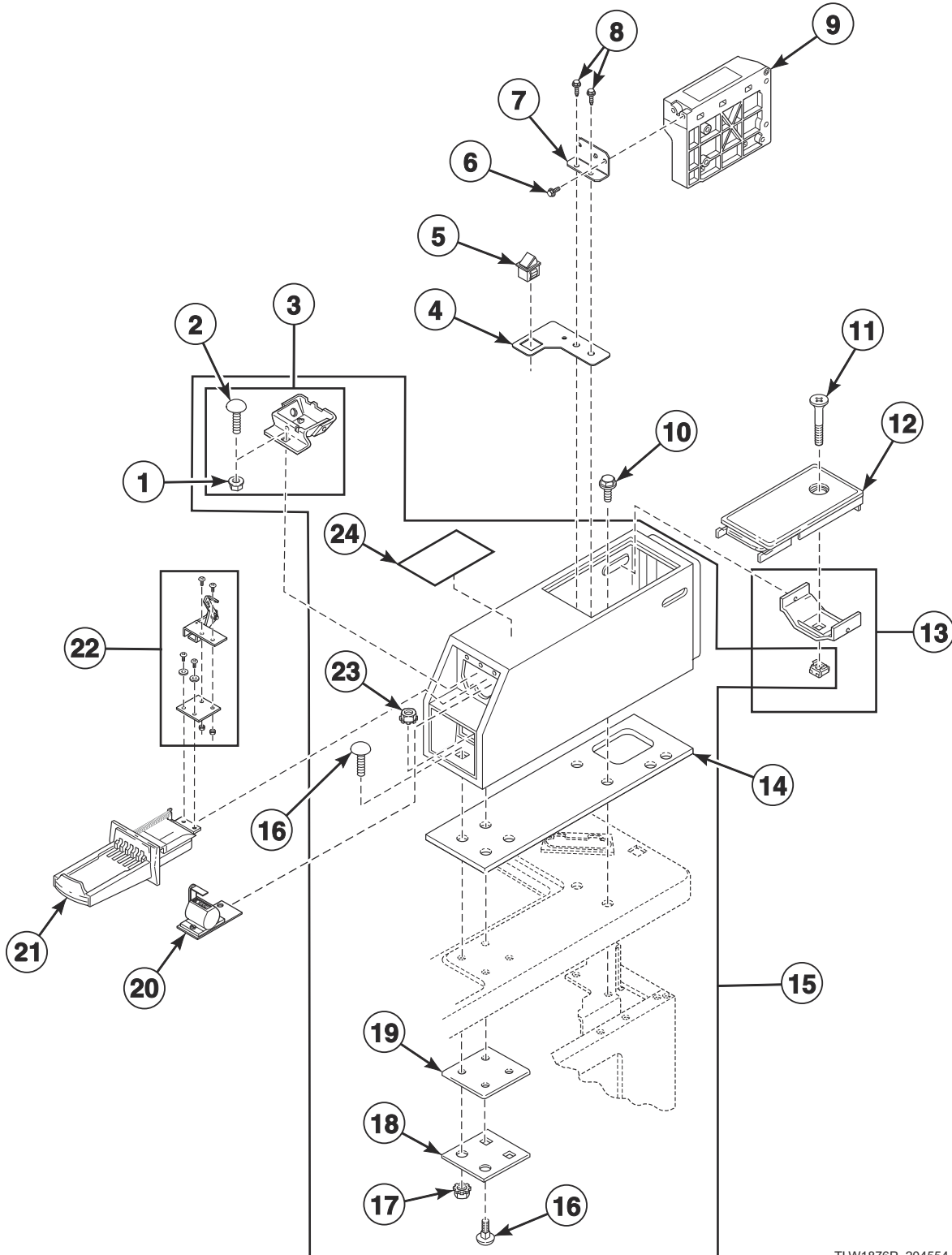
Model Identification

Information in this manual is applicable to these washer models:

BWNBX2PP303AW01	KWNBX2SP115TW01	SWNBC2SP115TW02
BWNBX2SP303AW01	KWNMN2PP115TW01	SWNBX2SP113FW01
BWNMN2PP303AW01	KWNMN2PP303BW33	SWNBX2SP113JW01
BWNMN2SP303AW01	KWNMN2PP303NW16	SWNBX2SP115TQ02
HWNBC2PP115TQ01	KWNMN2SP115TW01	SWNBX2SP115TW02
HWNBC2PP115TW01	KWNMN2SP303BW33	SWNBX2SP123DW01
HWNBC2SP115TW01	KWNMN2SP303NW16	SWNBX2SP303AW01
HWNBD2SP115CW01	KWNSX2PP115TW01	SWNBX2SP303LW01
HWNBE2SP115CW01	KWNSX2PP303EW01	SWNBX2SP303NQ22
HWNBX2SP113FW01	KWNSX2PP303NW16	SWNBX2SP303NW22
HWNBX2SP115CW01	KWNSX2SP115TW01	SWNBX2SP543DW01
HWNBX2SP123DW01	KWNSX2SP303EW01	SWNBY2SP115TW01
HWNBX2SP303NW22	KWNSX2SP303NW16	SWNMN2SP115CW01
HWNBX2SP543DW01	NWNBX2SP303LW01	SWNMN2SP115TW01
HWNBY2PP115TW01	NWNBX2SP303NW22	SWNMN2SP303AW01
HWNBY2SP115CW01	NWNBX2SP543NW23	SWNMN2SP303NW22
HWNBY2SP115TW01	NWNMN2SP303NW22	SWNMN2SP303SW01
HWNKC2SP115TW01	NWNMN2SP303WW01	SWNMN2SP303WW01
HWNKD2SP115CW01	NWNMN2SP543NW22	SWNSX2PP113FW01
HWNKE2SP115CW01	NWNSX2SP303NW22	SWNSX2PP303AW01
HWNKX2SP115CW01	PWNBC2PP115TG02	SWNSX2SP113FW01
HWNKY2SP115CW01	PWNBC2PP115TW02	SWNSX2SP115CW02
HWNMN2PP115TW01	PWNBE2PP115CG02	SWNSX2SP115TQ02
HWNMN2SP115CW01	PWNBE2PP115CW02	SWNSX2SP115TW02
HWNMN2SP115TW01	PWNBX2PP115CG02	SWNSX2SP303AW01
HWNSX2PP115TQ01	PWNBX2PP115CW02	SWNSX2SP303BW01
HWNSX2PP115TW01	PWNBX2PP115TG02	SWNSX2SP303EW01
HWNSX2SP115CW01	PWNBX2PP115TW02	SWNSX2SP303NW22
HWNSX2SP115TW01	PWNBX2PP303AG02	SWNSX2SP303SQ01
HWNSX2SP303UW01	PWNBX2SP303AG01	SWNSX2SP303SW01
HWNZC2SP115TW01	PWNSX2PP115CG02	SWNSX2SP303UW01
	PWNSX2PP115CW02	SWNSX2SP303WW01
	PWNSX2PP115TG02	SWNSX2SP543NW22
	PWNSX2PP115TW02	TWNBX2SP303NW22
		UWNMN2SP115CW01

Coin Slide Extension, Meter Case and Control

Models HWNSX2PP115TQ01, HWNSX2PP115TW01, HWNSX2SP115CW01, HWNSX2SP115TW01, HWNSX2SP303UW01, KWNSX2PP115TW01, KWNSX2PP303EW01, KWNSX2PP303NW16, KWNSX2SP115TW01, KWNSX2SP303EW01, KWNSX2SP303NW16, NWNSX2SP303NW22, PWNSX2PP115CG02, PWNSX2PP115CW02, PWNSX2PP115TG02, PWNSX2PP115TW02, SWNSX2PP113FW01, SWNSX2PP303AW01, SWNSX2SP113FW01, SWNSX2SP115CW02, SWNSX2SP115TQ02, SWNSX2SP115TW02, SWNSX2SP303AW01, SWNSX2SP303BW01, SWNSX2SP303EW01, SWNSX2SP303NW22, SWNSX2SP303SQ01, SWNSX2SP303SW01, SWNSX2SP303UW01, SWNSX2SP303WW01 and SWNSX2SP543NW22



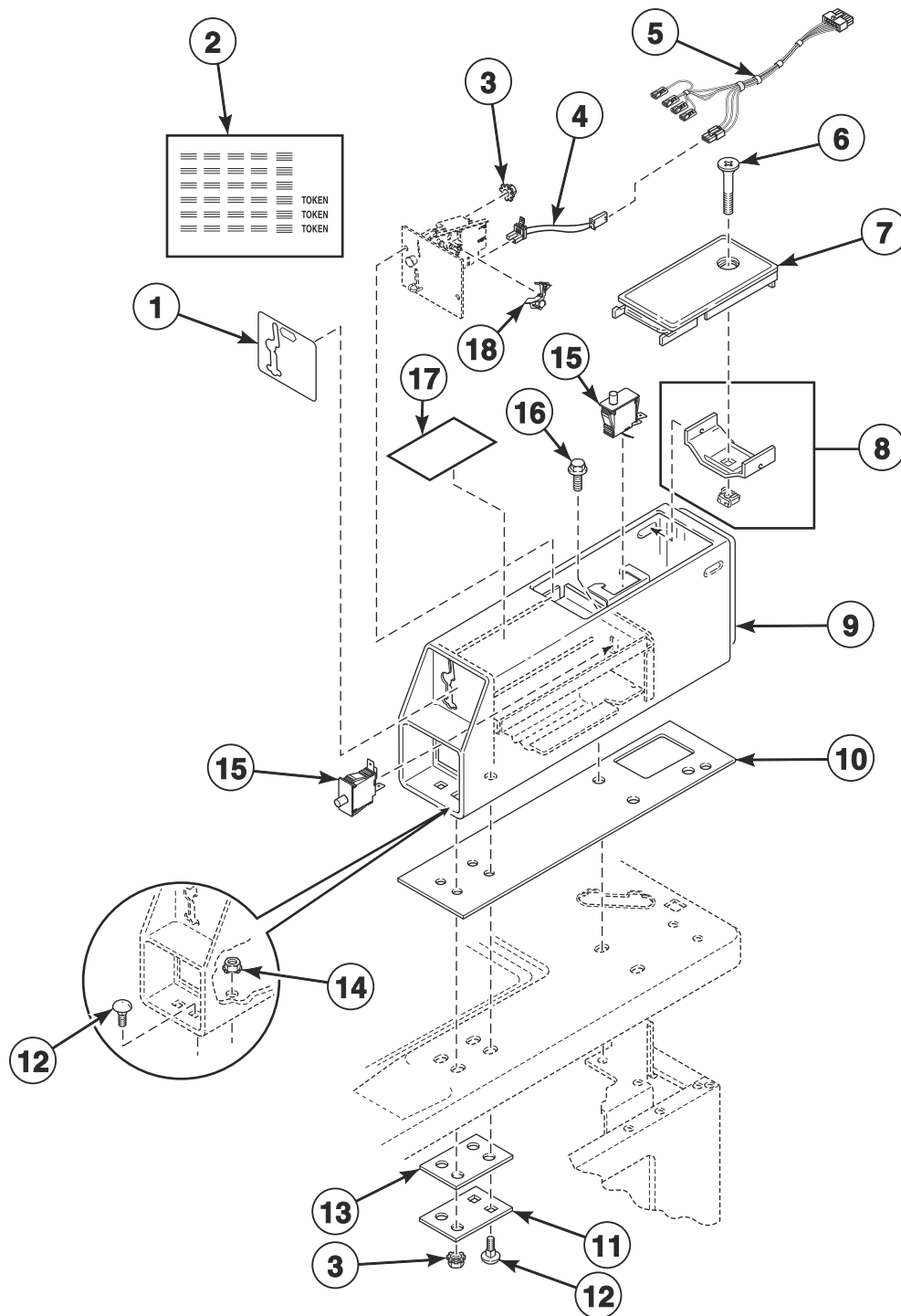
TLW1876P_204554

Coin Slide Extension, Meter Case and Control

REF	PART NO.	DESCRIPTION	COMMENTS
1	29796	Nut	
2	29651	Bolt	
3	523P3	Coin Funnel Kit	
4	803662	Bracket	
5	70529301	Switch	
6	D501524	Screw	
7	201581	Chassis Mounting Bracket	
8	D503688	Screw	
9	202792P	Control Assembly	
10	36048	Screw	
11	D503673	Screw	
12	39874QP	Service Door Assembly	Bisque; Models HWNSX2PP115TQ01, SWNSX2SP115TQ02 and SWNSX2SP303SQ01
	39874DG	Service Door Assembly	Gray; Models PWNSX2PP115CG02 and PWNSX2PP115TG02
	39874WP	Service Door Assembly	White; All other models
13	204616	Meter Case Locking Bracket Kit	
14	26354	Meter Case Gasket	
15	803575WP	Meter Case Assembly Kit	White; High capacity; Includes items 3, 4 and 11-13
	803575DG	Meter Case Assembly Kit	Gray; High capacity; Includes items 3 and 4
	803575Q	Meter Case Assembly	Bisque; High capacity; Includes items 3 and 4
	803578P	Coin Box Extension Kit	Use with 803575W, 803575Q or 803575DG Meter Case Assembly to extend shorter 7-inch coin boxes
	201010QP	Meter Case Kit	Bisque; Standard capacity; Includes items 3, 13, 14, 16-19 and 23
	807398W	Meter Case Kit	White; Standard capacity; Includes switch, harness, items 3, 13, 14, 16-19 and 23
16	203798	Bolt	
17	29786	Nut	
18	35525	Meter Case Lockdown Bracket	
19	35526	Meter Case Bracket Gasket	
20	201280P	Mechanical Counter Kit Assembly	
21	CK001	Coin Slide Kit	U.S.A.; Vert 5 Greenwald
	CK009	Coin Slide Kit	STD-118-1 Token
	CK010P	Coin Slide Kit	STD-118-5 Token
	CK011	Coin Slide Kit	STD-118-10 Token
	CK014	Coin Slide Kit	U.S.A.; Vert 8 ESD; Includes standard capacity coin box
	CK124	Coin Slide Kit	U.S.A.; Vert 8 ESD; Includes high capacity coin box
	CK017	Coin Slide Kit	Chilly Willy Token
	CK027	Slide	Tokette
22	200913	Coin Slide Extension Kit	Includes spring and items 4 and 5
	804794	Spring	
23	802337	Nut	
24	203152	Operation Instruction Label	

Meter Case

Coin Drop Models



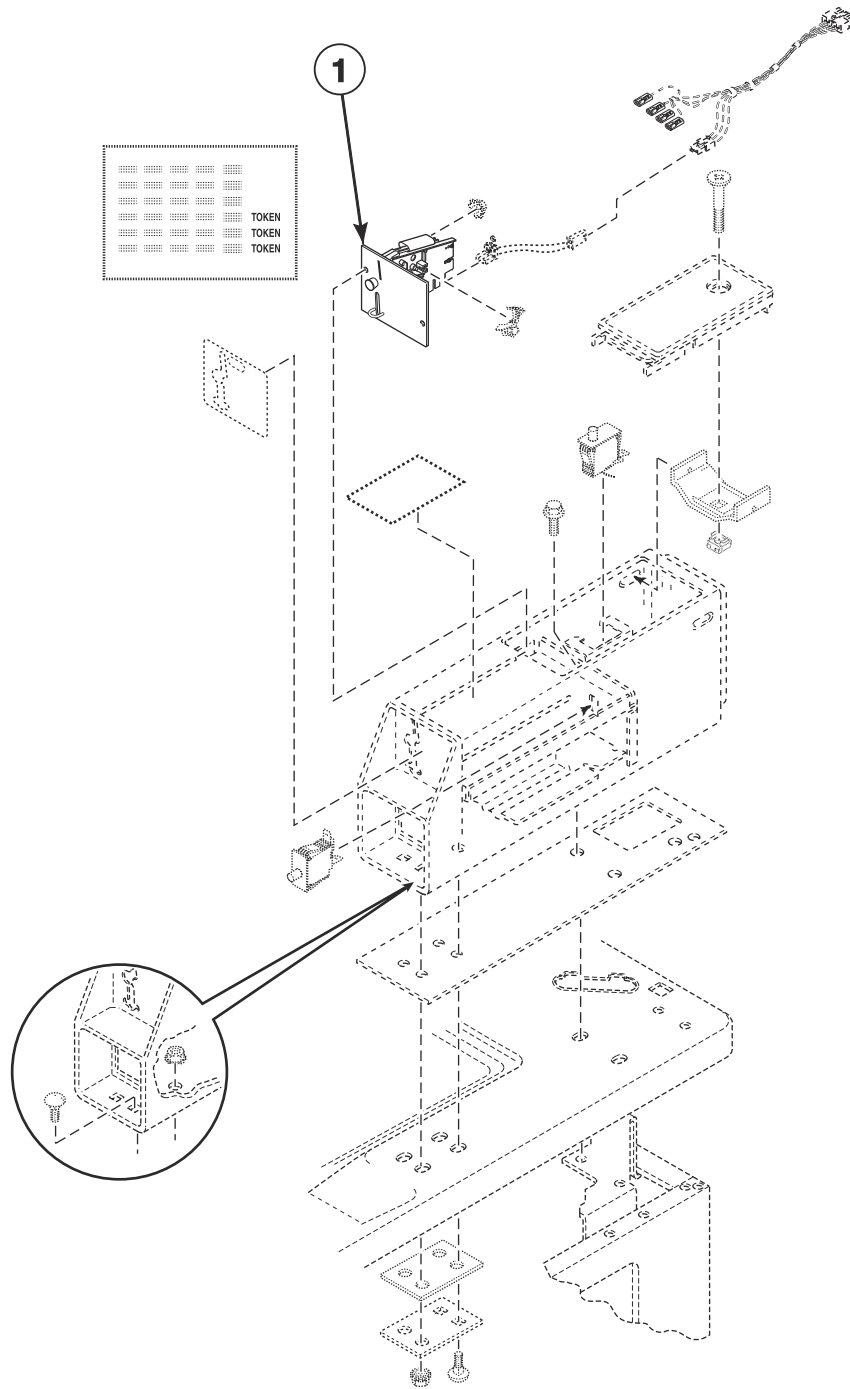
TLW1741P_204554

Meter Case

REF	PART NO.	DESCRIPTION	COMMENTS
1	38717	Single Overlay	\$.25
	38676	Overlay Kit	Dual; Includes item 2
	39073	Dual Overlay	\$.25 and \$1.00
2	38725	Coin Identification Paper	
3	29786	Nut	
4	200674P	Opto Coupler	
5	202870	Single Coin Harness Assembly	
	806827	Dual Coin Harness Assembly	Models HWNKD2SP115CW01, HWNKE2SP115CW01 and HWNKX2SP115CW01
	202871	Dual Coin Harness Assembly	All other models
6	D503673	Screw	
7	39874WP	Service Door Assembly	White
	39874QP	Service Door Assembly	Bisque
	39874DG	Service Door Assembly	Dark gray
8	204616	Meter Case Locking Bracket Kit	
9	802505W	Meter Case Assembly	Model HWNBE2SP115CW01; Standard capacity
	807406W	Meter Case Assembly	Model HWNBE2SP115CW01; High capacity
	202877W	Meter Case Assembly	White; All other models; Standard capacity
	202877Q	Meter Case Assembly	Bisque; All other models; Standard capacity
	807401W	Meter Case Assembly Kit	White; All other models; High capacity; Includes switch and harness
	807401Q	Meter Case Assembly	Bisque; All other models; High capacity
	807401DG	Meter Case Assembly	Gray; All other models; High capacity
	803578P	Coin Box Extension Kit	Use with high capacity meter cases to extend shorter 7 inch coin boxes
10	26354	Meter Case Gasket	
11	35525	Meter Case Lockdown Bracket	
12	203798	Bolt	
13	35526	Meter Case Bracket Gasket	
14	802337	Nut	
15	D512973	Switch	
16	36048	Screw	
17	203152	Operation Instruction Label	
18	201595P	Wire Guard	Anti-stringing security device

Non-Electronic Coin Drop

Coin Drop Models



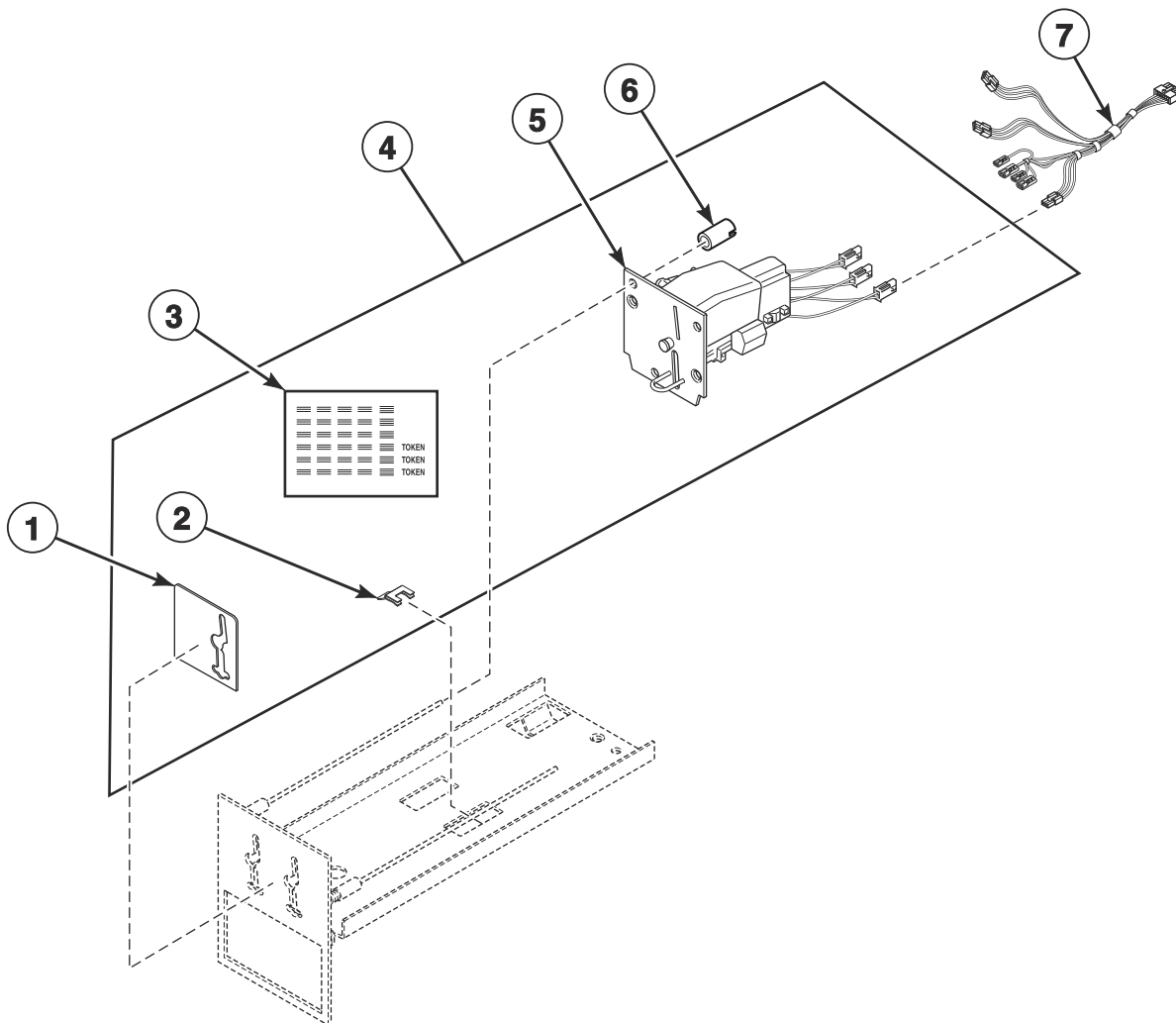
TLW1741PA_204554

Non-Electronic Coin Drop

REF	PART NO.	DESCRIPTION	COMMENTS
1	70441601P	Coin Drop	Single; U.S.A.; \$.25
	200731	Coin Drop	Single; U.S.A.; \$1.00
	70441603	Coin Drop	Dual; U.S.A.; \$.25 and \$1.00
	38467	Coin Drop Assembly	Dual; Australia; \$0.20 and \$1.00
	70447301	Coin Drop Assembly	Dual; Australia; \$1.00 and \$2.00
	38464P	Coin Drop Assembly	Single; Canada; .25
	70441602	Coin Drop Assembly	Dual; Canada; .25 and 1.00
	38472	Coin Drop Assembly	Dual; England; 20 pence and 1 pound
	38519	Coin Drop Assembly	Dual; Japan; 100 yen and 500 yen
	38521	Coin Drop Assembly	Dual; Korea; 100 won and 500 won
	CK114	Coin Drop Assembly	Single; Singapore; Old \$1.00
	CK123	Coin Drop Kit	Single; Singapore; New \$1.00
	70482401	Coin Drop Assembly	Dual; New Zealand ; \$1.00 and \$2.00
	38462P	Coin Drop Assembly	Single; Token; STD 118-1
	38463	Coin Drop Assembly	Single; Token; STD 118-5
	38963P	Coin Drop	Single; Token STD 118-16
	553192	Coin Drop Assembly	Dual; Danish Crown
	39157	Coin Drop Assembly	Dual; Israel; 1 and 5 Shekel
	38475	Coin Drop Assembly	Single; Japan; 100 yen
	210195	Coin Drop Assembly	Dual; 0.20 and 1.00 Euro
	210196	Coin Drop Assembly	Dual; 0.50 and 1.00 Euro
	70281102	Coin Drop Assembly	Dual; Taiwan; 10 and 50 NT
	70506901	Coin Drop Assembly	Single; Singapore; \$1.00 NEW
	39748	Coin Drop	Single; Jeton 08MS
	201141	Coin Drop Assembly	Single; Token; Jeton wh121
	CK055	Coin Drop Kit	Token STD 118-1
	CK056	Coin Drop Kit	Token STD 118-5
	CK057	Coin Drop Kit	Single; Canada; \$0.25
	CK058	Coin Drop Kit	Dual; Canada; \$0.25 and \$1.00
	CK077	Coin Drop Kit	Single; Taiwan; 10 NT
	CK060	Coin Drop Kit	Dual; Australia; \$0.20 and \$1.00
	CK071	Coin Drop Kit	Dual; Japan; 100 yen and 500 yen
	CK078	Coin Drop Kit	Single; U.S.A.; \$0.25
	CK085	Coin Drop Kit	Single; Token STD 118-16
	CK086	Coin Drop Kit	Dual; Israel; 1 and 5 Shekel
	CK089	Coin Drop Kit	Single; Japan; 100 yen
	CK090	Coin Drop Kit	Single; U.S.A.; \$1.00
	CK091	Coin Drop Kit	Dual; 0.20 and 1.00 Euro
	CK097	Coin Drop Kit	Single; Token; Jeton 08MS
	CK098	Coin Drop Kit	Single; Token; Jeton wh121
	CK107	Coin Drop Kit	Dual; Taiwan; 10 and 50 NT
	CK111	Coin Drop Kit	Dual; Australia; \$1.00 and \$2.00
	CK122	Coin Drop Kit	Dual; New Zealand; \$1.00 and \$2.00

Electronic Coin Drop

Coin Drop Models



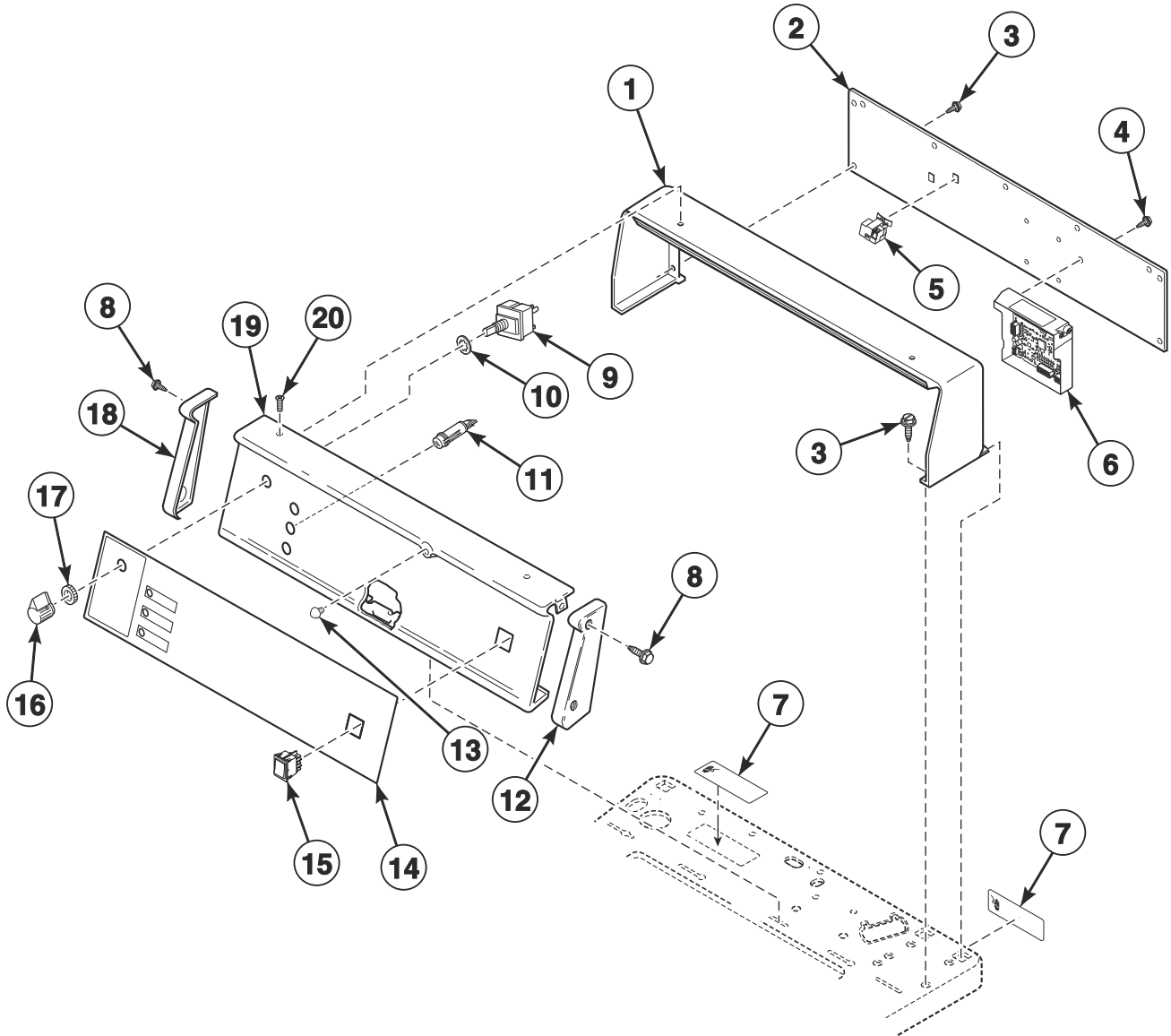
FLW1769P_204554

Electronic Coin Drop

REF	PART NO.	DESCRIPTION	COMMENTS
1	201091	Overlay	
2	201572	Clip	
3	38725	Coin Identification Paper	
4	CK115	Electronic Coin Drop Kit	Includes items 1-3 and 5-7; U.S. and Canada coins; Models HWNBC2PP115TQ01, HWNBC2PP115TW01, HWNBD2SP115CW01, HWNKC2SP115TW01, HWNKD2SP115CW01, HWNKE2SP115CW01, HWNKX2SP115CW01, HWNZC2SP115TW01, PWNBC2PP115TG02, PWNBC2PP115TW02 and SWNBC2SP115TW02 must also order item 7
	CK099	Electronic Coin Drop Kit	Includes items 1-3 and 5-7; Australia, New Zealand, Hong Kong and South Korea coins
	CK100	Electronic Coin Drop Kit	Includes items 1-3 and 5-7; Euro and Great Britain coins
	CK101	Electronic Coin Drop Kit	Includes items 1-3 and 5-7; Euro, Denmark and Norway coins
	CK103	Electronic Coin Drop Kit	Includes items 1-3 and 5-7; Euro, Lithuania and Latvia coins
	CK116	Electronic Coin Drop Kit	Includes items 1-3 and 5-7; Malaysia (old and new) and China coins
	CK108	Electronic Coin Drop Kit	Includes items 1-3 and 5-7; South African 1, 2, 5 rand coins
	CK109	Electronic Coin Drop Kit	Includes items 1-3 and 5-7; Euro coins
	CK110	Electronic Coin Drop Kit	Includes items 1-3 and 5-7; Mexico, Ecuador and United States coins
	CK113	Electronic Coin Drop Kit	Includes items 1-3 and 5-7; Japan and Taiwan coins
	CK120	Electronic Coin Drop Kit	Includes items 1-3 and 5-7; Chile coins
	CK121	Electronic Coin Drop Kit	Includes items 1-3 and 5-7; Singapore coins
	CK117	Electronic Coin Drop Kit	Includes items 1-3 and 5-7; Russian coins
	CK118	Electronic Coin Drop Kit	Includes items 1-3 and 5-7; Philippine coins
	CK119	Electronic Coin Drop Kit	Includes items 1-3 and 5-7; Thailand coins
5	70513302	Electronic Coin Drop Assembly	Euro and Great Britain coins
	70294122	Electronic Coin Drop Assembly	Great Britain coins
	70294104	Electronic Coin Drop Assembly	Euro, Denmark and Norway coins
	70294107	Electronic Coin Drop Assembly	Euro, Lithuania and Latvia coins
	70294117	Electronic Coin Drop Assembly	Russia coins
	70294110	Electronic Coin Drop Assembly	South African 1, 2, 5 rand coins
	70294111	Electronic Coin Drop Assembly	Euro coins
	70294106	Electronic Coin Drop Assembly	Mexico, Ecuador and United States coins
	70294120	Electronic Coin Drop Assembly	Chile coins
	70294121	Electronic Coin Drop Assembly	Singapore coins
	70294103P	Electronic Coin Drop Assembly	Euro and Great Britain coins
	70513311	Electronic Coin Drop Assembly	Malaysia (old and new) and China coins
	70294119	Electronic Coin Drop Assembly	Thailand coins
6	201216	Nut	
7	806827	Dual Coin Harness Assembly	Models HWNKD2SP115CW01, HWNKE2SP115CW01 and HWNKX2SP115CW01
	202871	Dual Coin Harness Assembly	All other models

Control Panel, Control Hood and Controls (Drawing 1 of 9)

Models HWNMN2PP115TW01, HWNMN2SP115CW01, HWNMN2SP115TW01, KWNMN2PP115TW01, KWNMN2PP303BW33, KWNMN2PP303NW16, KWNMN2SP115TW01, KWNMN2SP303BW33, KWNMN2SP303NW16, NWNMN2SP303NW22, NWNMN2SP543NW22, SWNMN2SP115CW01, SWNMN2SP115TW01, SWNMN2SP303NW22 and UWNMN2SP115CW01



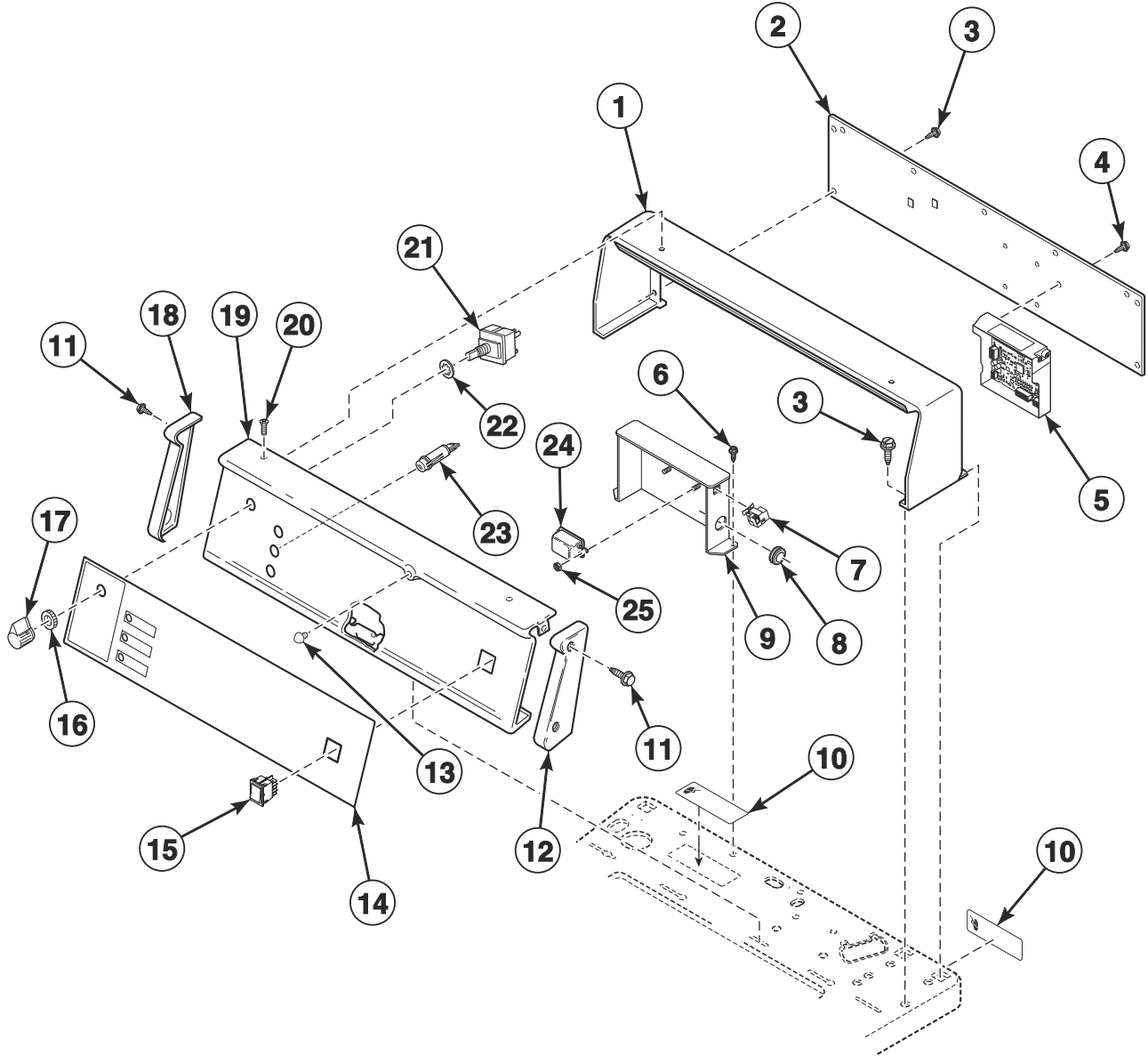
TLW1829P_204554

Control Panel, Control Hood and Controls (Drawing 1 of 9)

REF	PART NO.	DESCRIPTION	COMMENTS
1	210142W	Control Hood	
2	201732	Rear Panel	Through Serial No. 1806000001
	203818	Rear Panel	Starting Serial No. 1806000001
3	D501086	Screw	
4	804608	Screw	
5	203843	Pressure Sensor	Mounted here through Serial No. 1806000001; Mounted to mixing valve bracket starting serial No. 1806000001
6	202792P	Control Assembly	
7	D505281	Disconnect Power Warning Label	
8	23222	Screw	
9	201686	Cycle Selector Switch	
10	91176	Washer	
11	801431	Light	
12	210108W	End Cap	Right
13	202469	Control Panel Bumper	
	M400795	Bumper	Extra thick
14	203592	Control Overlay	Models HWNMN2PP115TW01, HWNMN2SP115CW01 and HWNMN2SP115TW01
	203595	Control Overlay	Models KWNMN2PP115TW01, KWNMN2PP303BW33, KWNMN2PP303NW16, KWNMN2SP115TW01 and KWNMN2SP303NW16
	204617	Control Overlay	Model KWNMN2SP303BW33
	203500	Control Overlay	Models NWNMN2SP303NW22 and NWNMN2SP543NW22
	203594	Control Overlay	Model UWNMN2SP115CW01
	203494	Control Overlay	All other models
15	70455101	Rocker Switch	
16	39897	Switch Knob	
17	24205	Nut	
18	210109W	End Cap	Left
19	201742W	Control Panel Assembly	
20	52864	Screw	

Control Panel, Control Hood and Controls (Drawing 2 of 9)

Models BWNMN2PP303AW01, BWNMN2SP303AW01, NWNMN2SP303WW01, SWNMN2SP303AW01, SWNMN2SP303SW01 and SWNMN2SP303WW01



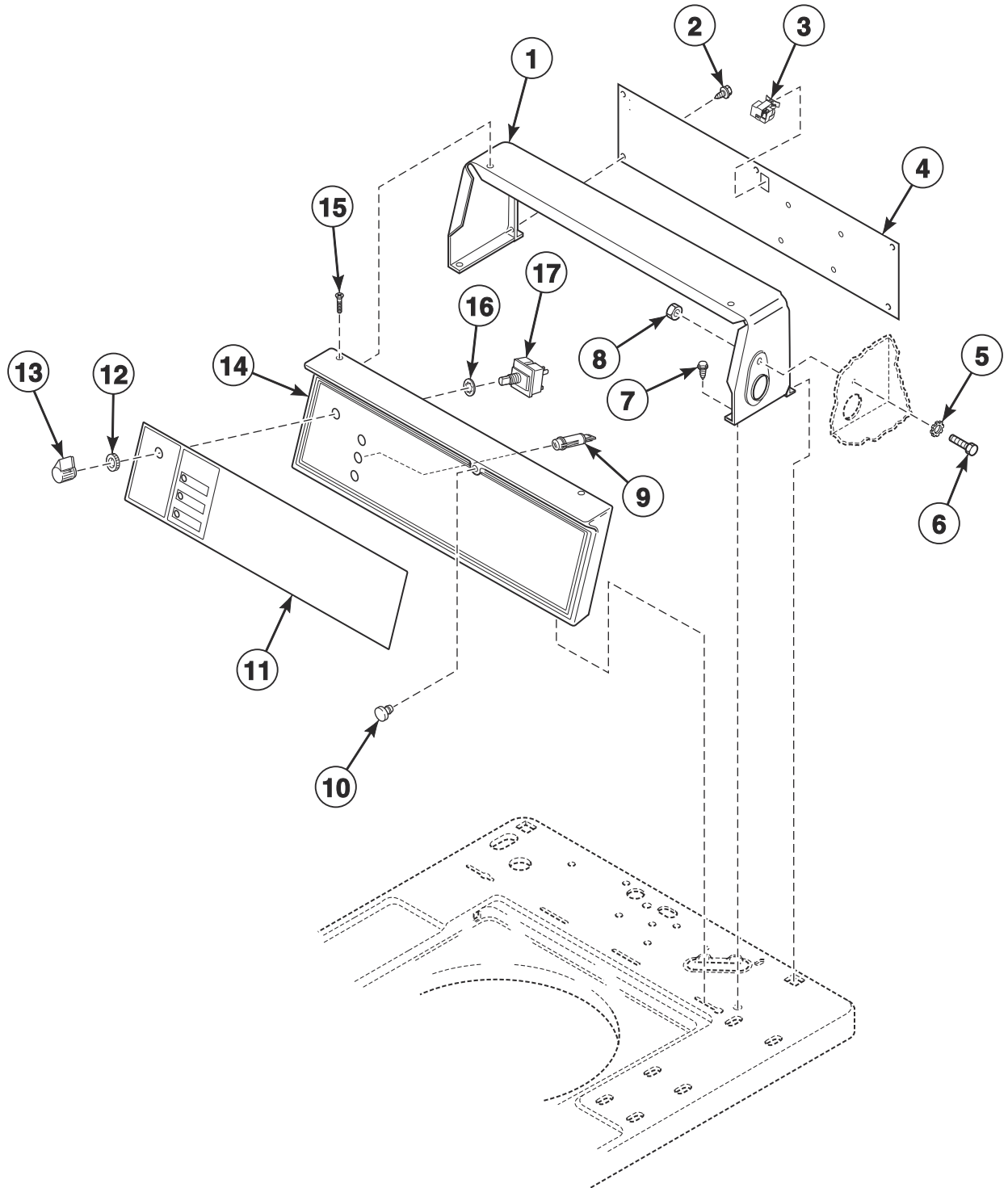
TLW1839P_204554

Control Panel, Control Hood and Controls (Drawing 2 of 9)

REF	PART NO.	DESCRIPTION	COMMENTS
1	210142W	Control Hood	
2	203818	Rear Panel	
3	D501086	Screw	
4	804608	Screw	
5	202792P	Control Assembly	
6	D503688	Screw	
7	203843	Pressure Sensor	Mounted here through Serial No. 1806000001; Mounted to mixing valve bracket starting Serial No. 1806000001
8	80262	Grommet	
9	203068	Junction Box	
10	F8211201	Electrical Shock Label	
11	23222	Screw	
12	210108W	End Cap	Right
13	202469	Control Panel Bumper	
	M400795	Bumper	Extra thick
14	203593	Control Overlay	Models BWNMN2PP303AW01 and BWNMN2SP303AW01
	203500	Control Overlay	Model NWNMN2SP303WW01
	203494	Control Overlay	All other models
15	70455101	Rocker Switch	
16	24205	Nut	
17	39897	Switch Knob	
18	210109W	End Cap	Left
19	201742W	Control Panel Assembly	
20	52864	Screw	
21	201686	Cycle Selector Switch	
22	91176	Washer	
23	801431	Light	
24	804864	Line Filter	
25	29787	Nut	

Control Panel, Control Hood and Controls (Drawing 3 of 9)

Models HWNSX2PP115TQ01, HWNSX2PP115TW01, HWNSX2SP115CW01, HWNSX2SP115TW01, KWNSX2PP115TW01, KWNSX2PP303NW16, KWNSX2SP115TW01, KWNSX2SP303NW16, NWNSX2SP303NW22, PWNSX2PP115CG02, PWNSX2PP115CW02, PWNSX2PP115TG02, PWNSX2PP115TW02, SWNSX2SP115CW02, SWNSX2SP115TQ02, SWNSX2SP115TW02, SWNSX2SP303NW22 and SWNSX2SP543NW22



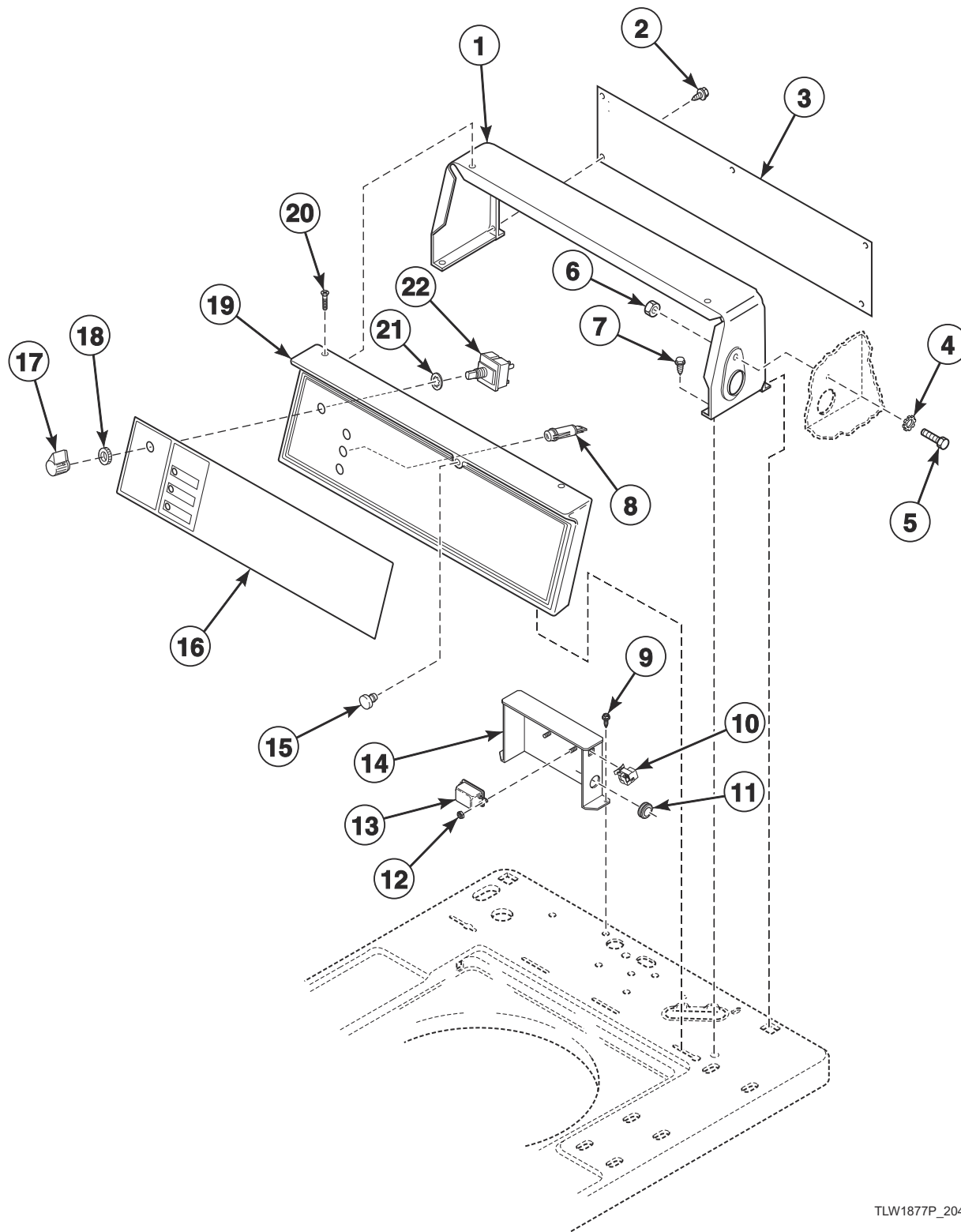
TLW1831P_204554

Control Panel, Control Hood and Controls (Drawing 3 of 9)

REF	PART NO.	DESCRIPTION	COMMENTS
1	37075W	Control Hood	White
	37075Q	Control Hood	Bisque
	37075DG	Control Hood	Gray
2	23222	Screw	
3	203843	Pressure Sensor	Mounted here through Serial No. 1806000001; Mounted to mixing valve bracket starting Serial No. 1806000001
4	37020	Rear Hood Panel	Through Serial No. 1806000001
	202465	Hood Back Panel	Starting Serial No. 1806000001
5	M400017	Washer	
6	02916	Screw	
7	D501086	Screw	
8	44087101	Nut	
9	801431	Light	
10	202469	Control Panel Bumper	
	M400795	Bumper	Extra thick
11	203479	Control Overlay	Models HWNSX2PP115TQ01, HWNSX2PP115TW01, HWNSX2SP115CW01 and HWNSX2SP115TW01
	203598	Control Overlay	Models KWNSX2PP115TW01, KWNSX2PP303NW16 and KWNSX2SP115TW01
	203597	Control Overlay	Model NWNSX2SP303NW22
	204321	Control Overlay	Models PWNSX2PP115CG02, PWNSX2PP115CW02, PWNSX2PP115TG02 and PWNSX2PP115TW02
	203493	Control Overlay	All other models
12	24205	Nut	
13	39897	Switch Knob	
14	36521WP	Control Panel and Bracket Assembly	White
	36521QP	Control Panel and Bracket Assembly	Bisque
	36521	Control Panel and Bracket Assembly	Gray
15	D500226	Screw	Phillips head
	35528	Screw	Torx head
16	91176	Washer	
17	201686	Cycle Selector Switch	

Control Panel, Control Hood and Controls (Drawing 4 of 9)

Models SWNSX2PP113FW01, SWNSX2PP303AW01, SWNSX2SP113FW01, SWNSX2SP303AW01, SWNSX2SP303BW01, SWNSX2SP303SQ01, SWNSX2SP303SW01 and SWNSX2SP303WW01



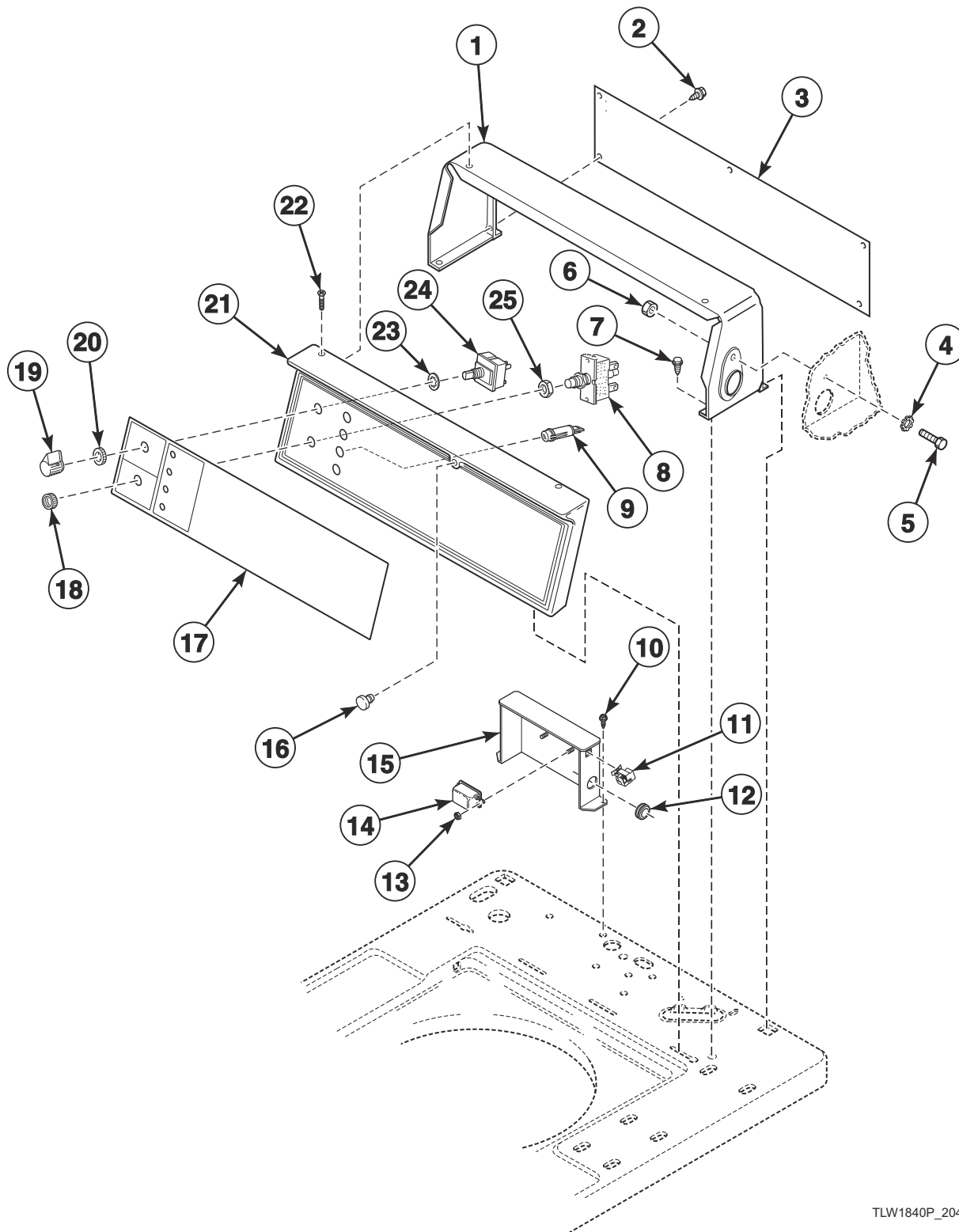
TLW1877P_204554

Control Panel, Control Hood and Controls (Drawing 4 of 9)

REF	PART NO.	DESCRIPTION	COMMENTS
1	37075W	Control Hood	White
	37075Q	Control Hood	Bisque
2	23222	Screw	
3	202465	Hood Back Panel	
4	M400017	Washer	
5	02916	Screw	
6	44087101	Nut	
7	23962	Screw	
8	801431	Light	
9	D503688	Screw	
10	203843	Pressure Sensor	Mounted here through Serial No. 1806000001; Mounted to mixing valve bracket starting Serial No. 1806000001
11	80262	Grommet	
12	29787	Nut	
13	804864	Line Filter	
14	203068	Junction Box	
15	202469	Control Panel Bumper	
	M400795	Bumper	Extra thick
16	203493	Control Overlay	
17	39897	Switch Knob	
18	24205	Nut	
19	203551W	Control Panel and Bracket Assembly	White
	203551	Control Panel and Bracket Assembly	Bisque
20	52864	Screw	Phillips head
	35528	Screw	Torx head; Optional for added security
21	91176	Washer	
22	201686	Cycle Selector Switch	

Control Panel, Control Hood and Controls (Drawing 5 of 9)

Models HWNSX2SP303UW01, KWNSX2PP303EW01, KWNSX2SP303EW01, SWNSX2SP303EW01 and SWNSX2SP303UW01



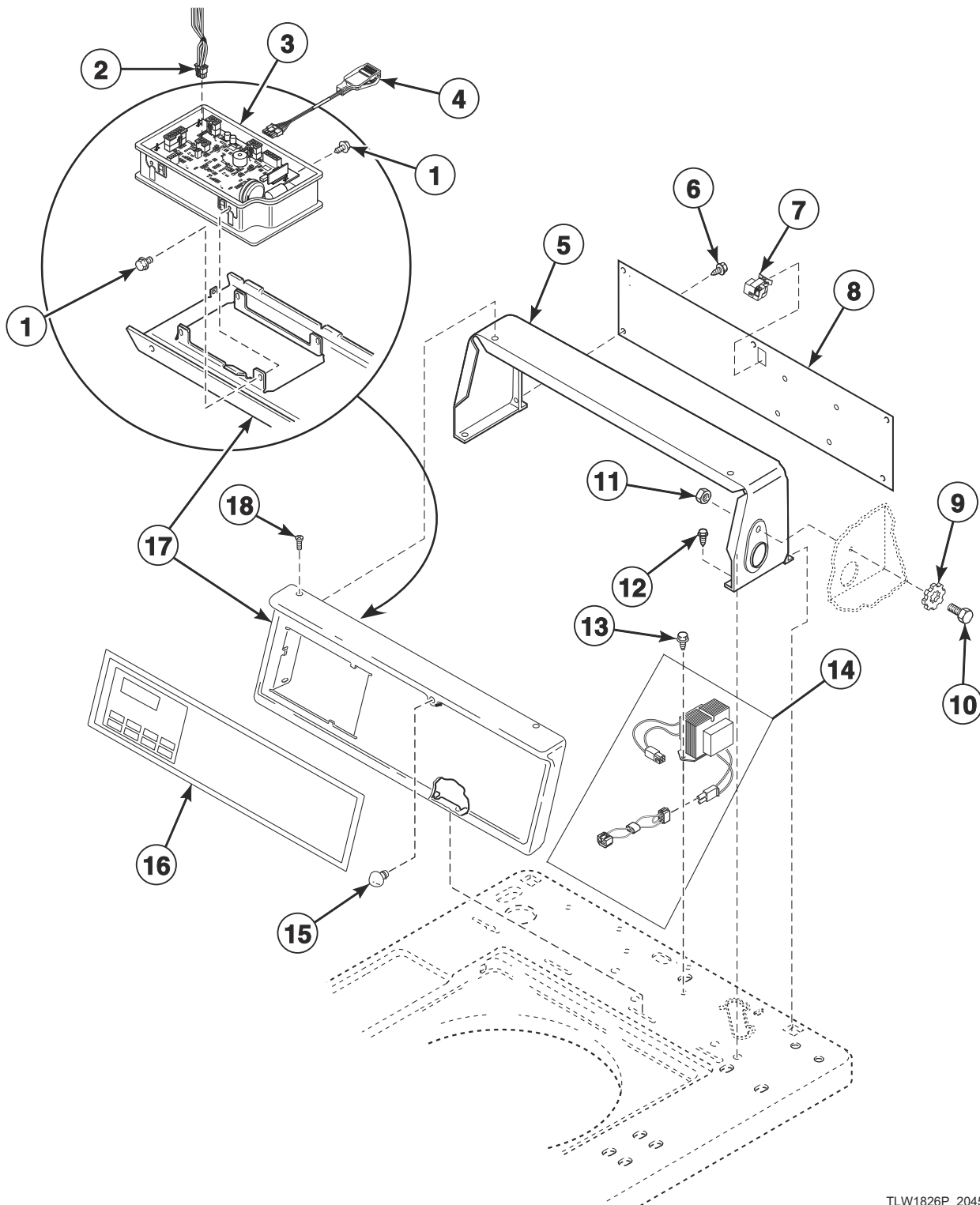
TLW1840P_204554

Control Panel, Control Hood and Controls (Drawing 5 of 9)

REF	PART NO.	DESCRIPTION	COMMENTS
1	37075W	Control Hood	
2	23222	Screw	
3	202465	Hood Back Panel	
4	M400017	Washer	
5	02916	Screw	
6	44087101	Nut	
7	23962	Screw	
8	55882	Switch Assembly	
9	801431	Light	
10	D503688	Screw	
11	203843	Pressure Sensor	Mounted here through Serial No. 1806000001; Mounted to mixing valve bracket starting Serial No. 1806000001
12	80262	Grommet	
13	29787	Nut	
14	804864	Line Filter	
15	203068	Junction Box	
16	202469	Control Panel Bumper	
	M400795	Bumper	Extra thick
17	203491	Control Overlay	Model HWNSX2SP303UW01
	203492	Control Overlay	Models KWNSX2PP303EW01 and KWNSX2SP303EW01
	203490	Control Overlay	All other models
18	24206	Nut	
19	39897	Switch Knob	
20	24205	Nut	
21	203551W	Control Panel and Bracket Assembly	
22	52864	Screw	Phillips head
	35528	Screw	Torx head; Optional for added security
23	91176	Washer	
24	201686	Cycle Selector Switch	
25	F430339	Washer	

Control Panel, Control Hood and Controls (Drawing 6 of 9)

Models HWNBC2PP115TQ01, HWNBC2PP115TW01, HWNBC2SP115TW01, HWNBD2SP115CW01, HWNBE2SP115CW01, HWNBX2SP115CW01, HWNBX2SP303NW22, HWNKC2SP115TW01, HWNKD2SP115CW01, HWNKE2SP115CW01, HWNKX2SP115CW01, KWNBX2SP115TW01, NWNBX2SP303NW22, NWNBX2SP543NW23, PWNBC2PP115TG02, PWNBC2PP115TW02, PWNBE2PP115CG02, PWNBE2PP115CW02, PWNBX2PP115CG02, PWNBX2PP115CW02, PWNBX2PP115TG02, PWNBX2PP115TW02, PWNBX2SP303AG01, SWNBC2SP115TW02, SWNBX2SP115TQ02, SWNBX2SP115TW02, SWNBX2SP303NQ22, SWNBX2SP303NW22 and TWNBX2SP303NW22



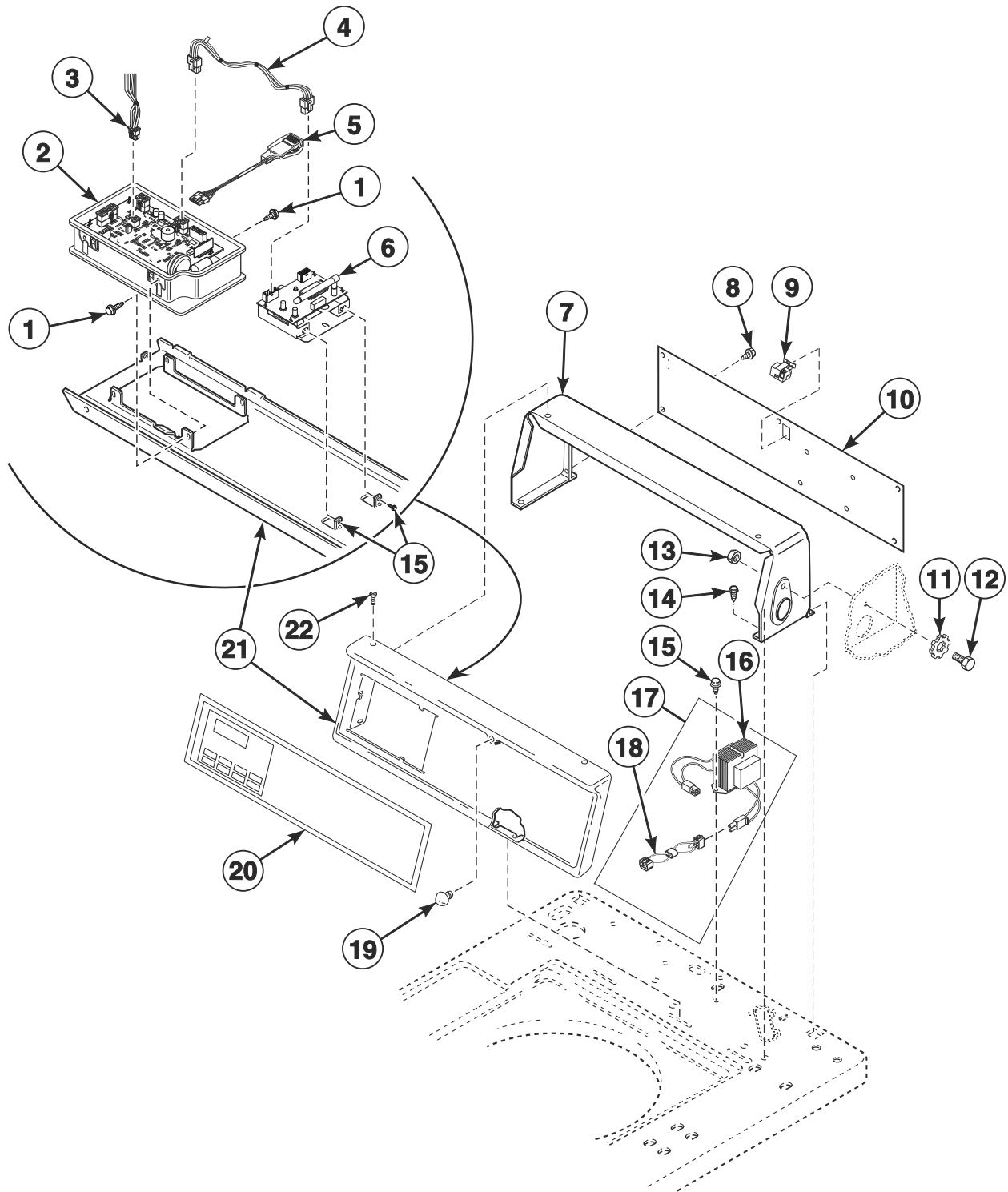
TLW1826P_204554

Control Panel, Control Hood and Controls (Drawing 6 of 9)

REF	PART NO.	DESCRIPTION	COMMENTS
1	804608	Screw	
2	805427	Central Pay Harness	
3	203566	Control Assembly	Models PWNBC2PP115TG02, PWNBC2PP115TW02, PWNBE2PP115CG02, PWNBE2PP115CW02, PWNBX2PP115CG02, PWNBX2PP115CW02, PWNBX2PP115TG02 and PWNBX2PP115TW02
	203564P	Control Assembly	All other models
4	203361P	Machine ID Control Assembly	Model or serial number is required when ordering
5	37075W	Control Hood	White
	37075Q	Control Hood	Bisque
	37075DG	Control Hood	Gray
6	23222	Screw	
7	203843	Pressure Sensor	Mounted here through Serial No. 1806000001; Mounted to mixing valve bracket starting Serial No. 1806000001
8	37020	Rear Hood Panel	Through Serial No. 1806000001
	202465	Hood Back Panel	Starting Serial No. 1806000001
9	M400017	Washer	
10	02916	Screw	
11	44087101	Nut	
12	D501086	Screw	
13	D503661	Screw	
14	204379	Transformer	Model HWNKX2SP115CW01
	203424	Transformer Kit	240 Volt; Models HWNBX2SP303NW22, NWNBX2SP303NW22, NWNBX2SP543NW23, SWNBX2SP303NQ22, SWNBX2SP303NW22 and TWNBX2SP303NW22
	203423	Transformer Kit	120 Volt; All other models
15	202469	Control Panel Bumper	
	M400795	Bumper	Extra thick
16	203515	Control Overlay	Model HWNBX2SP303NW22
	203476	Control Overlay	Models HWNBC2PP115TQ01, HWNBC2PP115TW01, HWNBC2SP115TW01, HWNBD2SP115CW01, HWNBE2SP115CW01, HWNBX2SP115CW01, HWNKC2SP115TW01, HWNKD2SP115CW01, HWNKE2SP115CW01 and HWNKX2SP115CW01
	203682	Control Overlay	Models PWNBC2PP115TG02, PWNBC2PP115TW02, PWNBE2PP115CG02, PWNBE2PP115CW02, PWNBX2PP115CG02, PWNBX2PP115CW02, PWNBX2PP115TG02 and PWNBX2PP115TW02
	203501	Control Overlay	Model TWNBX2SP303NW22
	204939	Control Overlay	Model KWNBX2SP115TW01
	203514	Control Overlay	All other models
17	210042W	Control Panel Assembly	White
	210042Q	Control Panel Assembly	Bisque
	210042DG	Control Panel Assembly	Gray
18	52864	Screw	Phillips head
	35528	Screw	Torx head

Control Panel, Control Hood and Controls (Drawing 7 of 9)

Model HWNZC2SP115TW01



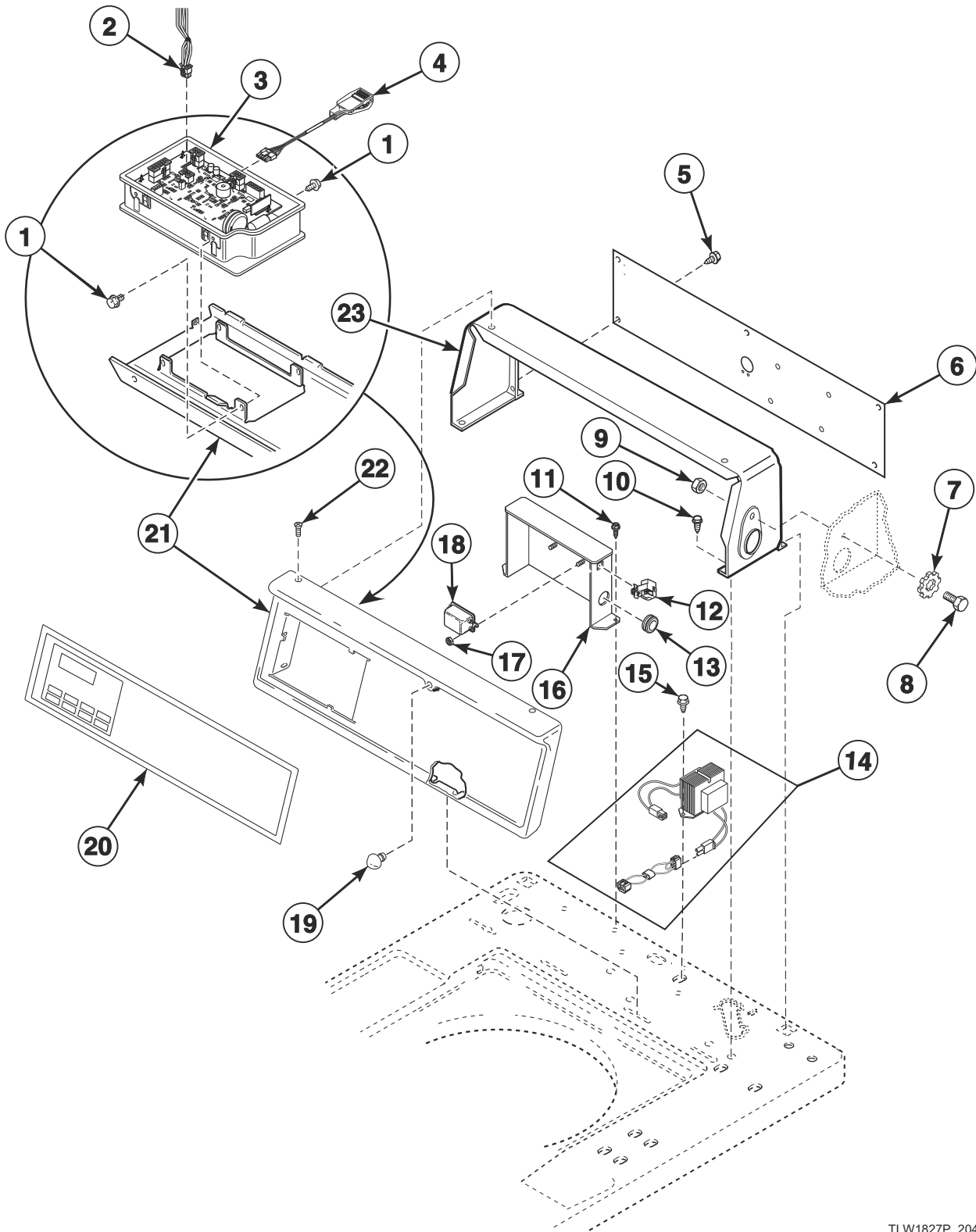
TLW1866P_204554

Control Panel, Control Hood and Controls (Drawing 7 of 9)

REF	PART NO.	DESCRIPTION	COMMENTS
	NK320	Ethernet Gateway Kit	Wireless
	NK330	USB Gateway Kit	Wireless
1	804608	Screw	
2	203564P	Control Assembly	
3	805427	Central Pay Harness	
4	F8536002	Wireless Network Board Harness	Through Serial No. 1902000001
	F8674006	Wireless Network Harness	Starting Serial No. 1902000001
5	203361P	Machine ID Control Assembly	Model or serial number is required when ordering
6	203532	Wireless Network Control Assembly	Through Serial No. 1902000001
	807211	Wireless Network Control Assembly	Starting Serial No. 1902000001
7	37075W	Control Hood	
8	23222	Screw	
9	203843	Pressure Sensor	
10	37020	Rear Hood Panel	
11	M400017	Washer	
12	02916	Screw	
13	44087101	Nut	
14	D501086	Screw	
15	D503661	Screw	
16	202757	Transformer	
17	203423	Transformer Kit	Includes items 16 and 18
18	804832	Harness	
19	202469	Control Panel Bumper	
	M400795	Bumper	Extra thick
20	203476	Control Overlay	
21	210042W	Control Panel Assembly	
22	52864	Screw	Phillips head
	35528	Screw	Torx head

Control Panel, Control Hood and Controls (Drawing 8 of 9)

Models BWNBX2PP303AW01, BWNBX2SP303AW01, HWNBX2SP113FW01, HWNBX2SP123DW01, HWNBX2SP543DW01, NWNBX2SP303LW01, PWNBX2PP303AG02, PWNBX2SP303AG01, SWNBX2SP113FW01, SWNBX2SP113JW01, SWNBX2SP123DW01, SWNBX2SP303AW01, SWNBX2SP303LW01 and SWNBX2SP543DW01



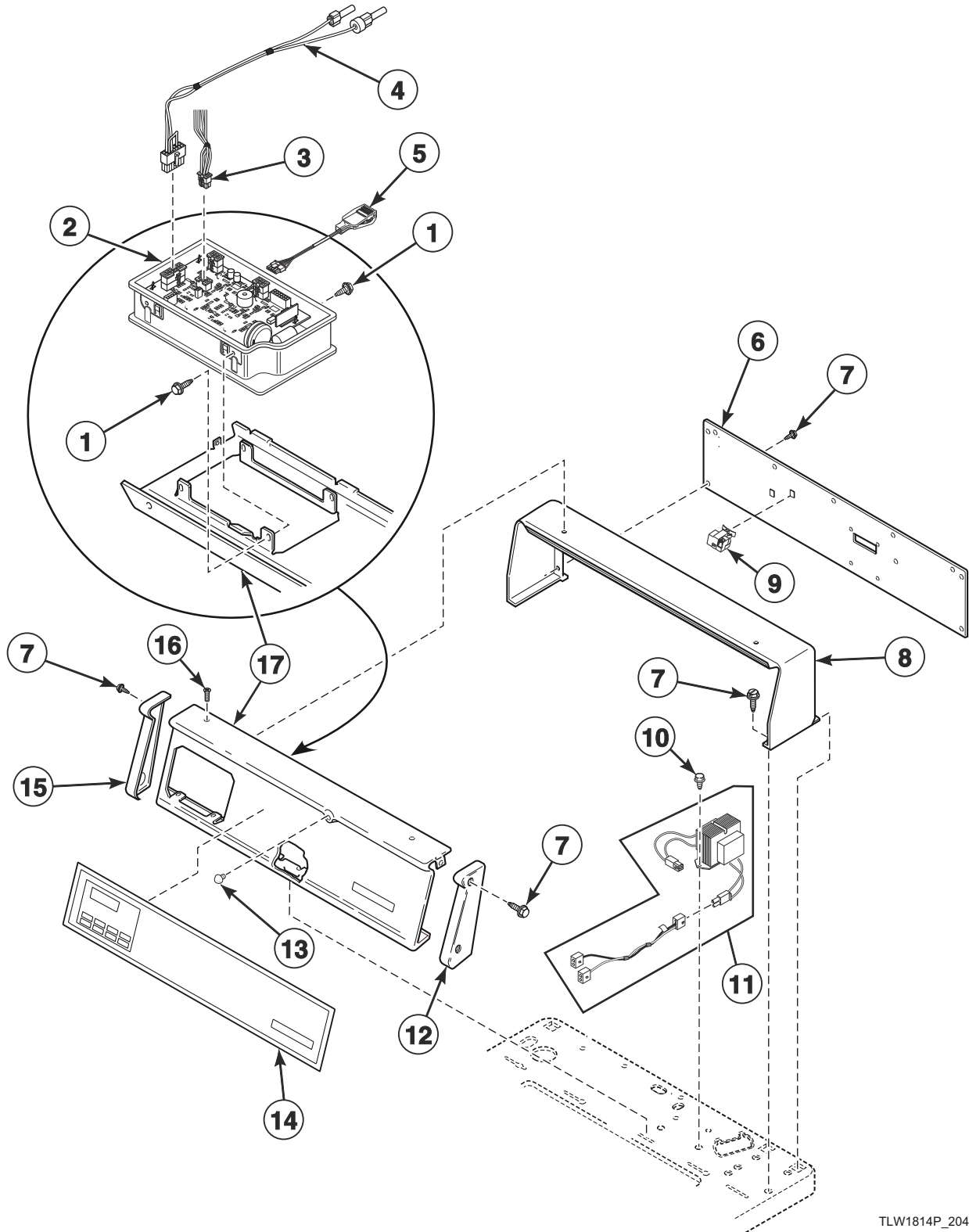
TLW1827P_204554

Control Panel, Control Hood and Controls (Drawing 8 of 9)

REF	PART NO.	DESCRIPTION	COMMENTS
1	804608	Screw	
2	805427	Central Pay Harness	
3	203566	Control Assembly	Models PWNBX2PP303AG02 and PWNBX2SP303AG01
	203564P	Control Assembly	All other models
4	203361P	Machine ID Control Assembly	Model or serial number is required when ordering
5	23222	Screw	
6	37020	Rear Hood Panel	Through Serial No. 1806000001
	202465	Hood Back Panel	Starting Serial No. 1806000001
7	M400017	Washer	
8	02916	Screw	
9	44087101	Nut	
10	D501086	Screw	
11	800258	Screw	
12	203843	Pressure Sensor	Mounted here through Serial No. 1806000001; Mounted to mixing valve bracket starting Serial No. 1806000001
13	80262	Grommet	
14	203424	Transformer Kit	240 Volt; Models BWNBX2PP303AW01, BWNBX2SP303AW01, HWNBX2SP543DW01, PWNBX2PP303AG02, PWNBX2SP303AG01, SWNBX2SP303AW01 and SWNBX2SP543DW01
	203423	Transformer Kit	120 Volt; All other models
15	D503661	Screw	
16	203068	Junction Box	
17	29787	Nut	
18	804864	Line Filter	
19	202469	Control Panel Bumper	
	M400795	Bumper	Extra thick
20	203515	Control Overlay	Models HWNBX2SP113FW01, HWNBX2SP123DW01 and HWNBX2SP543DW01
	203477	Control Overlay	Models BWNBX2PP303AW01 and BWNBX2SP303AW01
	203682	Control Overlay	Models PWNBX2PP303AG02 and PWNBX2SP303AG01
	203474	Control Overlay	Models SWNBX2SP303AW01 and SWNBX2SP303LW01
	203514	Control Overlay	All other models
21	210042W	Control Panel Assembly	White
	210042DG	Control Panel Assembly	Gray
22	52864	Screw	Phillips head
	35528	Screw	Torx head
23	37075W	Control Hood	White
	37075DG	Control Hood	Gray

Control Panel, Control Hood and Controls (Drawing 9 of 9)

Models HWNBY2PP115TW01, HWNBY2SP115CW01, HWNBY2SP115TW01, HWNKY2SP115CW01 and SWNBY2SP115TW01



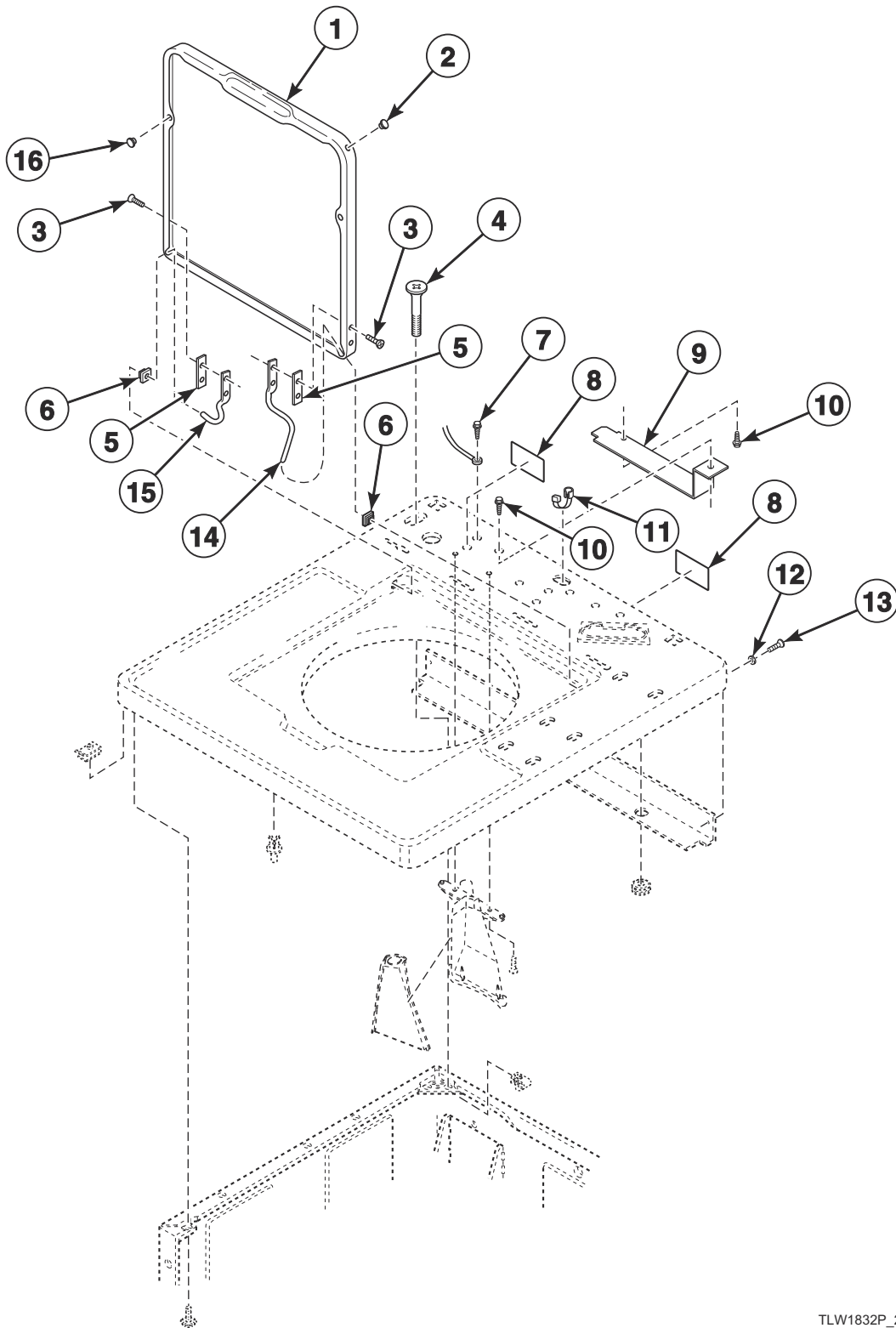
TLW1814P_204554

Control Panel, Control Hood and Controls (Drawing 9 of 9)

REF	PART NO.	DESCRIPTION	COMMENTS
1	804608	Screw	
2	203564P	Control Assembly	
3	805427	Central Pay Harness	
4	202869	Wiring Harness Assembly	Diagnostic
5	203361P	Machine ID Control Assembly	Model or serial number is required when ordering
6	210143	Rear Panel	Through Serial No. 1806000001
	203818	Rear Panel	Starting Serial No. 1806000001
7	D501086	Screw	
8	210142W	Control Hood	
9	203843	Pressure Sensor	Mounted here through Serial No. 1806000001; Mounted to mixing valve bracket starting Serial No. 1806000001
10	D503661	Screw	
11	203423	Transformer Kit	
12	210108W	End Cap	Right
13	202469	Control Panel Bumper	
	M400795	Bumper	Extra thick
14	203497	Control Panel Overlay	Models HWNBY2PP115TW01, HWNBY2SP115CW01, HWNBY2SP115TW01 and HWNKY2SP115CW01
	203648	Control Panel Overlay	Model SWNBY2SP115TW01
15	210109W	End Cap	Left
16	52864	Screw	
17	210137W	Control Panel Assembly	

Lid and Cabinet Top (Drawing 1 of 2)

All Models Except HWNSX2SP303UW01, KWNSX2PP303EW01, KWNSX2SP303EW01, SWNSX2SP303EW01 and SWNSX2SP303UW01



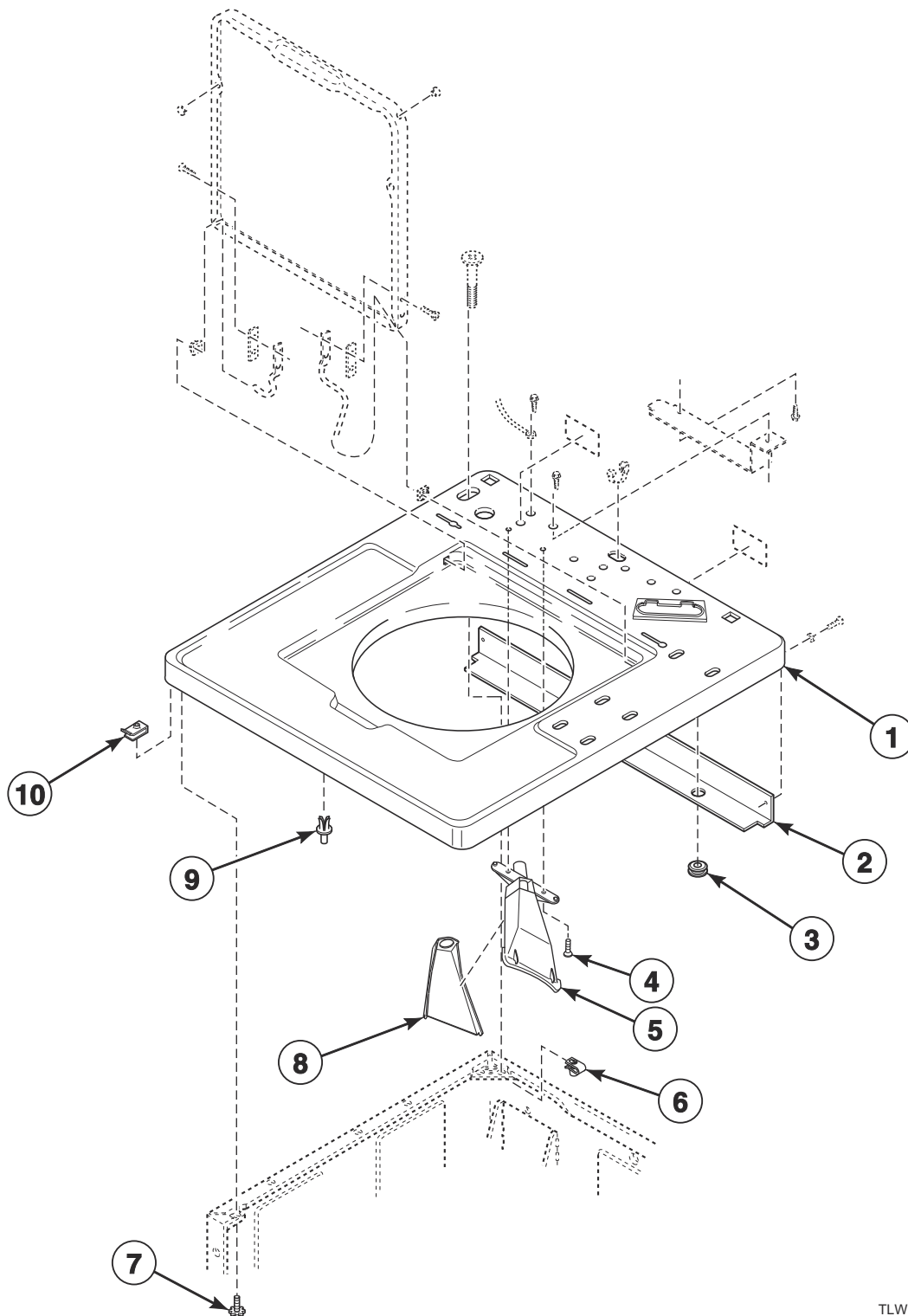
TLW1832P_204554

Lid and Cabinet Top (Drawing 1 of 2)

REF	PART NO.	DESCRIPTION	COMMENTS
1	33450DG	Lid	Gray
	204615W	Lid	White
	203045	Lid Warning Label	
2	34153	Lid Plug	
3	34337	Screw	
4	D503673	Screw	Optional; For added security
5	34338	Hinge Gasket	
6	33446	Bushing	
7	52909	Screw	
8	F8211201	Electrical Shock Label	Icon
	D500316	Warning Label	English/French
	D505281	Disconnect Power Warning Label	English
9	202083	Bracket	All models except BWNBX2PP303AW01, BWNBX2SP303AW01, BWNMN2PP303AW01, BWNMN2SP303AW01, HWNBC2SP115TW01, HWNBX2SP113FW01, HWNBX2SP123DW01, HWNBX2SP543DW01, KWNMN2SP303BW33, KWNMN2SP303NW16, NWNMN2SP303WW01, PWNBX2PP303AG02, PWNBX2SP303AG01, SWNBX2SP113FW01, SWNBX2SP113JW01, SWNBX2SP123DW01, SWNBX2SP303AW01, SWNBX2SP543DW01, SWNMN2SP303AW01, SWNMN2SP303SW01, SWNMN2SP303WW01, SWNSX2PP113FW01, SWNSX2PP303AW01, SWNSX2SP113FW01, SWNSX2SP303AW01, SWNSX2SP303BW01, SWNSX2SP303SQ01, SWNSX2SP303SW01 and SWNSX2SP303WW01
10	23962	Screw	
11	38384	Strain Relief	
12	39249	Washer	Models BWNBX2PP303AW01, BWNBX2SP303AW01, BWNMN2PP303AW01, BWNMN2SP303AW01, HWNBC2SP115TW01, HWNBX2SP113FW01, HWNBX2SP123DW01, HWNBX2SP543DW01, KWNMN2SP303BW33, KWNMN2SP303NW16, NWNMN2SP303WW01, PWNBX2PP303AG02, PWNBX2SP303AG01, SWNBX2SP113FW01, SWNBX2SP113JW01, SWNBX2SP123DW01, SWNBX2SP303AW01, SWNBX2SP303LW01, SWNBX2SP543DW01, SWNMN2SP303AW01, SWNMN2SP303SW01, SWNMN2SP303WW01, SWNSX2PP113FW01, SWNSX2PP303AW01, SWNSX2SP113FW01, SWNSX2SP303AW01, SWNSX2SP303BW01, SWNSX2SP303SQ01, SWNSX2SP303SW01 and SWNSX2SP303WW01
13	431287	Screw	Models BWNBX2PP303AW01, BWNBX2SP303AW01, BWNMN2PP303AW01, BWNMN2SP303AW01, HWNBC2SP115TW01, HWNBX2SP113FW01, HWNBX2SP123DW01, HWNBX2SP543DW01, KWNMN2SP303BW33, KWNMN2SP303NW16, NWNMN2SP303WW01, PWNBX2PP303AG02, PWNBX2SP303AG01, SWNBX2SP113FW01, SWNBX2SP113JW01, SWNBX2SP123DW01, SWNBX2SP303AW01, SWNBX2SP303LW01, SWNBX2SP543DW01, SWNMN2SP303AW01, SWNMN2SP303SW01, SWNMN2SP303WW01, SWNSX2PP113FW01, SWNSX2PP303AW01, SWNSX2SP113FW01, SWNSX2SP303AW01, SWNSX2SP303BW01, SWNSX2SP303SQ01, SWNSX2SP303SW01 and SWNSX2SP303WW01
14	36437	Lid Hinge	Right
15	36438	Lid Hinge	Left
16	21685	Bumper	

Lid and Cabinet Top (Drawing 2 of 2)

All Models Except HWNSX2SP303UW01, KWNSX2PP303EW01, KWNSX2SP303EW01, SWNSX2SP303EW01 and SWNSX2SP303UW01



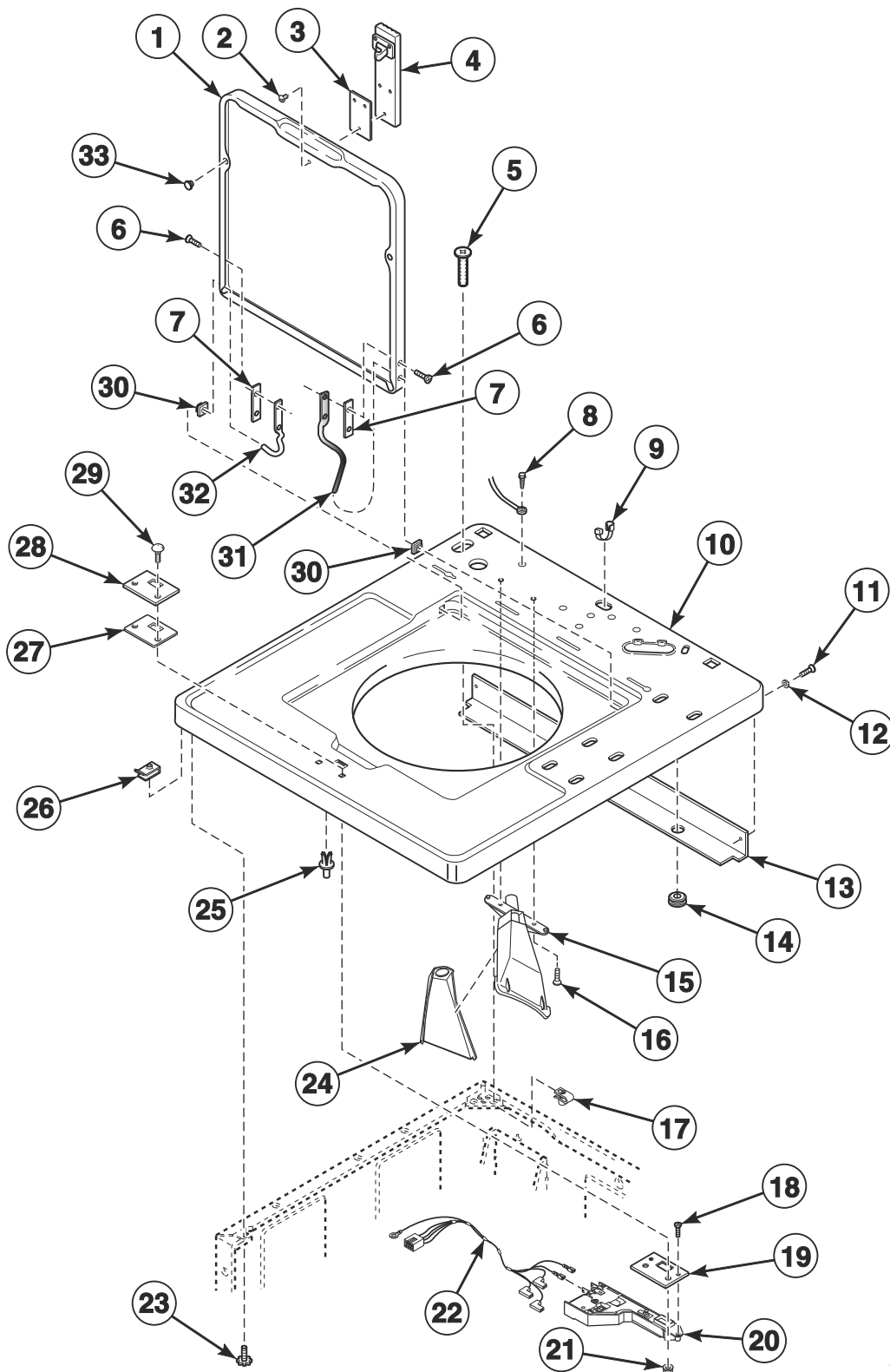
TLW1832PA_204554

Lid and Cabinet Top (Drawing 2 of 2)

REF	PART NO.	DESCRIPTION	COMMENTS
1	210173WP	Top Assembly	Models BWNMN2PP303AW01, BWNMN2SP303AW01, HWNBC2SP115TW01, HWNBY2PP115TW01, HWNBY2SP115CW01, HWNBY2SP115TW01, HWNKY2SP115CW01, HWNMN2PP115TW01, HWNMN2SP115CW01, HWNMN2SP115TW01, KWNMN2PP115TW01, KWNMN2PP303BW33, KWNMN2PP303NW16, KWNMN2SP115TW01, KWNMN2SP303BW33, KWNMN2SP303NW16, NWNMN2SP303NW22, NWNMN2SP303WW01, NWNMN2SP543NW22, SWNBY2SP115TW01, SWNMN2SP115CW01, SWNMN2SP115TW01, SWNMN2SP303AW01, SWNMN2SP303NW22, SWNMN2SP303SW01, SWNMN2SP303WW01 and UWNMN2SP115CW01
	203579DG	Top	Gray; Models PWNBC2PP115TG02, PWNBE2PP115CG02, PWNBX2PP115CG02, PWNBX2PP115TG02, PWNBX2PP303AG02, PWNBX2SP303AG01, PWNSX2PP115CG02 and PWNSX2PP115TG02
	39167QP	Top	Bisque; Models HWNBC2PP115TQ01, HWNSX2PP115TQ01, SWNBX2SP115TQ02, SWNBX2SP303NQ22, SWNSX2SP115TQ02 and SWNSX2SP303SQ01
	39167WP	Top	White; All other models
2	203947	Top Shield	Models BWNBX2PP303AW01, BWNBX2SP303AW01, BWNMN2PP303AW01, BWNMN2SP303AW01, HWNBC2SP115TW01, HWNBX2SP113FW01, HWNBX2SP123DW01, HWNBX2SP543DW01, KWNMN2SP303BW33, KWNMN2SP303NW16, NWNBX2SP303LW01, NWNMN2SP303WW01, PWNBX2PP303AG02, PWNBX2SP303AG01, SWNBX2SP113FW01, SWNBX2SP113JW01, SWNBX2SP123DW01, SWNBX2SP303AW01, SWNBX2SP303LW01, SWNBX2SP543DW01, SWNMN2SP303AW01, SWNMN2SP303SW01, SWNMN2SP303WW01, SWNSX2PP113FW01, SWNSX2PP303AW01, SWNSX2SP113FW01, SWNSX2SP303AW01, SWNSX2SP303BW01, SWNSX2SP303SQ01, SWNSX2SP303SW01 and SWNSX2SP303WW01
3	80262	Grommet	Models BWNBX2PP303AW01, BWNBX2SP303AW01, BWNMN2PP303AW01, BWNMN2SP303AW01, HWNBC2SP115TW01, HWNBX2SP113FW01, HWNBX2SP123DW01, HWNBX2SP543DW01, KWNMN2SP303BW33, KWNMN2SP303NW16, NWNBX2SP303LW01, NWNMN2SP303WW01, PWNBX2PP303AG02, PWNBX2SP303AG01, SWNBX2SP113FW01, SWNBX2SP113JW01, SWNBX2SP123DW01, SWNBX2SP303AW01, SWNBX2SP303LW01, SWNBX2SP543DW01, SWNMN2SP303AW01, SWNMN2SP303SW01, SWNMN2SP303WW01, SWNSX2PP113FW01, SWNSX2PP303AW01, SWNSX2SP113FW01, SWNSX2SP303AW01, SWNSX2SP303BW01, SWNSX2SP303SQ01, SWNSX2SP303SW01 and SWNSX2SP303WW01
4	23962	Screw	
5	203509	Inlet Deflector	
6	27222	Nut	Optional; For added security
7	23008	Screw	
8	202894	Inlet Cover	
9	56534	Support Barrel	
10	36020	Nut	

Lid, Lid Lock and Cabinet Top

Models HWNSX2SP303UW01, KWNSX2PP303EW01, KWNSX2SP303EW01, SWNSX2SP303EW01 and SWNSX2SP303UW01

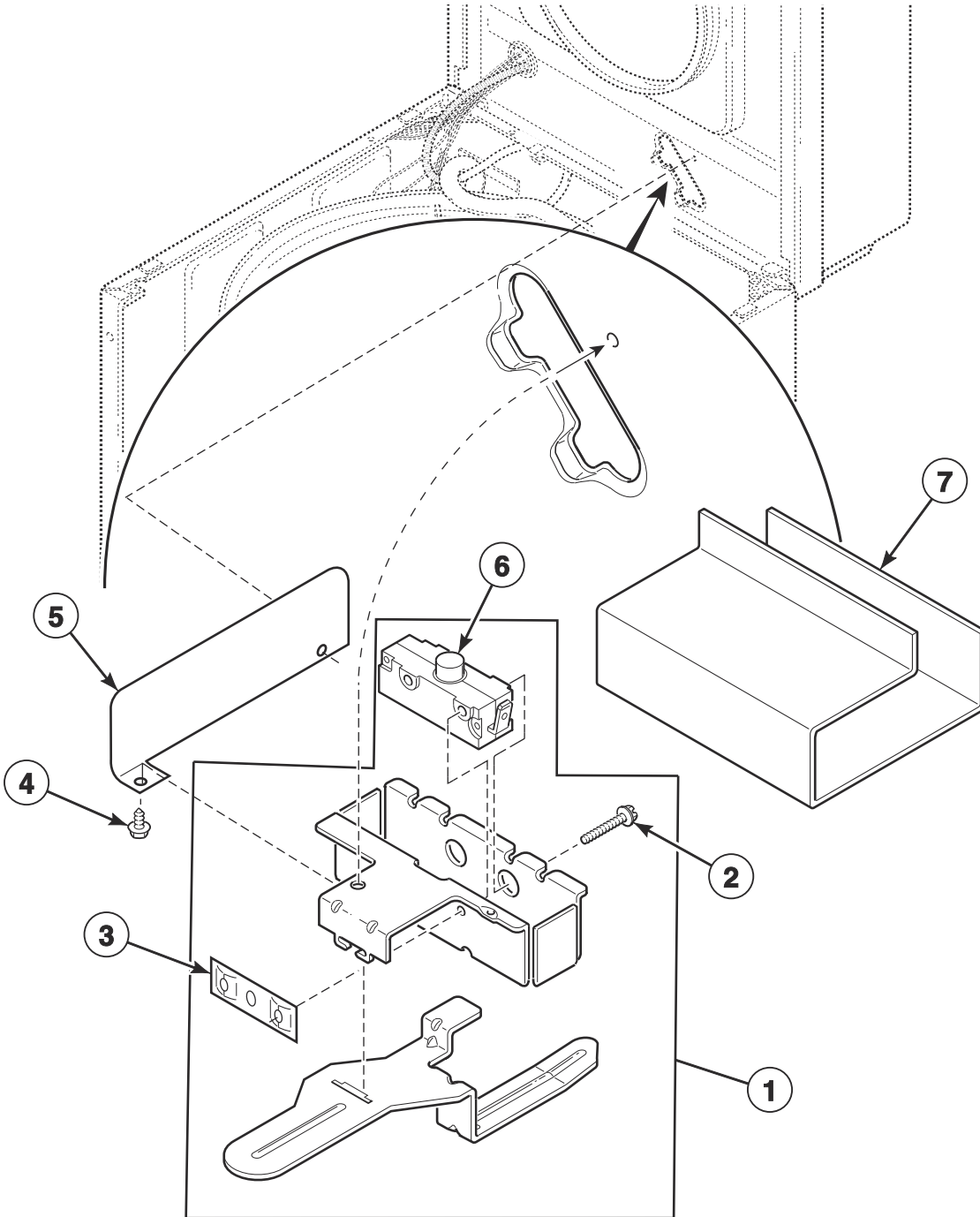


TLW1846P_204554

Lid, Lid Lock and Cabinet Top

REF	PART NO.	DESCRIPTION	COMMENTS
	837P3	Lid Lock Kit	Includes items 4, 18 and 20
1	200892WP	Lid	
2	201415	Screw	
3	201414	Door Lock Spacer	
4	201307P	Lid Lock Catch Assembly	Includes item 3
5	D503673	Screw	Optional; For added security
6	34337	Screw	
7	34338	Hinge Gasket	
8	52909	Screw	
9	38384	Strain Relief	
10	39184WP	Top Assembly	
11	431287	Screw	
12	39249	Washer	
13	203947	Top Shield	
14	80262	Grommet	
15	203509	Inlet Deflector	
16	23962	Screw	
17	27222	Nut	Optional; For added security
18	202623	Screw	
19	29676	Switch Mounting Plate	
20	202434	Lid Lock	
21	22001	Nut	
22	203471	Lid Lock Wire Harness Assembly	
23	23008	Screw	
24	202894	Inlet Cover	
25	56534	Support Barrel	
26	36020	Nut	
27	30378	Lid Lock Gasket	
28	37828P	Cover Plate	
29	32184	Bolt	
30	33446	Bushing	
31	36437	Lid Hinge	Right
32	36438	Lid Hinge	Left
33	21685	Bumper	

Lid Switch



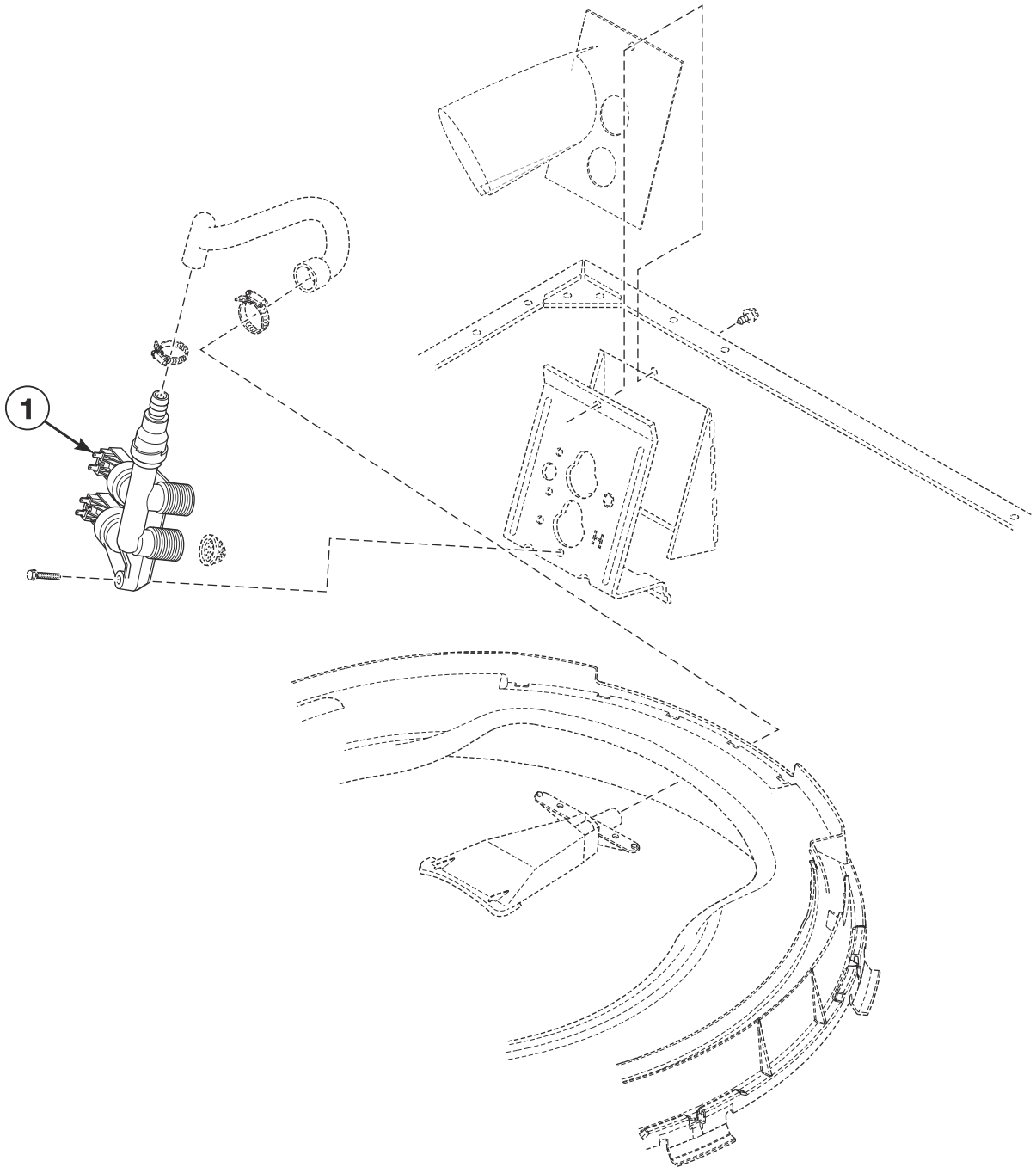
TLW1803P_204554

Lid Switch

REF	PART NO.	DESCRIPTION	COMMENTS
1	39256	Switch Assembly	Models HWNSX2SP303UW01, KWNSX2PP303EW01, KWNSX2SP303EW01, SWNSX2SP303EW01 and SWNSX2SP303UW01
	204696	Lid Switch Kit	All other models
2	M402574	Screw	Models HWNSX2SP303UW01, KWNSX2PP303EW01, KWNSX2SP303EW01, SWNSX2SP303EW01 and SWNSX2SP303UW01
	204656	Screw	All other models
3	M400981	Nut	Models HWNSX2SP303UW01, KWNSX2PP303EW01, KWNSX2SP303EW01, SWNSX2SP303EW01 and SWNSX2SP303UW01
	M400979	Nut	All other models
4	23962	Screw	
5	202697	Lid Switch Shield	Models BWNBX2PP303AW01, BWNBX2SP303AW01, BWNMN2PP303AW01, BWNMN2SP303AW01, HWNBC2SP115TW01, HWNBX2SP113FW01, HWNBX2SP123DW01, HWNBX2SP543DW01, HWNSX2SP303UW01, KWNMN2PP303BW33, KWNMN2PP303NW16, KWNMN2SP303BW33, KWNMN2SP303NW16, KWNSX2PP303EW01, KWNSX2PP303NW16, KWNSX2SP303EW01, KWNSX2SP303NW16, NWNMN2SP303WW01, PWNBX2PP303AG02, PWNBX2SP303AG01, SWNBX2SP113FW01, SWNBX2SP113JW01, SWNBX2SP123DW01, SWNBX2SP303AW01, SWNBX2SP543DW01, SWNMN2SP303AW01, SWNMN2SP303SW01, SWNMN2SP303WW01, SWNSX2PP113FW01, SWNSX2PP303AW01, SWNSX2SP113FW01, SWNSX2SP303AW01, SWNSX2SP303BW01, SWNSX2SP303EW01, SWNSX2SP303SQ01, SWNSX2SP303SW01, SWNSX2SP303UW01 and SWNSX2SP303WW01; Through Serial No. 181000001
6	37830	Switch	Models HWNSX2SP303UW01, KWNSX2PP303EW01, KWNSX2SP303EW01, SWNSX2SP303EW01 and SWNSX2SP303UW01
7	204538	Lid Switch Drip Shield	Models BWNBX2PP303AW01, BWNBX2SP303AW01, BWNMN2PP303AW01, BWNMN2SP303AW01, HWNBC2SP115TW01, HWNBX2SP113FW01, HWNBX2SP123DW01, HWNBX2SP543DW01, HWNSX2SP303UW01, KWNMN2PP303BW33, KWNMN2PP303NW16, KWNMN2SP303BW33, KWNMN2SP303NW16, KWNSX2PP303EW01, KWNSX2PP303NW16, KWNSX2SP303EW01, KWNSX2SP303NW16, NWNBX2SP303LW01, NWNMN2SP303WW01, PWNBX2PP303AG02, PWNBX2SP303AG01, SWNBX2SP113FW01, SWNBX2SP113JW01, SWNBX2SP123DW01, SWNBX2SP303AW01, SWNBX2SP303LW01, SWNBX2SP543DW01, SWNMN2SP303AW01, SWNMN2SP303SW01, SWNMN2SP303WW01, SWNSX2PP113FW01, SWNSX2PP303AW01, SWNSX2SP113FW01, SWNSX2SP303AW01, SWNSX2SP303BW01, SWNSX2SP303EW01, SWNSX2SP303SQ01, SWNSX2SP303SW01, SWNSX2SP303UW01 and SWNSX2SP303WW01

Mixing Valve (Drawing 1 of 2)

Models BWNBX2PP303AW01, BWNBX2SP303AW01, BWNMN2PP303AW01, BWNMN2SP303AW01, HWNBX2SP113FW01, HWNBX2SP123DW01, HWNBX2SP303NW22, HWNBX2SP543DW01, HWNSX2SP303UW01, KWNMN2PP303BW33, KWNMN2PP303NW16, KWNMN2SP303BW33, KWNMN2SP303NW16, KWNSX2PP303EW01, KWNSX2PP303NW16, KWNSX2SP303EW01, KWNSX2SP303NW16, NWNBX2SP303LW01, NWNBX2SP303NW22, NWNBX2SP543NW23, NWNMN2SP303NW22, NWNMN2SP303WW01, NWNMN2SP543NW22, NWNSX2SP303NW22, PWNBX2PP303AG02, PWNBX2SP303AG01, SWNBX2SP113FW01, SWNBX2SP113JW01, SWNBX2SP123DW01, SWNBX2SP303AW01, SWNBX2SP303LW01, SWNBX2SP303NQ22, SWNBX2SP303NW22, SWNBX2SP543DW01, SWNMN2SP303AW01, SWNMN2SP303NW22, SWNMN2SP303SW01, SWNMN2SP303WW01, SWNSX2PP113FW01, SWNSX2PP303AW01, SWNSX2SP113FW01, SWNSX2SP303AW01, SWNSX2SP303BW01, SWNSX2SP303EW01, SWNSX2SP303NW22, SWNSX2SP303SQ01, SWNSX2SP303SW01, SWNSX2SP303UW01, SWNSX2SP303WW01, SWNSX2SP543NW22 and TWNBX2SP303NW22



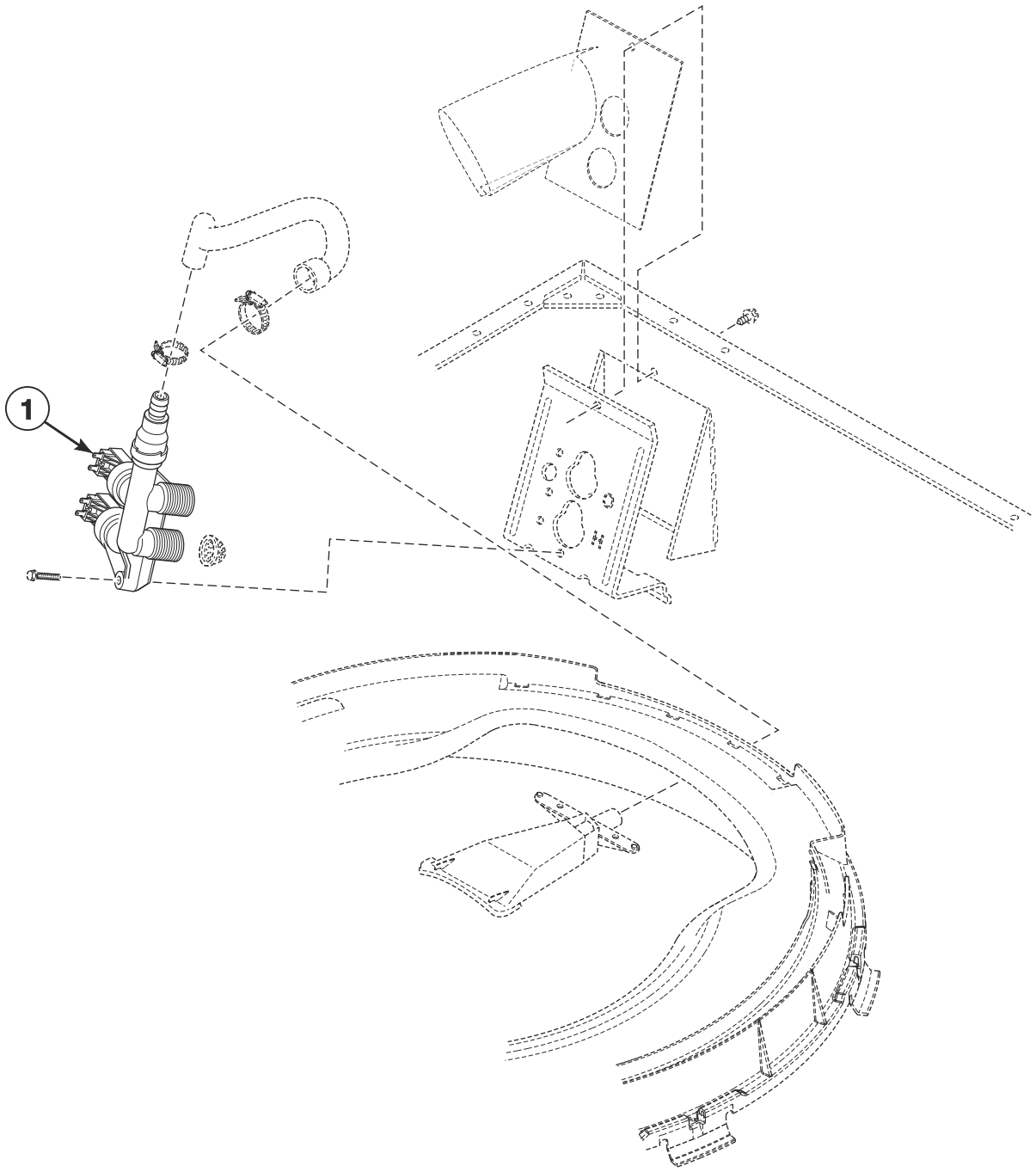
TLW1836P_204554

Mixing Valve (Drawing 1 of 2)

REF	PART NO.	DESCRIPTION	COMMENTS
1	202396P	Mixing Valve	GHT thread; Models BWNBX2PP303AW01, BWNBX2SP303AW01, BWNMN2PP303AW01, BWNMN2SP303AW01, HWNBX2SP303NW22, HWNBX2SP543DW01, HWNSX2SP303UW01, KWNMN2PP303BW33, KWNMN2PP303NW16, KWNMN2SP303BW33, KWNMN2SP303NW16, KWNSX2PP303EW01, KWNSX2PP303NW16, KWNSX2SP303EW01, KWNSX2SP303NW16, NWNBX2SP303LW01, NWNBX2SP303NW22, NWNBX2SP543NW23, NWNMN2SP303NW22, NWNMN2SP303WW01, NWNMN2SP543NW22, NWNMX2SP303NW22, PWNBX2PP303AG02, PWNBX2SP303AG01, SWNBX2SP303AW01, SWNBX2SP303LW01, SWNBX2SP303NQ22, SWNBX2SP303NW22, SWNBX2SP543DW01, SWNMN2SP303AW01, SWNMN2SP303NW22, SWNMN2SP303SW01, SWNMN2SP303WW01, SWNSX2PP303AW01, SWNSX2SP303AW01, SWNSX2SP303BW01, SWNSX2SP303EW01, SWNSX2SP303NW22, SWNSX2SP303SQ01, SWNSX2SP303SW01, SWNSX2SP303UW01, SWNSX2SP303WW01, SWNSX2SP543NW22 and TWNBX2SP303NW22; Through Serial No. 1809999999
	202395P	Mixing Valve	GHT thread; Models HWNBX2SP113FW01, HWNBX2SP123DW01, SWNBX2SP113FW01, SWNBX2SP113JW01, SWNBX2SP123DW01, SWNSX2PP113FW01 and SWNSX2SP113FW01; Through Serial No. 1809999999
	203928	Mixing Valve	BSPP thread; Models BWNBX2PP303AW01, BWNBX2SP303AW01, BWNMN2PP303AW01, BWNMN2SP303AW01, HWNBX2SP303NW22, HWNSX2SP303UW01, KWNMN2PP303BW33, KWNMN2PP303NW16, KWNMN2SP303BW33, KWNMN2SP303NW16, KWNSX2PP303EW01, KWNSX2PP303NW16, KWNSX2SP303EW01, KWNSX2SP303NW16, NWNBX2SP303LW01, NWNBX2SP303NW22, NWNBX2SP543NW23, NWNMN2SP303NW22, NWNMN2SP303WW01, NWNMN2SP543NW22, NWNMX2SP303NW22, PWNBX2PP303AG02, PWNBX2SP303AG01, SWNBX2SP303AW01, SWNBX2SP303LW01, SWNBX2SP303NQ22, SWNBX2SP303NW22, SWNMN2SP303AW01, SWNMN2SP303NW22, SWNMN2SP303SW01, SWNMN2SP303WW01, SWNSX2PP303AW01, SWNSX2SP303AW01, SWNSX2SP303BW01, SWNSX2SP303EW01, SWNSX2SP303NW22, SWNSX2SP303SQ01, SWNSX2SP303SW01, SWNSX2SP303UW01, SWNSX2SP303WW01, SWNSX2SP543NW22 and TWNBX2SP303NW22; Starting Serial No. 1810000001
	203742	Mixing Valve	GHT thread; Models HWNBX2SP543DW01 and SWNBX2SP543DW01; Starting Serial No. 1810000001
	203927	Mixing Valve	BSPP thread; Model SWNBX2SP113JW01; Starting Serial No. 1810000001
	203741	Mixing Valve	GHT thread; Models HWNBX2SP113FW01, HWNBX2SP123DW01, SWNBX2SP113FW01, SWNBX2SP123DW01, SWNSX2PP113FW01 and SWNSX2SP113FW01; Starting Serial No. 1810000001

Mixing Valve (Drawing 2 of 2)

Models HWNBC2PP115TQ01, HWNBC2PP115TW01, HWNBC2SP115TW01, HWNBD2SP115CW01, HWNBE2SP115CW01, HWNBX2SP115CW01, HWNBY2PP115TW01, HWNBY2SP115CW01, HWNBY2SP115TW01, HWNKC2SP115TW01, HWNKD2SP115CW01, HWNKE2SP115CW01, HWNKX2SP115CW01, HWNKY2SP115CW01, HWNMN2PP115TW01, HWNMN2SP115CW01, HWNMN2SP115TW01, HWNSX2PP115TQ01, HWNSX2PP115TW01, HWNSX2SP115CW01, HWNSX2SP115TW01, HWNZC2SP115TW01, KWNBX2SP115TW01, KWNMN2PP115TW01, KWNMN2SP115TW01, KWNSX2PP115TW01, KWNSX2SP115TW01, PWNBC2PP115TG02, PWNBC2PP115TW02, PWNBE2PP115CG02, PWNBE2PP115CW02, PWNBX2PP115CG02, PWNBX2PP115CW02, PWNBX2PP115TG02, PWNBX2PP115TW02, PWNSX2PP115CG02, PWNSX2PP115CW02, PWNSX2PP115TG02, PWNSX2PP115TW02, SWNBC2SP115TW02, SWNBX2SP115TQ02, SWNBX2SP115TW02, SWNBY2SP115TW01, SWNMN2SP115CW01, SWNMN2SP115TW01, SWNSX2SP115CW02, SWNSX2SP115TQ02, SWNSX2SP115TW02 and UWNMN2SP115CW01

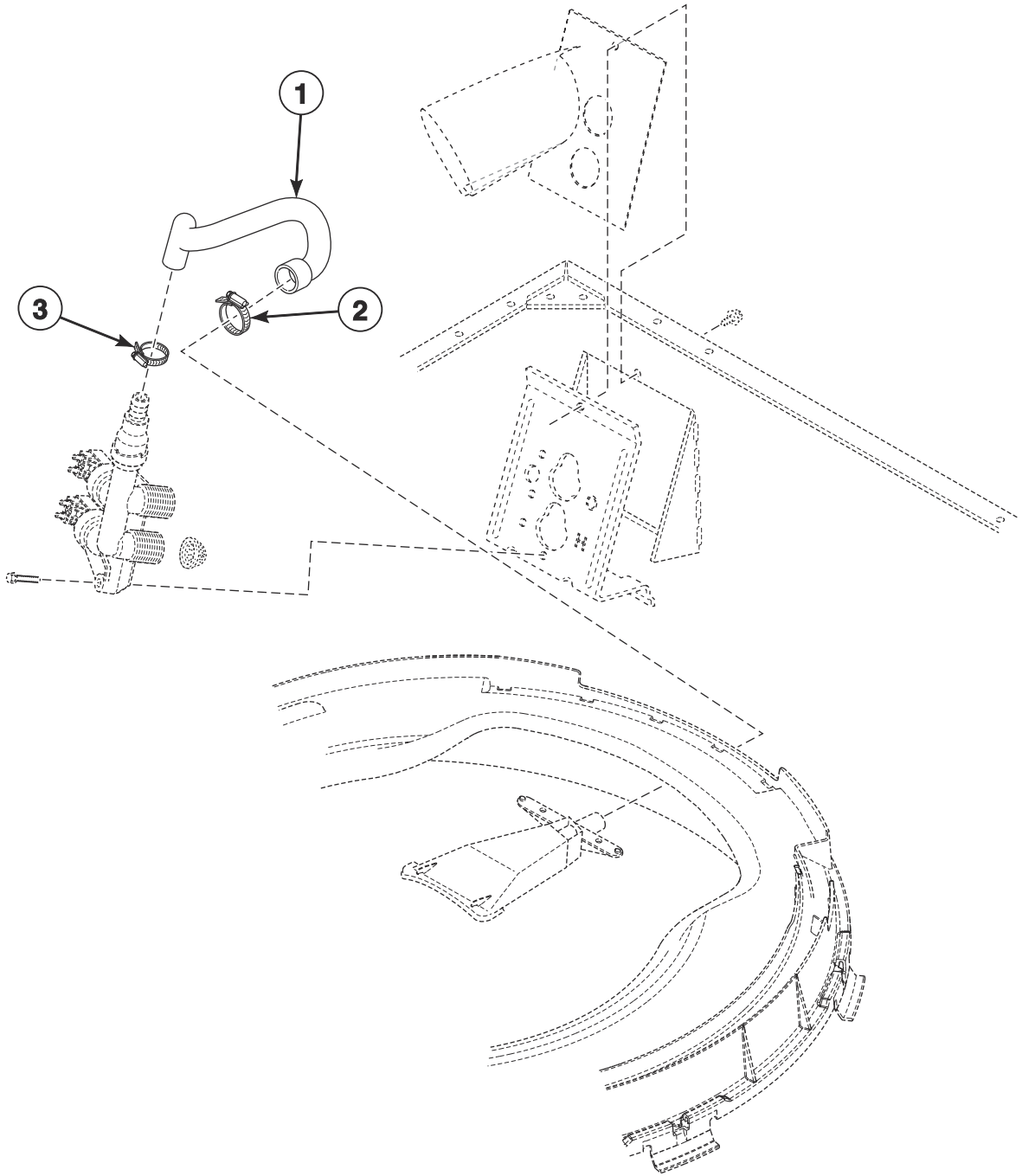


TLW1836P_204554

Mixing Valve (Drawing 2 of 2)

REF	PART NO.	DESCRIPTION	COMMENTS
1	202395P	Mixing Valve	GHT thread; Through Serial No. 1812016076
	203741	Mixing Valve	GHT thread; Starting Serial No. 1812016077

Mixing Valve-to-Inlet Hose

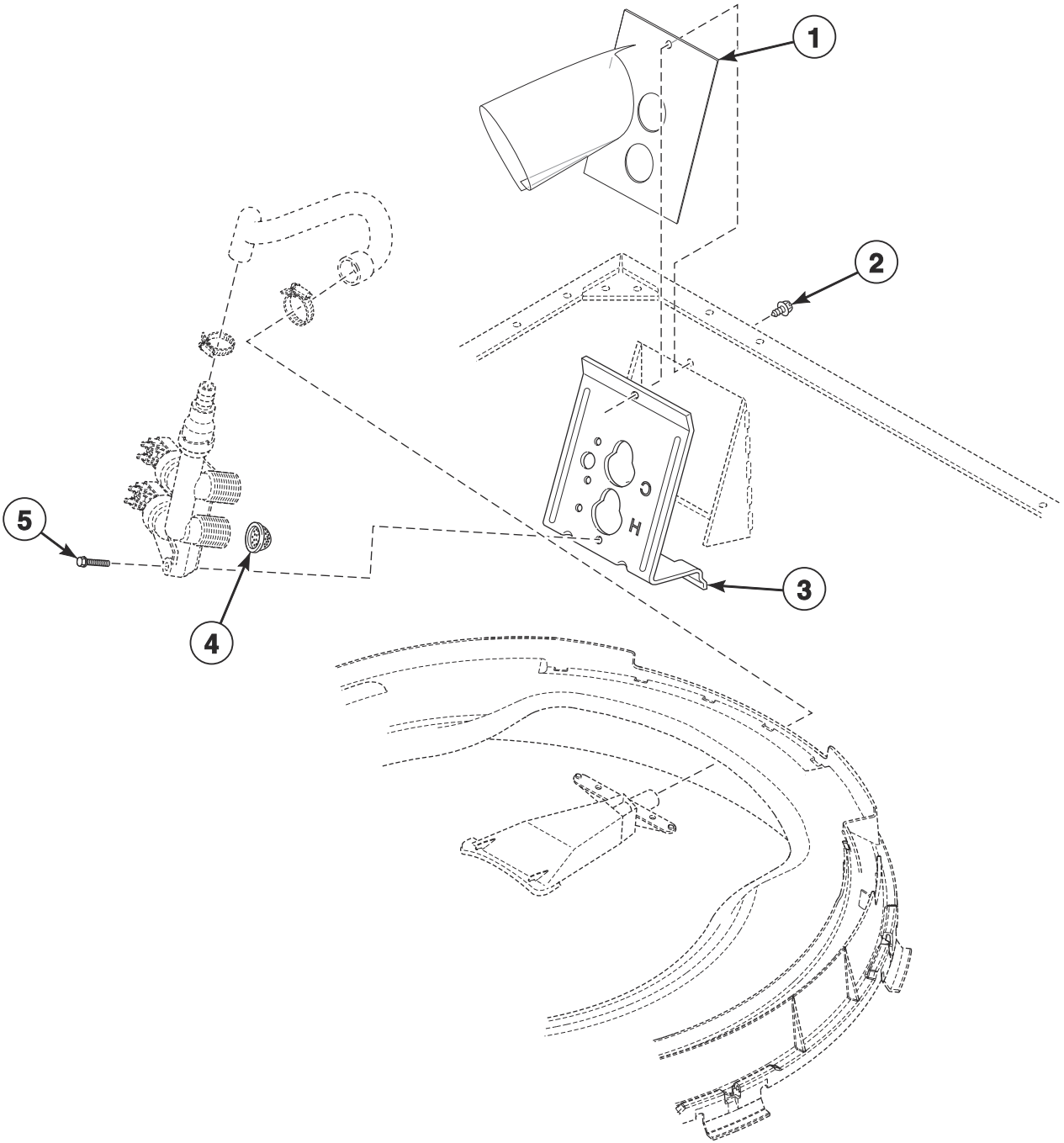


TLW1836PA_204554

Mixing Valve-to-Inlet Hose

REF	PART NO.	DESCRIPTION	COMMENTS
1	202884	Valve to Inlet Hose	Models HWNBC2PP115TQ01, HWNBC2PP115TW01, HWNBC2SP115TW01, HWNBD2SP115CW01, HWNBE2SP115CW01, HWNBX2SP115CW01, HWNBY2PP115TW01, HWNBY2SP115CW01, HWNBY2SP115TW01, HWNKC2SP115TW01, HWNKD2SP115CW01, HWNKE2SP115CW01, HWNKX2SP115CW01, HWNKY2SP115CW01, HWNMN2PP115TW01, HWNMN2SP115CW01, HWNMN2SP115TW01, HWNSX2PP115TQ01, HWNSX2PP115TW01, HWNSX2SP115CW01, HWNSX2SP115TW01, HWNZC2SP115TW01, KWNBX2SP115TW01, KWNMN2PP115TW01, KWNMN2SP115TW01, KWNSX2PP115TW01, KWNSX2SP115TW01, PWNBC2PP115TG02, PWNBC2PP115TW02, PWNBE2PP115CG02, PWNBE2PP115CW02, PWNBX2PP115CG02, PWNBX2PP115CW02, PWNBX2PP115TG02, PWNBX2PP115TW02, PWNSX2PP115CG02, PWNSX2PP115CW02, PWNSX2PP115TG02, PWNSX2PP115TW02, SWNBC2SP115TW02, SWNBX2SP115TQ02, SWNBX2SP115TW02, SWNBY2SP115TW01, SWNMN2SP115CW01, SWNMN2SP115TW01, SWNSX2SP115CW02, SWNSX2SP115TQ02, SWNSX2SP115TW02 and UWNMN2SP115CW01 starting Serial No. 1806000001 and continuing through Serial No. 1812016076; All other models starting Serial No. 1806000001 and continuing through Serial No. 1809999999
	204400	Valve to Inlet Hose	Models HWNBC2PP115TQ01, HWNBC2PP115TW01, HWNBC2SP115TW01, HWNBD2SP115CW01, HWNBE2SP115CW01, HWNBX2SP115CW01, HWNBY2PP115TW01, HWNBY2SP115CW01, HWNBY2SP115TW01, HWNKC2SP115TW01, HWNKD2SP115CW01, HWNKE2SP115CW01, HWNKX2SP115CW01, HWNKY2SP115CW01, HWNMN2PP115TW01, HWNMN2SP115CW01, HWNMN2SP115TW01, HWNSX2PP115TQ01, HWNSX2PP115TW01, HWNSX2SP115CW01, HWNSX2SP115TW01, HWNZC2SP115TW01, KWNBX2SP115TW01, KWNMN2PP115TW01, KWNMN2SP115TW01, KWNSX2PP115TW01, KWNSX2SP115TW01, PWNBC2PP115TG02, PWNBC2PP115TW02, PWNBE2PP115CG02, PWNBE2PP115CW02, PWNBX2PP115CG02, PWNBX2PP115CW02, PWNBX2PP115TG02, PWNBX2PP115TW02, PWNSX2PP115CG02, PWNSX2PP115CW02, PWNSX2PP115TG02, PWNSX2PP115TW02, SWNBC2SP115TW02, SWNBX2SP115TQ02, SWNBX2SP115TW02, SWNBY2SP115TW01, SWNMN2SP115CW01, SWNMN2SP115TW01, SWNSX2SP115CW02, SWNSX2SP115TQ02, SWNSX2SP115TW02 and UWNMN2SP115CW01 starting Serial No. 1812016077; All other models starting Serial No. 1810000001
2	800803	Hose Clamp	
3	36801	Hose Clamp	

Mixing Valve Bracket

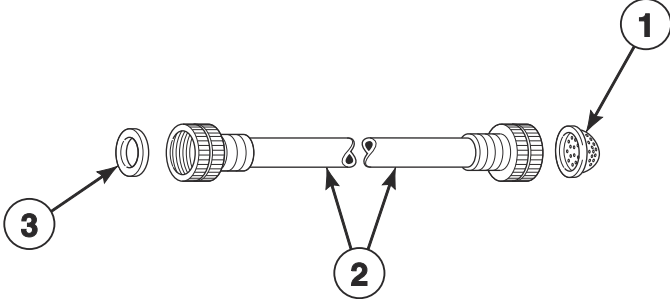


TLW1836PB_204554

Mixing Valve Bracket

REF	PART NO.	DESCRIPTION	COMMENTS
1	202899	Mixing Valve Shield	Models BWNBX2PP303AW01, BWNBX2SP303AW01, BWNMN2PP303AW01, BWNMN2SP303AW01, HWNBC2SP115TW01, HWNBX2SP113FW01, HWNBX2SP123DW01, HWNBX2SP543DW01, HWNSX2SP303UW01, KWNMN2PP303BW33, KWNMN2PP303NW16, KWNMN2SP303BW33, KWNMN2SP303NW16, KWNSX2PP303EW01, KWNSX2PP303NW16, KWNSX2SP303EW01, KWNSX2SP303NW16, NWNMN2SP303WW01, PWNBX2PP303AG02, PWNBX2SP303AG01, SWNBX2SP113FW01, SWNBX2SP113JW01, SWNBX2SP123DW01, SWNBX2SP303AW01, SWNBX2SP543DW01, SWNMN2SP303AW01, SWNMN2SP303SW01, SWNMN2SP303WW01, SWNSX2PP113FW01, SWNSX2PP303AW01, SWNSX2SP113FW01, SWNSX2SP303AW01, SWNSX2SP303BW01, SWNSX2SP303EW01, SWNSX2SP303SQ01, SWNSX2SP303SW01, SWNSX2SP303UW01 and SWNSX2SP303WW01
	204247	Mixing Valve Shield	Models NWNBX2SP303LW01 and SWNBX2SP303LW01
2	33562	Screw	
3	39407	Mixing Valve Mounting Bracket	Through Serial No. 1805999999
	204117	Mixing Valve Mounting Bracket	Models HWNBC2PP115TQ01, HWNBC2PP115TW01, HWNBC2SP115TW01, HWNBD2SP115CW01, HWNBE2SP115CW01, HWNBX2SP115CW01, HWNBY2PP115TW01, HWNBY2SP115CW01, HWNBY2SP115TW01, HWNKC2SP115TW01, HWNKD2SP115CW01, HWNKE2SP115CW01, HWNKX2SP115CW01, HWNKY2SP115CW01, HWNMN2PP115TW01, HWNMN2SP115CW01, HWNMN2SP115TW01, HWNSX2PP115TQ01, HWNSX2PP115TW01, HWNSX2SP115CW01, HWNSX2SP115TW01, HWNZC2SP115TW01, KWNBX2SP115TW01, KWNMN2PP115TW01, KWNMN2SP115TW01, KWNSX2PP115TW01, KWNSX2SP115TW01, PWNBC2PP115TG02, PWNBC2PP115TW02, PWNBE2PP115CG02, PWNBE2PP115CW02, PWNBX2PP115CG02, PWNBX2PP115CW02, PWNBX2PP115TG02, PWNBX2PP115TW02, PWNSX2PP115CG02, PWNSX2PP115CW02, PWNSX2PP115TG02, PWNSX2PP115TW02, SWNBC2SP115TW02, SWNBX2SP115TQ02, SWNBX2SP115TW02, SWNBY2SP115TW01, SWNMN2SP115CW01, SWNMN2SP115TW01, SWNSX2SP115CW02, SWNSX2SP115TQ02, SWNSX2SP115TW02 and UWNMN2SP115CW01 starting Serial No. 1806000001 and continuing through Serial No. 1812016076; All other models starting Serial No. 1806000001 and continuing through Serial No. 1809999999; Pressure sensor mounted here
	203558	Mixing Valve Mounting Bracket	Models HWNBC2PP115TQ01, HWNBC2PP115TW01, HWNBC2SP115TW01, HWNBD2SP115CW01, HWNBE2SP115CW01, HWNBX2SP115CW01, HWNBY2PP115TW01, HWNBY2SP115CW01, HWNBY2SP115TW01, HWNKC2SP115TW01, HWNKD2SP115CW01, HWNKE2SP115CW01, HWNKX2SP115CW01, HWNKY2SP115CW01, HWNMN2PP115TW01, HWNMN2SP115CW01, HWNMN2SP115TW01, HWNSX2PP115TQ01, HWNSX2PP115TW01, HWNSX2SP115CW01, HWNSX2SP115TW01, HWNZC2SP115TW01, KWNBX2SP115TW01, KWNMN2PP115TW01, KWNMN2SP115TW01, KWNSX2PP115TW01, KWNSX2SP115TW01, PWNBC2PP115TG02, PWNBC2PP115TW02, PWNBE2PP115CG02, PWNBE2PP115CW02, PWNBX2PP115CG02, PWNBX2PP115CW02, PWNBX2PP115TG02, PWNBX2PP115TW02, PWNSX2PP115CG02, PWNSX2PP115CW02, PWNSX2PP115TG02, PWNSX2PP115TW02, SWNBC2SP115TW02, SWNBX2SP115TQ02, SWNBX2SP115TW02, SWNBY2SP115TW01, SWNMN2SP115CW01, SWNMN2SP115TW01, SWNSX2SP115CW02, SWNSX2SP115TQ02, SWNSX2SP115TW02 and UWNMN2SP115CW01 starting Serial No. 1812016077; All other models starting Serial No. 1810000001; Pressure sensor mounted here
4	24122	Mixing Valve Screen	
5	39397	Screw	

Fill Hose



TLW1833P_204554

Fill Hose

REF	PART NO.	DESCRIPTION	COMMENTS
1	803615	Washer	Filter screen
	802254	Washer	Flow restrictor; Water pressure reducer; Available for water pressure up to but not exceeding 120 psi
2	203750	Fill Hose	Marked for cold water; 4 feet; 1 BSPP thread hose coupling and 1 GHT thread hose coupling
	203718	Fill Hose	Marked for hot water; 4 feet; 1 BSPP thread hose coupling and 1 GHT thread hose coupling
	203720	Fill Hose	Marked for cold water; 4 feet; 2 GHT thread hose couplings
	203719	Fill Hose	Marked for hot water; 4 feet; 2 GHT thread hose couplings
	204103	Fill Hose	Marked for cold water; 4 feet; 2 BSPP thread hose couplings
	204102	Fill Hose	Marked for hot water; 4 feet; 2 BSPP thread hose couplings
3	20290	Washer	

Motor, Belt, Pump and Idler Assembly (Drawing 1 of 2)

REF	PART NO.	DESCRIPTION	COMMENTS
1	34754	Motor Shield	
2	36639	Screw	
3	202544P	Motor Assembly	Models BWNBX2PP303AW01, BWNBX2SP303AW01, BWNMN2PP303AW01, BWNMN2SP303AW01, HWNBC2SP115TW01, HWNBX2SP303NW22, HWNSX2SP303UW01, KWNMN2PP303BW33, KWNMN2PP303NW16, KWNMN2SP303BW33, KWNMN2SP303NW16, KWNSX2PP303EW01, KWNSX2PP303NW16, KWNSX2SP303EW01, KWNSX2SP303NW16, NWNBX2SP303LW01, NWNBX2SP303NW22, NWNBX2SP543NW23, NWNMN2SP303NW22, NWNMN2SP303WW01, NWNMX2SP303NW22, PWNBX2PP303AG02, PWNBX2SP303AG01, SWNBX2SP303AW01, SWNBX2SP303LW01, SWNBX2SP303NQ22, SWNBX2SP303NW22, SWNMN2SP303AW01, SWNMN2SP303NW22, SWNMN2SP303SW01, SWNMN2SP303WW01, SWNSX2PP303AW01, SWNSX2SP303AW01, SWNSX2SP303BW01, SWNSX2SP303EW01, SWNSX2SP303NW22, SWNSX2SP303SQ01, SWNSX2SP303SW01, SWNSX2SP303UW01, SWNSX2SP303WW01 and TWNBX2SP303NW22
	202960	Motor Assembly	Models HWNBX2SP543DW01, NWNBX2SP543NW23, NWNMN2SP543NW22, SWNBX2SP543DW01 and SWNSX2SP543NW22
	202971	Motor Assembly	Models HWNBX2SP123DW01 and SWNBX2SP123DW01
	38034P	Motor Kit	All other models
4	52566	Nut	
5	201189	Idler Lever Spring	
	202032	Idler Lever Spring	Use on units experiencing low RPM
6	202333	Tube	Models BWNBX2PP303AW01, BWNBX2SP303AW01, BWNMN2PP303AW01, BWNMN2SP303AW01, HWNBC2SP115TW01, NWNBX2SP303LW01, PWNBX2PP303AG02, PWNBX2SP303AG01, SWNBX2SP303AW01, SWNMN2SP303AW01, SWNMN2SP303SW01, SWNSX2PP303AW01, SWNSX2SP303AW01, SWNSX2SP303SQ01 and SWNSX2SP303SW01
7	28803	Nut	
8	38011	Idler Lever	
9	81392	Washer	
10	27229	Screw	
11	210186	Idler Shaft	
12	D504082	Washer	
13	52549	Washer	Nylatron
14	23748	Retaining Ring	
15	38225P	Idler Pulley	
16	201566P	Pump	
	201442P	Pump Assembly	Heavy duty
17	RB150003	Belt and Pump Kit	Includes items 15 and 17
18	200923	Agitate and Spin Belt	Models BWNBX2PP303AW01, BWNBX2SP303AW01, BWNMN2PP303AW01, BWNMN2SP303AW01, HWNBC2SP115TW01, HWNBX2SP303NW22, HWNSX2SP303UW01, KWNMN2PP303BW33, KWNMN2PP303NW16, KWNMN2SP303BW33, KWNMN2SP303NW16, KWNSX2PP303EW01, KWNSX2PP303NW16, KWNSX2SP303EW01, KWNSX2SP303NW16, NWNBX2SP303LW01, NWNBX2SP303NW22, NWNBX2SP543NW23, NWNMN2SP303NW22, NWNMN2SP303WW01, NWNMX2SP303NW22, PWNBX2PP303AG02, PWNBX2SP303AG01, SWNBX2SP303AW01, SWNBX2SP303LW01, SWNBX2SP303NQ22, SWNBX2SP303NW22, SWNMN2SP303AW01, SWNMN2SP303NW22, SWNMN2SP303SW01, SWNMN2SP303WW01, SWNSX2PP303AW01, SWNSX2SP303AW01, SWNSX2SP303BW01, SWNSX2SP303EW01, SWNSX2SP303NW22, SWNSX2SP303SQ01, SWNSX2SP303SW01, SWNSX2SP303UW01, SWNSX2SP303WW01 and TWNBX2SP303NW22
	38174	Agitate and Spin Belt	All other models
19	210202	Spring Clip	

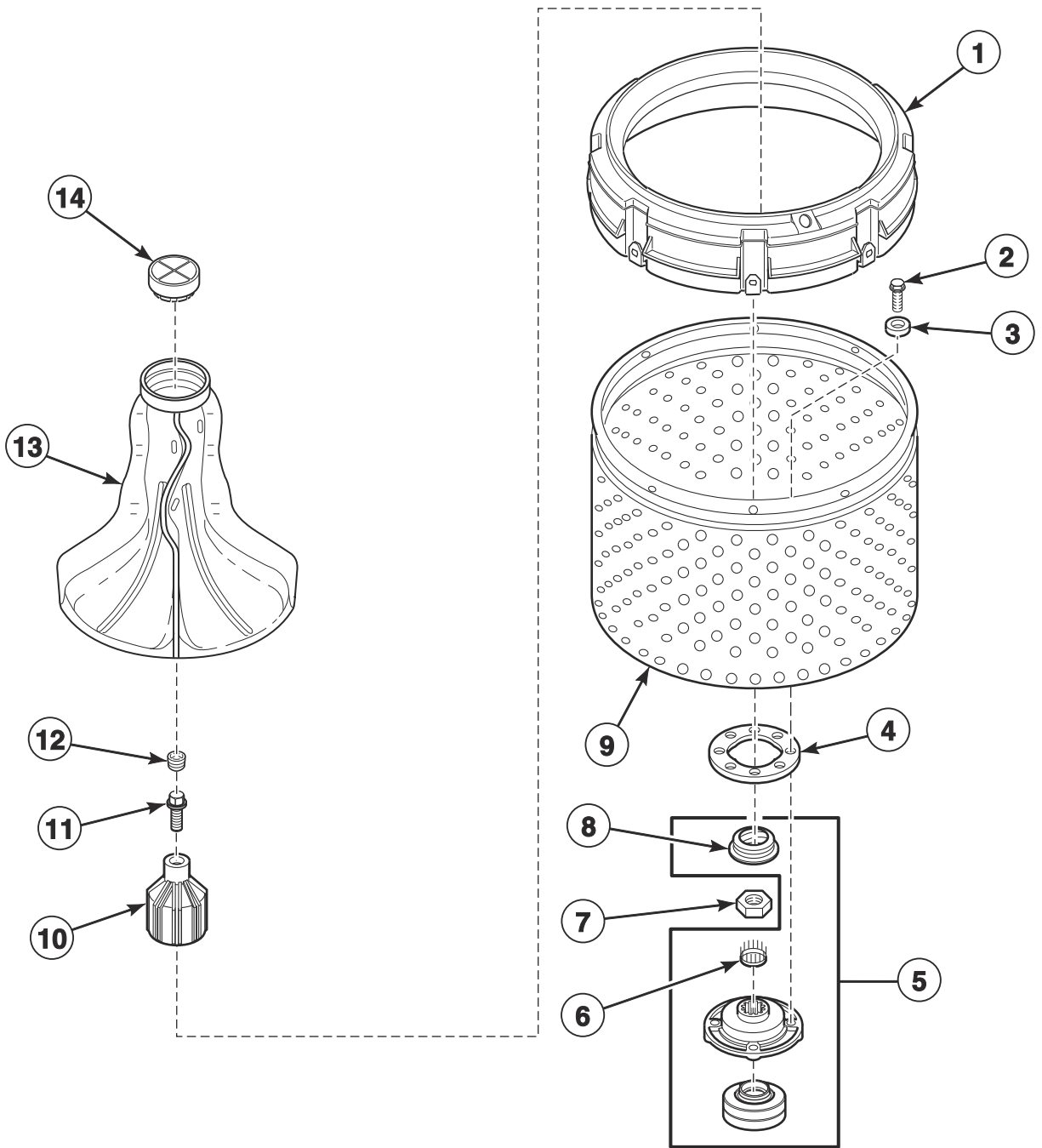
Motor, Belt, Pump and Idler Assembly (Drawing 2 of 2)

REF	PART NO.	DESCRIPTION	COMMENTS
1	203978	Screw	
2	37535	Capacitor Clamp	
3	204063	Motor Mount and Isolator Assembly	
4	35369	Screw	
5	35423	Nut	
6	204062	Motor Mount and Isolator Assembly	
7	200941	Motor Mount Bracket	
8	37772	Washer	
9	00177	Male Tab Terminal	Models BWNBX2PP303AW01, BWNBX2SP303AW01, BWNMN2PP303AW01, BWNMN2SP303AW01, HWNBC2SP115TW01, HWNSX2SP303UW01, KWNSX2PP303EW01, KWNSX2SP303EW01, NWNBX2SP303LW01, NWNMN2SP303WW01, PWNBX2PP303AG02, PWNBX2SP303AG01, SWNBX2SP303AW01, SWNMN2SP303AW01, SWNMN2SP303SW01, SWNMN2SP303WW01, SWNSX2PP303AW01, SWNSX2SP303AW01, SWNSX2SP303BW01, SWNSX2SP303EW01, SWNSX2SP303SQ01, SWNSX2SP303SW01, SWNSX2SP303UW01 and SWNSX2SP303WW01
10	20530	Screw	Models BWNBX2PP303AW01, BWNBX2SP303AW01, BWNMN2PP303AW01, BWNMN2SP303AW01, HWNBC2SP115TW01, HWNKC2SP115TW01, HWNKE2SP115CW01, HWNKX2SP115CW01, HWNSX2SP303UW01, HWNZC2SP115TW01, KWNMN2SP303BW33, KWNSX2PP303EW01, KWNSX2SP303EW01, NWNBX2SP303LW01, NWNMN2SP303WW01, PWNBX2PP303AG02, PWNBX2SP303AG01, SWNBX2SP303AW01, SWNMN2SP303AW01, SWNMN2SP303SW01, SWNMN2SP303WW01, SWNSX2PP303AW01, SWNSX2SP303AW01, SWNSX2SP303BW01, SWNSX2SP303EW01, SWNSX2SP303SQ01, SWNSX2SP303SW01, SWNSX2SP303UW01 and SWNSX2SP303WW01
11	203053	Motor Drip Shield	Through Serial No. 1811000001
12	203140	Capacitor	Models BWNBX2PP303AW01, BWNBX2SP303AW01, BWNMN2PP303AW01, BWNMN2SP303AW01, HWNBC2SP115TW01, HWNBX2SP543DW01, HWNSX2SP303UW01, KWNMN2PP303BW33, KWNSX2PP303EW01, KWNSX2SP303EW01, NWNBX2SP303LW01, NWNMN2SP303WW01, PWNBX2PP303AG02, PWNBX2SP303AG01, SWNBX2SP303AW01, SWNBX2SP303LW01, SWNBX2SP543DW01, SWNMN2SP303AW01, SWNMN2SP303SW01, SWNMN2SP303WW01, SWNSX2PP303AW01, SWNSX2SP303AW01, SWNSX2SP303BW01, SWNSX2SP303EW01, SWNSX2SP303SQ01, SWNSX2SP303SW01, SWNSX2SP303UW01 and SWNSX2SP303WW01
	203141	Capacitor	Models HWNBX2SP113FW01, HWNBX2SP123DW01, SWNBX2SP113FW01, SWNBX2SP113JW01, SWNBX2SP123DW01, SWNSX2PP113FW01 and SWNSX2SP113FW01
	39259P	Capacitor and Clamp Kit	Models HWNBX2SP303NW22, KWNMN2PP303NW16, KWNMN2SP303BW33, KWNMN2SP303NW16, KWNSX2PP303NW16, KWNSX2SP303NW16, NWNBX2SP303LW01, NWNBX2SP303NW22, NWNBX2SP543NW23, NWNMN2SP303NW22, NWNMN2SP543NW22, NWNSX2SP303NW22, SWNBX2SP303NQ22, SWNBX2SP303NW22, SWNMN2SP303NW22, SWNSX2SP303NW22, SWNSX2SP543NW22 and TWNBX2SP303NW22
	37377	Capacitor	All other models
13	52909	Screw	

Idler Lever Kits

REF	PART NO.	DESCRIPTION	COMMENTS
1	202032	Idler Lever Spring	
2	28803	Nut	
3	38011	Idler Lever	
4	81392	Washer	
5	27229	Screw	
6	210186	Idler Shaft	
7	D504082	Washer	
8	52549	Washer	Nylatron
9	23748	Retaining Ring	
10	38225P	Idler Pulley	
11	200923	Agitate and Spin Belt	Models BWNBX2PP303AW01, BWNBX2SP303AW01, BWNMN2PP303AW01, BWNMN2SP303AW01, HWNBC2SP115TW01, HWNBX2SP303NW22, HWNSX2SP303UW01, KWNMN2PP303BW33, KWNMN2PP303NW16, KWNMN2SP303BW33, KWNMN2SP303NW16, KWNSX2PP303EW01, KWNSX2PP303NW16, KWNSX2SP303EW01, KWNSX2SP303NW16, NWNBX2SP303LW01, NWNBX2SP303NW22, NWNBX2SP543NW23, NWNMN2SP303NW22, NWNMN2SP303WW01, NWNSX2SP303NW22, PWNBX2PP303AG02, PWNBX2SP303AG01, SWNBX2SP303AW01, SWNBX2SP303LW01, SWNBX2SP303NQ22, SWNBX2SP303NW22, SWNMN2SP303AW01, SWNMN2SP303NW22, SWNMN2SP303SW01, SWNMN2SP303WW01, SWNSX2PP303AW01, SWNSX2SP303AW01, SWNSX2SP303BW01, SWNSX2SP303EW01, SWNSX2SP303NW22, SWNSX2SP303SQ01, SWNSX2SP303SW01, SWNSX2SP303UW01, SWNSX2SP303WW01 and TWNBX2SP303NW22
	38174	Agitate and Spin Belt	All other models
12	202972	Idler Lever and Belt Kit	Models BWNBX2PP303AW01, BWNBX2SP303AW01, BWNMN2PP303AW01, BWNMN2SP303AW01, HWNBC2SP115TW01, HWNBX2SP303NW22, HWNSX2SP303UW01, KWNMN2PP303BW33, KWNMN2PP303NW16, KWNMN2SP303BW33, KWNMN2SP303NW16, KWNSX2PP303EW01, KWNSX2PP303NW16, KWNSX2SP303EW01, KWNSX2SP303NW16, NWNBX2SP303NW22, NWNBX2SP543NW23, NWNMN2SP303NW22, NWNMN2SP303WW01, NWNSX2SP303NW22, PWNBX2PP303AG02, PWNBX2SP303AG01, SWNBX2SP303AW01, SWNBX2SP303LW01, SWNBX2SP303NQ22, SWNBX2SP303NW22, SWNMN2SP303AW01, SWNMN2SP303NW22, SWNMN2SP303SW01, SWNMN2SP303WW01, SWNSX2PP303AW01, SWNSX2SP303AW01, SWNSX2SP303BW01, SWNSX2SP303EW01, SWNSX2SP303NW22, SWNSX2SP303SQ01, SWNSX2SP303SW01, SWNSX2SP303UW01, SWNSX2SP303WW01 and TWNBX2SP303NW22; Includes items 1-11
	959P3	Idler Lever Kit	All other models; Includes items 1-11

Agitator, Drive Bell, Hub and Lip Seal Kit and Washtub

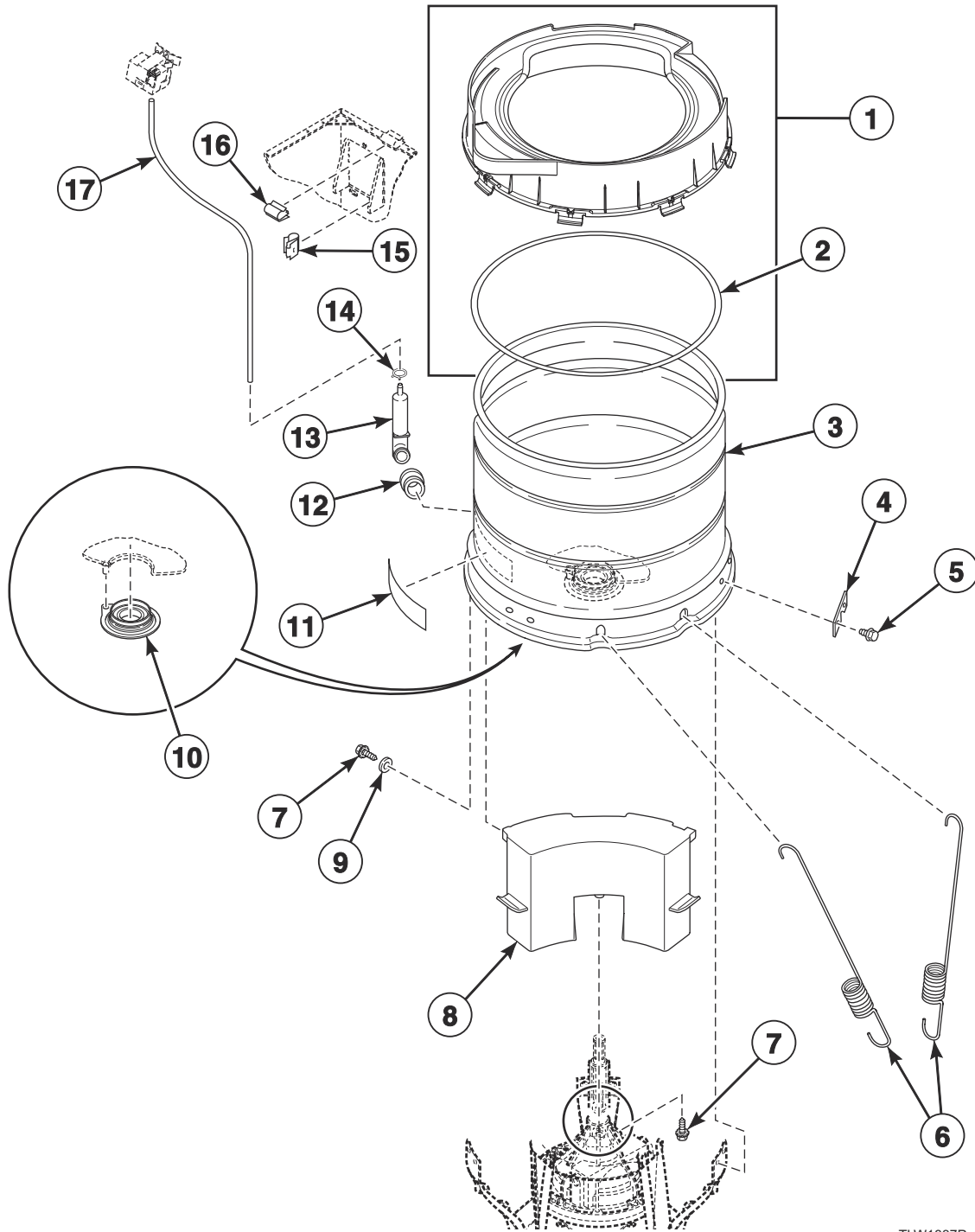


TLW1483P_204554

Agitator, Drive Bell, Hub and Lip Seal Kit and Washtub

REF	PART NO.	DESCRIPTION	COMMENTS
1	39837	Balance Ring Assembly	
2	27202	Screw	
3	28094	Washer	Rubber; Use with porcelain washtub
4	39122	Washtub Gasket	
5	766P3A	Hub and Lip Seal Kit	DO NOT use any sealant other than 200996P Sealant; Includes item 10 and installation tool
	200996P	Sealant	Use with hub and lip seal kit
6	29728	Spline Insert	
7	29220	Nut	
8	36425	Bell and Transmission Tube Seal	
	36765P	Grease	Use with bell and transmission tube seal
9	39250P	Tub Kit	Blue porcelain; Models BWNBX2PP303AW01, BWNMN2PP303AW01, HWNBC2PP115TQ01, HWNBC2PP115TW01, HWNBY2PP115TW01, HWNMN2PP115TW01, HWNSX2PP115TQ01, HWNSX2PP115TW01, KWNMN2PP115TW01, KWNMN2PP303NW16, KWNSX2PP115TW01, KWNSX2PP303EW01, KWNSX2PP303NW16, PWNBC2PP115TG02, PWNBC2PP115TW02, PWNBE2PP115CG02, PWNBE2PP115CW02, PWNBX2PP115CG02, PWNBX2PP115CW02, PWNBX2PP115TG02, PWNBX2PP115TW02, PWNBX2PP303AG02, PWNSX2PP115CG02, PWNSX2PP115CW02, PWNSX2PP115TG02, PWNSX2PP115TW02, SWNSX2PP113FW01 and SWNSX2PP303AW01
	719P3	Washtub Kit	Stainless steel; All other models
10	39508P	Drive Bell and Seal Kit	Includes items 8, 11 and 12
11	39432	Screw	
12	36511	Bell Plug	
13	36507	Flex Vane Agitator	Models SWNMN2SP303SW01, SWNSX2SP303SQ01 and SWNSX2SP303SW01
	33174	Agitator	All other models
14	36515	Agitator Cap	

Outer Tub, Cover, Bearing and Seal Housing and Counterweight

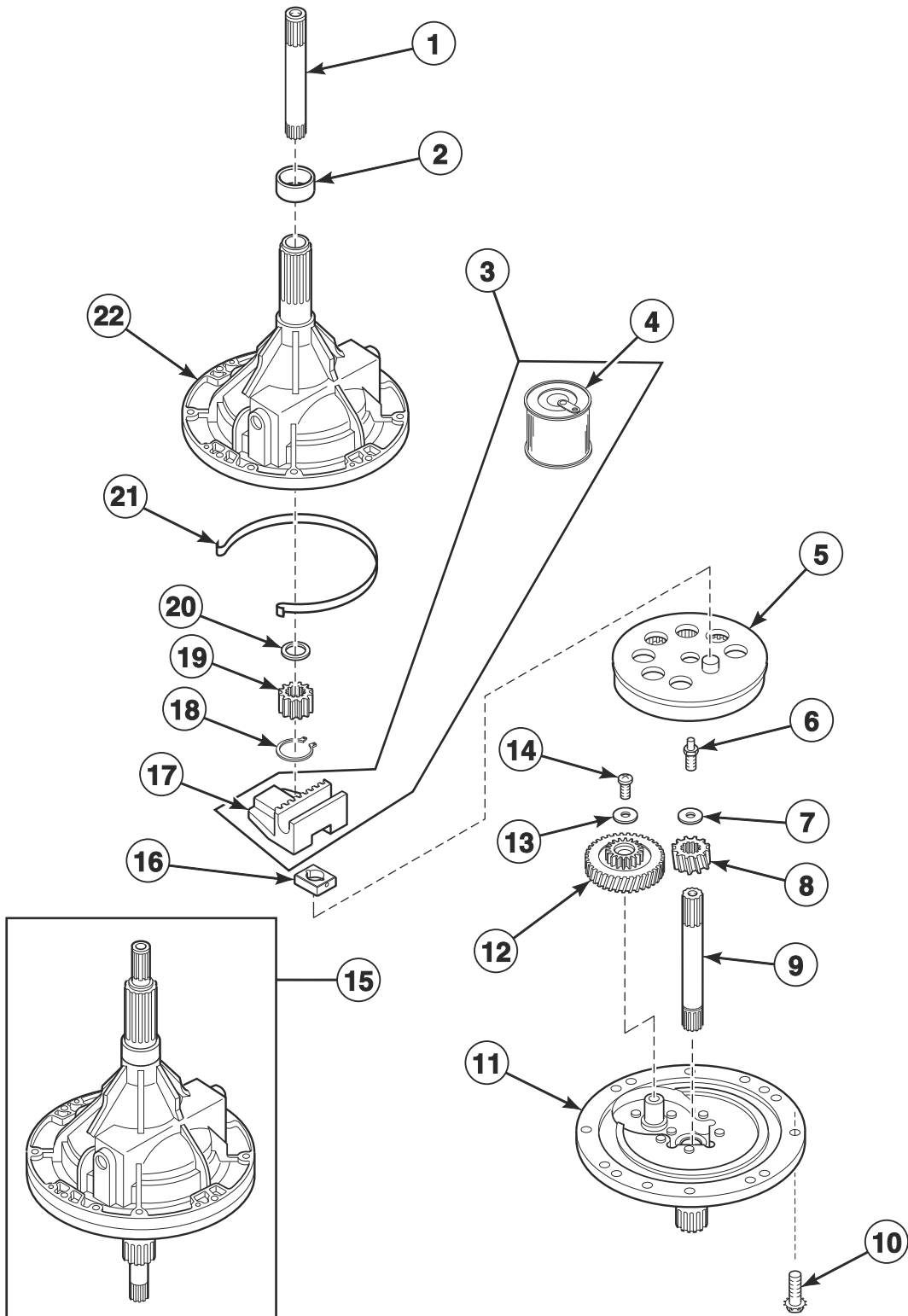


TLW1837P_204554

Outer Tub, Cover, Bearing and Seal Housing and Counterweight

REF	PART NO.	DESCRIPTION	COMMENTS
1	203539	Tub Cover Assembly	
2	38359	Tub Cover Gasket	
3	203603P	Outer Tub Assembly	
4	27926	Leg Plate	
5	35369	Screw	
6	201521	Leg Spring	Marked with green paint. Use to replace the two rear springs closest to counterweight; Models BWNBX2PP303AW01, BWNBX2SP303AW01, BWNMN2PP303AW01, BWNMN2SP303AW01, HWNBC2SP115TW01, HWNBX2SP303NW22, HWNBX2SP543DW01, HWNSX2SP303UW01, KWNMN2PP303BW33, KWNMN2PP303NW16, KWNMN2SP303BW33, KWNMN2SP303NW16, KWNSX2PP303EW01, KWNSX2PP303NW16, KWNSX2SP303EW01, KWNSX2SP303NW16, NWNBX2SP303LW01, NWNBX2SP303NW22, NWNBX2SP543NW23, NWNMN2SP303NW22, NWNMN2SP303WW01, NWNMN2SP543NW22, NWNSX2SP303NW22, PWNBX2PP303AG02, PWNBX2SP303AG01, SWNBX2SP303AW01, SWNBX2SP303LW01, SWNBX2SP303NQ22, SWNBX2SP303NW22, SWNBX2SP543DW01, SWNMN2SP303AW01, SWNMN2SP303NW22, SWNMN2SP303SW01, SWNMN2SP303WW01, SWNSX2PP303AW01, SWNSX2SP303AW01, SWNSX2SP303BW01, SWNSX2SP303EW01, SWNSX2SP303NW22, SWNSX2SP303SQ01, SWNSX2SP303SW01, SWNSX2SP303UW01, SWNSX2SP303WW01, SWNSX2SP543NW22 and TWNBX2SP303NW22
	37575	Leg Spring	
7	39566	Screw	
8	38769	Counterweight Assembly	
9	39249	Washer	
10	766P3A	Hub and Lip Seal Kit	
	200996P	Sealant	Use with hub and lip seal kit
11	F8615701	Pinch Warning Label	Icon
	D500049	Warning Label	English
	D500314	Warning Label	English/French
12	29175	Grommet	
13	30907	Pressure Bulb	
14	39282	Hose Clamp	
15	36985	Hose Clip	
16	21036	Cable Clip	
17	202700	Tubing	Through Serial No. 1806000001
	203802	Tubing	Starting Serial No. 1806000001

Transmission Assembly

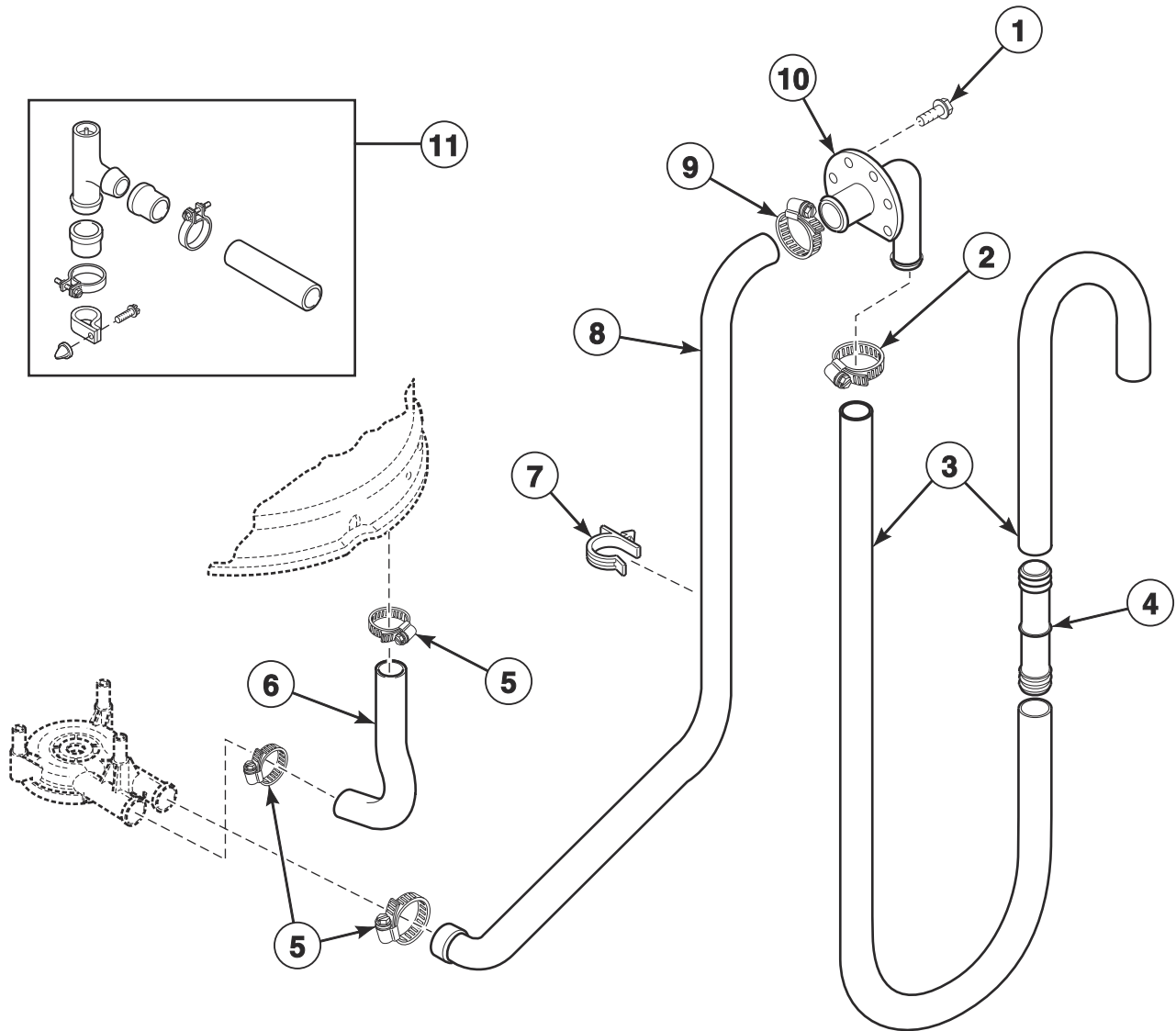


TLW1720P_204554

Transmission Assembly

REF	PART NO.	DESCRIPTION	COMMENTS
	27604P	Anti-Seize Compound	Apply to the smooth area of both the upper and lower transmission shafts
	37577P	Transmission Sealant	Use between transmission case and cover
1	36570P	Output Shaft	
2	201212	Hub Spacer	
3	RB150004	Transmission Rebuild Kit	Includes 37577P Transmission Sealant
4	27243P	Transmission Oil	1 fill
5	26577	Gear and Stud Assembly	
6	201773	Screw	
7	26509	Washer	
8	37405	Drive Pinion	
9	38268P	Input Shaft	
10	32814	Screw	
11	37471	Transmission Cover Assembly	
12	37404P	Reduction Gear	
13	29260	Washer	
14	29273	Screw	
15	38165P	Transmission Assembly	
16	26493	Slide	
17	201664	Rack	
18	27197	Retaining Ring	
19	27003	Agitator Pinion	
20	35092	Washer	
21	38864	Gear Sleeve	
22	33223P	Transmission Case Assembly	

Drain Hoses and Siphon Break Kit

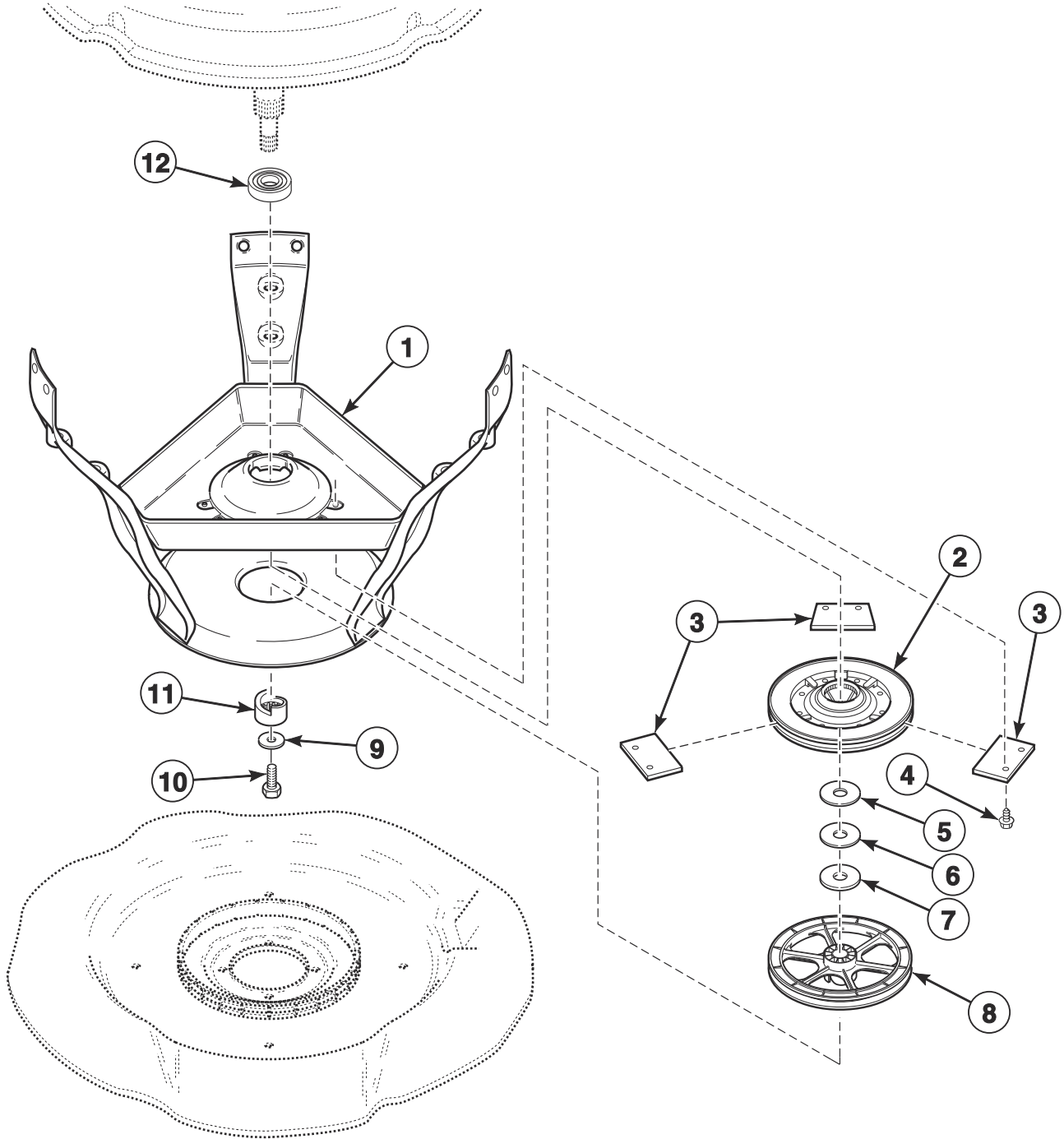


W354P_204554

Drain Hoses and Siphon Break Kit

REF	PART NO.	DESCRIPTION	COMMENTS
	451P3	Drain Extension Kit	
1	52909	Screw	
2	20211	Hose Clamp	
3	28293	Drain Hose	
4	25863	Hose Coupler	If drain hose must be shortened, cut hose between molded end and molded elbow; Use one hose coupler to splice hose
5	F200204	Hose Clamp	
6	38351	Tub-to-Pump Hose	
7	39177	Hose Retainer Clip	
8	38273	Pump-to-Drain Elbow Hose	
9	20391	Hose Clamp	
10	35766	Drain Hose Elbow	Models BWNBX2PP303AW01, BWNBX2SP303AW01, BWNMN2PP303AW01, BWNMN2SP303AW01, HWNBC2SP115TW01, HWNBX2SP303NW22, HWNSX2SP303UW01, KWNMN2PP303BW33, KWNMN2PP303NW16, KWNMN2SP303BW33, KWNMN2SP303NW16, KWNSX2PP303EW01, KWNSX2PP303NW16, KWNSX2SP303EW01, KWNSX2SP303NW16, NWNBX2SP303LW01, NWNBX2SP303NW22, NWNBX2SP543NW23, NWNMN2SP303NW22, NWNMN2SP303WW01, NWNSX2SP303NW22, PWNBX2PP303AG02, PWNBX2SP303AG01, SWNBX2SP303AW01, SWNBX2SP303LW01, SWNBX2SP303NQ22, SWNBX2SP303NW22, SWNMN2SP303AW01, SWNMN2SP303NW22, SWNMN2SP303SW01, SWNMN2SP303WW01, SWNSX2PP303AW01, SWNSX2SP303AW01, SWNSX2SP303BW01, SWNSX2SP303EW01, SWNSX2SP303NW22, SWNSX2SP303SQ01, SWNSX2SP303SW01, SWNSX2SP303UW01, SWNSX2SP303WW01 and TWNBX2SP303NW22
	36990	Drain Hose Elbow	All other models
11	562P3	Siphon Break Kit	Siphon break kit must be installed in drain hose if drain receptacle is lower than cabinet top of washer

Weldment and Bearing Assembly, Brake and Pulley

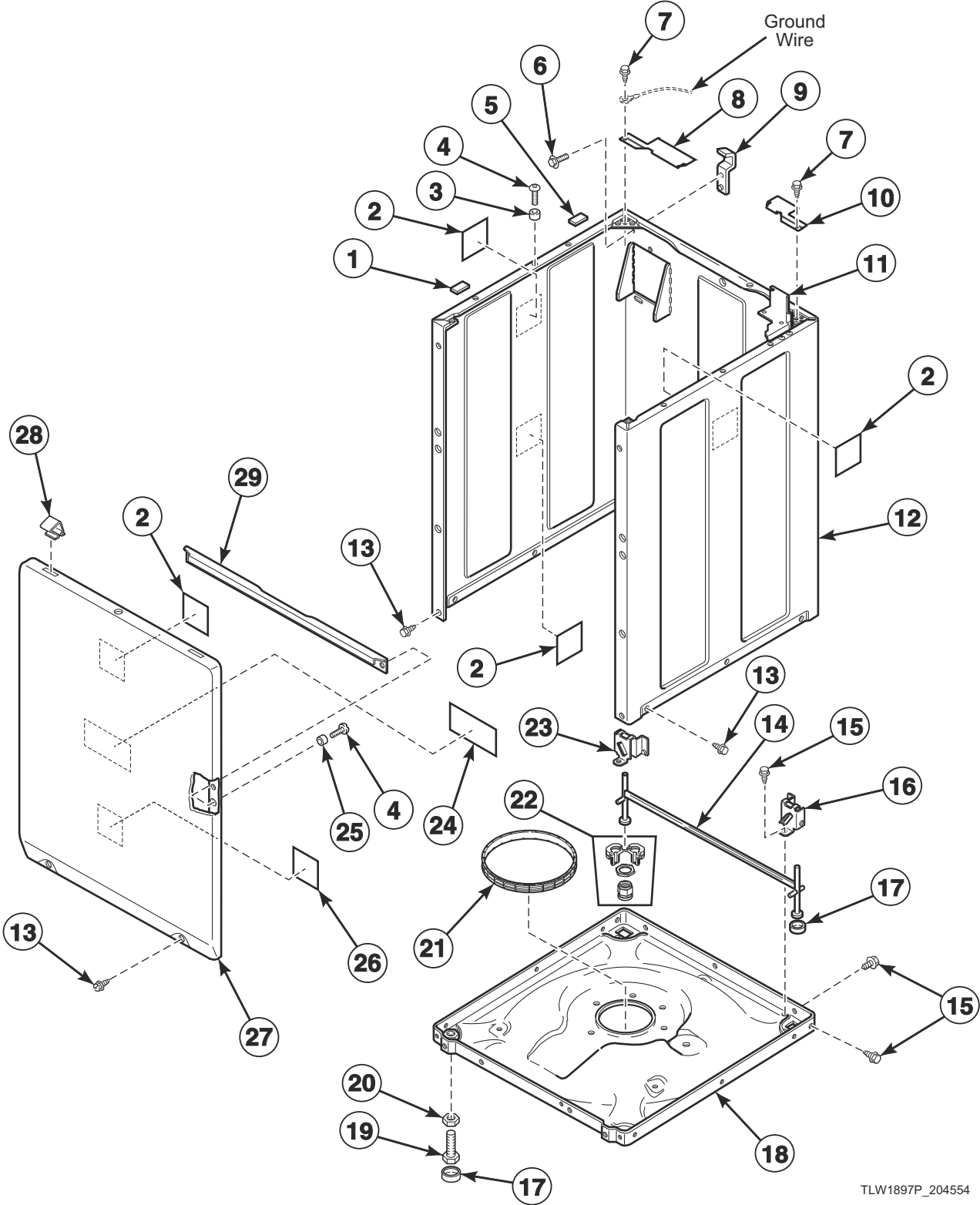


TLW1841P_204554

Weldment and Bearing Assembly, Brake and Pulley

REF	PART NO.	DESCRIPTION	COMMENTS
1	39253	Weldment and Bearing Assembly	
2	38505P	Brake Kit	
3	735P3	Brake Pad Kit	Includes 3 pads
	204253	Silicone Grease	Apply small amount to each new brake pad
4	39739	Screw	
5	35535	Washer	Thin
6	27015	Washer	Thick
7	203950	Washer	
	204253	Silicone Grease	Apply small amount to washer
8	204942	Pulley	Models BWNBX2PP303AW01, BWNBX2SP303AW01, BWNMN2PP303AW01, BWNMN2SP303AW01, HWNBX2SP303NW22, HWNSX2SP303UW01, KWNMN2PP303BW33, KWNMN2PP303NW16, KWNMN2SP303BW33, KWNMN2SP303NW16, KWNSX2PP303EW01, KWNSX2PP303NW16, KWNSX2SP303EW01, KWNSX2SP303NW16, NWNBX2SP303LW01, NWNBX2SP303NW22, NWNMN2SP303NW22, NWNMN2SP303WW01, NWNSX2SP303NW22, PWNBX2PP303AG02, PWNBX2SP303AG01, SWNBX2SP303AW01, SWNBX2SP303NQ22, SWNBX2SP303NW22, SWNMN2SP303AW01, SWNMN2SP303NW22, SWNMN2SP303SW01, SWNMN2SP303WW01, SWNSX2PP303AW01, SWNSX2SP303AW01, SWNSX2SP303BW01, SWNSX2SP303EW01, SWNSX2SP303NW22, SWNSX2SP303SQ01, SWNSX2SP303SW01, SWNSX2SP303UW01, SWNSX2SP303WW01 and TWNBX2SP303NW22
	204486	Pulley	All other models
9	26509	Washer	
10	27220	Screw	
11	38008	Helix	
12	28944RP	Lower Bearing	

Front Panel, Base Assembly and Cabinet Kit

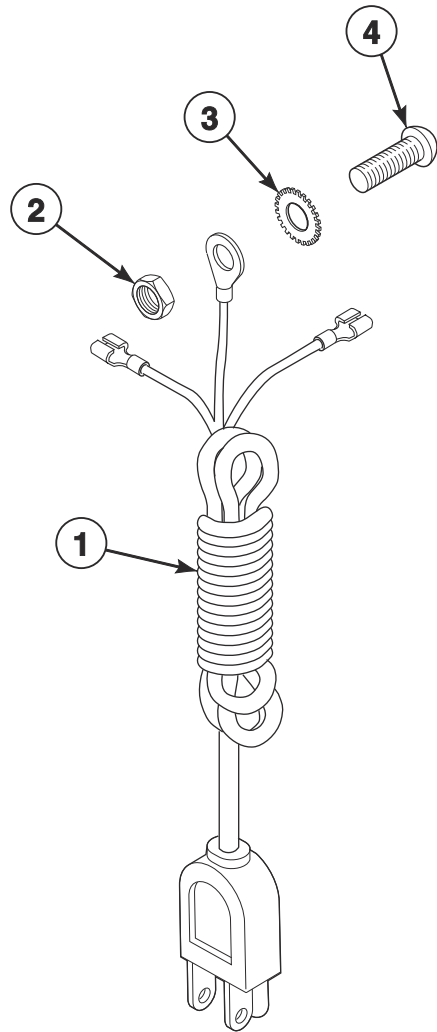


TLW1897P_204554

Front Panel, Base Assembly and Cabinet Kit

REF	PART NO.	DESCRIPTION	COMMENTS
	122P4P	Porcelain Touch-Up Paint	White
	370P4P	Porcelain Touch-Up Paint	Bisque
	806436P	Paint	Dark gray
	803260	Warning Label	English/French; Disconnect power
	F8211201	Electrical Shock Label	Icon; Electric shock
	D516073	Notice Label	Icon; Read instructions
1	56128	Bumper Pad	
2	39480	Foam Pad	
3	56079	Panel Locator	
4	39733	Screw	
5	36226	Bumper Pad	
6	D501524	Screw	
7	D501086	Screw	
8	204245	EMI Bracket	Left; Models BWNMN2SP303AW01, KWNMN2SP303BW33, NWNMN2SP303WW01, SWNMN2SP303AW01, SWNMN2SP303SW01 and SWNMN2SP303WW01
9	27103	Hold-Down Lug Hinge	
10	204246	EMI Bracket	Right; Models BWNMN2SP303AW01, KWNMN2SP303BW33, NWNMN2SP303WW01, SWNMN2SP303AW01, SWNMN2SP303SW01 and SWNMN2SP303WW01
11	35915	Meter Case Mounting Bracket Assembly	
12	38612WP	Service Cabinet Kit	White
	38612QP	Service Cabinet Kit	Bisque
	38612DG	Service Cabinet Kit	Dark gray
13	27196	Screw	Slotted hex head
	431287	Screw	Torx head
14	34443	Leg and Stabilizer Assembly	
15	35148	Screw	
16	36036	Bracket	Right
17	34318	Rubber Foot	
18	39788	Base Assembly	
19	34319	Leveling Leg	
20	21899	Nut	
21	37937	Friction Ring	
22	566P3	Adjustable Leg Extension Kit	Provides adjustment capabilities to rear self-leveling legs
23	36037	Bracket	Left
24	36204	Front Panel Pad	
25	28102	Panel Locator	
26	203484	Foam Pad	
27	204870	Front Panel	White
	38335QP	Front Panel	Bisque
	38335DG	Front Panel	Dark gray
28	35865	Hold-Down Clip	
29	35097	Front Panel Brace	

Lead-In Cord

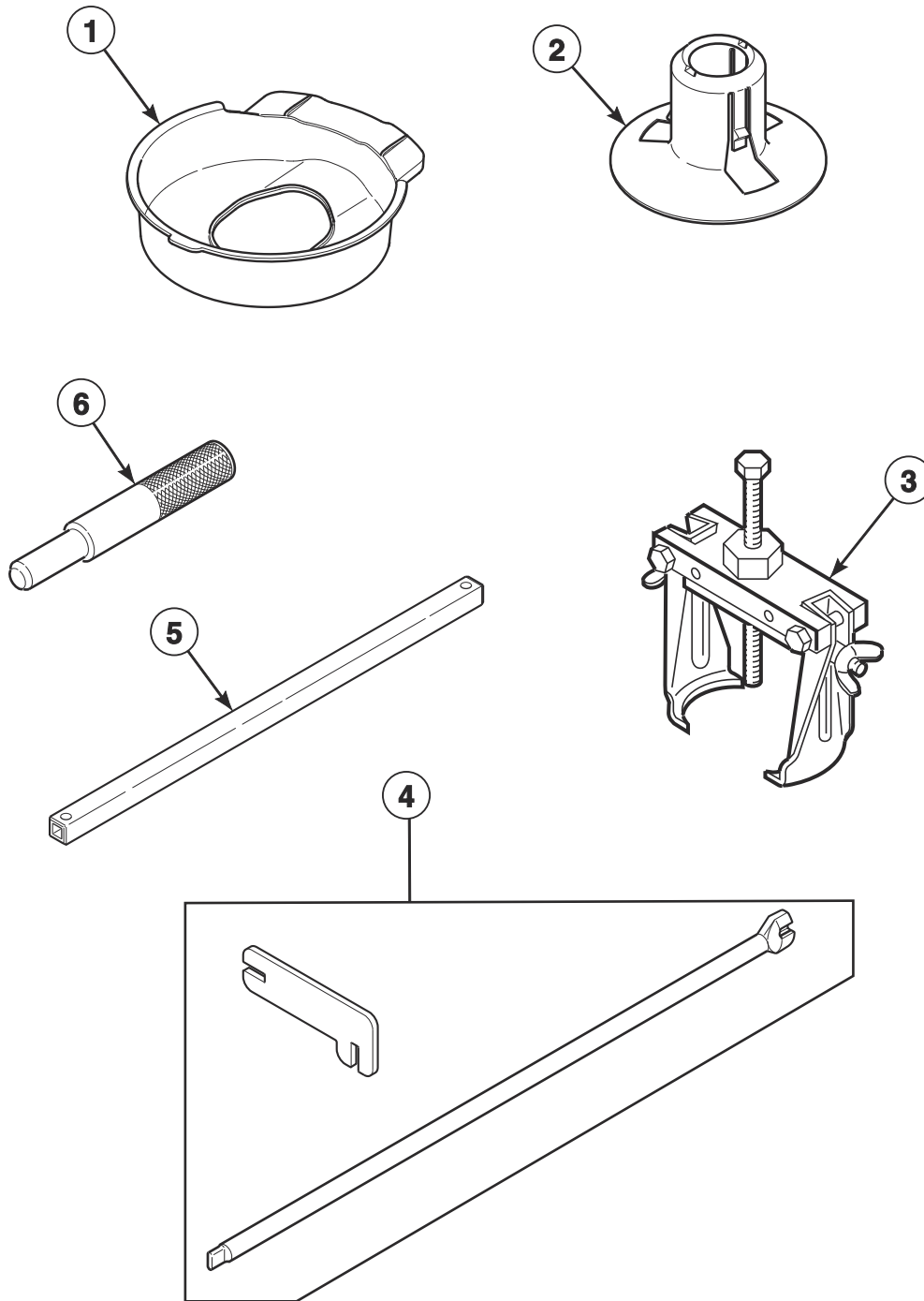


TLW1089P_204554

Lead-In Cord

REF	PART NO.	DESCRIPTION	COMMENTS
1	203120	Lead-In Cord	Models BWNBX2PP303AW01, BWNBX2SP303AW01, BWNMN2PP303AW01, BWNMN2SP303AW01, HWNBC2SP115TW01, PWNBX2PP303AG02, PWNBX2SP303AG01, SWNBX2SP303AW01, SWNMN2SP303AW01, SWNSX2PP303AW01 and SWNSX2SP303AW01
	203108	Lead-In Cord	Models SWNMN2SP303SW01, SWNSX2SP303SQ01 and SWNSX2SP303SW01
	203119	Power Cord Assembly	Models KWNSX2PP303EW01, KWNSX2SP303EW01, NWNMN2SP303WW01, SWNMN2SP303WW01, SWNSX2SP303EW01 and SWNSX2SP303WW01
	203122	Lead-In Cord	Models HWNBX2SP113FW01, SWNBX2SP113FW01, SWNSX2PP113FW01 and SWNSX2SP113FW01
	203345	Lead-In Cord	Models HWNBX2SP303NW22, KWNMN2PP303BW33, KWNMN2PP303NW16, KWNMN2SP303NW16, KWNSX2PP303NW16, KWNSX2SP303NW16, NWNBX2SP303NW22, NWNBX2SP543NW23, NWNMN2SP303NW22, NWNMN2SP543NW22, NWNSX2SP303NW22, SWNBX2SP303NQ22, SWNBX2SP303NW22, SWNMN2SP303NW22, SWNSX2SP303NW22, SWNSX2SP543NW22 and TWNBX2SP303NW22
	203106	Lead-In Cord Assembly	Models HWNBX2SP123DW01, HWNBX2SP543DW01, SWNBX2SP123DW01 and SWNBX2SP543DW01
	203121	Lead-In Cord	Model HWNSX2SP303UW01
	203309	Lead-In Cord	Model SWNBX2SP113JW01
	203717	Lead-In Cord	Models KWNMN2SP303BW33 and SWNSX2SP303BW01
	203315	Lead-In Cord	Models NWNBX2SP303LW01 and SWNBX2SP303LW01
	202777	Lead-In Cord	All other models
2	03673	Nut	
3	21735	Washer	
4	20267	Screw	

Shipping Materials and Special Tools

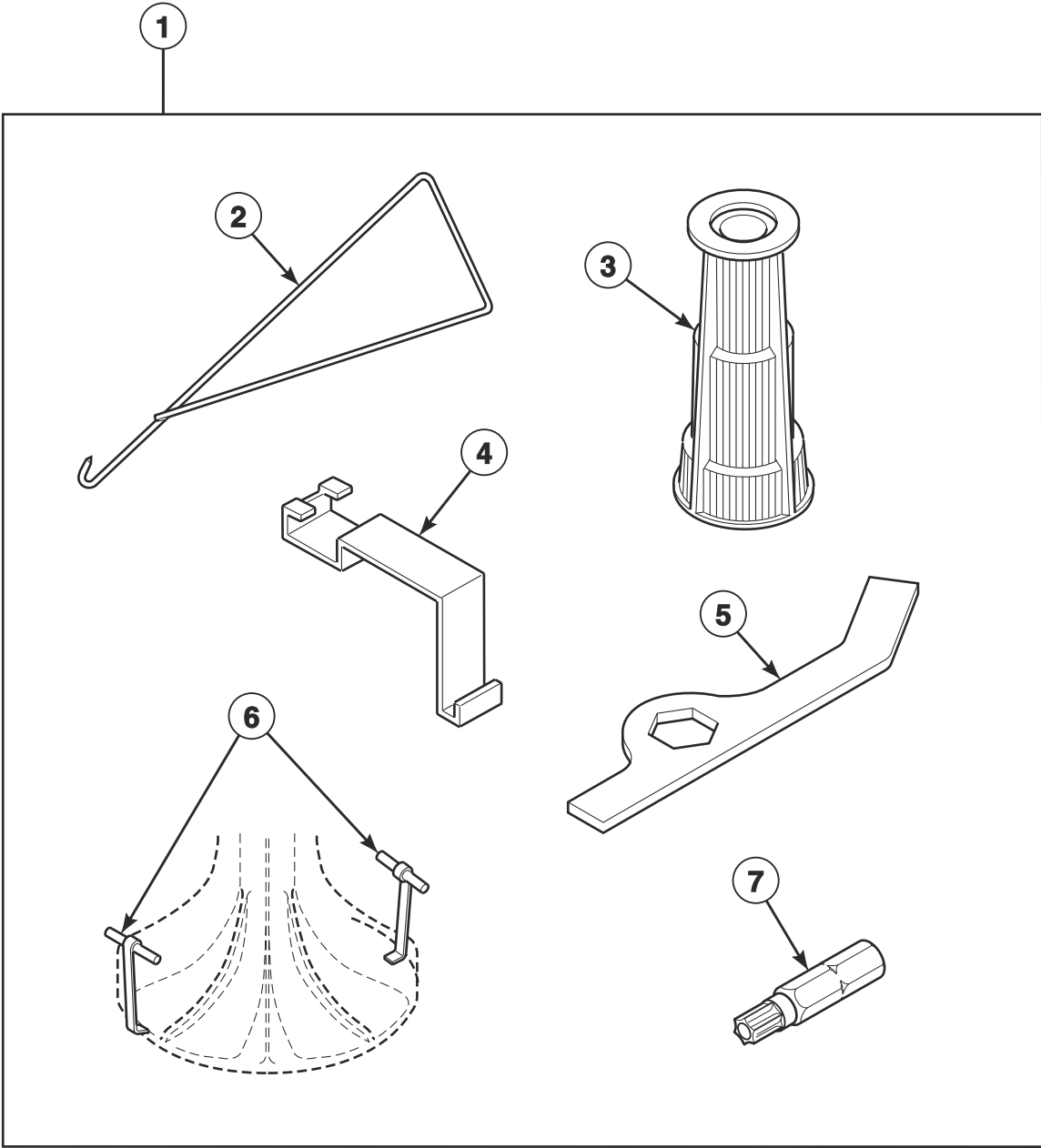


TLW1834P_204554

Shipping Materials and Special Tools

REF	PART NO.	DESCRIPTION	COMMENTS
1	203517	Shipping Brace	Install whenever moving washer; Remove before use
2	38149	Shipping Plug	Install whenever moving washer; Remove before use
3	294P4	Agitator Drive Bell Puller	For removal and installation of drive bell to transmission shaft
4	CK096	Mounting Tool Kit	Use to install and remove electronic coin drops
5	310P4	Ratchet Extension Tool	1/4 inch; Use to install and remove non-electronic coin drops
6	305P4	Transmission Pin Tool	Use pin tools in place of dowel pins when reassembling transmission cover and case; 2 required

Special Tools



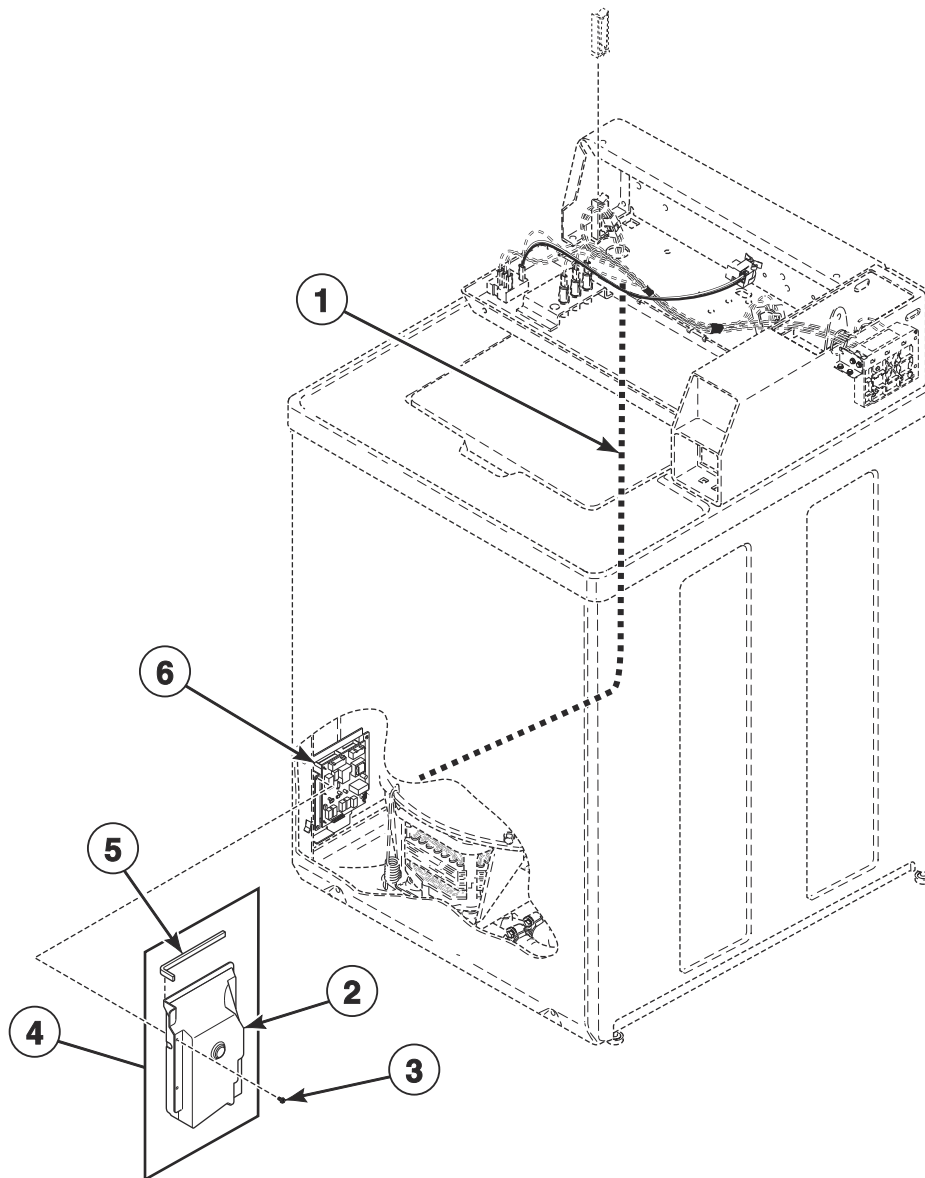
TLW1845P_204554

Special Tools

REF	PART NO.	DESCRIPTION	COMMENTS
1	725P3	Tool Kit	Includes items 2-7
2	321P4	Spring Hook Tool	For removal of centering springs from outer tub
3	293P4	Drive Bell Seal Tool	For installation of 36426 Bell and Transmission Tube Seal
4	273P4	Tub Cover Removal Tool	Use to install 38359 Tub Cover Gasket in outer tub cover
5	306P4	Hex Wrench Tool	For removal of locknut from washtub hub
6	254P4P	Agitator Hook	Use to remove agitator from drive bell; Set of 2
7	281P4	Torx Bit	T15; For removal and installation of control hood security screws
	282P4	Torx Bit	T25; For removal and installation of front panel security screws

Output Board, Wire Harnesses and Wires (Drawing 1 of 3)

Models BWNMN2PP303AW01, BWNMN2SP303AW01, HWNMN2PP115TW01, HWNMN2SP115CW01, HWNMN2SP115TW01, HWNSX2PP115TQ01, HWNSX2PP115TW01, HWNSX2SP115CW01, HWNSX2SP115TW01, HWNSX2SP303UW01, KWNMN2PP115TW01, KWNMN2PP303BW33, KWNMN2PP303NW16, KWNMN2SP115TW01, KWNMN2SP303BW33, KWNMN2SP303NW16, KWNSX2PP115TW01, KWNSX2PP303EW01, KWNSX2PP303NW16, KWNSX2SP115TW01, KWNSX2SP303EW01, KWNSX2SP303NW16, NWNMN2SP303NW22, NWNMN2SP303WW01, NWNMN2SP543NW22, NWNSX2SP303NW22, PWNSX2PP115CG02, PWNSX2PP115CW02, PWNSX2PP115TG02, PWNSX2PP115TW02, SWNMN2SP115CW01, SWNMN2SP115TW01, SWNMN2SP303AW01, SWNMN2SP303NW22, SWNMN2SP303SW01, SWNMN2SP303WW01, SWNSX2PP113FW01, SWNSX2PP303AW01, SWNSX2SP113FW01, SWNSX2SP115CW02, SWNSX2SP115TQ02, SWNSX2SP115TW02, SWNSX2SP303AW01, SWNSX2SP303BW01, SWNSX2SP303EW01, SWNSX2SP303NW22, SWNSX2SP303SQ01, SWNSX2SP303SW01, SWNSX2SP303UW01, SWNSX2SP303WW01, SWNSX2SP543NW22 and UWNMN2SP115CW01



TLW1835P_204554

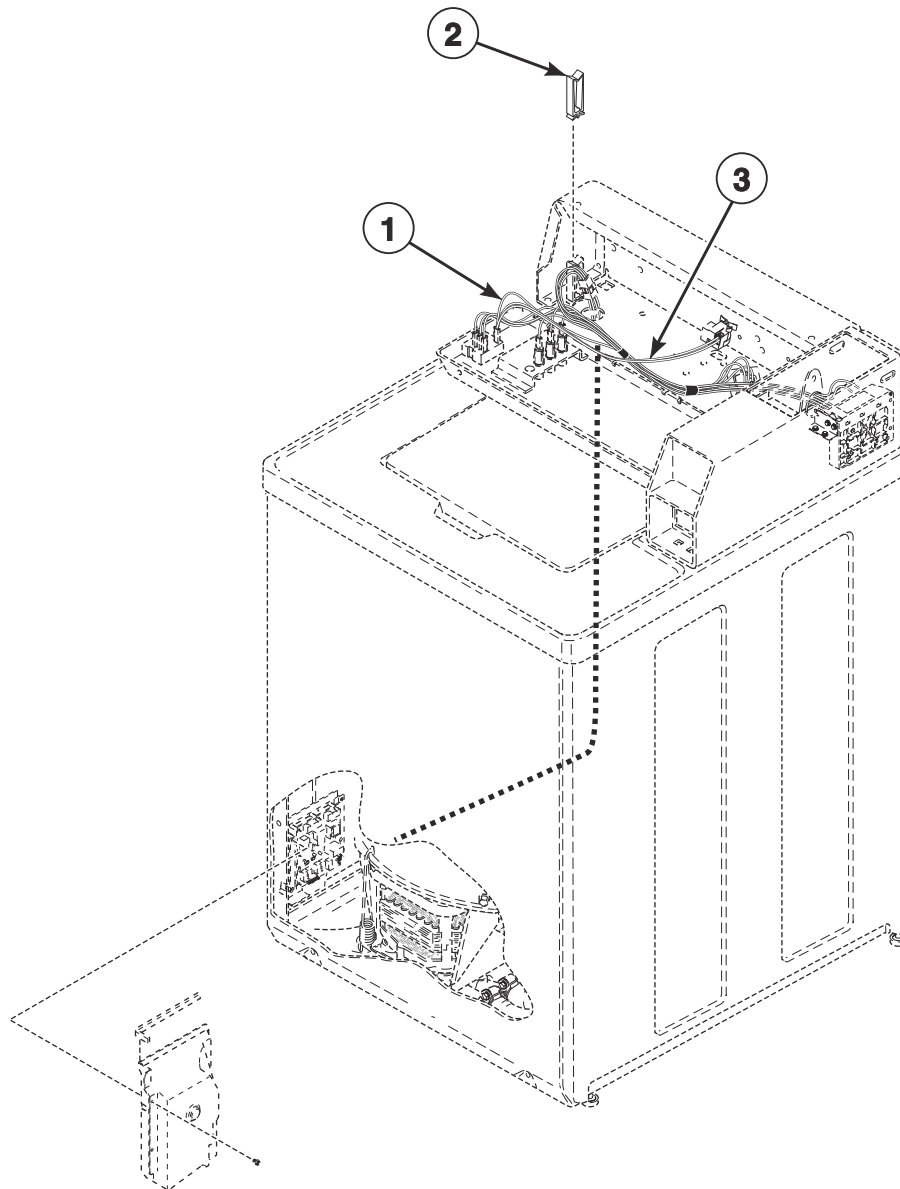
Output Board, Wire Harnesses and Wires (Drawing 1 of 3)

REF	PART NO.	DESCRIPTION	COMMENTS
	45001	18 Gauge Wire	Black; Order wire by foot and terminals as required
	45380	12 Gauge Wire	Orange; Order wire by foot and terminals as required
1	203472	Control Harness	Models HWNSX2SP303UW01, KWNSX2PP303EW01, KWNSX2SP303EW01, SWNSX2SP303EW01 and SWNSX2SP303UW01 through Serial No. 1912999999
	204795	Control Harness	Models HWNSX2SP303UW01, KWNSX2PP303EW01, KWNSX2SP303EW01, SWNSX2SP303EW01 and SWNSX2SP303UW01 starting Serial No. 2001000001
	203079	Wire Harness Assembly	Models SWNSX2PP113FW01 and SWNSX2SP113FW01 through Serial No. 1912999999
	204713	Control Harness	Models SWNSX2PP113FW01 and SWNSX2SP113FW01 starting Serial No. 2001000001
	204711	Control Harness	Models BWNMN2PP303AW01, BWNMN2SP303AW01, KWNMN2PP303BW33, KWNMN2SP303BW33, NWNMN2SP303WW01, SWNMN2SP303AW01, SWNMN2SP303SW01, SWNMN2SP303WW01, SWNSX2PP303AW01, SWNSX2SP303AW01, SWNSX2SP303BW01, SWNSX2SP303SQ01, SWNSX2SP303SW01 and SWNSX2SP303WW01 through Serial No. 1912999999
	204711	Control Harness	Models BWNMN2PP303AW01, BWNMN2SP303AW01, NWNMN2SP303WW01, SWNMN2SP303AW01, SWNMN2SP303SW01, SWNMN2SP303WW01, SWNSX2PP303AW01, SWNSX2SP303AW01, SWNSX2SP303BW01, SWNSX2SP303SQ01, SWNSX2SP303SW01 and SWNSX2SP303WW01 starting Serial No. 2001000001
	204710	Control Harness	Models KWNMN2PP303NW16, KWNMN2SP303NW16, KWNSX2PP303NW16, KWNSX2SP303NW16, NWNMN2SP303NW22, NWNMN2SP543NW22, NWNSX2SP303NW22, SWNMN2SP303NW22, SWNSX2SP303NW22 and SWNSX2SP543NW22 starting Serial No. 2001000001
	204714	Control Harness	Models HWNMN2PP115TW01, HWNMN2SP115CW01, HWNMN2SP115TW01, HWNSX2PP115TQ01, HWNSX2PP115TW01, HWNSX2SP115CW01, HWNSX2SP115TW01, KWNMN2PP115TW01, KWNMN2SP115TW01, KWNSX2PP115TW01, KWNSX2SP115TW01, PWNSX2PP115CG02, PWNSX2PP115CW02, PWNSX2PP115TG02, PWNSX2PP115TW02, SWNMN2SP115CW01, SWNMN2SP115TW01, SWNSX2SP115CW02, SWNSX2SP115TQ02, SWNSX2SP115TW02 and UWNMN2SP115CW01 starting Serial No. 2001000001
	202684	Control Harness	All other models through Serial No. 1912999999
2	202939	Output Control Shield	
3	804667	Screw	
4	202965	Shield Assembly	Includes items 2 and 5
5	202964	Output Board Cover Gasket	
6	202508P	Output Board Control Assembly	Through Serial No. 1912999999
	204782	Output Board Control Assembly	Models HWNSX2SP303UW01, KWNSX2PP303EW01, KWNSX2SP303EW01, SWNSX2SP303EW01 and SWNSX2SP303UW01 starting Serial No. 2001000001
	204783	Output Board Control Assembly	All other models starting Serial No. 2001000001

NOTE: Individual wires are not available separately. Order complete harness, or order wire by the foot. When applying terminals to wires, it is recommended that the terminals be soldered to the wires.

Output Board, Wire Harnesses and Wires (Drawing 2 of 3)

Models BWNMN2PP303AW01, BWNMN2SP303AW01, HWNMN2PP115TW01, HWNMN2SP115CW01, HWNMN2SP115TW01, HWNSX2PP115TQ01, HWNSX2PP115TW01, HWNSX2SP115CW01, HWNSX2SP115TW01, HWNSX2SP303UW01, KWNMN2PP115TW01, KWNMN2PP303BW33, KWNMN2PP303NW16, KWNMN2SP115TW01, KWNMN2SP303BW33, KWNMN2SP303NW16, KWNSX2PP115TW01, KWNSX2PP303EW01, KWNSX2PP303NW16, KWNSX2SP115TW01, KWNSX2SP303EW01, KWNSX2SP303NW16, NWNMN2SP303NW22, NWNMN2SP303WW01, NWNMN2SP543NW22, NWNSX2SP303NW22, PWNSX2PP115CG02, PWNSX2PP115CW02, PWNSX2PP115TG02, PWNSX2PP115TW02, SWNMN2SP115CW01, SWNMN2SP115TW01, SWNMN2SP303AW01, SWNMN2SP303NW22, SWNMN2SP303SW01, SWNMN2SP303WW01, SWNSX2PP113FW01, SWNSX2PP303AW01, SWNSX2SP113FW01, SWNSX2SP115CW02, SWNSX2SP115TQ02, SWNSX2SP115TW02, SWNSX2SP303AW01, SWNSX2SP303BW01, SWNSX2SP303EW01, SWNSX2SP303NW22, SWNSX2SP303SQ01, SWNSX2SP303SW01, SWNSX2SP303UW01, SWNSX2SP303WW01, SWNSX2SP543NW22 and UWNMN2SP115CW01



TLW1835PA_204554

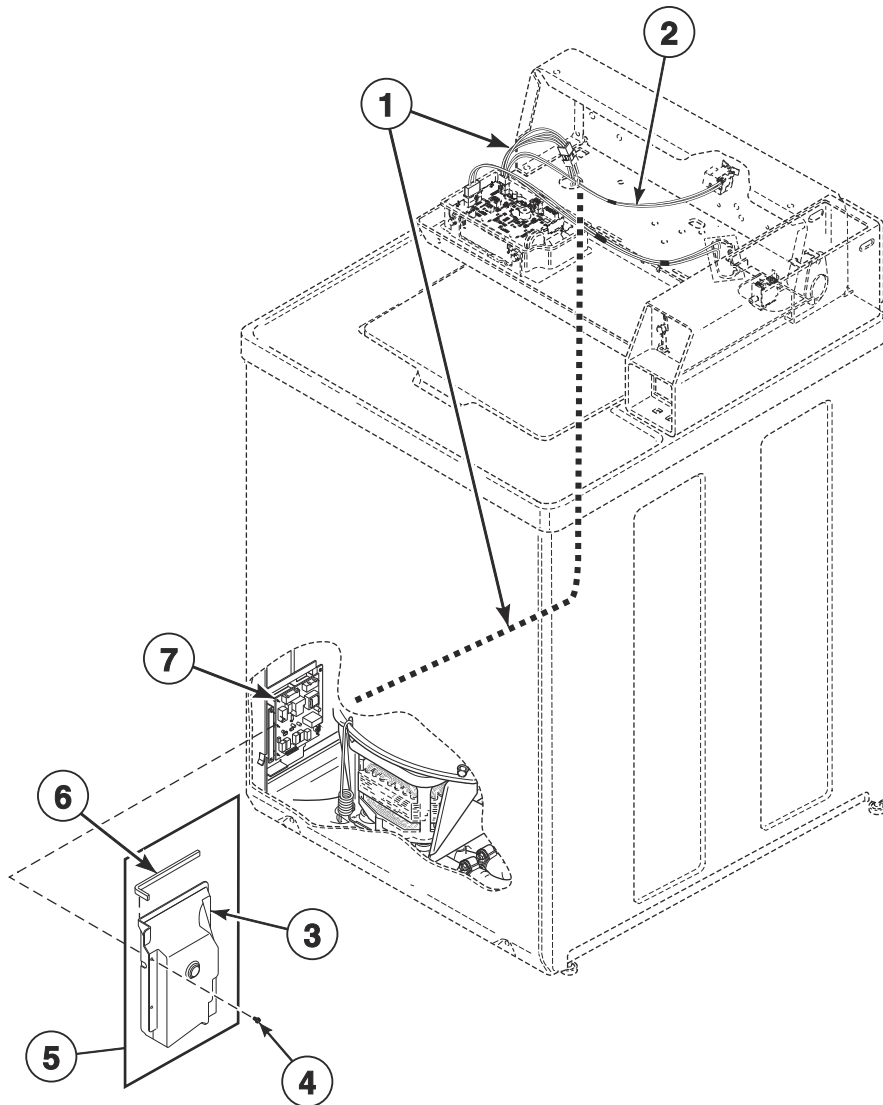
Output Board, Wire Harnesses and Wires (Drawing 2 of 3)

REF	PART NO.	DESCRIPTION	COMMENTS
	45001	18 Gauge Wire	Black; Order wire by foot and terminals as required
	45380	12 Gauge Wire	Orange; Order wire by foot and terminals as required
1	203507	Hood Harness	Models BWNMN2PP303AW01, BWNMN2SP303AW01, HWNMN2PP115TW01, HWNMN2SP115CW01, HWNMN2SP115TW01, KWNMN2PP115TW01, KWNMN2PP303NW16, KWNMN2SP115TW01, KWNMN2SP303BW33, KWNMN2SP303NW16, NWNMN2SP303NW22, NWNMN2SP303WW01, NWNMN2SP543NW22, SWNMN2SP115CW01, SWNMN2SP115TW01, SWNMN2SP303AW01, SWNMN2SP303NW22, SWNMN2SP303SW01, SWNMN2SP303WW01 and UWNMN2SP115CW01
	203319	Hood Harness	Models HWNSX2SP303UW01, KWNSX2PP303EW01, KWNSX2SP303EW01, SWNSX2SP303EW01 and SWNSX2SP303UW01
	203013	Hood Harness	All other models
2	70366201	Wire Clip	
3	804432	Pressure Sensor Harness	Models BWNMN2PP303AW01, BWNMN2SP303AW01, HWNMN2PP115TW01, HWNMN2SP115CW01, HWNMN2SP115TW01, KWNMN2PP115TW01, KWNMN2PP303NW16, KWNMN2SP115TW01, KWNMN2SP303BW33, KWNMN2SP303NW16, NWNMN2SP303NW22, NWNMN2SP303WW01, NWNMN2SP543NW22, SWNMN2SP115CW01, SWNMN2SP115TW01, SWNMN2SP303AW01, SWNMN2SP303NW22, SWNMN2SP303SW01, SWNMN2SP303WW01 and UWNMN2SP115CW01; Through Serial No. 1806000001
	203645	Pressure Sensor Harness	All other models; Through Serial No. 1806000001
	204572	Pressure Sensor Harness	Models BWNMN2PP303AW01, BWNMN2SP303AW01, HWNMN2PP115TW01, HWNMN2SP115CW01, HWNMN2SP115TW01, KWNMN2PP115TW01, KWNMN2PP303NW16, KWNMN2SP115TW01, KWNMN2SP303BW33, KWNMN2SP303NW16, NWNMN2SP303NW22, NWNMN2SP303WW01, NWNMN2SP543NW22, SWNMN2SP115CW01, SWNMN2SP115TW01, SWNMN2SP303AW01, SWNMN2SP303NW22, SWNMN2SP303SW01, SWNMN2SP303WW01 and UWNMN2SP115CW01; Starting Serial No. 1806000001; Pressure sensor mounted to mixing valve bracket
	204572	Pressure Sensor Harness	All other models; Starting Serial No. 1806000001; Pressure sensor mounted to mixing valve bracket

NOTE: Individual wires are not available separately. Order complete harness, or order wire by the foot. When applying terminals to wires, it is recommended that the terminals be soldered to the wires.

Output Board, Wire Harnesses and Wires (Drawing 3 of 3)

Models BWNBX2PP303AW01, BWNBX2SP303AW01, HWNBC2PP115TQ01, HWNBC2PP115TW01, HWNBC2SP115TW01, HWNBD2SP115CW01, HWNBE2SP115CW01, HWNBX2SP113FW01, HWNBX2SP115CW01, HWNBX2SP123DW01, HWNBX2SP303NW22, HWNBX2SP543DW01, HWNBY2PP115TW01, HWNBY2SP115CW01, HWNBY2SP115TW01, HWNKC2SP115TW01, HWNKD2SP115CW01, HWNKE2SP115CW01, HWNKX2SP115CW01, HWNKY2SP115CW01, HWNZC2SP115TW01, KWNBX2SP115TW01, NWNBX2SP303LW01, NWNBX2SP303NW22, NWNBX2SP543NW23, PWNBC2PP115TG02, PWNBC2PP115TW02, PWNBE2PP115CG02, PWNBE2PP115CW02, PWNBX2PP115CG02, PWNBX2PP115CW02, PWNBX2PP115TG02, PWNBX2PP115TW02, PWNBX2PP303AG02, PWNBX2SP303AG01, SWNBC2SP115TW02, SWNBX2SP113FW01, SWNBX2SP113JW01, SWNBX2SP115TQ02, SWNBX2SP115TW02, SWNBX2SP123DW01, SWNBX2SP303AW01, SWNBX2SP303LW01, SWNBX2SP303NQ22, SWNBX2SP303NW22, SWNBX2SP543DW01, SWNBY2SP115TW01 and TWNBX2SP303NW22



TLW1878P_204554

Output Board, Wire Harnesses and Wires (Drawing 3 of 3)

REF	PART NO.	DESCRIPTION	COMMENTS
	45001	18 Gauge Wire	Black; Order wire by foot and terminals as required
	45380	12 Gauge Wire	Orange; Order wire by foot and terminals as required
1	204711	Control Harness	Models BWNBX2PP303AW01, BWNBX2SP303AW01, NWNBX2SP303LW01, PWNBX2PP303AG02, PWNBX2SP303AG01, SWNBX2SP303AW01 and SWNBX2SP303LW01
	203079	Wire Harness Assembly	Models HWNBX2SP113FW01, HWNBX2SP123DW01, HWNBX2SP543DW01, SWNBX2SP113FW01, SWNBX2SP113JW01, SWNBX2SP123DW01 and SWNBX2SP543DW01 through Serial No. 1912999999
	204713	Control Harness	Models HWNBX2SP113FW01, HWNBX2SP123DW01, HWNBX2SP543DW01, SWNBX2SP113FW01, SWNBX2SP113JW01, SWNBX2SP123DW01 and SWNBX2SP543DW01 through Serial No. 1912999999
	204710	Control Harness	Models NWNBX2SP303NW22, NWNBX2SP543NW23, SWNBX2SP303NQ22, SWNBX2SP303NW22 and TWNBX2SP303NW22 starting Serial No. 2001000001
	204714	Control Harness	Models HWNBC2PP115TQ01, HWNBC2PP115TW01, HWNBC2SP115TW01, HWNBD2SP115CW01, HWNBE2SP115CW01, HWNBX2SP115CW01, HWNBY2PP115TW01, HWNBY2SP115CW01, HWNBY2SP115TW01, HWNKC2SP115TW01, HWNKD2SP115CW01, HWNKE2SP115CW01, HWNKX2SP115CW01, HWNKY2SP115CW01, HWNZC2SP115TW01, KWNBX2SP115TW01, PWNBC2PP115TG02, PWNBC2PP115TW02, PWNBE2PP115CG02, PWNBE2PP115CW02, PWNBX2PP115CG02, PWNBX2PP115CW02, PWNBX2PP115TG02, PWNBX2PP115TW02, SWNBC2SP115TW02, SWNBX2SP115TQ02, SWNBX2SP115TW02 and SWNBY2SP115TW01 starting Serial No. 2001000001
	202684	Control Harness	All other models through Serial No. 1912999999
2	804432	Pressure Sensor Harness	Through Serial No. 1806000001
	204572	Pressure Sensor Harness	Starting Serial No. 1806000001; Pressure sensor mounted to mixing valve bracket
3	202939	Output Control Shield	
4	804667	Screw	
5	202965	Shield Assembly	Includes items 3 and 6
6	202964	Output Board Cover Gasket	
7	202508P	Output Board Control Assembly	Through Serial No. 1912999999
	204783	Output Board Control Assembly	Starting Serial No. 2001000001

NOTE: Individual wires are not available separately. Order complete harness, or order wire by the foot. When applying terminals to wires, it is recommended that the terminals be soldered to the wires.

Parts Index

A

Adjustable Leg Extension Kit	
566P3	65
Agitate and Spin Belt	
200923	49, 53
38174	49, 53
Agitator	
33174	55
Agitator Cap	
36515	55
Agitator Drive Bell Puller	
294P4	69
Agitator Hook	
254P4P	71
Agitator Pinion	
27003	59
Anti-Seize Compound	
27604P	59

B

Balance Ring Assembly	
39837	55
Base Assembly	
39788	65
Bell and Transmission Tube Seal	
36425	55
Bell Plug	
36511	55
Belt and Pump Kit	
RB150003	49
Bolt	
203798	5, 7
29651	5
32184	35
Bracket	
202083	31
36036	65
36037	65
803662	5
Brake Kit	
38505P	63
Brake Pad Kit	
735P3	63
Bumper	
M400795	13, 15, 17, 19, 21, 23, 25, 27, 29
21685	31, 35
Bumper Pad	
36226	65
56128	65
Bushing	
33446	31, 35

C

Cable Clip	
21036	57

Capacitor	
203140	51
203141	51
37377	51
Capacitor and Clamp Kit	
39259P	51
Capacitor Clamp	
37535	51
Central Pay Harness	
805427	23, 25, 27, 29
Chassis Mounting Bracket	
201581	5
Clip	
201572	11
Coin Box Extension Kit	
803578P	5, 7
Coin Drop	
200731	9
38963P	9
39748	9
70441601P	9
70441603	9
Coin Drop Assembly	
CK114	9
201141	9
210195	9
210196	9
38462P	9
38463	9
38464P	9
38467	9
38472	9
38475	9
38519	9
38521	9
39157	9
553192	9
70281102	9
70441602	9
70447301	9
70482401	9
70506901	9
Coin Drop Kit	
CK055	9
CK056	9
CK057	9
CK058	9
CK060	9
CK071	9
CK077	9
CK078	9
CK085	9
CK086	9
CK089	9
CK090	9
CK091	9
CK097	9
CK098	9
CK107	9
CK111	9
CK122	9
CK123	9
Coin Funnel Kit	
523P3	5

N/A items do not appear in index.

Coin Identification Paper 38725	7, 11
Coin Slide Extension Kit 200913	5
Coin Slide Kit	
CK001	5
CK009	5
CK010P	5
CK011	5
CK014	5
CK017	5
CK124	5
Control Assembly	
202792P	5, 13, 15
203564P	23, 25, 27, 29
203566	23, 27
Control Harness	
202684	73, 77
203472	73
204710	73, 77
204711	73, 77
204713	73, 77
204714	73, 77
204795	73
Control Hood	
210142W	13, 15, 29
37075DG	17, 23, 27
37075Q	17, 19, 23
37075W	17, 19, 21, 23, 25, 27
Control Overlay	
203474	27
203476	23, 25
203477	27
203479	17
203490	21
203491	21
203492	21
203493	17, 19
203494	13, 15
203500	13, 15
203501	23
203514	23, 27
203515	23, 27
203592	13
203593	15
203594	13
203595	13
203597	17
203598	17
203682	23, 27
204321	17
204617	13
204939	23
Control Panel and Bracket Assembly	
203551	19
203551W	19, 21
36521	17
36521QP	17
36521WP	17
Control Panel Assembly	
201742W	13, 15
210042DG	23, 27
210042Q	23
210042W	23, 25, 27
210137W	29
Control Panel Bumper	
202469	13, 15, 17, 19, 21, 23, 25, 27, 29

Control Panel Overlay	
203497	29
203648	29
Counterweight Assembly	
38769	57
Cover Plate	
37828P	35
Cycle Selector Switch	
201686	13, 15, 17, 19, 21

D

Disconnect Power Warning Label	
D505281	13, 31
Door Lock Spacer	
201414	35
Drain Extension Kit	
451P3	61
Drain Hose	
28293	61
Drain Hose Elbow	
35766	61
36990	61
Drive Bell and Seal Kit	
39508P	55
Drive Bell Seal Tool	
293P4	71
Drive Pinion	
37405	59
Dual Coin Harness Assembly	
202871	7, 11
806827	7, 11
Dual Overlay	
39073	7

E

Electrical Shock Label	
F8211201	15, 31, 65
Electronic Coin Drop Assembly	
70294103P	11
70294104	11
70294106	11
70294107	11
70294110	11
70294111	11
70294117	11
70294119	11
70294120	11
70294121	11
70294122	11
70513302	11
70513311	11
Electronic Coin Drop Kit	
CK099	11
CK100	11
CK101	11
CK103	11
CK108	11
CK109	11
CK110	11
CK113	11
CK115	11

N/A items do not appear in index.

CK116	11
CK117	11
CK118	11
CK119	11
CK120	11
CK121	11
EMI Bracket	
204245	65
204246	65
End Cap	
210108W	13, 15, 29
210109W	13, 15, 29
Ethernet Gateway Kit	
NK320	25

F

Fill Hose	
203718	47
203719	47
203720	47
203750	47
204102	47
204103	47
Flex Vane Agitator	
36507	55
Foam Pad	
203484	65
39480	65
Friction Ring	
37937	65
Front Panel	
204870	65
38335DG	65
38335QP	65
Front Panel Brace	
35097	65
Front Panel Pad	
36204	65

G

Gear and Stud Assembly	
26577	59
Gear Sleeve	
38864	59
Grease	
36765P	55
Grommet	
29175	57
80262	15, 19, 21, 27, 33, 35

H

Harness	
804832	25
Helix	
38008	63
Hex Wrench Tool	
306P4	71

Hinge Gasket	
34338	31, 35
Hold-Down Clip	
35865	65
Hold-Down Lug Hinge	
27103	65
Hood Back Panel	
202465	17, 19, 21, 23, 27
Hood Harness	
203013	75
203319	75
203507	75
Hose Clamp	
F200204	61
20211	61
20391	61
36801	43
39282	57
800803	43
Hose Clip	
36985	57
Hose Coupler	
25863	61
Hose Retainer Clip	
39177	61
Hub and Lip Seal Kit	
766P3A	55, 57
Hub Spacer	
201212	59

I

Idler Lever	
38011	49, 53
Idler Lever and Belt Kit	
202972	53
Idler Lever Kit	
959P3	53
Idler Lever Spring	
201189	49
202032	49, 53
Idler Pulley	
38225P	49, 53
Idler Shaft	
210186	49, 53
Inlet Cover	
202894	33, 35
Inlet Deflector	
203509	33, 35
Input Shaft	
38268P	59

J

Junction Box	
203068	15, 19, 21, 27

L

Lead-In Cord	
202777	67

N/A items do not appear in index.

203108	67
203120	67
203121	67
203122	67
203309	67
203315	67
203345	67
203717	67
Lead-In Cord Assembly	
203106	67
Leg and Stabilizer Assembly	
34443	65
Leg Plate	
27926	57
Leg Spring	
201521	57
37575	57
Leveling Leg	
34319	65
Lid	
200892WP	35
204615W	31
33450DG	31
Lid Hinge	
36437	31, 35
36438	31, 35
Lid Lock	
202434	35
Lid Lock Catch Assembly	
201307P	35
Lid Lock Gasket	
30378	35
Lid Lock Kit	
837P3	35
Lid Lock Wire Harness Assembly	
203471	35
Lid Plug	
34153	31
Lid Switch Drip Shield	
204538	37
Lid Switch Kit	
204696	37
Lid Switch Shield	
202697	37
Lid Warning Label	
203045	31
Light	
801431	13, 15, 17, 19, 21
Line Filter	
804864	15, 19, 21, 27
Lower Bearing	
28944RP	63

M

Machine ID Control Assembly	
203361P	23, 25, 27, 29
Male Tab Terminal	
00177	51
Mechanical Counter Kit Assembly	
201280P	5
Meter Case Assembly	
202877Q	7

N/A items do not appear in index.

202877W	7
802505W	7
803575Q	5
807401DG	7
807401Q	7
807406W	7
Meter Case Assembly Kit	
803575DG	5
803575WP	5
807401W	7
Meter Case Bracket Gasket	
35526	5, 7
Meter Case Gasket	
26354	5, 7
Meter Case Kit	
201010QP	5
807398W	5
Meter Case Lockdown Bracket	
35525	5, 7
Meter Case Locking Bracket Kit	
204616	5, 7
Meter Case Mounting Bracket Assembly	
35915	65
Mixing Valve	
202395P	39
202396P	39
203741	39, 41
203742	39
203927	39
203928	39, 41
Mixing Valve Mounting Bracket	
203558	45
204117	45
39407	45
Mixing Valve Screen	
24122	45
Mixing Valve Shield	
202899	45
204247	45
Motor Assembly	
202544P	49
202960	49
202971	49
Motor Drip Shield	
203053	51
Motor Kit	
38034P	49
Motor Mount and Isolator Assembly	
204062	51
204063	51
Motor Mount Bracket	
200941	51
Motor Shield	
34754	49
Mounting Tool Kit	
CK096	69

N

Notice Label	
D516073	65
Nut	
M400979	37
M400981	37

03673	67
201216	11
21899	65
22001	35
24205	13, 15, 17, 19, 21
24206	21
27222	33, 35
28803	49, 53
29220	55
29786	5, 7
29787	15, 19, 21, 27
29796	5
35423	51
36020	33, 35
44087101	17, 19, 21, 23, 25, 27
52566	49
802337	5, 7

O

Operation Instruction Label	
203152	5, 7
Opto Coupler	
200674P	7
Outer Tub Assembly	
203603P	57
Output Board Control Assembly	
202508P	73, 77
204782	73
204783	77
Output Board Cover Gasket	
202964	73, 77
Output Control Shield	
202939	73, 77
Output Shaft	
36570P	59
Overlay	
201091	11
Overlay Kit	
38676	7

P

Paint	
806436P	65
Panel Locator	
28102	65
56079	65
Pinch Warning Label	
F8615701	57
Porcelain Touch-Up Paint	
122P4P	65
370P4P	65
Power Cord Assembly	
203119	67
Pressure Bulb	
30907	57
Pressure Sensor	
203843	13, 15, 17, 19, 21, 23, 25, 27, 29
Pressure Sensor Harness	
203645	75
204572	75, 77
804432	75, 77

Pulley	
204486	63
204942	63
Pump	
201566P	49
Pump Assembly	
201442P	49
Pump-to-Drain Elbow Hose	
38273	61

R

Rack	
201664	59
Ratchet Extension Tool	
310P4	69
Rear Hood Panel	
37020	17, 23, 25, 27
Rear Panel	
201732	13, 29
203818	15
210143	29
Reduction Gear	
37404P	59
Retaining Ring	
23748	49, 53
27197	59
Rocker Switch	
70455101	13, 15
Rubber Foot	
34318	65

S

Screw	
D500226	17
D501086	13, 15, 17, 23, 25, 27, 29, 65
D501524	5, 65
D503661	23, 25, 27, 29
D503673	5, 7, 31, 35
D503688	5, 15, 19, 21
M402574	37
02916	17, 19, 21, 23, 25, 27
201415	35
201773	59
202623	35
20267	67
203978	51
204656	37
20530	51
23008	33, 35
23222	13, 15, 17, 19, 21, 23, 25, 27
23962	19, 21, 31, 33, 35, 37
27196	65
27202	55
27220	63
27229	49, 53
29273	59
32814	59
33562	45
34337	31, 35
35148	65
35369	51, 57
35528	17, 19, 21, 23, 25, 27

N/A items do not appear in index.

36048	5, 7
36639	49
39397	45
39432	55
39566	57
39733	65
39739	63
431287	31, 35, 65
52864	13, 15, 19, 21, 23, 25, 27, 29
52909	31, 35, 51, 61
8002588	27
804608	13, 15, 23, 25, 27, 29
804667	73, 77
Sealant	
200996P	55, 57
Service Cabinet Kit	
38612DG	65
38612QP	65
38612WP	65
Service Door Assembly	
39874DG	5, 7
39874QP	5, 7
39874WP	5, 7
Shield Assembly	
202965	73, 77
Shipping Brace	
203517	69
Shipping Plug	
38149	69
Silicone Grease	
204253	63
Single Coin Harness Assembly	
202780	7
Single Overlay	
38717	7
Siphon Break Kit	
562P3	61
Slide	
CK027	5
26493	59
Spline Insert	
29728	55
Spring	
804794	5
Spring Clip	
210202	49
Spring Hook Tool	
321P4	71
Strain Relief	
38384	31, 35
Support Barrel	
56534	33, 35
Switch	
D512973	7
37830	37
70529301	5
Switch Assembly	
39256	37
55882	21
Switch Knob	
39897	13, 15, 17, 19, 21
Switch Mounting Plate	
29676	35

T

Tool Kit	
725P3	71
Top	
203579DG	33
39167QP	33
39167WP	33
Top Assembly	
210173WP	33
39184WP	35
Top Shield	
203947	33, 35
Torx Bit	
281P4	71
282P4	71
Transformer	
202757	25
204379	23
Transformer Kit	
203423	23, 25, 27, 29
203424	23, 27
Transmission Assembly	
38165P	59
Transmission Case Assembly	
33223P	59
Transmission Cover Assembly	
37471	59
Transmission Oil	
27243P	59
Transmission Pin Tool	
305P4	69
Transmission Rebuild Kit	
RB150004	59
Transmission Sealant	
37577P	59
Tub Cover Assembly	
203539	57
Tub Cover Gasket	
38359	57
Tub Cover Removal Tool	
273P4	71
Tub Kit	
39250P	55
Tube	
202333	49
Tubing	
202700	57
203802	57
Tub-to-Pump Hose	
38351	61

U

USB Gateway Kit	
NK330	25

V

Valve to Inlet Hose	
202884	43

N/A items do not appear in index.

W

Warning Label
D500049 57
D500314 57
D500316 31
803260 65

Washer
D504082 49, 53
F430339 21
M400017 17, 19, 21, 23, 25, 27
20290 47
203950 63
21735 67
26509 59, 63
27015 63
28094 55
29260 59
35092 59
35535 63
37772 51
39249 31, 35, 57
52549 49, 53
802254 47
803615 47
81392 49, 53
91176 13, 15, 17, 19, 21

Washtub Gasket
39122 55

Washtub Kit
719P3 55

Weldment and Bearing Assembly
39253 63

Wire Clip
70366201 75

Wire Guard
201595P 7

Wire Harness Assembly
203079 73, 77

Wireless Network Board Harness
F8536002 25

Wireless Network Control Assembly
203532 25
807211 25

Wireless Network Harness
F8674006 25

Wire, 12 Gauge
45380 73, 75, 77

Wire, 18 Gauge
45001 73, 75, 77

Wiring Harness Assembly
202869 29
