

SWC530LBISTCSSADA

32.0" x 23.63" x 23.38" (H x W x D)

ADA compliant dual zone built-in wine cellar with digital thermostat, stainless steel trimmed shelves, and stainless steel wrapped cabinet

Highlights:

Chill white and sparkling wine while preserving red in two distinct temperature zones

Easy temperature management with a digital thermostat

32" height fits under lower ADA compliant counters

Flexible design allows built-in or freestanding use in any 24" space

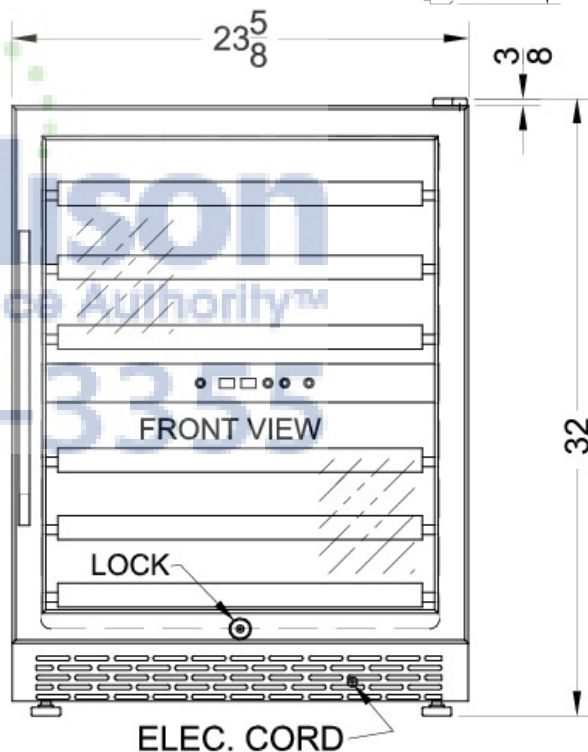
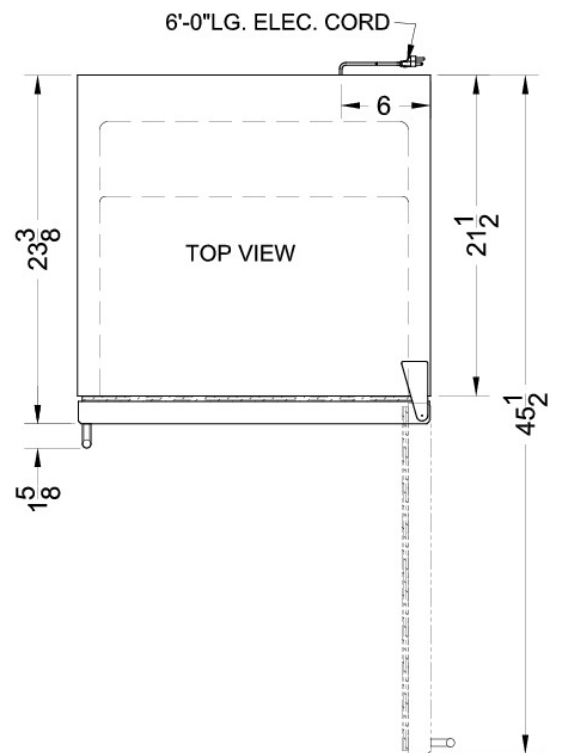


AjMadison
Your Appliance Authority™
800-570-3355

ADA Compliant	32" height fits under lower ADA compliant counters
Built-in capable	Make the best use of space by installing your appliance under the counter
Stainless steel cabinet	Fully wrapped in 304 grade stainless steel
Digital thermostats	Set and adjust two temperature zones separately with easy-to-use digital controls and digital displays
Two temperature zones	Lower zone for reds has a temperature range of 10° C/50° F to 18° C/64° F; Upper zone stores whites and sparkling wine between 5° C/41° F to 10° C/50° F
Automatic defrost	Reduced maintenance with auto defrost system
Slide-out wooden shelving	Ideal for holding your bottles, with an elegant touch of stainless steel trim
Stainless steel door frame	Classic trim for a refined look
Glass door	Provides a full display of your collection
Interior light	Illuminate your collection in style

Specifications:

Height	32.0"
Width	23.63"
Depth	23.38"
Ext Depth with Handle	25.0"
Voltage/Frequency	115 V AC/60 Hz
Amps	2.0
US Electrical Safety	CSA
Canadian Electrical Safety	CSA
Reversible	Yes
Door Swing	RHD
Shelf Quantity	6
Shelf Type	Wood
Wine Bottle Holder	true
Defrost Type	Automatic
Depth with door at 90°	45.5"
Light	true
Thermostat Type	Digital
Freon Oz	4.23
High Side PSI	270.0
Level Legs Quantity	2
Low Side PSI	103.0
Freon Type	R134a
Parts/Labor Warranty	1 Year
Compressor Warranty	5 Years



AjMadison
Your Appliance Authority™
800-570-3355

Summit Appliance Division, Felix Storch, Inc.
770 Garrison Ave • Bronx, NY 10474
Phone: 718-893-3900 • Fax: 718-842-3093
Email: info@summitappliance.com