



Internal Use Only

<http://biz.lgservice.com>

# Air Conditioner

## SVC MANUAL(Exploded View)

MODEL : AUUW243D[LUU245HV]

### CAUTION

Before Servicing the unit, read the safety precautions in General SVC manual.  
Only for authorized service personnel.

800-570-3355

# 1. Specification

## Indoor Unit

Indoor Unit			ATNH243PLAD
Nominal Capacity (Min~Rating~Max)	Cooling	Btu/h	24,000
	Heating	Btu/h	26,000
Nominal Input (Min~Rating~Max)	Cooling	kW	2.40
	Heating	kW	2.50
Indoor Unit			APNH2433LAD
Nominal Capacity (Min~Rating~Max)	Cooling	Btu/h	24,000
	Heating	Btu/h	26,000
Nominal Input (Min~Rating~Max)	Cooling	kW	2.50
	Heating	kW	2.55

## Outdoor Unit

Indoor Unit			AUUW243D
Compressor	Type		Rotary
Refrigerant Charge	Charge*	g(oz)	2000(70.6)
	Type		R410A
Fan	Discharge	Side/Top	side
Noise Level(H/L)	Sound Press,1m	dB(A)±3	55
Dimensions	W*H*D	mm (inch)	870*808*320(34.3*31.8*12.6)
Net Weight	Outdoor	kg(lbs)	60(132)
Piping connections	Liquid	mm (inch)	9.52 (3/8)
	Gas	mm (inch)	15.88 (5/8)
Power Supply Cable(Includes earth)		No.*AWG	No.*12
Interunit Cable(Includes earth)		No.*AWG	No.*18
Max. Piping Length/Elevation		m(ft)	50(164)/30(98)
Power Supply		Ø,V,Hz	1, 208~230, 60
Running Current	Cooling/Heating	A	10.0/10.7
Air Circulation		CMM(CFM)	58(2048)
Additional Refrigerant Charge (Over 7.5m)		g/m(oz/ft)	35(0.38)
Operation Range	Cooling	°C(°F)	-10(14) ~ 43(109.4)
	Heating	°C(°F)	-15(5) ~ 24(75.2)

### Note:

1. Capacities are based on the following conditions:

- Cooling: - Indoor Temperature 27°C(80.6°F) DB/19°C(66.2°F) WB
- Outdoor Temperature 35°C(95°F) DB/24°C(75.2°F) WB
- Heating: - Indoor Temperature 20°C(68°F) DB/15°C(59°F) WB
- Outdoor Temperature 7°C(44.6°F) DB/6°C(42.8°F) WB

Piping Length - Interconnecting Piping Length 7.5m  
 - Level Difference of Zero

2. Wiring cable size must comply with the applicable local and national code.

3. The specification may be subject to change without notice for purpose of improvement.

## 2. Function Table

### Outdoor Unit

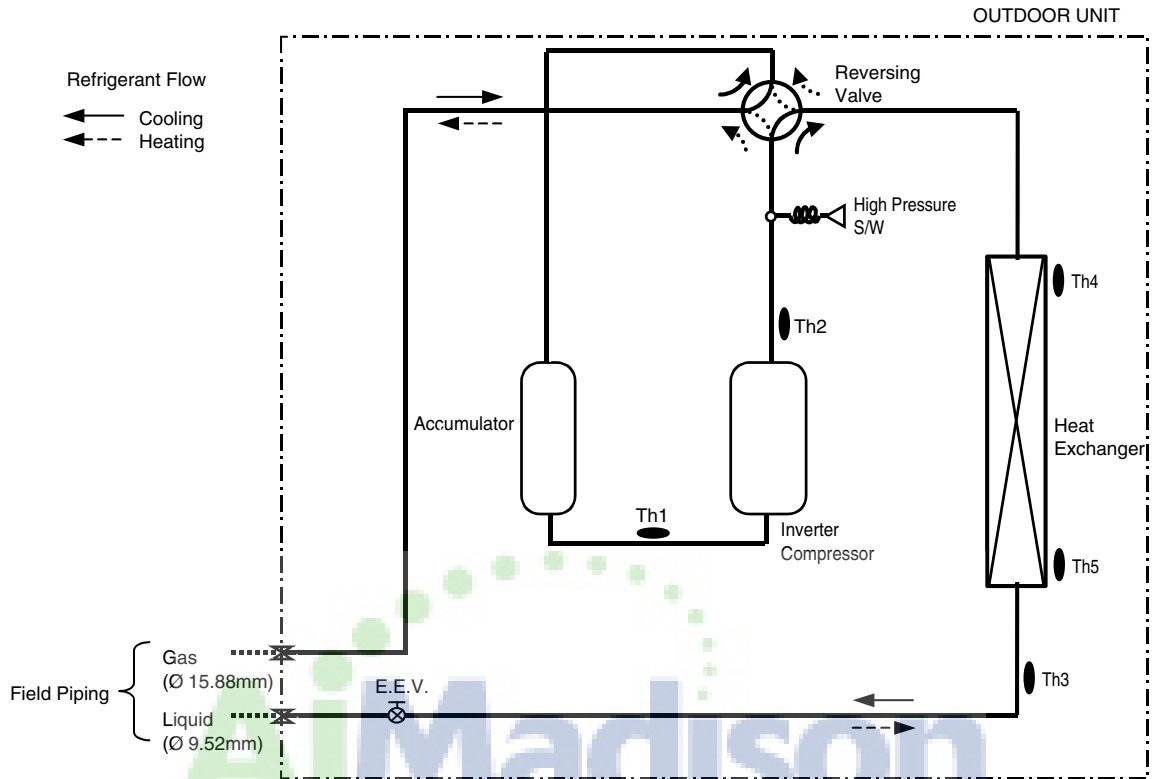
Category	Function	AUUW243D
Reliability	Defrost / Deicing	O
	High pressure switch	O
	Low pressure switch	X
	Phase protection	X
	Restart delay (3-minutes)	O
	Self diagnosis	O
	Soft start	O
	Test function	X
Convenience	Auto operation(Artificial intelligence)	O
	Auto restart operation	O
CAC network function	Network solution(LGAP)	X
	PDI(Power Distribution Indicator)	X
	PI485	X
Special function kit	Low ambient operation	O(Program Logic)
Others	Thermistor	-

**Note :**

- O: Applied, • X: Not applied, • - : No relation,
- Option: Model name & price are different according to options, and assembled in factory with main unit.
- Accessory: Installed at field, ordered and purchased separately by the corresponding model name, supplied with separate package.



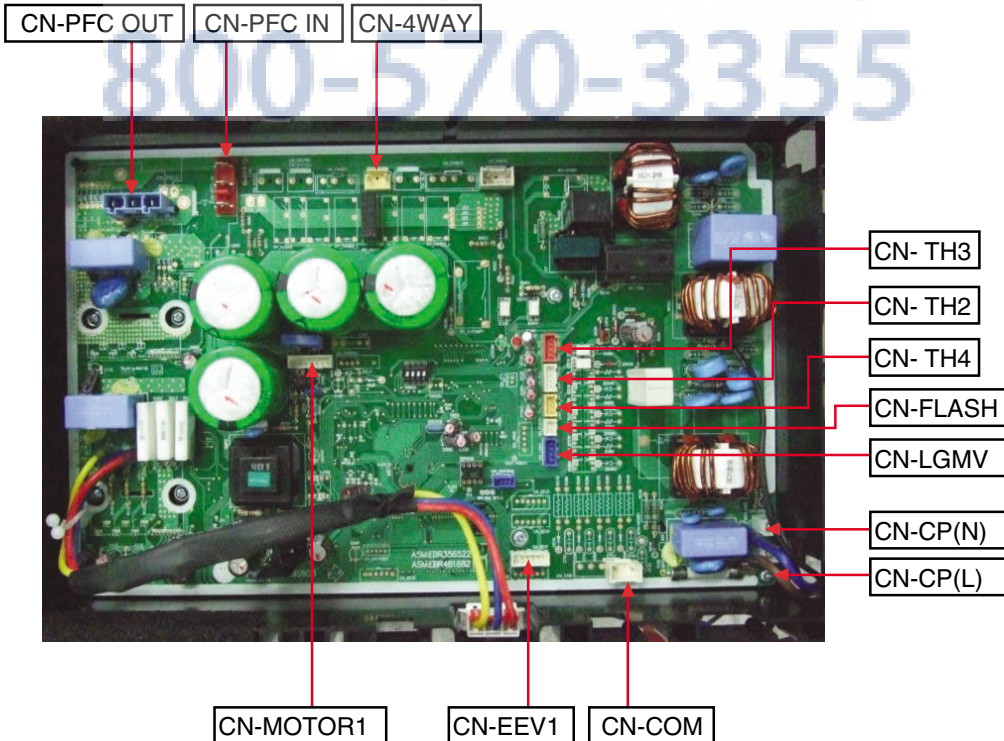
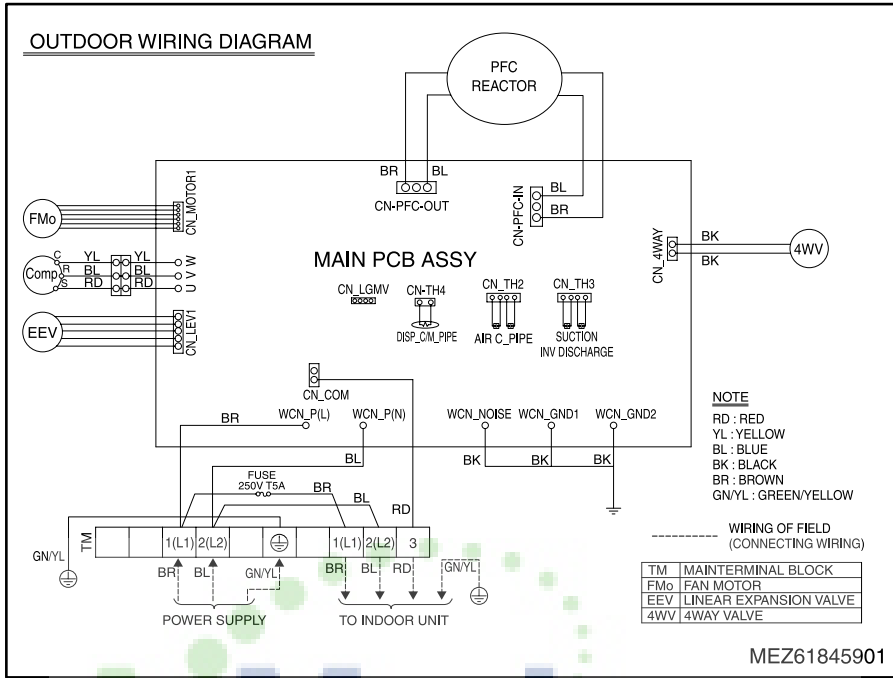
### 3. Piping Diagrams



LOC.	Description	PCB Connector
EEV	Electronic Expansion Valve	CN_LEV1
Th1	Thermistor for suction pipe temperature	CN_TH3
Th2	Thermistor for discharge pipe temperature	CN_TH3
Th3	Thermistor for condenser pipe temperature	CN_TH2
Th4	Thermistor for outdoor air temperature	CN_TH2
Th5	Thermistor for condenser middle pipe temperature	CN_TH4

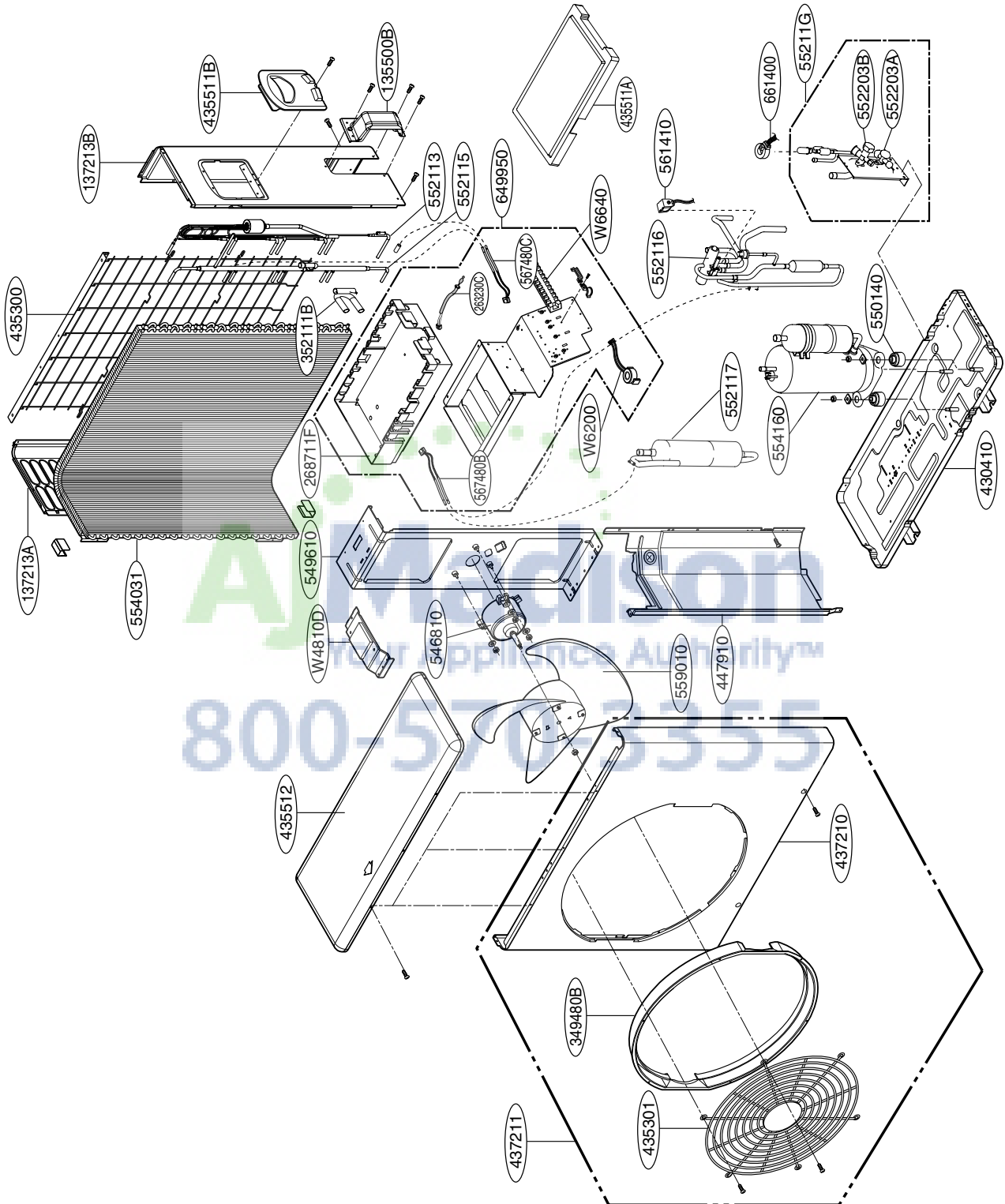
# 4. Wiring Diagrams

## Outdoor Unit



## 5. Exploded View

### Outdoor Unit



Note) \* Please ensure GCSC since the replacement parts may be changed depending upon the buyer's request.  
Please check the correct parts in View RPL(Replacement Part List) on GCSC.  
(GCSC Website <http://biz.lgservice.com>.)



**AjMadison**  
Your Appliance Authority™  
800-570-3355

P/NO : MFL62129301

MARCH, 2009