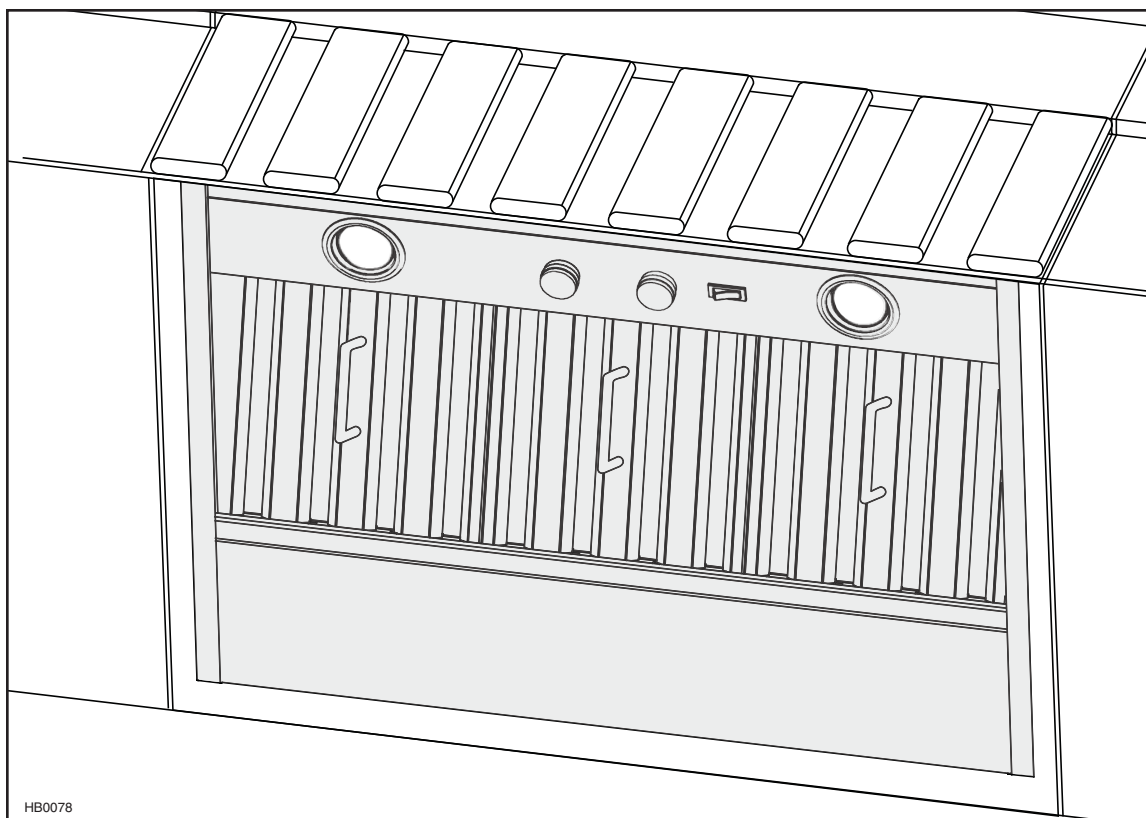


INSTALLATION INSTRUCTIONS

best[®]



CP35 AND CP37 SERIES

⚠ INTENDED FOR DOMESTIC COOKING ONLY ⚠

READ AND SAVE THESE INSTRUCTIONS

INSTALLER: LEAVE THIS MANUAL WITH HOMEOWNER.
HOMEOWNER: USE AND CARE INFORMATION ON PAGES 12 and 13.

BEST; Hartford, Wisconsin www.BestRangeHoods.com 800-558-1711

REGISTER YOUR PRODUCT ON LINE AT: www.BestRangeHoods.com/register
For additional information - visit www.BestRangeHoods.com

SV08544 rev. A

WARNING

TO REDUCE THE RISK OF FIRE, ELECTRIC SHOCK OR INJURY TO PERSONS, OBSERVE THE FOLLOWING:

1. Use this unit only in the manner intended by the manufacturer. If you have questions, contact the manufacturer at the address or telephone number listed in the warranty.
2. Before servicing or cleaning unit, switch power off at service panel and lock service disconnecting means to prevent power from being switched on accidentally. When the service disconnecting means cannot be locked, securely fasten a prominent warning device, such as a tag, to the service panel.
3. Installation work and electrical wiring must be done by qualified personnel in accordance with all applicable codes and standards, including fire-rated construction codes and standards.
4. Sufficient air is needed for proper combustion and exhausting of gases through the flue (chimney) of fuel burning equipment to prevent backdrafting. Follow the heating equipment manufacturer's guidelines and safety standards such as those published by the National Fire Protection Association (NFPA) and the American Society for Heating, Refrigeration and Air Conditioning Engineers (ASHRAE) and the local code authorities.
5. When cutting or drilling into wall or ceiling, do not damage electrical wiring and other hidden utilities.
6. Ducted fans must always be vented to the outdoors.
7. Do not use this unit with any solid-state speed control device.
8. To reduce the risk of fire, use only metal ductwork.
9. This unit must be grounded.
10. When the federal, provincial or state legislation comprises more restrictive installation and/or certification requirements, the aforementioned requirements prevail on those of this document and the installer agrees to conform to these at his own expenses.

TO REDUCE THE RISK OF A RANGE TOP GREASE FIRE:

- a) Never leave surface units unattended at high settings. Boilovers cause smoking and greasy spillovers that may ignite. Heat oils slowly on low or medium settings.
- b) Always turn hood ON when cooking at high heat or when flambeing food (i. e.: Crêpes Suzette, Cherries Jubilee, Peppercorn Beef Flambé).
- c) Clean ventilating fans frequently. Grease should not be allowed to accumulate on fan or filter.
- d) Use proper pan size. Always use cookware appropriate for the size of the surface element.

WARNING

TO REDUCE THE RISK OF INJURY TO PERSONS IN THE EVENT OF A RANGE TOP GREASE FIRE, OBSERVE THE FOLLOWING*:

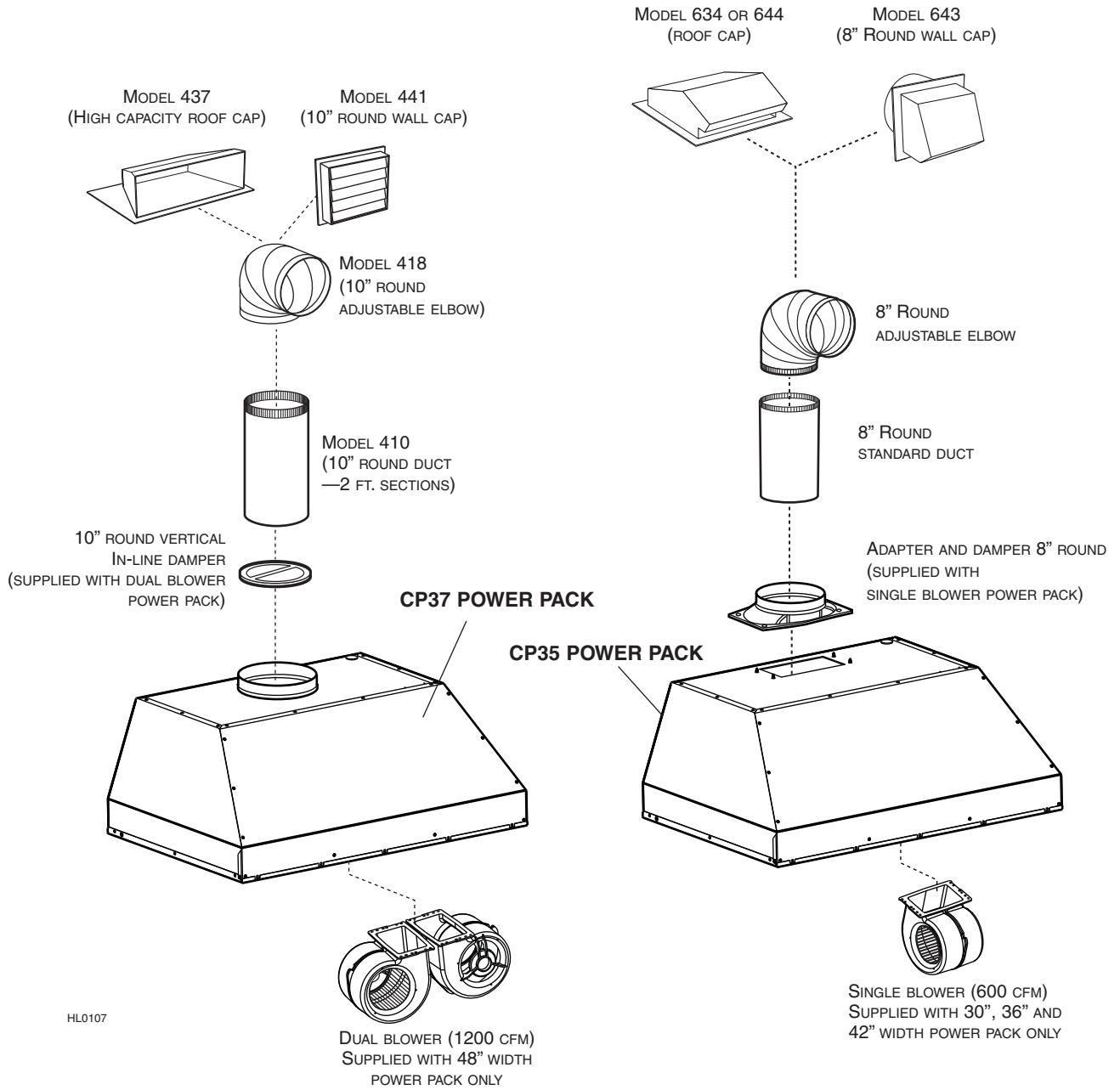
1. SMOTHER FLAMES with a close-fitting lid, cookie sheet or metal tray, then turn off the burner. BE CAREFUL TO PREVENT BURNS. IF THE FLAMES DO NOT GO OUT IMMEDIATELY, EVACUATE AND CALL THE FIRE DEPARTMENT.
2. NEVER PICK UP A FLAMING PAN—You may be burned.
3. DO NOT USE WATER, including wet dishcloths or towels—This could cause a violent steam explosion.
4. Use an extinguisher ONLY if:
 - A. You own a Class ABC extinguisher and you know how to operate it.
 - B. The fire is small and contained in the area where it started.
 - C. The fire department has been called.
 - D. You can fight the fire with your back to an exit.

* Based on "Kitchen Fire Safety Tips" published by NFPA.

CAUTION

1. For general ventilating use only. Do not use to exhaust hazardous or explosive materials and vapors.
2. To avoid motor bearing damage and noisy and/or unbalanced impellers, keep drywall spray, construction dust, etc. off power unit.
3. Your insert motor has a thermal overload which will automatically shut off the motor if it becomes overheated. The motor will restart when it cools down. If the motor continues to shut off and restart, have the insert serviced.
4. The minimum hood distance above cooktop must not be less than 24". A maximum of 30" above cooktop is highly recommended for best capture of cooking impurities.
5. Two installers are recommended because of the large size and weight of this unit.
6. To reduce the risk of fire and to properly exhaust air, be sure to duct air outside—Do not exhaust air into spaces within walls or ceiling or into attics, crawl space or garage.
7. This product is equipped with a thermostat which may start blower automatically. To reduce the risk of injury and to prevent power from being switched on accidentally, switch power off at service panel and lock or tag service panel.
8. Because of the high exhausting capacity of this unit, you should make sure enough air is entering the house to replace exhausted air by opening a window close to or in the kitchen.
9. To reduce the risk of fire and electrical shock, the Best models CP35 & CP37 Series should only be installed with their own built-in blowers. Other blowers cannot be substituted.
10. Please read specification label on product for further information and requirements.

- CP35 AND CP37 POWER PACK SYSTEM -



1. PREPARE THE INSTALLATION

CAUTION

When performing installation, servicing or cleaning the unit, it is recommended to wear safety glasses and gloves.

Make sure that the following items are included:

- Power Pack
- Accessories:
 - Baffle filters (3 for CP35 model 30" and 36" width, 4 for 42" width, and 5 for CP37 model)
 - Baffle filters handles (taped inside the power pack) (3 for CP35 model 30" and 36" width, 4 for CP35 model 42" width, and 5 for CP37 model)
 - 2 Shielded halogen lamps (120 V, 50 W, MR16 with GU10 base or PAR16 with GU10 base)
 - 8" round adapter and damper (included with single blower power pack)
 - 10" round in-line vertical damper (included with dual blower power pack)
 - 10" round adapter (included with dual blower power pack)
 - Bag of parts including: (1) wire clamp, (2) wire connectors, (4) no. 8 x 3/8" screws, (9) no. 8 x 1/2" chrome plated screws, (10) no. 8-32 x 1/4" screws. If need be, discard extra screws.

Parts sold separately:

- Ducts, elbows, wall and roof caps. Refer to page 3 for a complete list of venting options and model numbers.

NOTE: During installation, protect countertop and/or cooktop.

2. INSTALL DUCTWORK AND ELECTRICAL WIRING

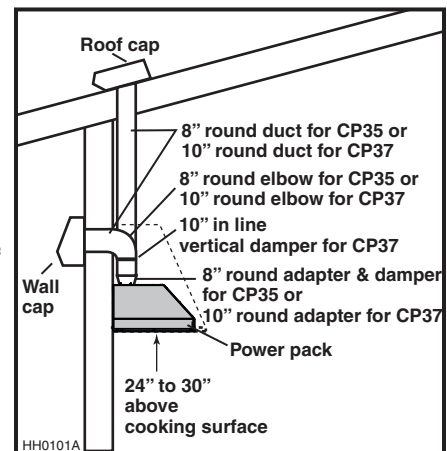
Plan where and how the ductwork will be installed. Access to the top of the hood is preferred for connection of ductwork.

Install proper-sized ductwork, elbows and roof or wall cap for the type of blower you are installing. If installing CP35 power pack, use 8" round ductwork and if installing CP37 power pack, use 10" round ductwork. Use 2" metal duct tape to seal duct joints.

The minimum hood distance above cooktop must not be less than 24". A maximum of 30" above cooktop is highly recommended for best capture of cooking impurities.

Distances over 30" are at the installer and users discretion.

Run 3-wire power supply cable to installation location. Its length should extend at least 4 feet below the bottom of the custom hood.



**MODEL CP35 (SINGLE BLOWER)
OR CP37 (DUAL BLOWER)
TYPICAL DUCTWORK**

3. CUSTOM HOOD PREPARATION

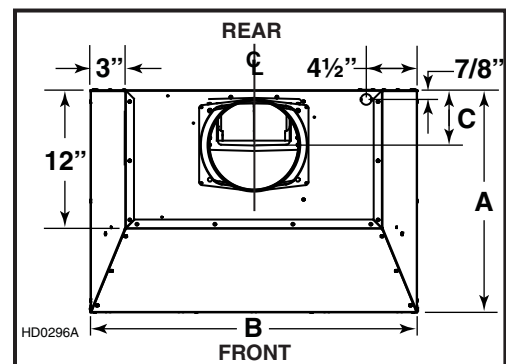
⚠ WARNING

When building a custom hood, always follow all applicable construction codes and standards.

The custom hood must be constructed to fit the size and shape of the CP35 or the CP37 power pack. See chart and illustration for details.

| POWER PACK MODEL | TOTAL WEIGHT | DIMENSIONS | | |
|------------------|--------------|------------|----------|--------|
| | | A* | B* | C |
| CP35 (30" WIDTH) | 33 LB | 19 5/16" | 28 7/16" | 4 7/8" |
| CP35 (36" WIDTH) | 37.2 LB | 19 5/16" | 34 7/16" | 4 7/8" |
| CP35 (42" WIDTH) | 41.6 LB | 19 5/16" | 40 7/16" | 4 7/8" |
| CP37 (48" WIDTH) | 56.5 LB | 22 9/16" | 46 7/16" | 5 7/8" |

* Dimensions A and B include rivets head.



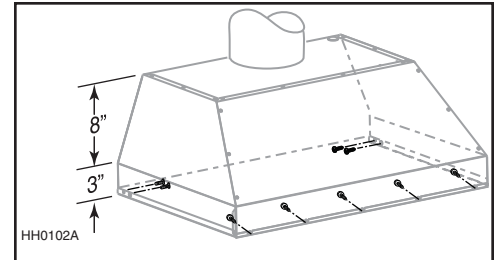
4. MOUNT CUSTOM HOOD INTERNAL FRAMEWORK

WARNING

The framework must be positively secured to wall studs or other wooden framework behind the drywall. Make sure it is capable of supporting its own weight and the weight of the CP35 or CP37. Failure to do so may cause personal injury or damage to countertop or cooktop.

The CP35 and CP37 power pack is supported by the custom hood internal framework with screws provided in parts bag.

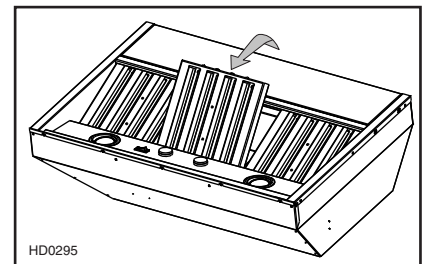
Since the CP35 and CP37 power pack mounting holes are located in front and rear sides (see illustration beside), plan to install wood frame at front and sides for support.



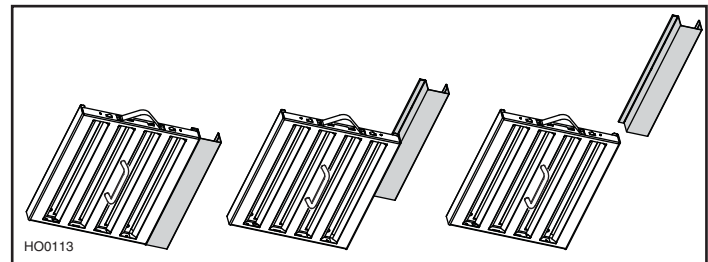
5. REMOVE FILTERS

Remove tape on filters. Remove filters from power pack and set aside.

NOTES: 1. It is recommended to start with the center one(s).



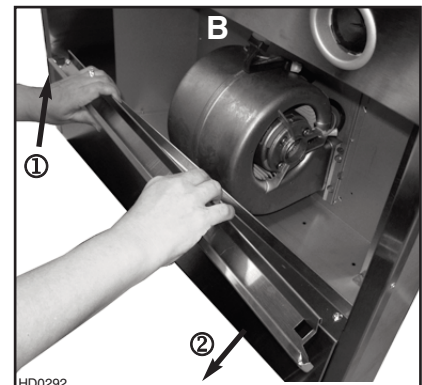
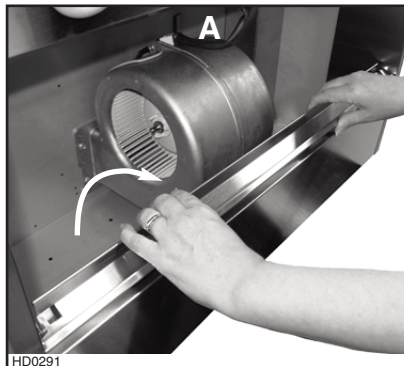
2. On 42" width model only, for each side filters, slide out filter filler (shaded part on illustration beside).



6. REMOVE GREASE DRIP RAIL

- A. Lift grease drip rail to disengage it from the bottom panel.

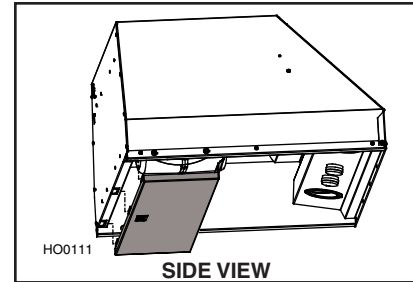
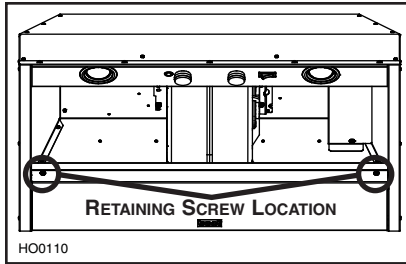
- B. Slide grease rail all the way to the left or right (①) and lift the opposite end to disengage the other end from the bottom panel (②). Remove it from the power pack and set aside for later use.



7. REMOVE THE BOTTOM PANEL

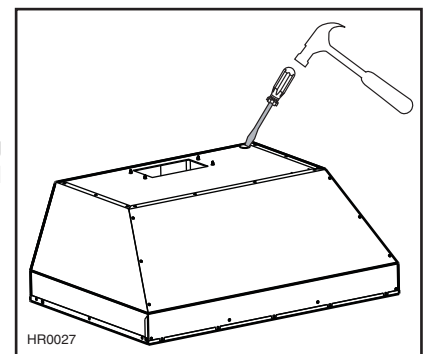
Using a Phillips screwdriver, remove both bottom panel retaining screws and set aside.

Disassemble bottom panel from power pack and set aside.



8. REMOVE THE KNOCK-OUT OPENING

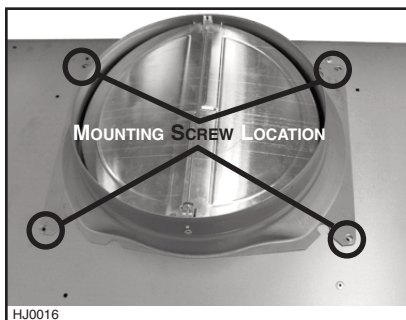
From inside the power pack, remove the wiring cover by removing two (2) retaining screws and set aside. Punch out the electrical knockout hole on top of the hood. Install the wire clamp (included in parts bag).



9. INSTALL THE ADAPTER/DAMPER (CP35 MODELS) OR THE DAMPER (CP37 MODEL)

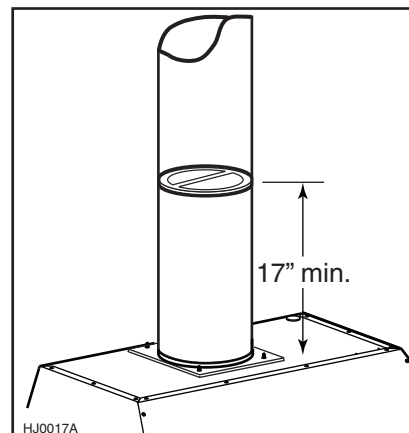
CP35 MODELS

Using (4) no. 8 x 3/8" screws from parts bag, assemble the adapter/damper on the top of the power pack. To ensure proper opening of the dampers, remove shipping tape if present. Seal all joints with duct tape to eliminate air leaks.



CP37 MODEL

Install 10" damper inside the VERTICAL ductwork that will be attached to power pack. Do not install in a horizontal ductwork or it will not open and close properly. Remove shipping tape if present. To optimize airflow and quiet sound, position the damper at least 17" above the top of the CP37 power pack; or as far as the duct run will allow (see figure below). Secure the damper to the duct with 3 no. 8 sheet metal screws (not provided). Check to make sure damper opens and close freely. Seal all joints with duct tape to eliminate air leaks.



10. CONNECT WIRING

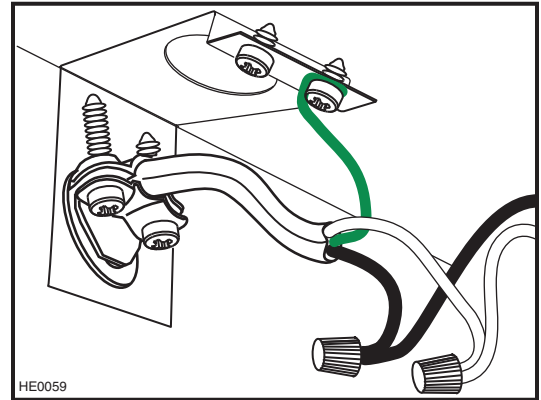
WARNING

Risk of electrical shock. Electrical wiring must be done by qualified personnel in accordance with all applicable codes and standards. Before connecting wires, switch power off at service panel and lock service disconnecting means to prevent power from being switched on accidentally.

Position the power pack below the installed custom hood. Insert the house wiring cable through the wire clamp previously installed in step 8. Tighten the wire clamp to secure the cable.

Connect cable into wiring box using provided wire connectors.

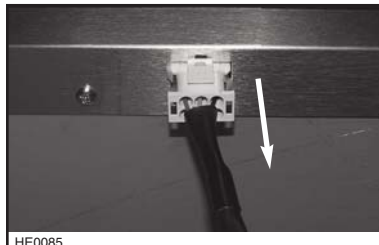
Connect wires as follow: BLACK to BLACK, WHITE to WHITE and GREEN or BARE wire under ground screw. **DO NOT FORGET TO CONNECT THE GROUND.** Reinstall wiring cover.



11. REMOVE THE BLOWER(S)

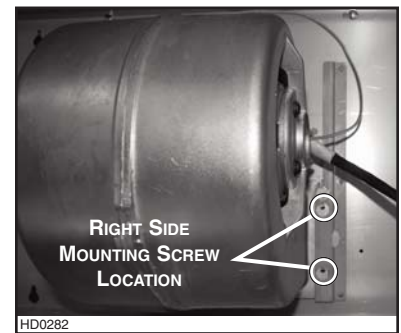
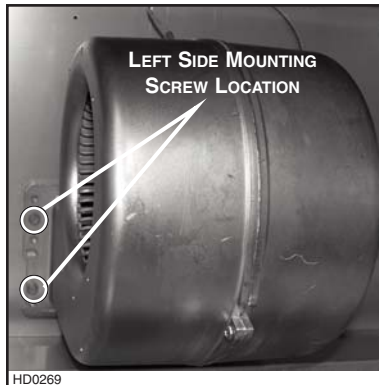
In order to ease the power pack alignment with existing ductwork, unplug and disassemble the blower(s) from the power pack before installing the custom hood.

Unplug the blower(s).

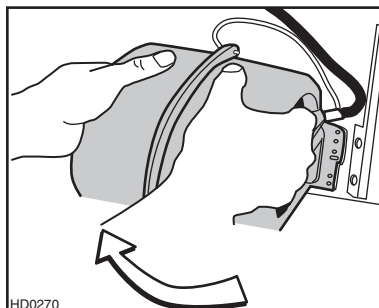


CP35 MODELS

Using a 5/16" socket, remove all blower mounting screws from the inner top of the power pack. Set aside the screws.



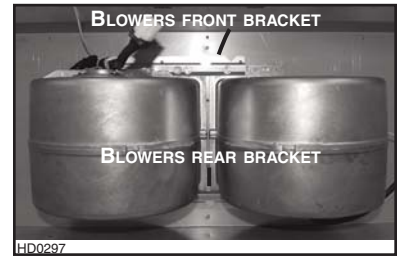
Slide the blower to disengage its flange from the retaining bracket. Set aside the blower.



11. REMOVE THE BLOWER(S) (CONT'D)

CP37 MODEL

For each blower, using a 5/16" socket, remove all blower mounting screws from the inner top of the power pack front and rear brackets. Set aside the screws.



For each blower, slide it to disengage its flanges from the retaining brackets. Set aside the blowers.



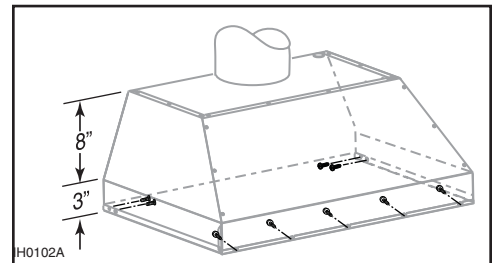
12. INSTALL THE POWER PACK

CAUTION

Take care not to kink ducting when installing the power pack.

Using provided no. 8 x 1/2" chrome plated screws, install the power pack inside the custom hood. Start with 2 screws on front corners, then use 4 screws for sides and use the last one to finalize securing the front power pack. (See figure beside for mounting screw specific locations.)

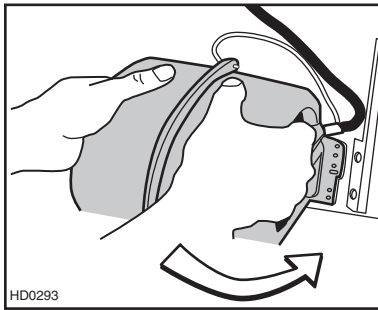
Make sure the adapter/damper (or the adapter) enters the ducting. When there is access to the top of the power pack, seal connections with duct tape.



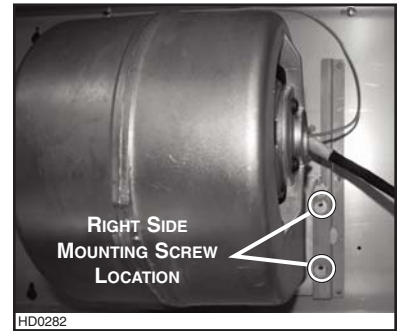
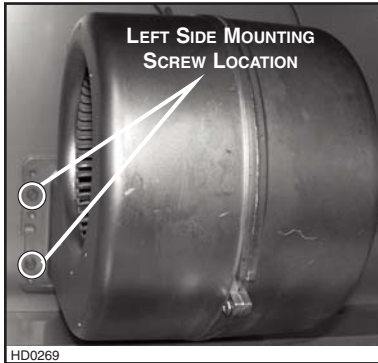
13. REINSTALL THE BLOWER(S)

CP35 MODELS

Slide the blower to engage its flange in the retaining bracket.



Using a 5/16" socket, secure the blower to the inner top of the power pack with all blower mounting screws (previously removed in step 11).

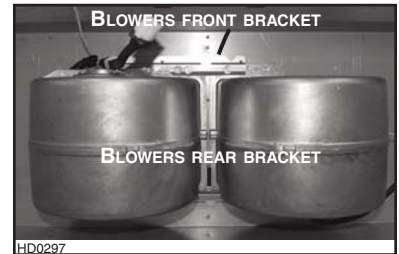


CP37 MODEL

For each blower, slide it to engage its flanges in both retaining brackets.
NOTE: Both blowers are identical and can be mounted on either side of the power pack.

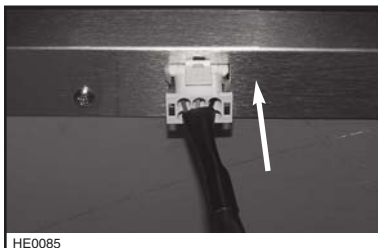


For each blower, using a 5/16" socket, secure the blower to the inner top of the power pack through the front and rear brackets with all blower mounting screws (previously removed in step 11).



ALL MODELS

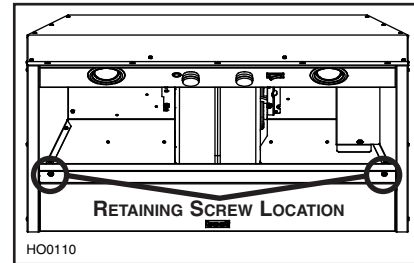
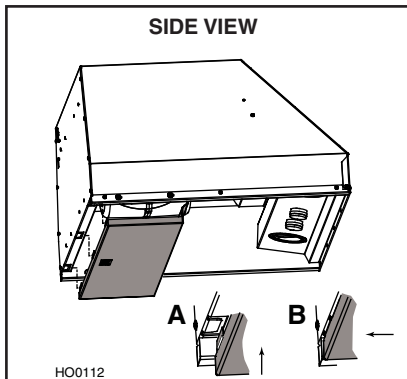
Plug the blower(s) in.



14. REINSTALL BOTTOM PANEL

Lift the bottom panel and engage the power pack metal tabs in bottom panel slots, as shown in details **A** and **B** below.

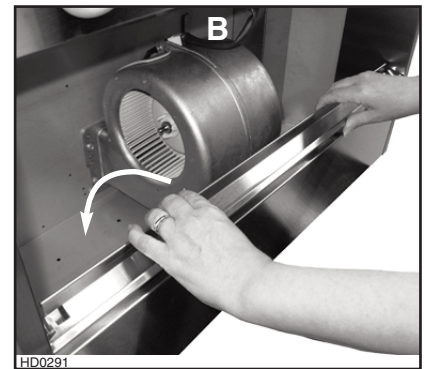
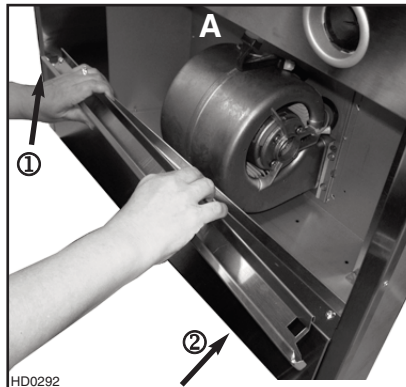
Secure the bottom panel to the power pack using its screws previously removed in step 7.



15. REINSTALL GREASE DRIP RAIL

A. Insert one end of grease rail in power pack side (①) while lifting the other end over the bottom panel edge (②).

B. Center the grease drip rail over the bottom panel edge and flip it to snap in place.



16. REINSTALL BAFFLE FILTERS

CAUTION

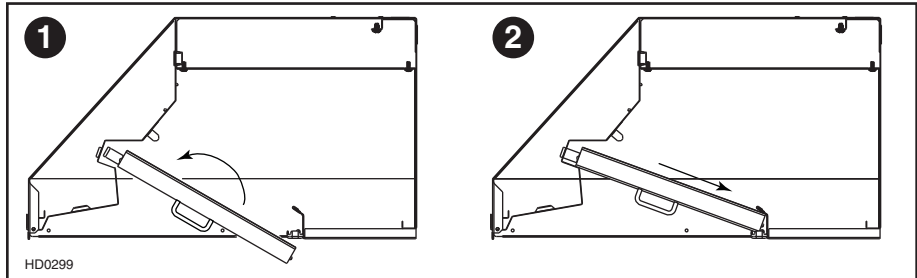
Remove protective plastic film covering filters before installing them.

NOTES : 1. On 42" width model only, reinstall both filter fillers previously removed in step 5.

2. Assemble the metal handles to the filters, using provided no. 8-32 x 1/4" screws, before installing them in the power pack.

It is recommended to install side filters first and finish with center one(s).

1. Insert one end of the filter into the upper channel of the power pack.
2. Raise the other end toward the inside of power pack and insert in the grease drip rail of the power pack.



17. LIGHT BULBS

This power pack must use shielded halogen lamps (120 V, 50 W, MR16 with GU10 base or PAR16 with GU10 base), included.

NOTE: Before using lamps, remove shipping tape on them (if present).

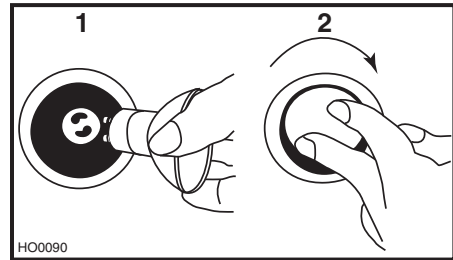
⚠ WARNING

In order to prevent the risk of personal injury, do not install a lamp identified for use only in enclosed fixtures.

1. Install the lamps by placing the bulb leads into their grooves in the socket.
2. Gently push upwards and turn clockwise until secure.

⚠ WARNING

In order to prevent the risk of personal injury, the halogen lamps must be cooled down before removing them.



To remove lamps, gently push upwards and turn counterclockwise to disengage bulb leads from their grooves.

NOTE: If need be, use a rubber dishwashing glove to add grip when removing the bulb.

18. USE AND CARE

Baffle Filters

The baffle filters should be cleaned frequently. Use a warm detergent solution. Wash more often if your cooking style generates greater grease—like frying foods or wok cooking.

Remove baffle filters by pushing them towards the back of hood and rotating filters downward. Baffle filters are dishwasher safe. Allow filters to dry completely before reinstalling them in the power pack.

Clean all-metal filters in the dishwasher using a non-phosphate detergent. Discoloration of the filter may occur if using phosphate detergent or as a result of local water conditions—but this will not affect filter performance. This discoloration is not covered by the warranty.

Filter Fillers (42" width model only)

The filter fillers should be cleaned as frequently as the baffle filters. Slide them out from the baffle filters and use a warm detergent solution. As with the baffle filters, wash more often if your cooking style generates greater grease—like frying foods or wok cooking. Wipe dry before reinstalling them to the baffle filters.

Rotary Control Knobs

Can be removed for cleaning but first, loosen the set screw using a 1/16" hexagonal key (available at your local hardware store).

Grease Drip Rail

The grease drip rail should be cleaned frequently. Remove it from the power pack (see step 6 on page 5) and use a warm detergent solution. As with the baffle filters, wash more often if your cooking style generates greater grease—like frying foods or wok cooking. Allow grease drip rail to dry completely before reinstalling it in the power pack.

Blower(s) Cleaning

Remove the filters in order to access the blower(s). Vacuum blower(s) to clean. Do not immerse in water.

Hood Cleaning

Stainless steel cleaning:

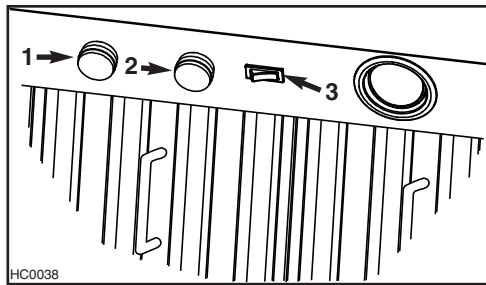
| | |
|--|---|
| <p>Do:</p> <ul style="list-style-type: none">• Regularly wash with clean cloth or rag soaked with warm water and mild soap or liquid dish detergent.• Always clean in the direction of original polish lines.• Always rinse well with clear water (2 or 3 times) after cleaning. Wipe dry completely.• You may also use a specialized household stainless steel cleaner. | <p>Don't:</p> <ul style="list-style-type: none">• Use any steel or stainless steel wool or any other scrapers to remove stubborn dirt.• Use any harsh or abrasive cleansers.• Allow dirt to accumulate.• Let plaster dust or any other construction residues reach the hood. During construction/renovation, cover the hood to make sure no dust sticks to stainless steel surface. |
|--|---|

Avoid: When choosing a detergent

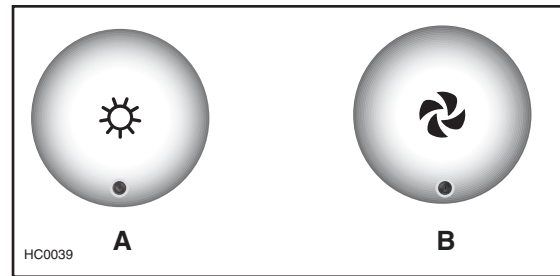
- Any cleaners that contain **bleach** will attack stainless steel.
- Any products containing: **chloride, fluoride, iodide, bromide** will deteriorate surfaces rapidly.
- Any combustible products used for cleaning such as **acetone, alcohol, ether, benzol**, etc., are highly explosive and should never be used close to a range.

19. OPERATION

Always turn your hood on before you begin cooking to establish an air flow in the kitchen. Let the blower run for a few minutes to clear the air after you turn off the range. This will help keep the whole kitchen cleaner and brighter.



- 1) Halogen light knob
- 2) Blower speed control knob
- 3) ON/OFF blower switch



- A) Halogen light knob
- B) Blower speed control knob

COOKTOP LIGHTING (HALOGEN)

A rotary 3-position knob (1) controls the halogen lights (OFF - low intensity - high intensity).

BLOWER

The blower is operated using two controls.

Use the on/off rocker switch (3) to start and stop the blower. When turned on, the blower operates at the previous setting of the speed control (2).

Turn the speed control knob counterclockwise to increase blower speed – clockwise to decrease speed.

HEAT SENTRY™

This hood is equipped with a Heat Sentry™ thermostat. This thermostat is a device that will turn on or speed up the blower if it senses excessive heat above the cooking surface.

- 1) If blower is OFF - it turns blower ON to HIGH speed.
- 2) If blower is ON at a lower speed setting – it turns the blower up to HIGH speed.

WARNING

The HEAT SENTRY™ can start the blower even if the hood is turned OFF. In this case, it is impossible to turn the blower OFF with blower switch. If you must stop the blower, do it from the main electrical panel.

When the temperature level drops to normal, the blower will return to its original setting.

20. WARRANTY

WARRANTY

ONE-YEAR LIMITED WARRANTY

Broan-NuTone LLC ("Broan-NuTone") warrants to the original consumer purchaser of its products that such products will be free from defects in materials or workmanship for a period of one year from the date of original purchase. THERE ARE NO OTHER WARRANTIES, EXPRESS OR IMPLIED, INCLUDING, BUT NOT LIMITED TO, IMPLIED WARRANTIES OF MERCHANTABILITY OR FITNESS FOR A PARTICULAR PURPOSE.

During this one-year period, Broan-NuTone will, at its option, repair or replace, without charge, any product or part which is found to be defective under normal use and service.

THIS WARRANTY DOES NOT EXTEND TO FLUORESCENT LAMP STARTERS, TUBES AND BULBS, FUSES, FILTERS, DUCTS, ROOF CAPS, WALL CAPS AND OTHER ACCESSORIES FOR DUCTING. This warranty does not cover (a) normal maintenance and service or (b) any products or parts which have been subject to misuse, negligence, accident, improper maintenance or repair (other than by Broan-NuTone), faulty installation or installation contrary to recommended installation instructions.

The duration of any implied warranty is limited to the one-year period as specified for the express warranty. Some states or provinces do not allow limitation on how long an implied warranty lasts, so the above limitation may not apply to you.

BROAN-NUTONE'S OBLIGATION TO REPAIR OR REPLACE, AT BROAN-NUTONE'S OPTION, SHALL BE THE PURCHASER'S SOLE AND EXCLUSIVE REMEDY UNDER THIS WARRANTY. BROAN-NUTONE SHALL NOT BE LIABLE FOR INCIDENTAL, CONSEQUENTIAL OR SPECIAL DAMAGES ARISING OUT OF OR IN CONNECTION WITH PRODUCT USE OR PERFORMANCE. Some states or provinces do not allow the exclusion or limitation of incidental or consequential damages, so the above limitation or exclusion may not apply to you.

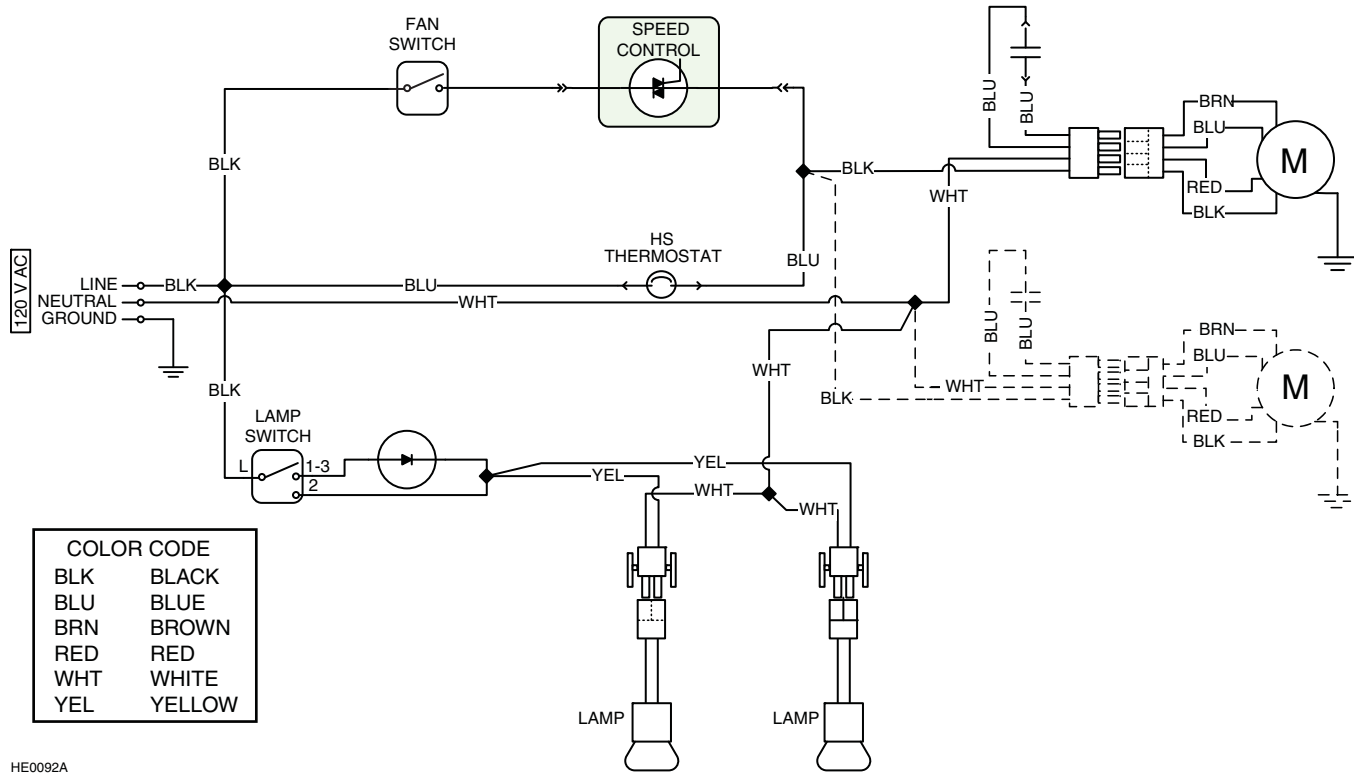
This warranty gives you specific legal rights, and you may also have other rights, which vary from state to state or province to another. Any modification performed on this product without the authorization of Broan-NuTone will void this warranty. This warranty supersedes all prior warranties.

To qualify for warranty service, you must (a) notify Broan-NuTone at the address or telephone number stated below, (b) give the model number and part identification and (c) describe the nature of any defect in the product or part. At the time of requesting warranty service, you must present evidence of the original purchase date.

Best[®], 926 W. State Street, Hartford, WI 53027 (1-800-637-1453)

www.bestrangehoods.com

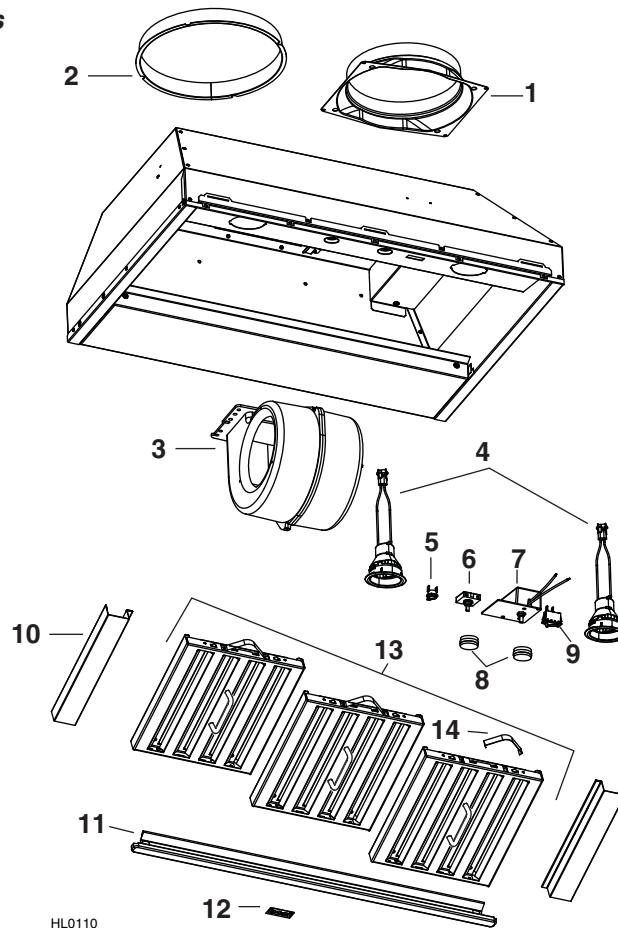
21. WIRING DIAGRAM



HE0092A

22. SERVICE PARTS

Best CP35 & CP37 Series



HL0110

| KEY No. | PART No. | DESCRIPTION | QTY. (POWER PACK WIDTH) | | | |
|---------|----------|--|-------------------------|-----|-----|-----|
| | | | 30" | 36" | 42" | 48" |
| 1 | SV08543 | ADAPTER/DAMPER 8" ROUND | 1 | 1 | 1 | - |
| 2 | SV08541 | ADAPTER 10" ROUND | - | - | - | 1 |
| 3 | SV08097 | INTERNAL BLOWER | 1 | 1 | 1 | 2 |
| 4 | SV05921 | LAMP SHELL, SOCKET & TRIM ASS'Y | 2 | 2 | 2 | 2 |
| 5 | SV03435 | HEAT SENTRY™ THERMOSTAT | 1 | 1 | 1 | 1 |
| 6 | SV08338 | LIGHT SWITCH | 1 | 1 | 1 | 1 |
| 7 | SV03501 | SPEED CONTROL | 1 | 1 | 1 | 1 |
| 8 | SV08578 | BLOWER AND LIGHT KNOBS (2 KNOBS) | 1 | 1 | 1 | 1 |
| 9 | SV08548 | BLOWER ROCKER SWITCH | 1 | 1 | 1 | 1 |
| 10 | SV17852 | FILTER FILLER (PAIR) | - | - | 1 | - |
| 11 | SV17870 | GREASE RAIL 30" | 1 | - | - | - |
| | SV17871 | GREASE RAIL 36" | - | 1 | - | - |
| | SV17872 | GREASE RAIL 42" | - | - | 1 | - |
| | SV17873 | GREASE RAIL 48" | - | - | - | 1 |
| 12 | SV05869 | BEST LOGO | 1 | 1 | 1 | 1 |
| 13 | SV17600 | BAFFLE FILTER 8.84" x 9.80" | 3 | 1 | 4 | 5 |
| | SV17603 | BAFFLE FILTER 11.84" x 9.80" | 0 | 2 | 0 | 0 |
| 14 | SV08337 | FILTER SPRING (SET OF 6) | 1 | 1 | 1 | 1 |
| * | SV08541 | 10" ROUND VERTICAL IN LINE DAMPER | - | - | - | 1 |
| * | SV08544 | INSTALLATION GUIDE | 1 | 1 | 1 | 1 |
| | SV08545 | PARTS BAG ([2] WIRE CONNECTORS, [1] WIRE CLAMP, [4] SCREWS NO. 8 x 3/8" [9] CHROME PLATED SCREWS NO. 8 x 1/2", [10] MECHANICAL SCREWS NO. 8-32 x 1/4") | 1 | 1 | 1 | 1 |

* NOT SHOWN.