

Specification Sheet

Model SU 901

Professional Series built-in range hood



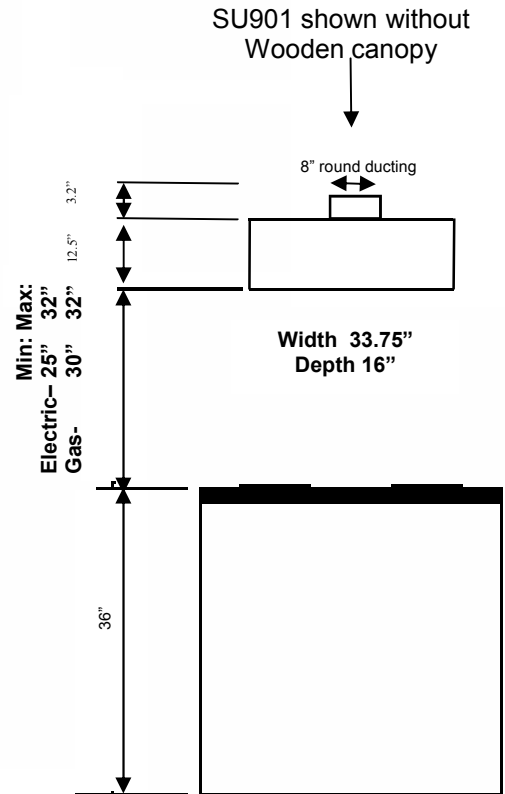
Product Features:

- Custom wall or island mount canopy insert or for under cabinet mount applications
- For use over domestic cooking equipment
- 8" round vertical ducting - not supplied
- 1200 cfm die cast aluminum squirrel cage blower
- Very quiet operation at 66DbA / 5.1 sones maximum
- Commercial style baffle filters
- Brushed stainless steel
- 4 speed push button settings
- 10 minute timer
- Dishwasher safe baffle filter
- 2 x 20W halogen lamps
- Heat sensor overload protection

Optional Items:

- Replacement baffle filter - code BFSS
- Replacement halogen bulbs

Dimensions and installation measurements



Notes and comments:



Sirius Range Hoods - USA and Canada

Tel: +866 528-4987 Fax: +866 365-9204 email: info@siriushoods.com

Specification Sheet

Model SU 901

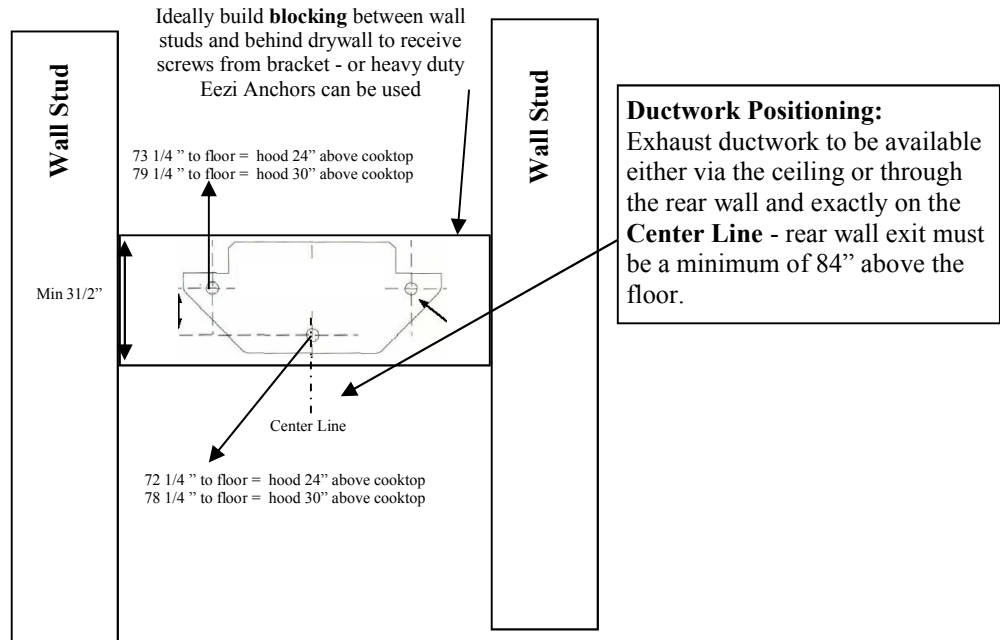
Professional Series Canopy wall mount range hood



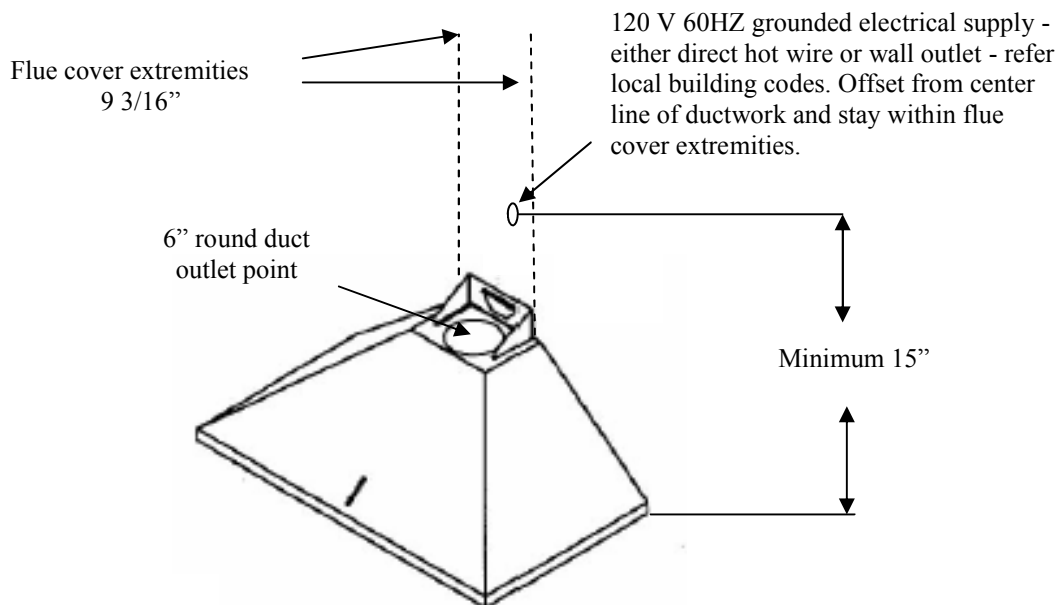
Sirius
Range Hoods

Sirius Range Hoods Ltd accepts no liability for any errors or omissions in this document and it is provided for guidance only - we reserve the right to change any information presented here in from time to time.

Preparation of wall structure to receive mounting bracket



Preparation of Wiring location



Sirius Range Hoods - USA and Canada

Tel: +866 528-4987 Fax: +866 365-9204 email: info@siriushoods.com