



# SU3

- Motor: **600 cfm**  
Aluminium die-cast motor housing
- Pressure: **480 Pa**
- Noise level: **63 dBA/4.9 sones**



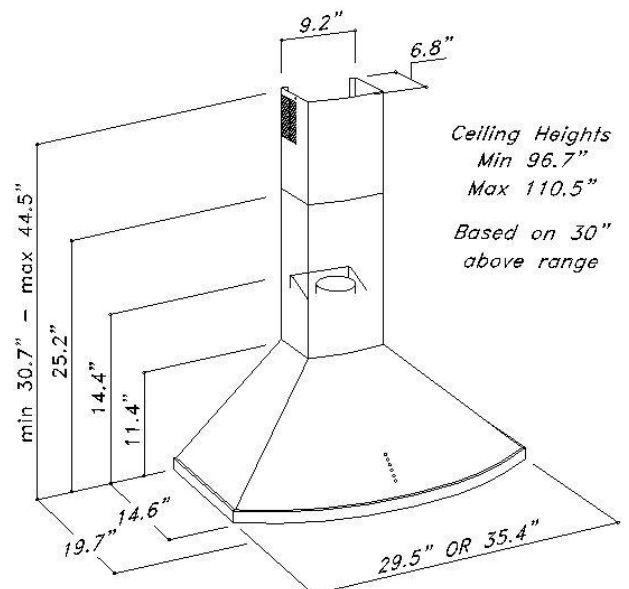
- Lighting: 2x20W halogen lamps



- Control panel: 4 speed push-button + timer + light switch



- grease filter: anodized aluminium (5+1 layers)
- Stainless steel: AISI 430



**Sirius**