

FABER

STRATUS

Installation Instructions
Use and Care Information

Instructions d'installation
Utilisez et d'entretien

Instrucciones de instalación
Información de uso y cuidado

STRTIS36WHV
STRTIS48WHV
STRTIS36SSV
STRTIS48SSV

CONTENTS

Section	Page
Important safety instructions	3
Range hood dimensions	6
Installation height requirements	7
Parts	8
Tools needed	10
Choose your ducting method	11
Ceiling hood install preparation	14
Installation information	16
Internal blower installation	17
Installation of range hood body	19
Ceiling mounting instructions	20
Connect the ducting - ducted venting installation	22
Connect the ducting - non ducted - recirculation options	23
House wiring box connection	24
Operating the controls	26
Faber Cloud App	32
Remote control	33
Cleaning stainless steel	33
Caring for filters	34
Replacing lighting	35
Wiring diagram	36
Warranty	37

IMPORTANT SAFETY INSTRUCTIONS

READ AND SAVE THESE INSTRUCTIONS BEFORE YOU START INSTALLING THIS RANGE HOOD

WARNING: - TO REDUCE THE RISK OF A RANGE TOP GREASE FIRE:

- a) Never leave surface units unattended at high settings. Boilovers cause smoking and greasy spillovers that may ignite. Heat oils slowly on low or medium setting.
- b) Always turn hood ON when cooking at high heat or when flambeing food (i.e. Crepes Suzette, Cherries Jubilee, Peppercorn Beef Flambé).
- c) Clean ventilating fans frequently. Grease should not be allowed to accumulate on fan or filter.
- d) Use proper pan size. Always use cookware appropriate for the size of the surface element.

WARNING: - TO REDUCE THE RISK OF INJURY TO PERSONS IN THE EVENT OF A RANGE TOP GREASE FIRE, OBSERVE THE FOLLOWING*:

- a) **SMOTHER FLAMES** with a close-fitting lid, cookie sheet, or metal tray, then turn off the burner. **BE CAREFUL TO PREVENT BURNS.** If the flames do not go out immediately **EVACUATE AND CALL THE FIRE DEPARTMENT.**
- b) **NEVER PICK UP A FLAMING PAN** - You may be burned.
- c) **DO NOT USE WATER**, including wet dishcloths or towels - a violent steam explosion will result.
- d) Use an extinguisher **ONLY if:**
 1. You know you have a Class ABC extinguisher, and you already know how to operate it.
 2. The fire is small and contained in the area where it started.
 3. The fire department is being called.
 4. You can fight the fire with your back to an exit.

* Based on "Kitchen Firesafety Tips" published by NFPA

WARNING - TO REDUCE THE RISK OF FIRE OR ELECTRIC SHOCK, do not use this fan with any solid-state speed control device.

WARNING - TO REDUCE THE RISK OF FIRE, ELECTRICAL SHOCK, OR INJURY TO PERSONS, OBSERVE THE FOLLOWING:

1. Use this unit only in the manner intended by the manufacturer. If you have any questions, contact the manufacturer.
2. Before servicing or cleaning unit, switch power off at service panel and lock the service disconnecting means to prevent power from being switched on accidentally. When the service disconnecting means cannot be locked, securely fasten a prominent warning device, such as a tag, to the service panel.

CAUTION: For General Ventilating Use Only. Do Not Use To Exhaust Hazardous or Explosive Materials and Vapors.

WARNING - TO REDUCE THE RISK OF FIRE, ELECTRICAL SHOCK, OR INJURY TO PERSONS, OBSERVE THE FOLLOWING:

1. Installation Work And Electrical Wiring Must Be Done By Qualified Person(s) In Accordance With All Applicable Codes And Standards, Including Fire-Rated Construction.
2. Sufficient air is needed for proper combustion and exhausting of gases through the flue (chimney) of fuel burning equipment to prevent backdrafting. Follow the heating equipment manufacturer's guideline and safety standards such as those published by the National Fire Protection Association (NFPA), and the American Society for Heating,

- Refrigeration and Air Conditioning Engineers (ASHRAE), and the local code authorities.**
- 3. When cutting or drilling into wall or ceiling, do not damage electrical wiring and other hidden utilities.**
 - 4. Ducted fans must always be vented to the outdoors.**

ALL WALL AND FLOOR OPENINGS WHERE THE RANGE HOOD IS INSTALLED MUST BE SEALED.

This Range Hood requires at least 35" of clearance between the bottom of the Range Hood and the cooking surface or countertop. This hood has been approved by UL at this distance from the cooktop.

Consult the cooktop or range installation instructions given by the manufacturer before making any cutouts. **MOBILE HOME INSTALLATION** The installation of this Range Hood must conform to the Manufactured Home Construction and Safety Standards, Title 24 CFR, Part 3280 (formerly Federal Standard for Mobile Home Construction and Safety, Title 24, HUD, Part 280).

Attention: This hood has been engineered to minimize electromagnetic interference (EMI) originating from the consumer's home power source. However, in some home application, ambient EMI and excessive EMI from other electronic sources can compromise the reliability of the remote control.

Please speak with your Faber Distributor about an optional spare part to further reduce EMI from home sources.

VENTING REQUIREMENTS

Determine which venting method is best for your application. Ductwork can extend either through the wall or the roof.

The length of the ductwork and the number of elbows should be kept to a minimum to provide efficient performance. The size of the ductwork should be uniform. Do not install two elbows together. Use duct tape to seal all joints in the ductwork system. Use caulking to seal exterior walls and ceiling space opening around the cap.

Flexible ductwork is not recommended. Flexible ductwork creates back pressure and air turbulence that greatly reduces performance.

Make sure there is proper clearance within the walls and ceiling space for exhaust duct before making cutouts. Do not cut a joist or stud unless absolutely necessary. If a joist or stud must be cut, then a supporting frame must be constructed.

WARNING - To Reduce The Risk Of Fire, Use Only Metal Ductwork.

CAUTION - To reduce risk of fire and to properly exhaust air, be sure to duct air outside – Do not vent exhaust air into spaces within walls or ceilings or into attics, crawl spaces, or garages.

WARNING: To Reduce The Risk Of Fire, Electric Shock Or Injury To Persons, Do Not Use Replacement Parts That Have Not Been Recommended By The Manufacturer (e.g. Parts Made At Home Using A 3D Printer).

Cold Weather installations

An additional back draft damper should be installed to minimize backward cold air flow and a nonmetallic thermal break should be installed to minimize conduction of outside temperatures as part of the vent system. The damper should be on the cold air side of the thermal break. The break should be as close as possible to where the vent system enters the heated portion of the house.



WARNING

- Venting system **MUST** terminate outside the home.
- **DO NOT** terminate the ductwork in an attic or other enclosed space.
- **DO NOT** use 4" laundry-type wall caps.
- Flexible-type ductwork is not recommended.
- **DO NOT** obstruct the flow of combustion and ventilation air.
- Failure to follow venting requirements may result in a fire.

ELECTRICAL REQUIREMENTS

A 120 volt, 60 Hz AC-only electrical supply is required on a separate 15 amp fused circuit. A time-delay fuse or circuit breaker is recommended. The fuse must be sized per local codes in accordance with the electrical rating of this unit as specified on the serial/rating plate located inside the unit near the field wiring compartment.

ELECTRICAL INSTALLATION WITH WIRING BOX

THIS UNIT MUST BE CONNECTED WITH COPPER WIRE ONLY. Wire sizes must conform to the requirements of the National Electrical Code, ANSI/NFPA 70 - latest edition, and all local codes and ordinances. Wire size and connections must conform with the rating of the appliance. Copies of the standard listed above may be obtained from:

National Fire Protection Association
BatteryMarch Park
Quincy, Massachusetts 02269

This appliance should be connected directly to the fused disconnect (or circuit breaker) through flexible, armored or nonmetallic sheathed copper cable. Allow some slack in the cable so the appliance can be moved if servicing is ever necessary. A UL Listed, 1/2" conduit connector must be provided at each end of the power supply cable (at the appliance and at the junction box).

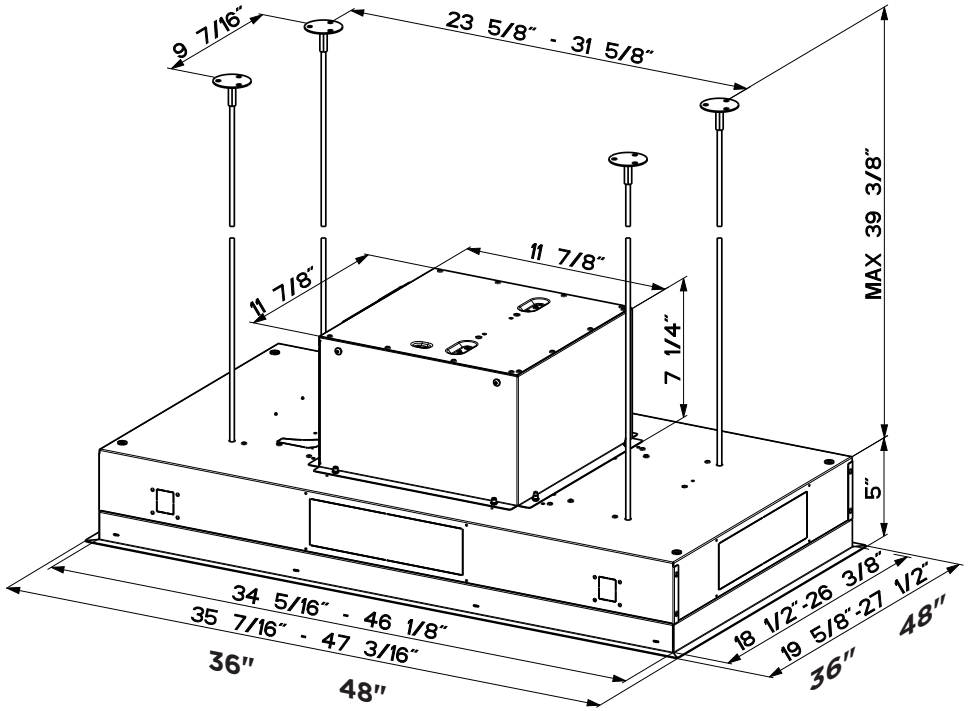
When making the electrical connection, cut a 1 1/4" hole. A hole cut through wood must be sanded until smooth. A hole through metal must have a grommet.



WARNING

- Electrical ground is required on this Range Hood.
- If cold water pipe is interrupted by plastic, nonmetallic gaskets or other materials, **DO NOT** use for grounding.
- **DO NOT** ground to a gas pipe.
- **DO NOT** have a fuse in the neutral or grounding circuit. A fuse in the neutral or grounding circuit could result in electrical shock.
- Check with a qualified electrician if you are in doubt as to whether the Range Hood is properly grounded.
- Failure to follow electrical requirements may result in a fire.

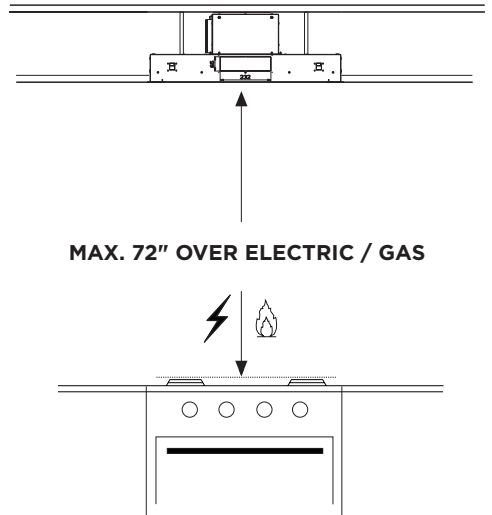
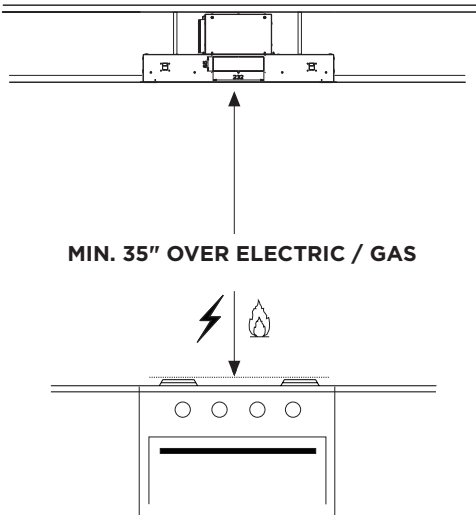
RANGE HOOD DIMENSIONS



INSTALLATION HEIGHT REQUIREMENTS

Recommended 60" mounting height above the cooking surface for best performance, but can be mounted up to 72" maximum away the cooking surface.



An access point to the hood from the ceiling or soffit must be made for installation and future access to the range hood.

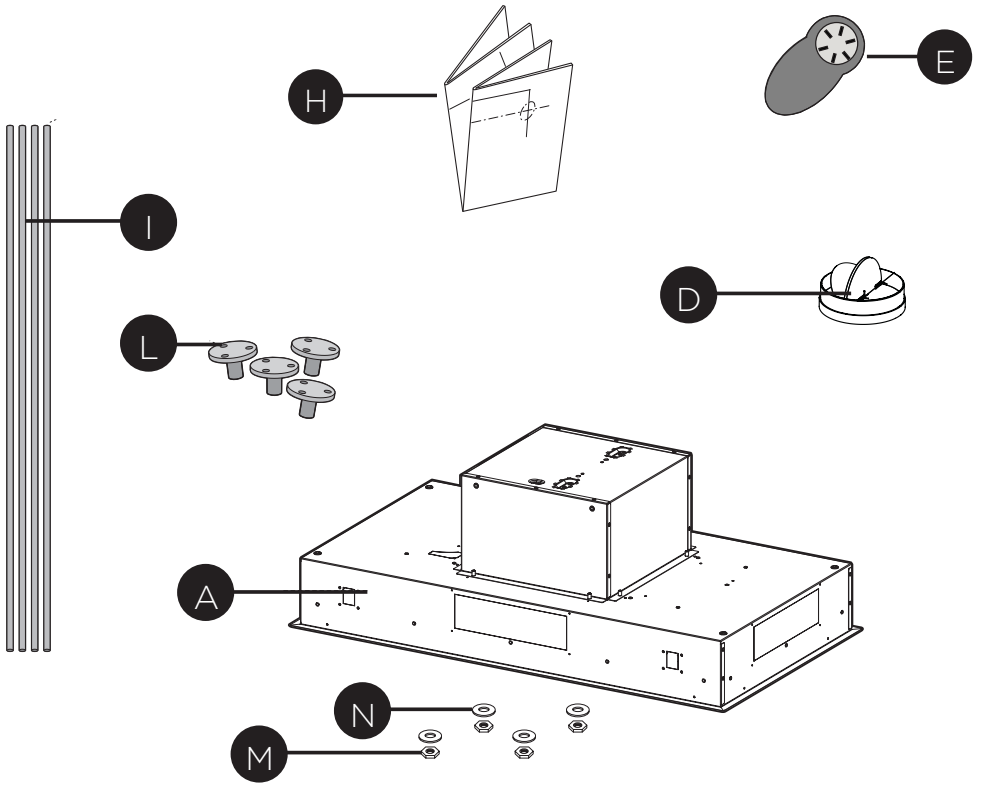


PARTS

PARTS INCLUDED




REF.	PART	QTY
A	Hood Body, complete with: Controls, Lights, Filters.	1
D	Damper ø 6"	1
E	Remote Control	1
H	Drilling Template	1
I	Threaded bar bolt	4
L	Ceiling bolt bracket	4

REF	PART	QTY	
M	Nut		4
N	Washer		4



PARTS (cont.)




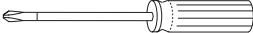

PARTS NEEDED

PART	
6" Round Metal Ductwork	
Wire connectors.	
Drywall plugs or other suitable wall fasteners based on your installation.	

ACCESSORIES AVAILABLE

ACCESSORY	SKU#
Activated Charcoal Filter Accessory Kit	#FILTER1
Washable Long-Lasting Activated Charcoal Filter Kit	#FILTER1LL

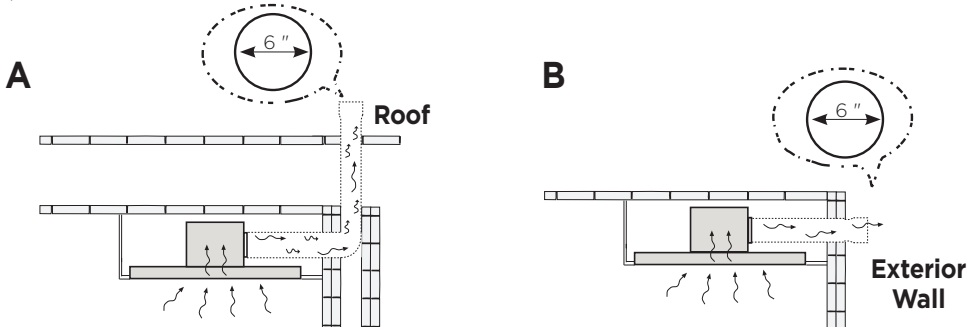
TOOLS NEEDED

TOOL	
Tape Measure	
Pencil	
Electric Drill with 5/16" Drill Bit	
Phillips Screwdriver	
Work gloves	

CHOOSE YOUR DUCTING METHOD

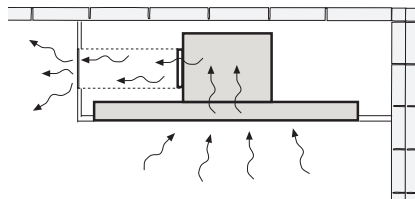
Ducted Venting Options

Caution: If an elbow is required, do it as far away from the hood's exhaust opening as possible.



Non Ducted - Recirculation Options

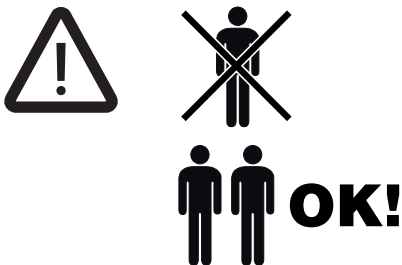
Activated Charcoal Filter Accessory FILTER1 or FILTERILL required (Purchased separately). Register cover for air duct exit is shown for design not included.



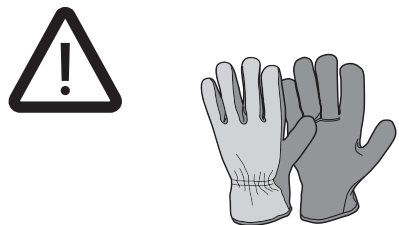
Register cover for air duct exit is suggested.

Attention: When used in recirculation mode, To Reduce the Risk of Fire and Shock use only conversion kit Model FILTER1 or FILTERILL.

Two men required for installation



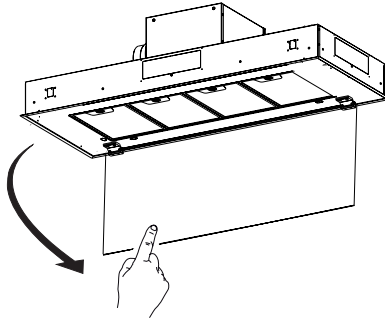
Wear work gloves for safety



STRTIS36WHV - STRTIS48WHV

1

Open the filter cover panel. The filter cover panel is held by a magnet catch, pull down with enough force to release as shown below.

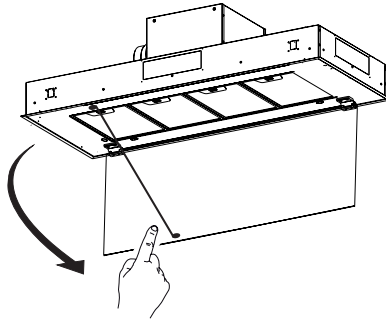


STRTIS36SSV - STRTIS48SSV

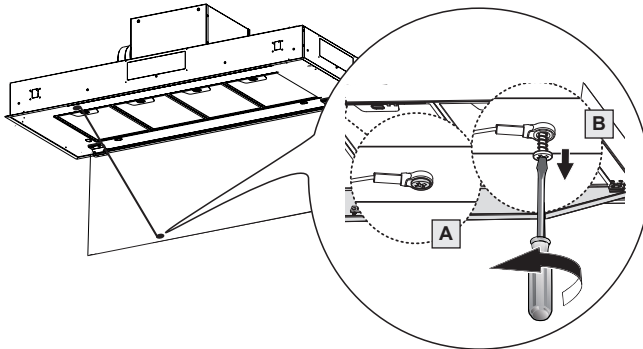
1

Warning! The cover panel is equipped with a safety system.

Open the filter cover panel. The filter cover panel is held by a magnet catch, pull down with enough force to release as shown below.

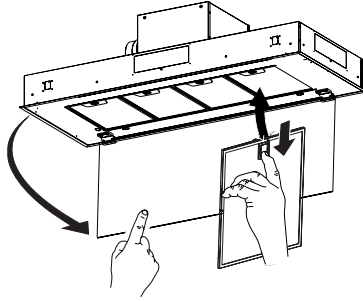


Remove the safety system screw as shown.



2

Remove the grease filters one at a time, pushing them towards the back of the unit, and at the same time pulling downward and set aside.

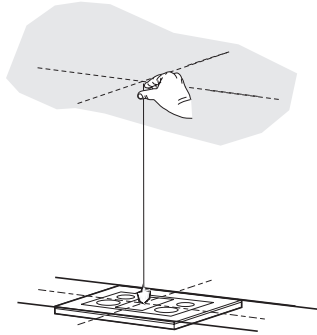


CEILING HOOD INSTALL PREPARATION

Do not make any cutouts until you have decided whether this installation will be ducted or non-ducted and wiring has been prepared based on based on blower type.

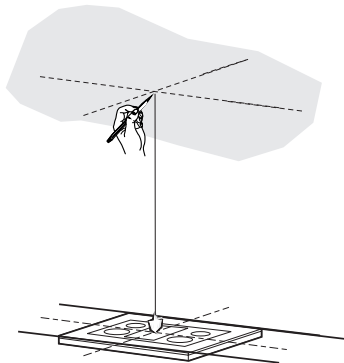
3

Use a plumb line to mark the center of the range on the ceiling.



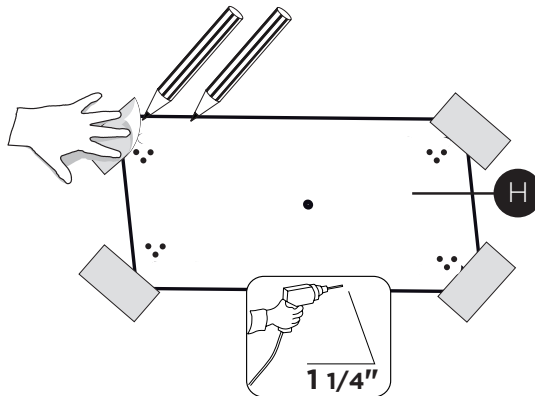
4

Mark the centers.



5

- For all installations, an access point to the hood must be created for installation and future maintenance of the hood.
- Put a thick, protective covering over cooktop to protect from damage or dirt.
- Use the mounting template on the ceiling to determine placement of mounting screws on the ceiling.
- Mark the center of the holes in the ceiling template.
- Determine and make necessary cuts for the ductwork.
- Install ductwork before mounting the hood.
- Determine the proper location for the Power Supply Cable as indicated on the Template.
- Use a 1 1/4" Drill Bit to make this hole.
- Run the Power Supply Cable. Use caulking to seal around the hole.
- A knockout for threading through the Power Supply from the ceiling is located on the top of the Range Hood.
- Do not connect the Power Cable to the Wiring Box or power up the hood at this time.
- Run enough power cable from the ceiling to reach the wiring box on the hood.

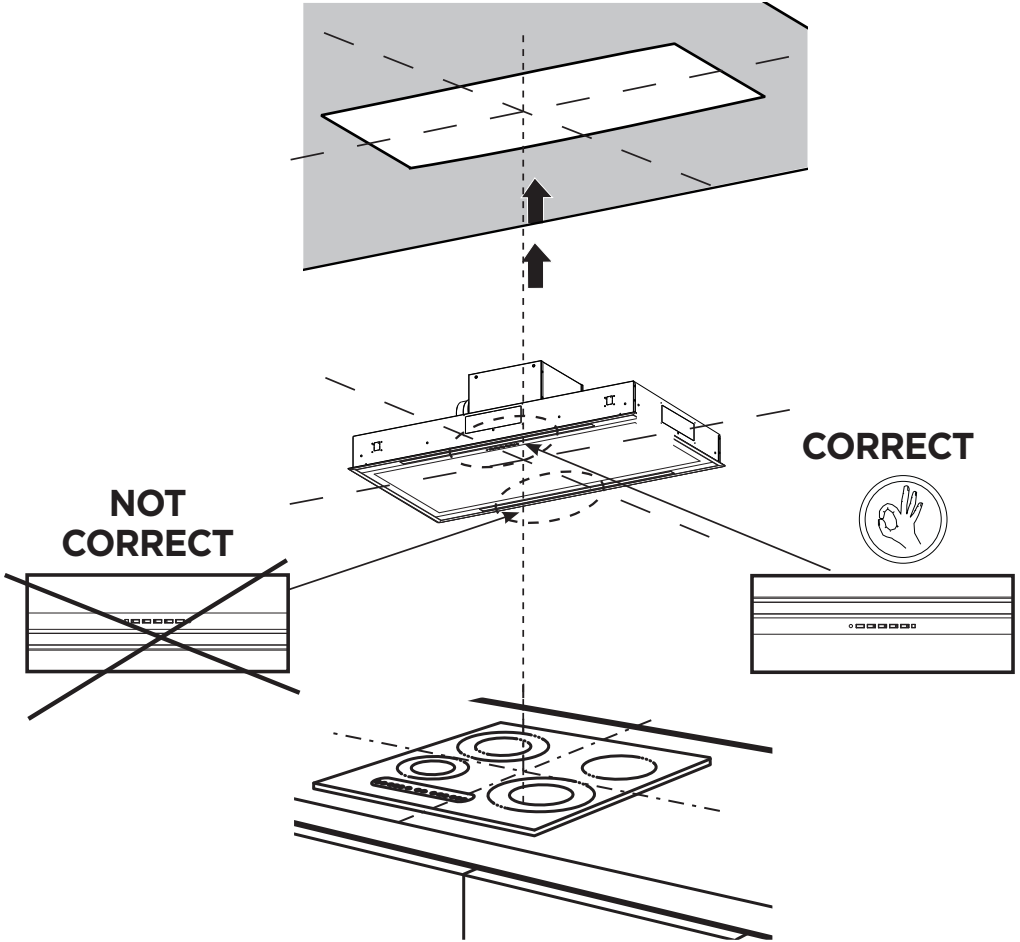


WARNING

DUE TO THE SIZE AND WEIGHT OF THIS Range Hood, THE SUPPORT MUST BE FIRMLY ATTACHED TO THE CEILING. For plaster or sheet rock ceiling, the support must be attached to the joists. If this is not possible, a support structure must be built behind the plaster or sheet rock. The manufacturer assumes no responsibility for injury or damage caused by improper installations.

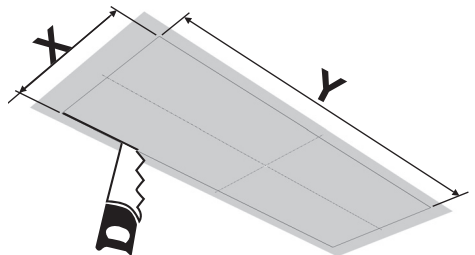
INSTALLATION INFORMATION

In preparation for installation of the hood, orient the hood with the control panel on the front of hood as shown below.



Hood	X	Y
36"	18 11/16"	34 9/16"
48"	26 9/16"	46 3/8"

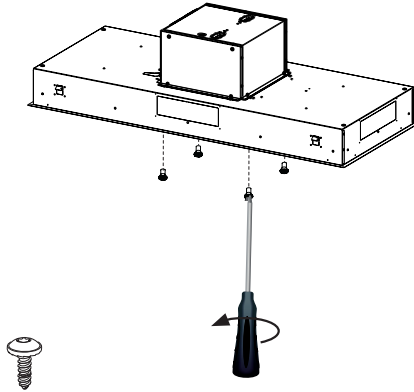
See image with dimensions for ceiling cutout.



INTERNAL BLOWER INSTALLATION

1 Separate Box and Range Hood

Unfasten the 4 screws to dismount the Box for the blower.



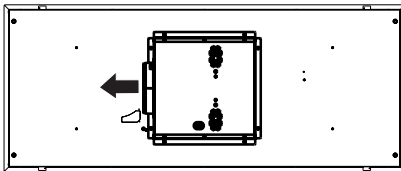
Torx
Screwdriver



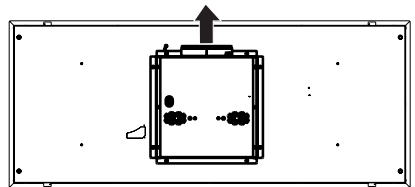
2 Choose the Box position (Left-Right-Back-Front)

The blower can be positioned in four different venting directions as shown. Rotate the Box with Blower in the correct position.

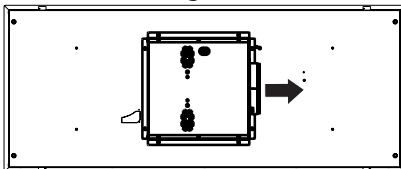
Left



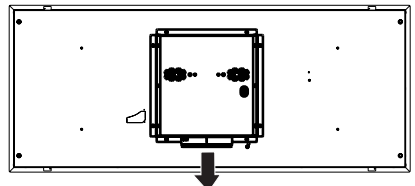
Back



Right



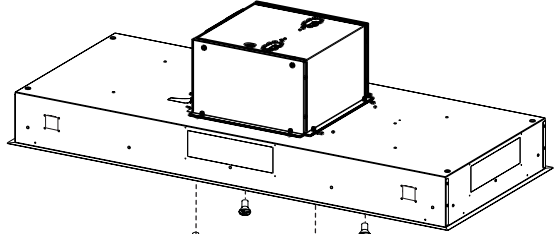
Front



3

Attach Motor Box to the Range Hood

Attach the Box with the Blower with the same 4 screws removed previously.



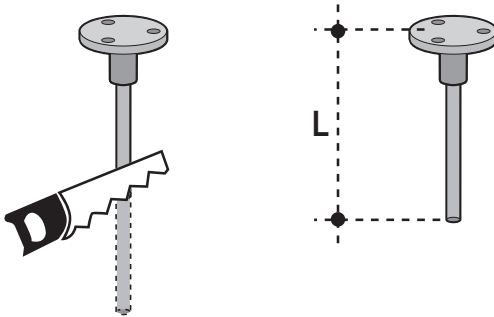
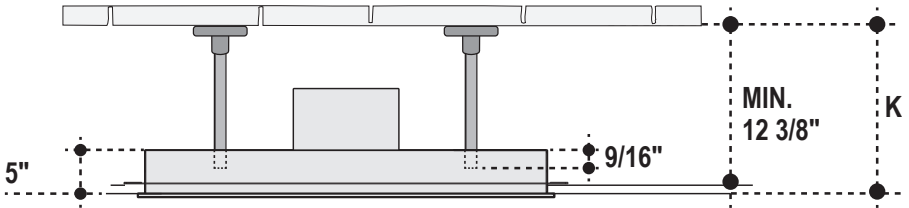
Torx
Screwdriver



INSTALLATION OF RANGE HOOD BODY

4

Assemble the Range Hood Mounting Brackets



$$L = K - 4 \frac{1}{2}''$$

To determine the length of the 4 mounting bolts:

Measure the total distance between the ceiling mounting area and the bottom of the hood / where the ceiling begins.

Subtract 4 1/2" (5 1/16" - 9/16") from the total distance to determine the correct length. Trim the excess length of the bolts.

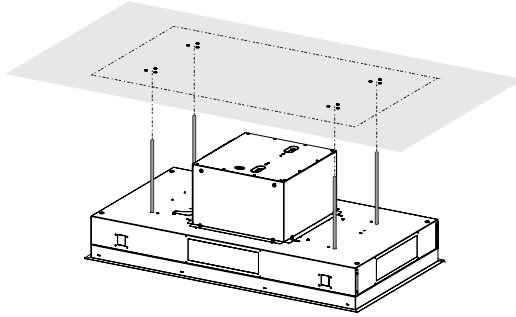
For example if 13" is between the mounting area and the ceiling , $13'' - 4 \frac{1}{2}'' = 8 \frac{1}{2}''$ would be the total length needed for the bolts.

CEILING MOUNTING INSTRUCTIONS

5

Ceiling Mark

See below for a detailed image on drilling the holes onto the fastening surface (inside ceiling or soffit) that will be used to mount the bolts. The fasteners used must be compatible with the 5/16" holes and are purchased separately.

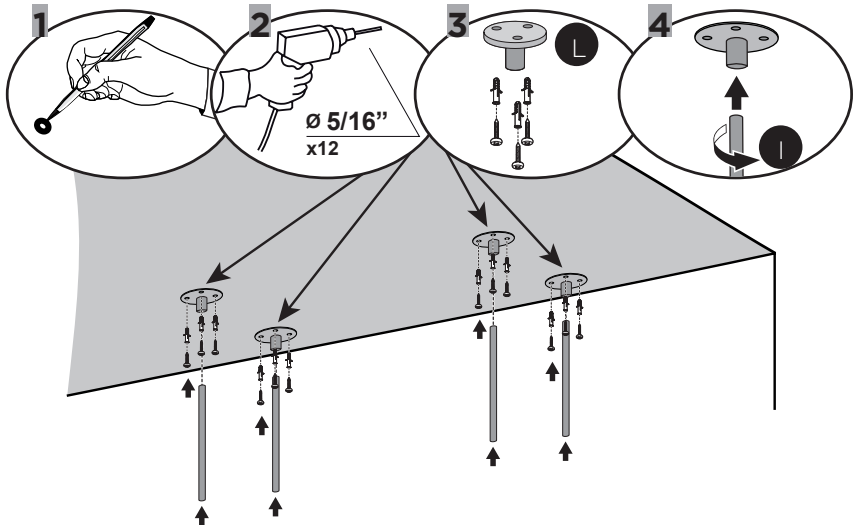


6

Bolt Installation on the Ceiling

Use holes created with drilling template for location of the ceiling fasteners (purchased separately).

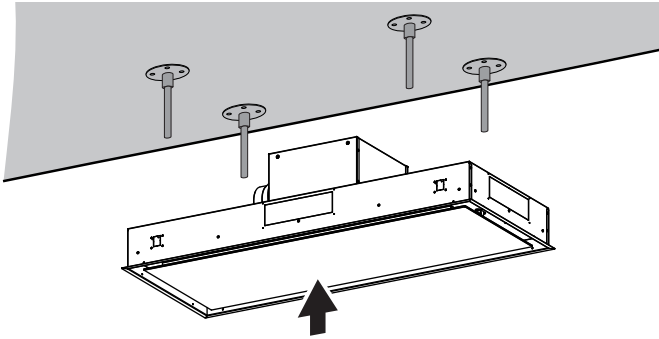
Use wall plugs or other securing hardware in conjunction with the ceiling fasteners (purchased separately).



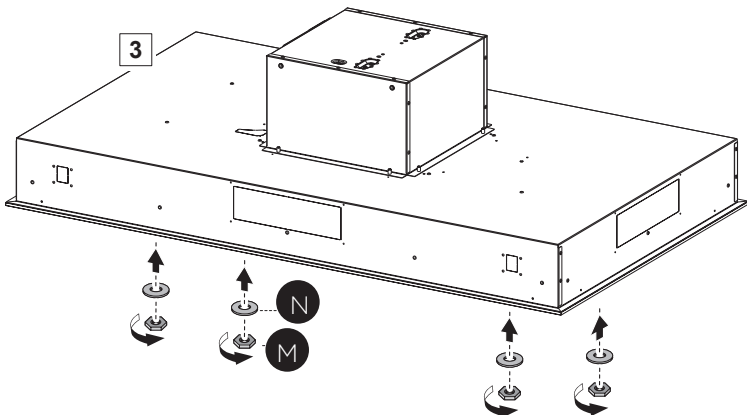
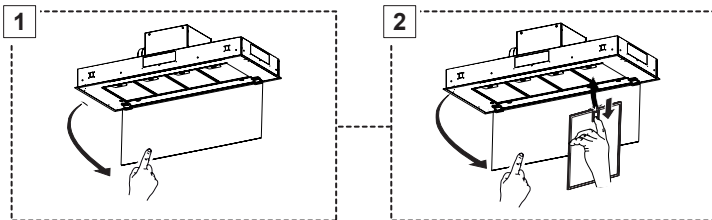
1. Use a 5/16" Drill Bit to make these hole.
2. Use wall plugs if appropriate or other securing hardware in conjunction with the ceiling fasteners (purchased separately).
3. Attach the threaded bolts to the ceiling bolt brackets by screwing the bolt into the bracket until tight and secure.

7**Bracket Installation on Ceiling**

Make sure the bolts are the correct distance apart to fit into the corresponding holes in the hood.

**8****Bracket Installation on Ceiling**

Pull down the perimetric panel and remove the grease filters. Carefully push the hood into the ceiling and insert the 4 bolts into the accepting holes on the hood. Attach the washer and nuts tightly onto the 4 bolts.

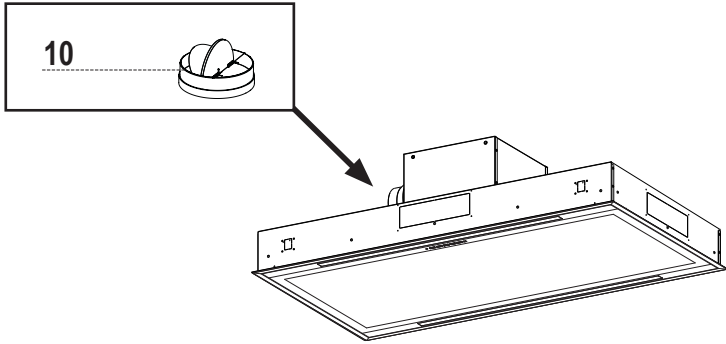


CONNECT THE DUCTING DUCTED VENTING INSTALLATION

9

Install the Damper

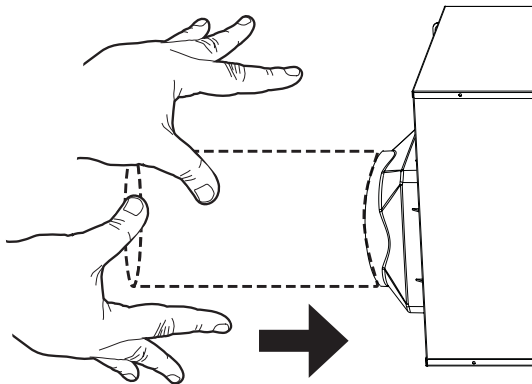
Install Damper that is included with the Hood before connecting to the ductwork. Seal with foil duct tape.



10

Connect to Air Outlet

Connect the hood to the pipe for air outlet. Use foil duct tape to seal the joint.

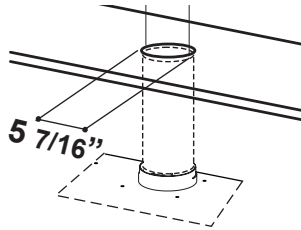


CONNECT THE DUCTING

NON DUCTED - RECIRCULATION OPTIONS

11

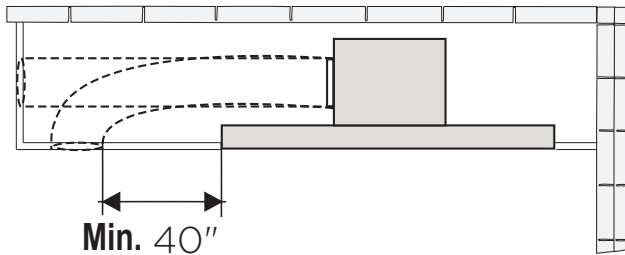
Recirculation Hole



12

Information for Recirculation Hole

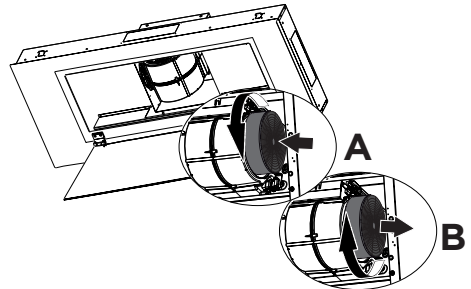
Keep the return air duct at least 40" away from the side of the Range Hood.



13

Install Activated Charcoal Filter Kit

- Attach each charcoal filter to the black grid on each side of the blower.
- Press the charcoal filter tightly to the black grid on the blower side and rotate the filter clockwise (towards the front of the insert hood) until it locks into place (A).
- Turn counterclockwise (towards the back of the insert hood) to remove (B).



Caution: When used in recirculation mode, To Reduce the Risk of Fire and Shock use only conversion kit Model Required Activated Charcoal Filter Accessory - sku # - FILTER1 or FILTER1LL (purchased separately)



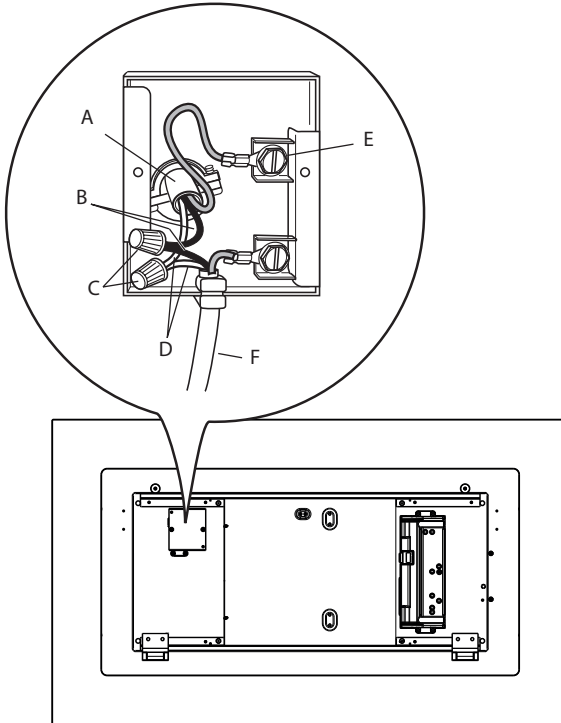
HOUSE WIRING BOX CONNECTION

14

WIRING HOUSE POWER TO THE HOOD

Installation Of House Power Wiring Box Connection

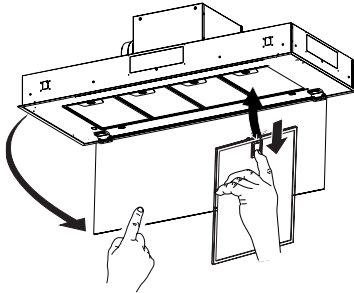
1. Remove the cover from the field wiring compartment. **DO NOT** turn on the power until installation is complete!
2. Connect the Power Supply Cable to the Range Hood.
3. Connect the Green (Green and Yellow) ground wire under the Green grounding screw.
4. Attach the White lead of the power supply to the White lead of the Range Hood with a twist-on type wire connector.
5. Attach the Black lead of the power supply to the Black lead of the Range Hood with a twist-on type wire connector.
6. Replace the Wiring Box cover and the grease filters.
7. Check the Wiring Diagram.



- A. Home power supply cable.
- B. Black wires.
- C. UL listed wire connectors.
- D. White wires.
- E. Green (or bare) ground wire from home power supply to be connected to green ground screw.
- F. Range hood power supply cable.

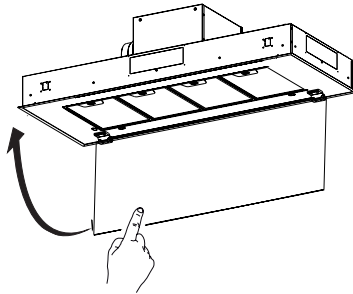
15

Replace the grease filters.



16

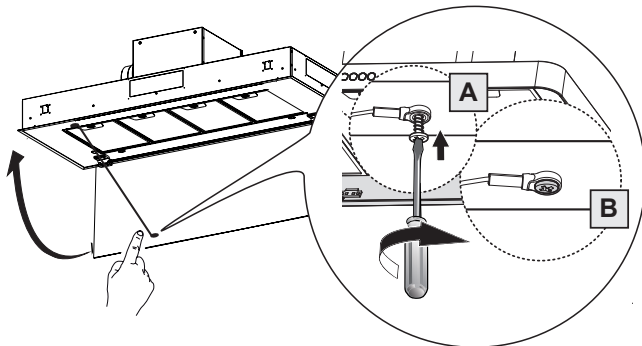
Close the filter cover panel.



STRTIS36SSV - STRTIS48SSV

16

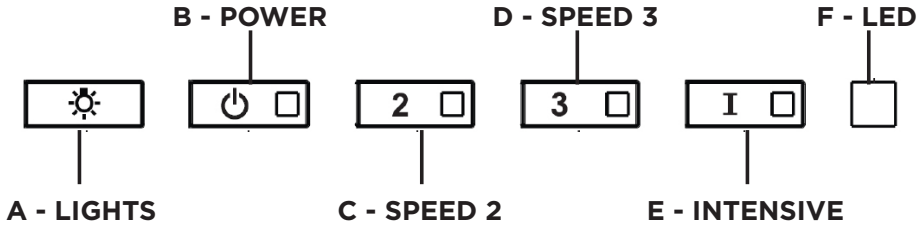
Warning! The cover panel is equipped with a safety system.
Close the filter cover panel.
Fix the safety system screw removed previously as shown.






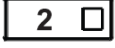


OPERATING THE CONTROLS

FOR BEST RESULTS

Start the Range Hood several minutes before cooking to develop proper airflow. Allow the Range Hood to operate for several minutes after cooking is complete to clear all smoke and odors from the kitchen.



BUTTON	FUNCTION	INDICATOR
	A - LIGHTS - The lights have 3 levels - high, low, off - a quick press of the light button changes the levels. It is also possible to change the "color temperature" or "kelvin scale" on this hood. Using a 2 second long press, it is possible to vary the color of the light between "warm" and "cold". There are 5 possible color choices.	
	B - POWER - A quick press turns the motor on/off at speed one	
	C - SPEED 2 - A quick press turns the motor on at speed two	
	Activate / Deactivate charcoal filter alarm - A long press with the lights on and motor off will activate or deactivate the charcoal alarm.	All LED's flash twice (alarm activated). All LED's lit for 1 second (alarm deactivated)
	D - SPEED 3 - A quick press turns the motor on at speed three	
	Reset Grease Filter and / or Charcoal Filter Alarm - A long press with the motor and lights off to reset the filter wash alarms	All LED's flash 3 times

BUTTON	FUNCTION	INDICATOR
	<p>E - INTENSIVE LEVEL 1 - A quick press will operate intensive speed level 1 for 6 minutes.</p>	
 	<p>Grease Filter Alarm - If the speed two and intensive buttons are lit, this means the Grease Filter saturation alarm is activated and the grease filters should be washed. The alarm turns on after 100 hours of operation.</p> <p>Charcoal Filter Alarm - if the alarm is activated, the speed two and intensive lights will blink. This means the Charcoal filters should be replaced AND the grease filters should be washed. The charcoal filter alarm turns on after 200 hours of operation.</p>	 

WI-FI INFORMATION

This device complies with part 15 of the FCC Rules. Operation is subject to the following two conditions: (1) This device may not cause harmful interference, and (2) this device must accept any interference received, including interference that may cause undesired Operation.

Note: This equipment has been tested and found to comply with the limits for a Class B digital device, pursuant to Part 15 of the FCC Rules. These limits are designed to provide reasonable protection against harmful interference in a residential installation. This equipment generates, uses and can radiate radio frequency energy and, if not installed and used according to the instructions, can cause harmful interference to radio communications. However, there is no guarantee that interference will not occur in a particular installation.

If this equipment causes harmful interference to radio or television reception, which can be determined by turning the equipment off and on again, the user is invited to try to correct the interference by taking one or more of the following measures:

- Reorient or reposition the receiving antenna.
- Increase the separation between the equipment and the receiver.
- Connect the equipment to an outlet on a circuit other than the one to which the receiver is connected.
- Consult your dealer or an experienced radio/TV technician for assistance.





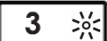



Modifications to this product not authorized by Faber may invalidate electromagnetic compatibility (EMC) and wireless compliance and deny permission to use the product.

This product demonstrated EMC compliance under conditions that included the use of compliant peripheral devices and shielded cables between system components. It is important to use compliant peripherals and shielded cables between system components to reduce the possibility of causing interference to radios, televisions, and other electronic devices.

Exposure to radio frequency energy. The radiated output power of this device meets the limits of FCC & IC radio frequency exposure limits. This device should be used with a minimum separation distance of 20 cm (8 inches) between the equipment and a person's body.

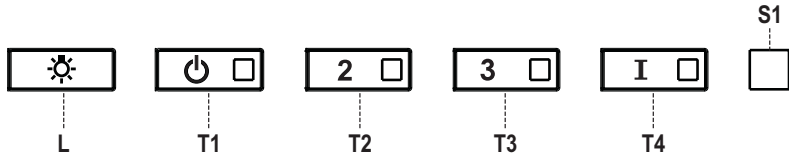
Connected Appliance Information
Contains FCC ID:2AC7Z-ESPWROOM32D
Contains IC:21098-ESPWROOM32D
Model: ESP32-WROOM-32D
CAN ICES-003(B)/NMB-003(B)

WI-FI CONNECTIONS

BUTTON	FUNCTION	INDICATOR
	<p>Activate / Deactivate the Wi-Fi Connection function.</p> <p>A long Press of the speed 2 button with motor and lights Off to activate / deactivate the WI-FI.</p> <p>Note: the Wi-Fi function is automatically activated when the user requests the Wi-Fi configuration procedure.</p>	<p>F - LED</p> <p> Connection to home wireless router in progress.</p> <p> Wi-Fi connection activated.</p>
	<p>Starting the Wi-fi setup</p> <p>A long press with the motor and lights Off to Enter or End the Wi-Fi set-up procedure. Before starting the procedure use the Faber Cloud App to register with the IOT Faber system. Then follow the instructions to add a new device and register your home wireless router.</p> <p>If the procedure is not successfully completed within a few minutes, stop the set up process by holding the intensive button for 3 seconds. Hold the button again for 3 seconds to start the process. The hood will stop the Wi-fi set up process if not successfully completed within 15 minutes.</p>	<p>  Set Up is in progress</p> <p>  When setup is finished LED's stay lit for 2 seconds.</p>

CFM ADJUSTMENT < 295CFM

To start the process make sure the hood lights are On and motor is Off.



- 1) Press and hold **T1** for 7 seconds until all LED's flash.
- 2) After flashing has stopped, press **T1**.
- 3) **T1** button will flash once, then press **T1** button again to confirm your choice (pressed within 10 seconds)
- 4) The four LED's will flash again to confirm you have finished the CFM adjustment to less than 295 CFM.
- 5) Apply the under 295 CFM label inside the hood (behind the grease filters) near the rating label for inspection and on the front of your installation/user manual.
- 6) To confirm your setting for inspection, **T1** and **T2** buttons will always operate the hood at the at speed 1 or speed 2. The highest speed(**T3**) and the intensive speed (**T4**), will also no longer operate.

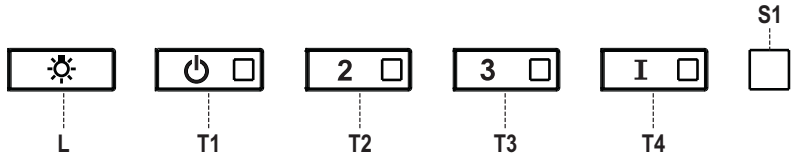
Note: **T2** and **T3** buttons will now operate at the same level and the Intensive Speed will be deactivated.

Attention: When the under 295 CFM adjustment is completed, it is no longer possible to change this setting to the original CFM level.

ATTENTION: For a correct functioning of the FABER CLOUD APP, when this procedure is completed disconnect the plug from the power supply and reconnect it again.

CFM ADJUSTMENT < 395CFM

To start the process make sure the hood lights are On and motor is Off.



- 1) Press and hold **T1** for 7 seconds until all LED's flash.
- 2) After flashing has stopped, press **T2**
- 3) **T2** button will flash once, then press **T2** button again to confirm your choice (pressed within 10 seconds)
- 4) The four LED's will flash again to confirm you have finished the CFM adjustment to less than 395 CFM.
- 5) Apply the under 395 CFM label inside the hood (behind the grease filters) near the rating label for inspection and on the front of your installation/user manual.
- 6) To confirm your setting for inspection, the intensive speed function, will no longer operate.

Note: **T3** and **T4** buttons will now operate at the same level and the Intensive Speed will be deactivated.

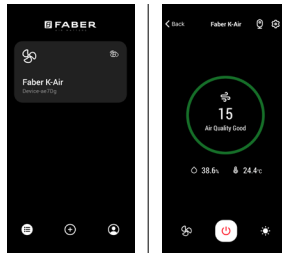
Attention: When the under 395 CFM adjustment is completed, it is no longer possible to change this setting to the original CFM level.












ATTENTION: For a correct functioning of the FABER CLOUD APP, when this procedure is completed disconnect the plug from the power supply and reconnect it again.

FABER CLOUD APP

Faber Cloud App

Your range hood is compatible with the Faber Cloud app. All you need is a Internet connected Wi-Fi network that is within range of the range hood. You can control all the functions of your range hood from anywhere using a mobile device or your Amazon Alexa or Google Home smart speaker. When connected to your smart speaker, you can control your hood with your voice. The Faber Cloud app is available on iOS devices using iOS 11.0 or later or Android devices using Android version 8 or later. Visit the Apple App Store or Google Play Store for more information. Your range hood will have full functionality if you are not using the Wi-fi or the Faber CCloud App features, neither are required. Please review the included Quick Connect Start Guide for more information.



Icon	Function
	Home page
	Add new device
	User profile management
	Connected to Faber Wi-Fi network
	Hood on/off
	Lighting system management
	Motor speed management
	Intensive Function
	Delay Function
	24H function
	App settings management

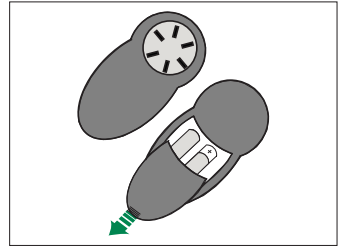
REMOTE CONTROL

The appliance can be controlled using a remote control powered by a 1.5 V carbon-zinc alkaline batteries of the standard LR03-AAA type (not included).

- Used batteries must be disposed of in the proper manner.

Caution:

- Do not place the remote control near heat sources.
- Do not discard the batteries with normal waste, they must be put into the specific containers.
- Make sure the battery compartment is screwed down flat and is fully tightened.



CLEANING STAINLESS STEEL

Cleaning Exterior surfaces:

Please note, abrasives and scouring agents can scratch range hood finishes and should not be used to clean finished surfaces.

Stainless Steel finish cleaning instructions:

Clean exterior surfaces with a commercially available stainless steel cleaner.

CARING FOR FILTERS

CLEANING METAL GREASE FILTERS

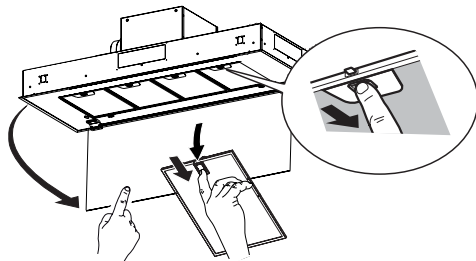
These can be washed in the dishwasher, and need to be cleaned whenever the **S1** LED comes on or at least once every 2 months of use, or more frequently if use is particularly intensive.

Resetting the Grease Filter Alarm

- Turn the Lights and the Hood off.
- Press **3** and hold for at least 3 seconds, until LED flashes three times in confirmation.

Cleaning the Filters

- Open the Panel.
- Remove the Filters one at a time, pushing them towards the back of the unit and at the same time pulling downward.
- Wash the Filters without bending them, and leave them to dry completely before replacing. (If the surface of the filter changes color as time goes by, this will have absolutely no effect on the efficiency of the filter itself.)
- Replace the grease filters, taking care to ensure that the handle faces forward.
- Completely dry the filters before reinstalling. Otherwise, left over grease may heat and drip.
- Close the Panel.



REPLACING ACTIVATED CHARCOAL FILTER

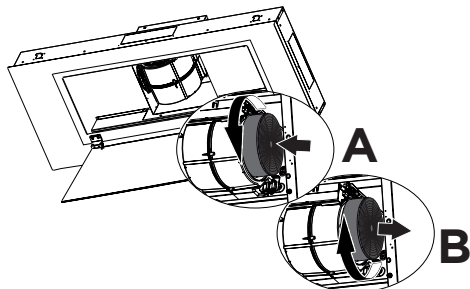
They cannot be washed or regenerated, and must be changed when LED S1 starts to flash, or at least once every 4 months. The Alarm signal, if it has been activated, only appears when the Hood Blower is turned on.

Resetting the alarm signal

- Turn the Lights and the Hood Blower off.
- Press **3** and hold for at least 3 seconds, until LED flashes three times in confirmation.

Cleaning the Filters

- Open the Panel.
- Remove the Metal Grease Filter.
- Remove the saturated Activated Charcoal Filters, as indicated **(B)**.
- Fit the new Filters, as indicated **(A)**.
- Replace the Metal grease filters.
- Close the Panel.



Caution: When used in recirculation mode, To Reduce the Risk of Fire and Shock use only conversion kit Model Required Activated Charcoal Filter Accessory - sku # - FILTER1 or FILTER1LL (purchased separately).

CLEANING EXTERIOR SURFACES

Cleaning Exterior surfaces:

Please note, abrasives and scouring agents can scratch range hood finishes and should not be used to clean finished surfaces.

Stainless Steel finish cleaning instructions:

Clean exterior surfaces with a commercially available stainless steel cleaner.

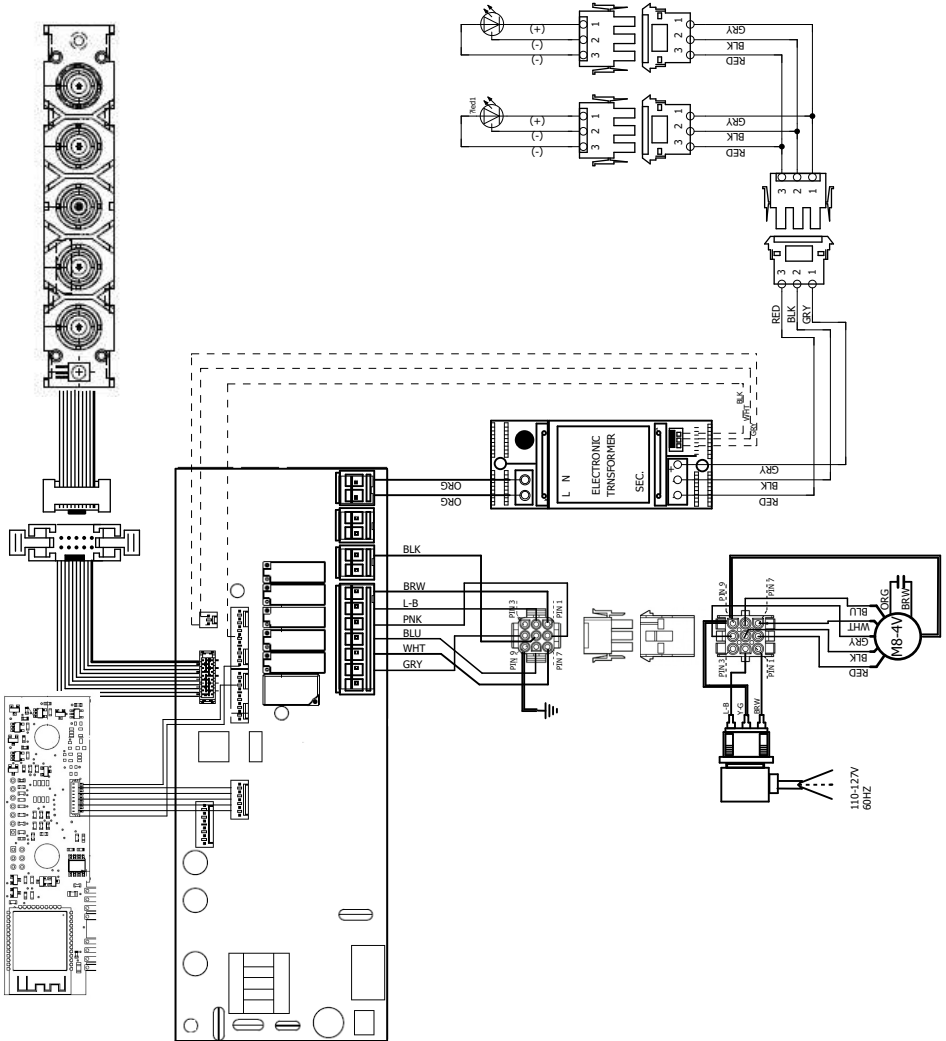
Painted Gray finish cleaning instructions:

Clean exterior surfaces with hot soapy water.

REPLACING LIGHTING

LED lights must be replaced by Faber factory authorized service.

WIRING DIAGRAM



WARRANTY



Franke Home Solutions Warranty for Franke and Faber Branded Product Effective March 1, 2022

In the United States, Canada and Latin America, Franke warrants the Faber branded products from manufacturing defects in material and workmanship when purchased from a Franke or Faber Authorized Retailer pursuant to product-specific warranties detailed herein (each, a "Warranty" and collectively, the "Warranties"). The products must be properly installed, per Franke's installation instructions, in their original installation, and used in normal indoor residential kitchen applications. Any products or components which have been modified or altered from their original intended condition will void the Warranty. The Franke Warranties for Faber branded products are limited to the original purchaser and are non- transferrable. These Warranties do not include products purchased from non-Authorized Retailers, products that are obsolete or discontinued, or products that were previous display models. All issues with installed products are considered warranty claims and not subject to the Return Policy. Franke reserves the right to inspect any Franke / Faber product reported to be defective pursuant to a Warranty claim and the original installation prior to providing a replacement product and/or component. All decisions are final. In no situation shall the liability of Franke exceed the amount of the original purchase price.

The Warranties do not cover, and Franke shall not be liable for, any damage to products or components resulting from misuse or abuse, accidental damages, normal wear such as scuffs, scratches or finish reduction/fading, improper installation, abnormal usage, negligence, damage caused by improper maintenance or cleaning. Damage caused by impurities, corrosive chemicals or acts beyond Franke's control are not covered by any Warranty. Service calls to correct the installation of a range hood, instructions on how to operate a range hood, to replace or repair house fuses or to correct house wiring or plumbing are not covered by any Warranty. Service calls to repair or replace range hood light bulbs, fuses or filters and these consumable part costs are also excluded from Warranty coverage. Installation not in accordance with electrical or plumbing codes or Franke / Faber documentation are not covered by any Warranty. Replacement parts or repair labor costs for units operated outside the United States, Canada or Latin America, including any non-UL or C-UL or non-NOM approved Franke / Faber range hoods are excluded from Warranty coverage. Expenses for travel and transportation for service in remote locations and pickup and delivery charges are not covered by any Warranty. Franke / Faber range hoods should always be serviced in the home in their original installation.

Franke / Faber product replacements do not include liability for project delays. Product replacements are not guaranteed to be exact replacements. If the original product is not available at the time of the warranty claim, at Franke's option, the product replacements will be of similar size, material, and value. Any products or components which have been modified or altered, from its original intended condition will void the warranty.

The Warranties do not allow recovery of incidental or consequential damages such as loss of use, delay, property damage or other consequential damage, and Franke accepts no liability for such damages. Each Warranty is limited to the conditions set forth herein and to the applicable warranty period specified herein and is exclusive. EXCEPT FOR THE WARRANTIES SET FORTH HEREIN, FRANKE MAKES NO WARRANTY WHATSOEVER WITH RESPECT TO THE PRODUCTS, INCLUDING, BUT NOT LIMITED TO, (1) ANY WARRANTY OF MERCHANTABILITY, (2) WARRANTY OF FITNESS FOR A PARTICULAR PURPOSE, (3) WARRANTY OF TITLE, OR (4) WARRANTY AGAINST INFRINGEMENT OF INTELLECTUAL PROPERTY RIGHTS OF A THIRD PARTY, WHETHER EXPRESS OR IMPLIED BY LAW, COURSE OF DEALING, COURSE OF PERFORMANCE, USAGE OF TRADE OR OTHERWISE. LEGAL DISCLAIMER PLEASE READ CAREFULLY. Franke Kitchen Systems LLC provides the above information to you as a public service to our customers. By accessing and using this information, you agree to the following and to comply with all applicable laws. If you do not agree with these terms and conditions, do not use this information. While we try to keep the information current, changes may have occurred since its creation. Contact your Regional Manager or Customer Service to verify information regarding Franke Kitchen Systems LLC programs and their use by you.

Franke / Faber Range Hood Limited Warranty:

Franke / Faber range hoods are warranted against any defect in materials or workmanship for the original purchaser for a period of two (2) years from the date of original purchase when used in standard residential indoor applications. This warranty covers labor and replacement parts. Franke, at its option, may repair or replace the product or components necessary to restore the product to good working condition.



This warranty supersedes all other warranties, expressed or implied. No employee, field sales representatives, or distribution persons are authorized to give any warranties on behalf of Franke Kitchen Systems, LLC

To make an installed product warranty claim please contact Franke at the provided contact information below. All warranty claims must include the following for processing:

1. Proof of purchase from Franke or Faber Authorized Retailer
2. Original purchaser's name, address (included city, state, zip), email address and phone number
3. Franke / Faber model and serial number
4. Date of installation
5. Description of the defect
6. Photos of the defect

In North America and Latin America:

Franke Home Solutions
Attn: Warranty Department
800 Aviation Parkway
Smyrna, TN 37167
HS-Warranty.US@Franke.com

Legal Entity:
Franke Kitchen Systems LLC

CONTENU

Section	Page
Consignes de sécurité importantes	40
Dimensions de la hotte	44
Exigences en matière de hauteur d'installation	45
Pièces	46
Outils nécessaires	47
Choisissez votre méthode de pose de conduits	49
Préparation de l'installation de la hotte au plafond	52
Informations sur l'installation	54
Installation des soufflantes internes	55
Installation du corps de la hotte	56
Instruction de montage du plafond	57
Raccordement des conduits de ventilation - installation des conduits de ventilation	60
Raccordement des conduits de ventilation - non canalisé - options de recirculation	61
Connexion du boîtier de câblage domestique	62
Utilisation des commandes	64
Application Faber Cloud	70
Télécommande	71
Nettoyage de l'acier inoxydable	71
Entretien des filtres	72
Remplacement de l'éclairage	73
Schéma de câblage	74
Garantie	75

CONSIGNES DE SÉCURITÉ IMPORTANTES

VEUILLEZ LIRE ET CONSERVER LA PRÉSENTE NOTICE AVANT DE COMMENCER L'INSTALLATION DE LA HOTTE DE CUISINE

AVERTISSEMENT : - POUR RÉDUIRE LE RISQUE D'UN FEU DE GRAISSE SUR LA TABLE DE CUISSON :

- a) Ne laissez jamais sans surveillance les éléments de la surface de cuisson à température élevée. Les bouillonnements excessifs peuvent provoquer de la fumée et les débordements de graisse peuvent s'enflammer. L'huile doit être chauffée lentement, à une température basse ou moyenne.
- b) Assurez-vous de toujours mettre en marche la hotte lorsque vous cuisinez à température élevée ou préparez un mets flambé (p.ex. crêpes Suzette, cerises jubilé, bœuf flambé).
- c) Nettoyez régulièrement les ventilateurs d'aspiration. Assurez-vous de ne pas laisser de la graisse s'accumuler sur le ventilateur ou le filtre.
- d) Utilisez toujours des poêles et casseroles de la taille appropriée. Utilisez toujours des ustensiles de cuisine de la taille adaptée à celle de l'élément chauffant.

AVERTISSEMENT : - POUR PRÉVENIR LES BLESSURES EN CAS DE FEU DE GRAISSE SUR LA TABLE DE CUISSON, SUIVEZ LES RECOMMANDATIONS SUIVANTES* :

- a) **ÉTOUFFEZ LES FLAMMES** à l'aide d'un couvercle hermétique, d'une plaque à biscuits ou d'un plateau métallique, puis éteignez le brûleur. **FAITES ATTENTION AUX BRÛLURES.** Si le feu ne s'éteint pas immédiatement, **QUITTEZ LES LIEUX ET APPELEZ LES POMPIERS.**
- b) **NE PRENEZ JAMAIS UNE CASSEROLE EN FLAMME** - Vous pourriez vous brûler.
- c) **N'UTILISEZ JAMAIS DE L'EAU**, ni un linge à vaisselle ou un torchon mouillé, pour éteindre le feu. Cela pourrait provoquer une violente explosion de vapeur.
- d) Utilisez un extincteur **UNIQUEMENT** si :
 1. Vous êtes certain qu'il s'agit d'un extincteur de classe ABC et que vous connaissez bien son mode d'emploi.
 2. Le feu est de faible intensité et se limite à l'endroit où il a démarré.
 3. Les pompiers ont déjà été appelés.
 4. Une voie de sortie se trouve derrière vous pendant que vous éteignez les flammes.

* D'après le guide « Kitchen Firesafety Tips » publié par la NFPA aux États-Unis

AVERTISSEMENT - POUR RÉDUIRE LE RISQUE D'INCENDIE OU DE CHOC ÉLECTRIQUE, n'utilisez jamais ce ventilateur en association avec un dispositif de réglage de vitesse à semi-conducteurs.

AVERTISSEMENT - POUR RÉDUIRE LES RISQUES D'INCENDIE, DE CHOC ÉLECTRIQUE OU DE BLESSURE CORPORELLE, RESPECTEZ LES INSTRUCTIONS SUIVANTES :

1. Utilisez cet appareil uniquement de la façon prévue par le fabricant. Pour toute question, communiquez avec le fabricant.
2. Avant de procéder à l'entretien ou au nettoyage de l'appareil, coupez l'alimentation au niveau du panneau électrique et verrouillez-le pour vous assurer que l'électricité n'est pas rétablie accidentellement. S'il n'est pas possible de verrouiller le dispositif d'interruption de l'alimentation, affichez de façon ferme et bien visible un avis de danger, par exemple à l'aide d'une étiquette sur le panneau.

ATTENTION : Destiné à un usage de ventilation générale uniquement. N'utilisez pas

ce dispositif pour l'aspiration de vapeurs ou de matériaux dangereux ou explosifs.

AVERTISSEMENT - POUR RÉDUIRE LES RISQUES D'INCENDIE, DE CHOC ÉLECTRIQUE OU DE BLESSURE CORPORELLE, RESPECTEZ LES INSTRUCTIONS SUIVANTES :

- 1. L'installation et le branchement électrique doivent être réalisés par un technicien qualifié et conformément à tous les codes et normes en vigueur, incluant ceux concernant la construction à l'épreuve du feu.**
- 2. Afin de garantir une combustion et une évacuation adéquates des gaz par les conduites de la cheminée des appareils à combustion, une bonne aération est nécessaire pour éviter le refoulement. Respectez les lignes directrices fournies par le fabricant du matériel chauffant, ainsi que les normes de sécurité comme celles publiées par la National Fire Protection Association (NFPA) et la American Society for Heating, Refrigeration and Air Conditioning Engineers (ASHRAE) aux États-Unis, ainsi que les codes en vigueur dans votre région.**
- 3. Lorsque vous faites une ouverture ou percez dans un mur ou le plafond, veillez à ne pas endommager les fils électriques ou d'autres dispositifs cachés.**
- 4. Les ventilateurs canalisés doivent toujours être raccordés à l'extérieur.**

TOUTE OUVERTURE DANS LE MUR OU LE PLANCHER À PROXIMITÉ DE LA HOTTE DOIT ÊTRE SCELLÉE.

Un espace libre d'au moins 35" est requis entre le bas de la hotte et la surface de cuisson ou le comptoir. Cette hotte a été homologuée par l'UL à cette distance de la surface de cuisson.

Consultez la notice d'installation de la surface de cuisson ou de la cuisinière fournie par le fabricant avant de pratiquer des ouvertures. **INSTALLATION DANS UNE MAISON MOBILE** L'installation de cette hotte doit être conforme à la Partie 3280 de la norme Manufactured Home Construction and Safety Standards, Title 24 CFR (précédemment la partie 280 de la norme Federal Standard for Mobile Home Construction and Safety, Title 24, HUD).

À noter : La présente hotte a été conçue pour réduire au minimum l'interférence électromagnétique (EMI) provenant de l'alimentation électrique domestique. Il peut toutefois survenir que, dans certaines applications domestiques, l'EMI ambiante et l'EMI excessive des autres dispositifs électroniques puissent nuire au fonctionnement de la télécommande.

Renseignez-vous auprès de votre distributeur Faber au sujet d'une pièce de rechange en option permettant de réduire l'EMI des sources domestiques.

CRITÈRES DE VENTILATION

Déterminez quelle méthode de ventilation est mieux adaptée à votre application. Les conduits peuvent passer par le mur ou le toit.

Pour garantir une meilleure efficacité, la longueur des conduits et le nombre de coudes doivent être le plus limités que possible. Le diamètre des conduits devrait être uniforme. N'installez pas deux coudes ensemble. Utilisez un ruban pour canalisations afin de sceller tous les joints du système de conduits. Utilisez un calfeutrage pour sceller les ouvertures dans le mur extérieur ou le plafond, autour du clapet.

Il n'est pas recommandé d'utiliser des conduits flexibles. Les conduits flexibles provoquent une contre-pression et de la turbulence qui diminuent grandement l'efficacité de l'appareil.

Assurez-vous que l'espace libre dans le mur ou le plafond est suffisant pour le conduit d'évacuation avant de pratiquer les ouvertures. Ne coupez jamais une poutre ou un chevron, sauf si c'est absolument nécessaire. S'il s'avère nécessaire de couper une

poutre ou un chevron, la construction d'un renforcement est requise.

AVERTISSEMENT - Pour réduire le risque d'incendie, utilisez uniquement des conduits métalliques.

ATTENTION - Pour réduire le risque d'incendie et pour évacuer adéquatement l'air, assurez-vous de raccorder les conduits à l'extérieur – Ne diffusez pas l'air d'évacuation dans des espaces à l'intérieur des murs ou du plafond, ou encore à l'intérieur d'un grenier, d'une galerie technique ou d'un garage.

AVERTISSEMENT : Pour réduire les risques d'incendie, d'électrochoc ou de blessure, n'utilisez pas de pièces de rechange non préconisées par le fabricant (par exemple, des pièces bricolées à la maison à l'aide d'une imprimante 3D).

Installation dans les climats froids

Le système de ventilation doit prévoir un registre antirefoulement supplémentaire pour réduire le flux d'air froid inverse, ainsi qu'une barrière thermique non métallique pour réduire la conduction des températures extérieures. Le registre doit être installé du côté air froid par rapport à la barrière thermique. La barrière thermique doit être positionnée le plus près que possible de l'endroit où le système de ventilation pénètre dans la partie chauffée de la maison.



AVERTISSEMENT

- Le système de ventilation DOIT déboucher à l'extérieur.
- **NE FAITES PAS** déboucher les conduits dans un grenier ou un autre endroit fermé.
- **N'UTILISEZ PAS** un clapet de sècheuse mural de 4".
- Il n'est pas recommandé d'utiliser des conduits flexibles.
- **N'ENTRAVEZ PAS** le flux de l'air de combustion et de ventilation.
- Le non-respect des exigences en matière de ventilation pourrait entraîner un incendie.

FICHE TECHNIQUE ÉLECTRIQUE

Une alimentation de courant alternatif de 120 volts à 60 Hz est requise sur un circuit à fusible distinct de 15 ampères. Il est recommandé d'installer un fusible temporisé ou un disjoncteur. Le fusible doit être calibré conformément aux codes en vigueur pour les caractéristiques nominales électriques de l'appareil, indiquées sur la plaque signalétique située à l'intérieur de l'appareil, à proximité du compartiment des câblages externes.

INSTALLATION ÉLECTRIQUE AVEC BOÎTIER DE CONNEXION

CET APPAREIL DOIT ÊTRE UNIQUEMENT BRANCHÉ À L'AIDE DE FILS DE CUIVRE. Le calibre des fils doit être conforme aux critères de la dernière édition du National Electrical Code, de l'ANSI/NFPA 70 et de l'ensemble des codes et réglementations en vigueur. Le calibre des fils et les connexions doivent être adaptés aux caractéristiques nominales de l'appareil. Il est possible de se procurer un exemplaire des normes indiquées ci-dessus en communiquant avec :

National Fire Protection Association
Batterymarch Park
Quincy, Massachusetts 02269 (États-Unis)

Cet appareil devrait être branché directement au sectionneur à fusible (ou au disjoncteur) par un câble flexible de cuivre avec blindage ou gaine non métallique. Laissez un peu de jeu dans le câble pour permettre le déplacement de l'appareil si des travaux d'entretien s'avéraient nécessaires. Un raccord de conduit homologué par l'UL de 1/2" doit être installé aux deux extrémités du câble d'alimentation (au niveau de l'appareil et de la boîte de liaison).

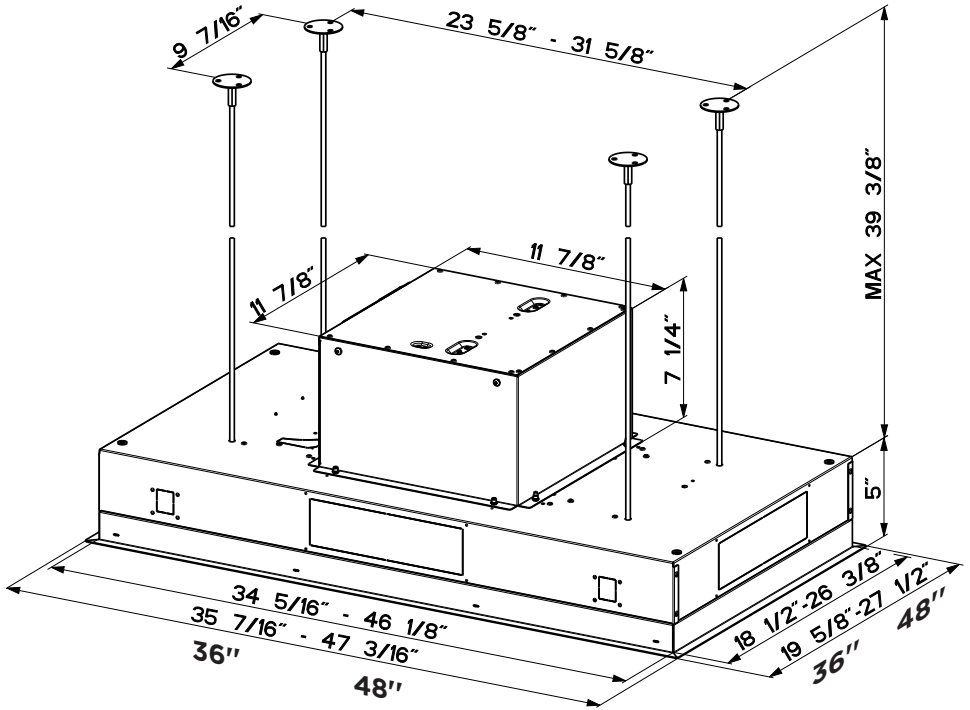
Lors de la réalisation du branchement électrique, réalisez un trou de 1 1/4". S'il s'agit d'un trou dans le bois, il doit être poncé pour le rendre lisse. S'il s'agit d'un trou dans le métal, un passe-fils est requis.



AVERTISSEMENT

- Une mise à la terre électrique est requise pour cette hotte.
- N'UTILISEZ PAS un tuyau d'eau froide pour la mise à la terre si celui-ci est branché par des joints en plastique, par des rondelles non métalliques ou d'autres matériaux.
- N'UTILISEZ PAS une conduite de gaz pour la mise à la terre.
- N'INSTALLEZ PAS un fusible sur le circuit neutre ou le circuit de mise à la terre. La présence d'un fusible dans le circuit neutre ou de mise à la terre peut entraîner un choc électrique.
- Consultez un électricien qualifié si vous n'êtes pas certain de la mise à la terre de la hotte.
- Le non-respect des exigences de la fiche technique électrique pourrait entraîner un incendie.

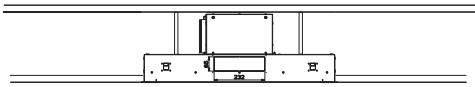
DIMENSIONS DE LA HOTTE



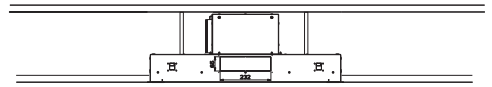
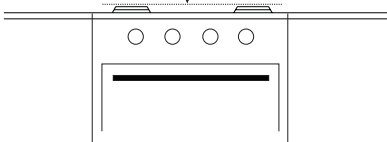
EXIGENCES EN MATIÈRE DE HAUTEUR D'INSTALLATION

Pour de meilleures performances, veuillez monter la hotte à 60 pouces au-dessus de la surface de cuisson, mais vous pouvez la monter jusqu'à 72 pouces maximum de la surface de cuisson.

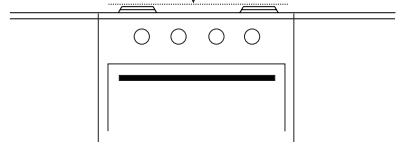
Veuillez prévoir un point d'accès à la hotte depuis le plafond ou le soffite pour l'installation et l'accès futur à la hotte.



**MIN. 35 POUCES AU-DESSUS DES
RACCORDEMENTS D'ÉLECTRICITÉ /
DU GAZ**





**MAX. 72 POUCES AU-DESSUS DES
RACCORDEMENTS D'ÉLECTRICITÉ /
DU GAZ**

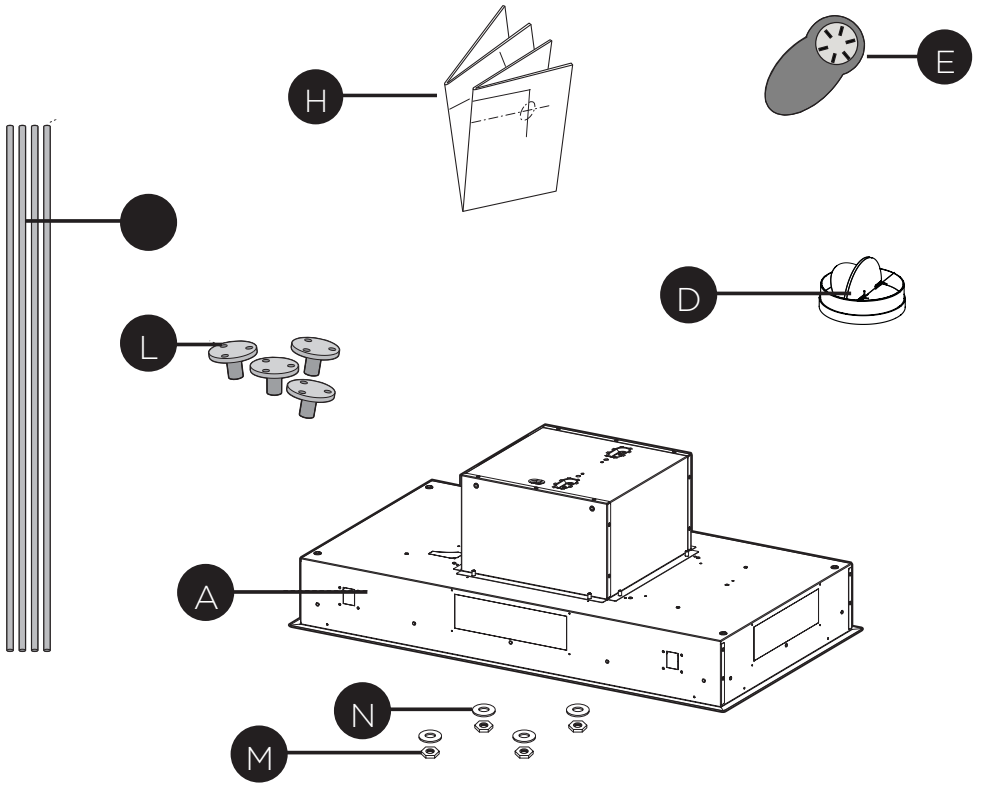


PIÈCES

PIÈCES INCLUSES




RÉF.	PIÈCE	QTÉ
A	Corps de la hotte, équipé de : Commandes, éclairages, filtres.	1
D	Clapet ø 6"	1
E	Télécommande	1
	Gabarit de perçage	1
I	Boulon barre fileté	4
L	Bride du boulon de plafond	4

RÉF	PIÈCE	QTÉ
M	Écrou	 4
N	Rondelles	 4



PIÈCES (suite)

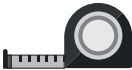


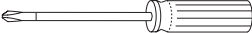

PIÈCES NÉCESSAIRES

PIÈCE	
Conduit métallique rond de 6 pouces	
Connecteurs de fils.	
Cheilles de placoplâtre ou autres fixations murales appropriées en fonction de votre installation.	

ACCESSOIRES DISPONIBLES

ACCESSOIRES	SKU#
Kit d'accessoires pour filtre à charbon actif	#FILTER1
Kit de filtre à charbon actif lavable et durable	#FILTER1LL

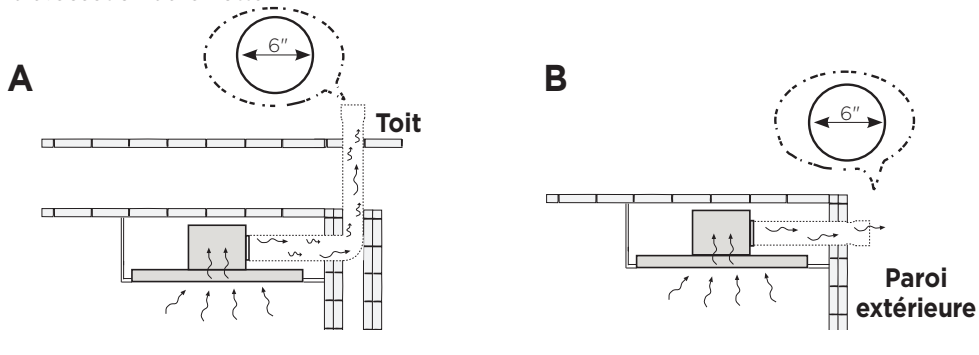
OUTILS NÉCESSAIRES

OUTIL	
Mètre ruban	
Crayon	
Perceuse électrique avec mèche de 5 / 16 pouces	
Tournevis Phillips	
Gants de travail	

CHOISISSEZ VOTRE MÉTHODE DE POSE DE CONDUITS

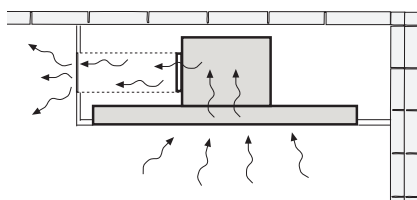
Options de ventilation par conduit

Attention : Si un coude est nécessaire, réalisez-le aussi loin que possible de l'ouverture d'évacuation de la hotte.



Non canalisé - Options de recirculation

Accessoire filtre à charbon actif **FILTRE1** ou **FILTREILL** requis (acheté séparément).
Le cache-clapet pour la sortie du conduit d'air est illustré pour la conception et n'est pas inclus.



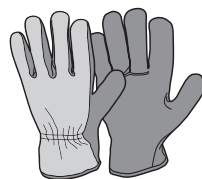
Le cache-clapet pour la sortie du conduit d'air est conseillé.

Attention : En cas d'utilisation en mode recirculation, pour réduire les risques d'incendie et de choc, utilisez uniquement le kit de conversion modèle **FILTERILL**.

Deux personnes sont nécessaires pour l'installation



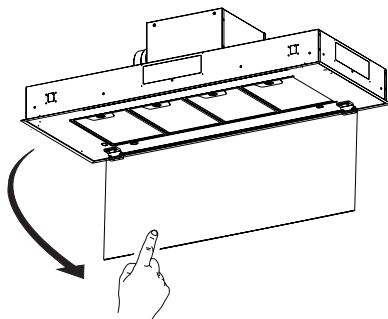
Portez des gants de protection pour le travail



STRTIS36WHV - STRTIS48WHV

1

Ouvrez le panneau cache-filtre. Ce panneau est retenu par un aimant, tirez vers le bas avec suffisamment de force pour le libérer comme indiqué ci-dessous.

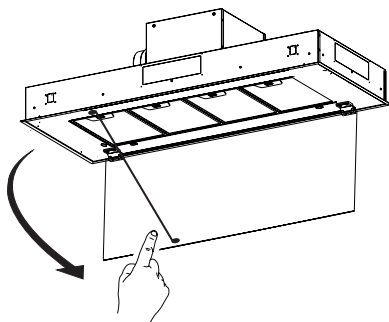


STRTIS36SSV - STRTIS48SSV

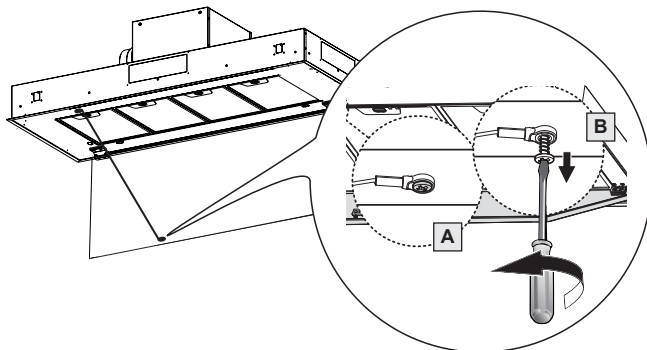
1

Avvertimento! Le cache-filtre est équipé d'un système de sécurité.

Ouvrez le panneau cache-filtre. Ce panneau est retenu par un aimant, tirez vers le bas avec suffisamment de force pour le libérer comme indiqué ci-dessous.

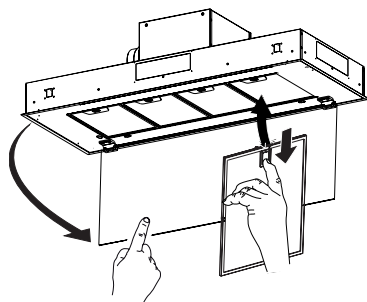


Retirer le vis du fil de sécurité comme indiqué.



2

Retirez les filtres à graisse un par un, en les poussant vers l'arrière de l'appareil tout en tirant vers le bas, puis mettez-les de côté.

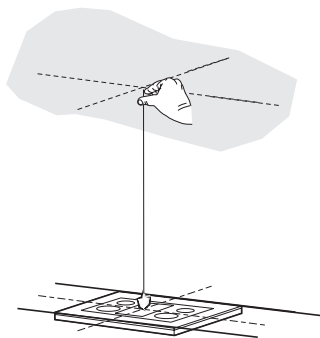


PRÉPARATION DE L'INSTALLATION DE LA HOTTE AU PLAFOND

Ne faites aucune découpe avant d'avoir décidé si l'installation sera canalisée ou non et si le câblage a été préparé en fonction du type de soufflante.

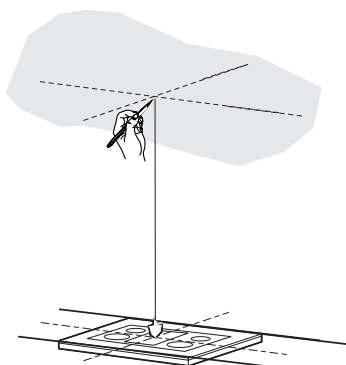
3

Utilisez un fil à plomb pour marquer le centre de la cuisinière au plafond.



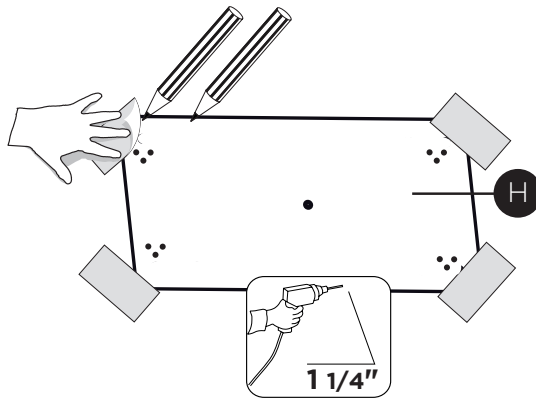
4

Marquez les centres.



5

- Pour toutes les installations, un point d'accès à la hotte doit être créé pour l'installation et l'entretien futur de la hotte.
- Mettez un revêtement épais et protecteur sur la table de cuisson pour la protéger des dommages ou de la saleté.
- Utilisez le gabarit de montage au plafond pour déterminer l'emplacement des vis de montage au plafond.
- Marquez le centre des trous dans le gabarit du plafond.
- Déterminez la position et effectuez les découpes nécessaires pour faire passer les conduits.
- Installez les conduits avant de monter la hotte.
- Repérez l'emplacement approprié pour le câble d'alimentation, comme indiqué sur le gabarit.
- Utilisez un foret de 1 1/4 pouces pour faire ce trou.
- Faites passer le câble d'alimentation. Utilisez un produit de calfeutrage pour sceller le trou.
- Un alvéole défonçable pour le passage du câble d'alimentation depuis le plafond se situe sur le dessus de la hotte.
- Ne connectez pas le câble d'alimentation à la boîte de câblage et ne mettez pas la hotte sous tension pour le moment.
- Faites passer suffisamment de câble d'alimentation depuis le plafond pour atteindre la boîte de câblage sur la hotte.

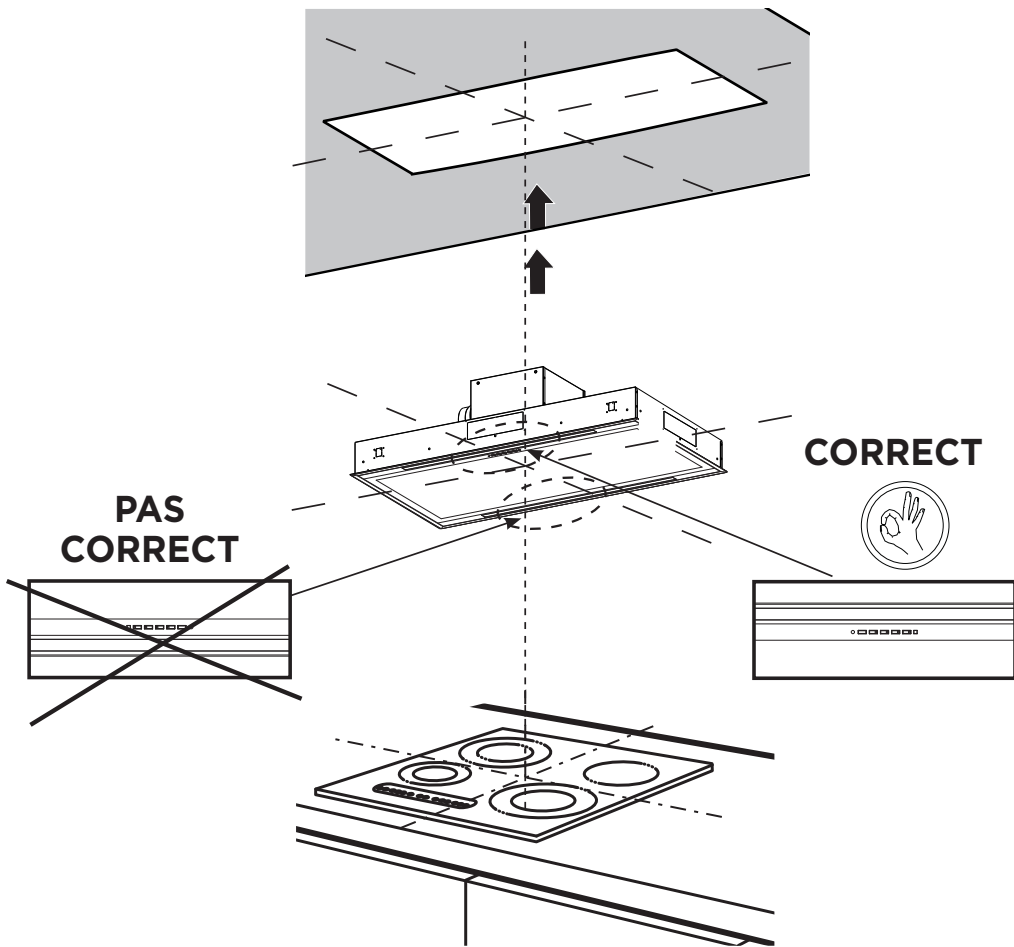


AVERTISSEMENT

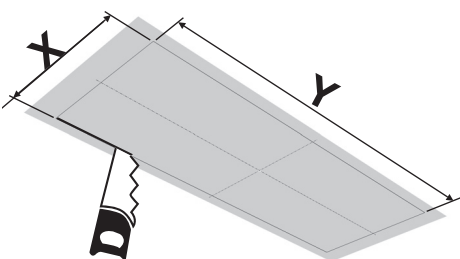
EN RAISON DE LA TAILLE ET DU POIDS DE CETTE HOTTE DE CUISINE, LE SUPPORT DOIT ÊTRE FIXÉ FERMEMENT AU PLAFOND. Si vos plafonds sont en plâtre ou en placoplâtre, veuillez fixer les supports aux solives. Si cela n'est pas possible, une structure de support doit être construite derrière le plâtre ou le placoplâtre. Le fabricant n'assume aucune responsabilité pour les blessures ou les dommages causés par des installations inadéquates.

INFORMATIONS SUR L'INSTALLATION

Pour la préparation de l'installation de la hotte, orientez la hotte avec le panneau de commande à l'avant de la hotte, comme indiqué ci-dessous.



Hotte	X	Y
36 pouces	18 11 / 16 pouces	34 9 / 16 pouces
48 pouces	26 9 / 16 pouces	46 3 / 8 pouces



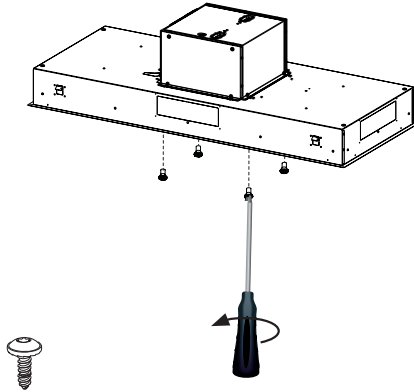
Voir l'image avec les dimensions pour la découpe du plafond.

INSTALLATION DES SOUFLANTES INTERNES

1

Séparation de la boîte et de la hotte

Dévissez les 4 vis pour démonter la boîte de la soufflante.



Tournevis
Torx



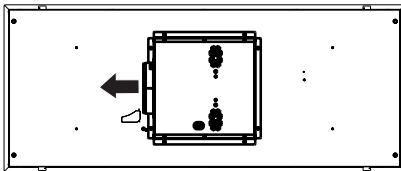
2

Choisissez la position de la boîte (gauche-droite-arrière-avant)

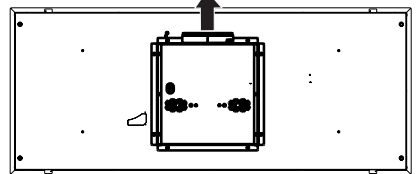
Vous pouvez positionner la soufflante d'évacuation dans quatre positions différentes, comme illustré.

Faites pivoter le boîtier avec la soufflante dans la bonne position.

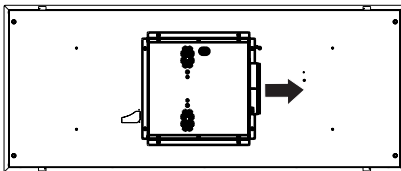
Gauche



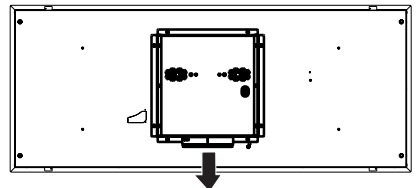
Arrière



Droite

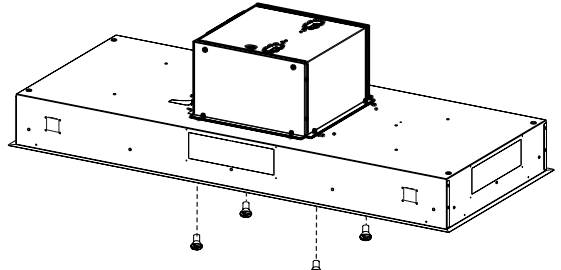


Avant



3**Fixez le boîtier du moteur à la hotte de cuisine**

Fixez le boîtier avec la soufflante à l'aide des mêmes 4 vis retirées précédemment.



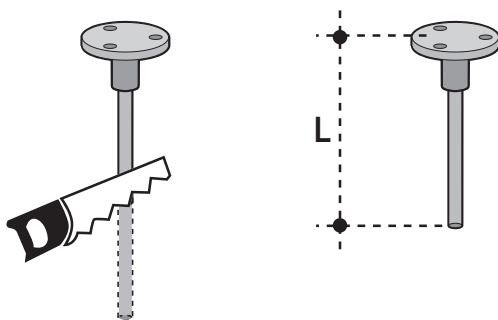
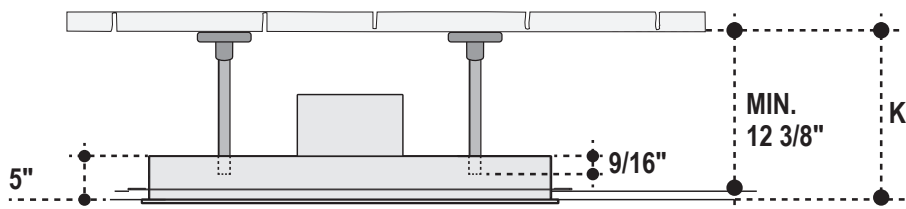
Tournevis
Torx



INSTALLATION DU CORPS DE LA HOTTE

4

Rassemblez les brides de montage de la hotte de cuisinière



$$L = K - 4 \frac{1}{2}''$$

Pour mesurer la longueur des 4 boulons de fixation :

Mesurez la distance totale entre la zone de montage au plafond et le bas de la hotte / là où le plafond commence.

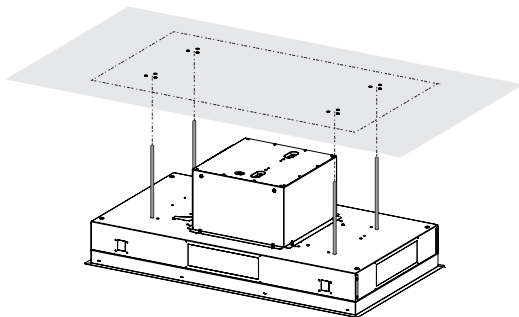
Soustrayez 4 1/2 pouces (5 1/16 pouces - 9/16 pouces) de la distance totale pour déterminer la longueur précise. Découpez l'excédent de longueur des boulons.

Par exemple, s'il y a 13 pouces entre la zone de montage et le plafond, 13 pouces - 4 1/2 pouces 8 1/2 pouces sera la longueur totale nécessaire pour les boulons.

INSTRUCTION DE MONTAGE DU PLAFOND

5 Marque sur le plafond

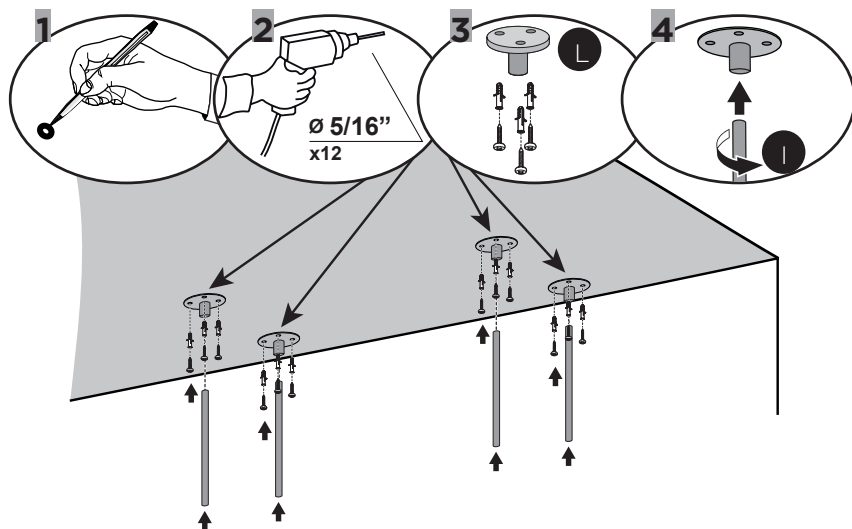
Voir ci-dessous l'image détaillée du perçage des trous sur la surface de fixation (à l'intérieur du plafond ou du soffite) destiné à la fixation des boulons. Les fixations utilisées doivent être compatibles avec le trou de 5/16 pouces ; veuillez les acheter séparément.



6 Installation des boulons au plafond

Utilisez les trous créés avec le gabarit de perçage pour l'emplacement des fixations au plafond (achetées séparément).

Utilisez des chevilles murales ou tout autre matériel de fixation en conjonction avec les fixations au plafond (achetées séparément).

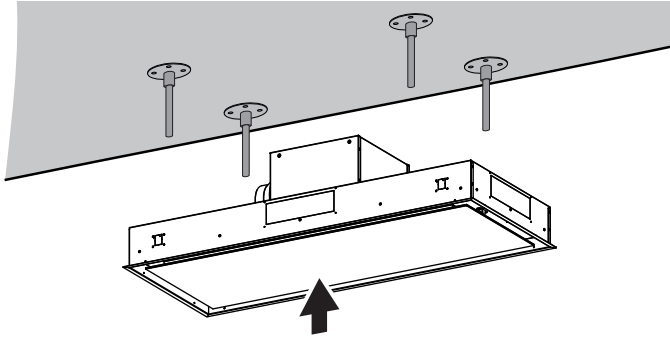


1. Utilisez un foret de 5/16" pour percer ces trous.
2. Utilisez des chevilles si nécessaire ou d'autres éléments de fixation en conjonction avec les fixations au plafond (achetées séparément).
3. Fixez les boulons filetés aux supports de fixation au plafond en vissant le boulon dans le support jusqu'à ce qu'il soit bien serré.

7

Installation de la bride au plafond

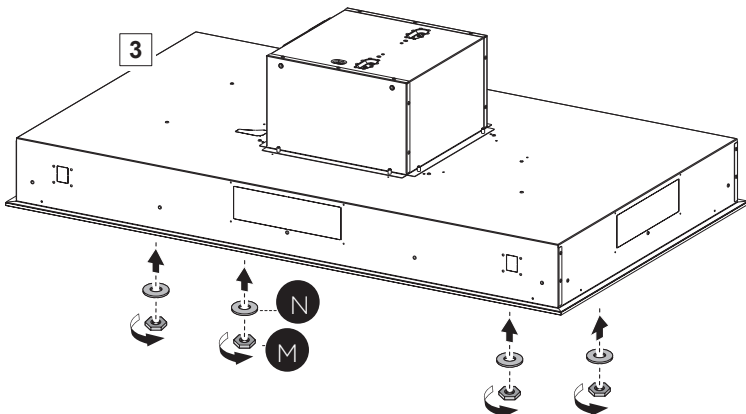
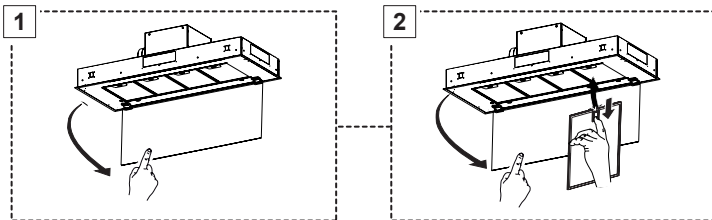
Veillez à ce que les boulons soient bien espacés pour s'insérer dans les trous correspondants de la hotte.



8

Installation de la bride au plafond

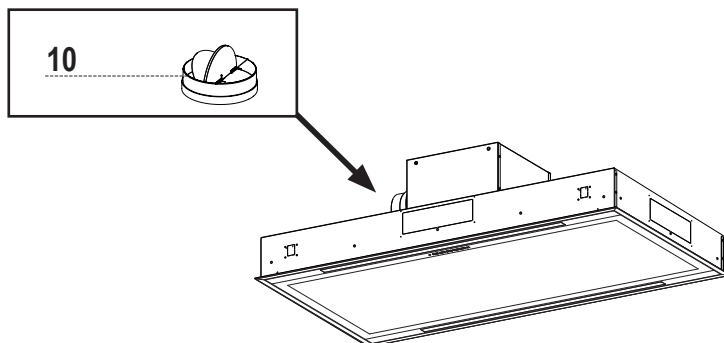
Abaissez le panneau périphérique et retirez les filtres à graisse. Poussez soigneusement la hotte dans le plafond et insérez les 4 boulons dans les trous prévus à cet effet sur la hotte. Fixez fermement la rondelle et les écrous sur les 4 boulons.



RACCORDEMENT DES CONDUITS DE VENTILATION INSTALLATION DES CONDUITS DE VENTILATION

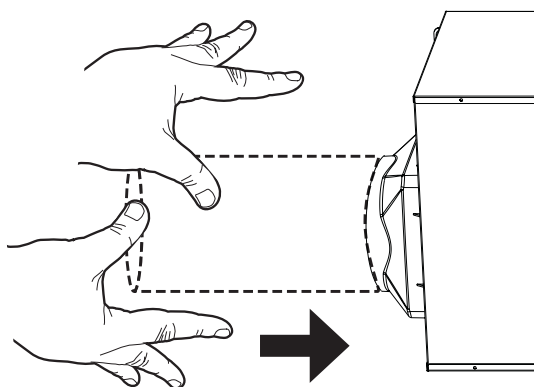
9 Installation du clapet

Installez le clapet fourni avec la hotte avant de la raccorder au conduit. Scellez avec du ruban adhésif pour conduits en aluminium.



10 Raccord à la sortie d'air

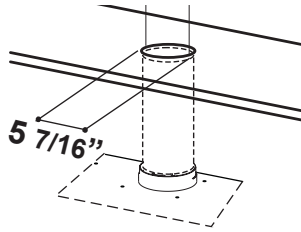
Raccordez la hotte au tube de sortie d'air. Utilisez du ruban adhésif pour conduits en aluminium pour sceller le joint.



RACCORDEMENT DES CONDUITS DE VENTILATION NON CANALISÉ - OPTIONS DE RECIRCULATION

11

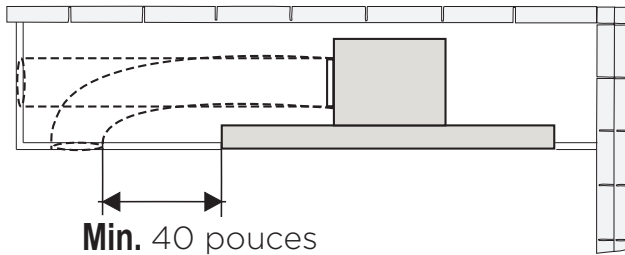
Trou de recirculation



12

A propos du trou de recirculation

Maintenez le conduit de retour d'air à une distance d'au moins 40" de la hotte d'aspiration.

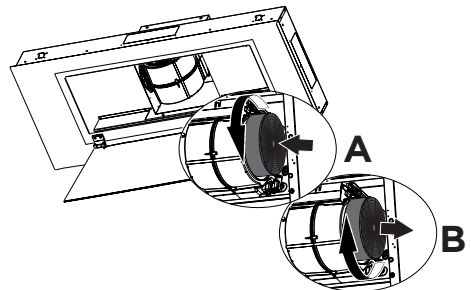


13

Installation du kit de filtre à charbon actif

- Fixez chaque filtre à charbon à la grille noire de chaque côté du ventilateur.
- Appuyez fermement le filtre à charbon sur la grille noire du côté de la soufflante et tournez le filtre dans le sens des aiguilles d'une montre (vers l'avant de la hotte encastrable) jusqu'à ce qu'il se verrouille en place (A).
- Tournez dans le sens inverse des aiguilles d'une montre (vers l'arrière de la hotte) pour le retirer(B).

Attention : lorsqu'il est utilisé en mode recirculation, pour réduire le risque d'incendie et d'électrocution, utilisez uniquement le kit de conversion Modèle requis Accessoire de filtre à charbon actif requis - sku # - FILTRE1 ou FILTRE1LL (acheté séparément).

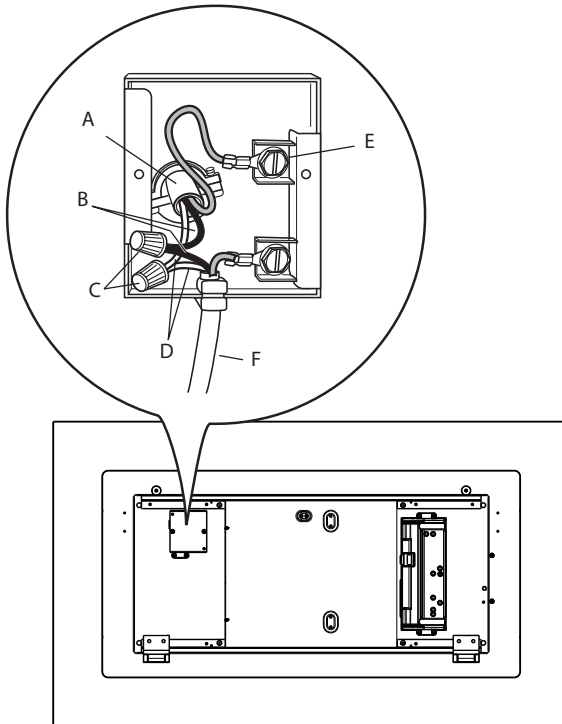


CONNEXION DU BOÎTIER DE CÂBLAGE DOMESTIQUE

14

BRANCHEMENT DE L'ALIMENTATION ÉLECTRIQUE DOMESTIQUE À LA HOTTE Installation du boîtier de du câblage électrique domestique

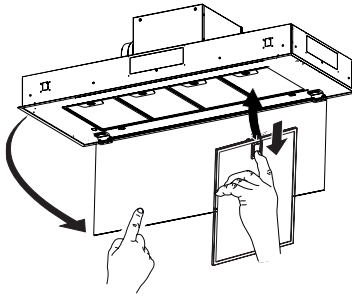
1. Retirez le couvercle du compartiment de câblage de terrain. NE mettez PAS l'appareil sous tension tant que l'installation n'est pas terminée !
2. Connectez le câble d'alimentation électrique à la hotte de cuisine.
3. Connectez le fil de terre vert (vert et jaune) sous la vis de mise à la terre verte.
4. Fixez le fil blanc de l'alimentation électrique au fil blanc de la hotte de cuisinière par d'un connecteur de fil de type torsadé.
5. Fixez le fil noir de l'alimentation électrique au fil noir de la hotte de cuisine par un connecteur de fil de type torsadé.
6. Remettez en place le couvercle du boîtier de câblage et les filtres à graisse.
7. Vérifiez le schéma de câblage.



- A. Câble d'alimentation domestique.
- B. Fils noirs.
- C. Connecteurs de fils homologués LA.
- D. Fils blancs.
- E. Le fil de terre vert (ou nu) de l'alimentation électrique de l'habitation doit être connecté à la vis verte de mise à la terre.
- F. Câble d'alimentation de la hotte.

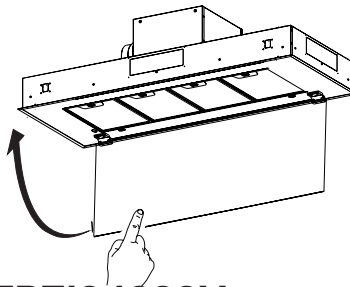
15

Remplacez les filtres à graisse.



16

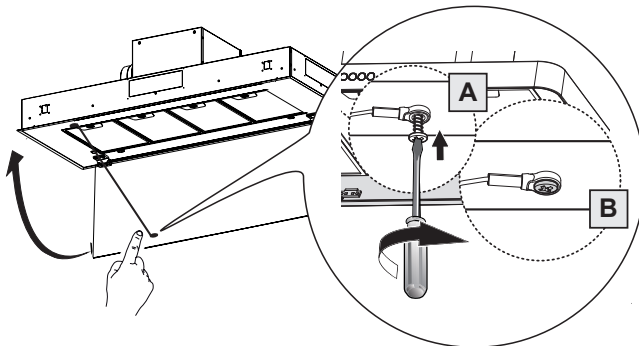
Fermez le panneau du couvercle du filtre.



STRTIS36SSV - STRTIS48SSV

16

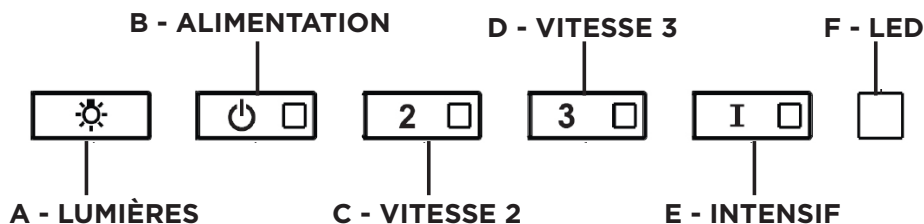
Avertissement! Le cache-filtre est équipé d'un système de sécurité. Fermez le panneau du couvercle du filtre. Fixez la vis du fil de sécurité retirée précédemment comme indiqué.




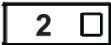








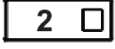


UTILISATION DES COMMANDES

POUR DE MEILLEURS RÉSULTATS

Mettez la hotte en marche plusieurs minutes avant la cuisson pour assurer une bonne circulation de l'air. Laissez la hotte fonctionner pendant plusieurs minutes après la fin de la cuisson pour évacuer la fumée et les odeurs de la cuisine.



BOUTON	FONCTION	INDICATEUR
	A - LUMIÈRES : Les lumières ont 3 niveaux - haut, bas, éteint - une pression rapide sur le bouton d'éclairage change les niveaux. Il est également possible de modifier la "température de couleur" ou "l'échelle de kelvin" sur cette hotte. Par un appui long de 2 secondes, il est possible de faire varier la couleur de la lumière entre "chaud" et "froid". Il y a 5 choix de couleurs possibles.	
	B - ALIMENTATION : une pression rapide allume/éteint le moteur à la vitesse un.	
	C - VITESSE 2 : une pression rapide allume le moteur à la vitesse deux.	
	Activer/Désactiver l'alarme du filtre à charbon : une pression longue avec les lumières allumées et le moteur éteint activera ou désactivera l'alarme du filtre à charbon.	Toutes les LED clignotent deux fois (alarme activée). Toutes les LED allumées pendant 1 seconde (alarme désactivée).
	D - VITESSE 3 : une pression rapide allume le moteur à la vitesse trois.	
	Réinitialiser l'alarme du filtre à graisse et/ou du filtre à charbon : une pression longue avec le moteur et les lumières éteints pour réinitialiser les alarmes de lavage du filtre.	Toutes les LED clignotent 3 fois.

BOUTON	FONCTION	INDICATEUR
	<p>E - NIVEAU INTENSIF 1 : une pression rapide activera le niveau de vitesse intensif 1 pendant 6 minutes.</p>	
 	<p>Alarme de filtre à graisse : si les boutons de vitesse deux et intensive sont allumés, cela signifie que l'alarme de saturation du filtre à graisse est activée et que les filtres à graisse doivent être lavés. L'alarme se déclenche après 100 heures de fonctionnement.</p> <p>Alarme de filtre à charbon : si l'alarme est activée, les voyants de vitesse deux et intensive clignoteront. Cela signifie que les filtres à charbon doivent être remplacés ET que les filtres à graisse doivent être lavés. L'alarme du filtre à charbon se déclenche après 200 heures de fonctionnement.</p>	 

INFORMATIONS WI-FI

Cet appareil est conforme à la partie 15 des règles de la FCC. Le fonctionnement est soumis aux deux conditions suivantes : (1) Cet appareil ne doit pas causer d'interférences nuisibles et (2) cet appareil doit accepter toute interférence reçue, y compris les interférences susceptibles de provoquer un fonctionnement indésirable.

Remarque : Cet équipement a été testé et déclaré conforme aux limites d'un appareil numérique de classe B, conformément à la partie 15 des règles de la FCC. Ces limites sont conçues pour fournir une protection raisonnable contre les interférences nuisibles dans une installation résidentielle. Cet équipement génère, utilise et peut émettre de l'énergie de radiofréquence et, s'il n'est pas installé et utilisé conformément aux instructions, peut causer des interférences nuisibles aux communications radio. Cependant, il n'y a aucune garantie que des interférences ne se produiront pas dans une installation particulière.

Si cet équipement cause des interférences nuisibles à la réception radio ou télévision, ce qui peut être déterminé en éteignant et en rallumant l'équipement, l'utilisateur est invité à essayer de corriger l'interférence en prenant une ou plusieurs des mesures suivantes :

- Réorientez ou repositionnez l'antenne de réception.
- Augmentez la distance entre l'équipement et le récepteur.
- Connectez l'équipement à une prise sur un circuit autre que celui auquel le récepteur est connecté.
- Consultez votre revendeur ou un technicien radio/TV expérimenté pour obtenir de l'aide.







Les modifications apportées à ce produit non autorisées par Faber peuvent invalider la compatibilité électromagnétique (CEM) et la conformité sans fil et refuser l'autorisation d'utiliser le produit.

Ce produit a démontré la conformité CEM dans des conditions qui incluaient l'utilisation de périphériques conformes et de câbles blindés entre les composants du système. Il est important d'utiliser des périphériques conformes et des câbles blindés entre les composants du système pour réduire la possibilité de causer des interférences aux radios, téléviseurs et autres appareils électroniques.

Exposition à l'énergie de radiofréquence. La puissance de sortie rayonnée de cet appareil respecte les limites d'exposition aux fréquences radio FCC et IC. Cet appareil doit être utilisé avec une distance de séparation minimale de 20 cm (8 po) entre l'équipement et le corps d'une personne.

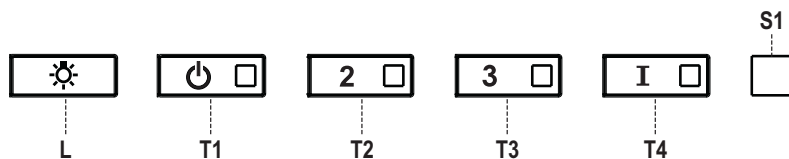
Informations sur l'appareil connecté
Contient l'ID FCC : 2AC7Z-ESPWROOM32D
Contient IC : 21098-ESPWROOM32D
Modèle : ESP32-WROOM-32D
CAN ICES-003(B)/NMB-003(B)

CONNEXIONS WI-FI

BOUTON	FONCTION	INDICATEUR
	<p>Activer/Désactiver la fonction de connexion Wi-Fi.</p> <p>Appuyez longuement sur le bouton de vitesse 2 avec le moteur et les lumières éteints pour activer/désactiver le Wi-Fi.</p> <p>Remarque : la fonction Wi-Fi est automatiquement activée lorsque l'utilisateur demande la procédure de configuration Wi-Fi.</p>	<p>F - LED</p> <p> Connexion au routeur sans fil domestique en cours.</p> <p> Connexion Wi-Fi activée.</p>
	<p>Démarrage de la configuration Wi-Fi</p> <p>Appuyez longuement dessus avec le moteur et les lumières éteints pour accéder ou terminer la procédure de configuration Wi-Fi. Avant de commencer la procédure, utilisez l'application Faber Cloud pour vous inscrire au système IOT Faber. Suivez ensuite les instructions pour ajouter un nouvel appareil et enregistrer votre routeur sans fil domestique.</p> <p>Si la procédure n'est pas terminée avec succès en quelques minutes, arrêtez le processus de configuration en maintenant le bouton de niveau intensif enfoncé pendant 3 secondes. Maintenez à nouveau ce bouton enfoncé pendant 3 secondes pour démarrer le processus. La hotte arrêtera le processus de configuration Wi-Fi s'il n'est pas terminé avec succès dans les 15 minutes.</p>	<p> La configuration est en cours.</p> <p> Lorsque la configuration est terminée, les LED restent allumées pendant 2 secondes.</p>

RÉGLAGE CFM < 295CFM

Pour démarrer le processus, assurez-vous que les lumières de la hotte sont allumées et que le moteur est éteint.



- 1) Appuyez sur **T1** et maintenez-le enfoncé pendant 7 secondes jusqu'à ce que toutes les LED clignotent.
- 2) Une fois le clignotement arrêté, appuyez sur **T1**.
- 3) **Le bouton T1** clignotera une fois, puis appuyez à nouveau sur le bouton **T1** pour confirmer votre choix (dans les 10 secondes).
- 4) Les quatre LED clignoteront à nouveau pour confirmer que vous avez terminé le réglage CFM à moins de 295 CFM.
- 5) Appliquez l'étiquette inférieure à 295 CFM à l'intérieur de la hotte (derrière les filtres à graisse) près de l'étiquette signalétique pour inspection et sur le devant de votre manuel d'installation/de l'utilisateur.
- 6) Pour confirmer votre réglage pour inspection, **les boutons T1 et T2** feront toujours fonctionner la hotte à la même vitesse. La vitesse la plus élevée (**T3**) et la vitesse intensive (**T4**) ne fonctionneront également plus.

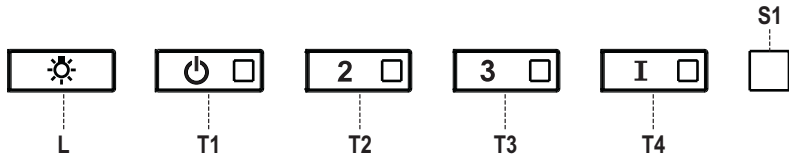
Remarque : Les boutons **T2** et **T3** fonctionneront désormais au même niveau et la vitesse intensive sera désactivée.

Attention : Lorsque le réglage inférieur à 295 CFM est terminé, il n'est plus possible de modifier ce paramètre au niveau CFM d'origine.

ATTENTION : Pour un bon fonctionnement de l'application FABER CLOUD, lorsque cette procédure est terminée, débranchez la fiche de l'alimentation électrique et rebranchez-la.

RÉGLAGE CFM < 395CFM

Pour démarrer le processus, assurez-vous que les lumières de la hotte sont allumées et que le moteur est éteint.



- 1) Appuyez sur **T1** et maintenez-le enfoncé pendant 7 secondes jusqu'à ce que toutes les LED clignotent.
- 2) Une fois le clignotement arrêté, appuyez sur **T2**.
- 3) **Le bouton T2** clignotera une fois, puis appuyez à nouveau sur le bouton **T2** pour confirmer votre choix (dans les 10 secondes).
- 4) Les quatre LED clignoteront à nouveau pour confirmer que vous avez terminé le réglage CFM à moins de 395 CFM.
- 5) Appliquez l'étiquette inférieure à 395 CFM à l'intérieur de la hotte (derrière les filtres à graisse) près de l'étiquette signalétique pour inspection et sur le devant de votre manuel d'installation/de l'utilisateur.
- 6) Pour confirmer votre réglage pour l'inspection, les boutons **T1** et **T2** feront toujours fonctionner la hotte à la vitesse 1 ou à la vitesse 2

Remarque : Les boutons **T3** et **T4** fonctionneront désormais au même niveau et la vitesse intensive sera désactivée.

Attention : Lorsque le réglage inférieur à 395 CFM est terminé, il n'est plus possible de modifier ce paramètre au niveau CFM d'origine.

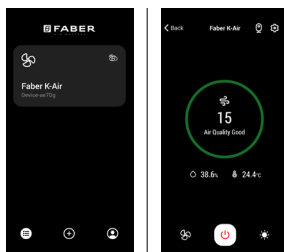
ATTENTION : Pour un bon fonctionnement de l'application FABER CLOUD, lorsque cette procédure est terminée, débranchez la fiche de l'alimentation électrique et rebranchez-la.












APPLICATION FABER CLOUD

Application Faber Cloud

Votre hotte est compatible avec l'application Faber Cloud. Tout ce dont vous avez besoin est un réseau Wi-Fi connecté à Internet qui se trouve à portée de la hotte. Vous pouvez contrôler toutes les fonctions de votre hotte de n'importe où à l'aide d'un appareil mobile ou de votre haut-parleur intelligent Amazon Alexa ou Google Home. Une fois connecté à votre haut-parleur intelligent, vous pouvez contrôler votre hotte avec votre voix.

L'application Faber Cloud est disponible sur les appareils iOS utilisant iOS 11.0 ou version ultérieure ou sur les appareils Android utilisant Android version 8 ou version ultérieure. Visitez l'Apple App Store ou le Google Play Store pour plus d'informations. Votre hotte de cuisine disposera de toutes les fonctionnalités si vous n'utilisez pas les fonctionnalités Wi-Fi ou l'application Faber Cloud, ni l'une ni l'autre n'est requise. Veuillez consulter le guide de démarrage Quick Connect inclus pour plus d'informations.



Icône	Fonction
	Page d'accueil
	Ajouter un nouvel appareil
	Gestion des profils utilisateurs
	Connectée au réseau Wi-Fi Faber
	Hotte activée/désactivée
	Gestion du système d'éclairage
	Gestion de la vitesse du moteur
	Fonction intensive
	Fonction de retard
	Fonction 24 h
	Gestion des paramètres de l'application

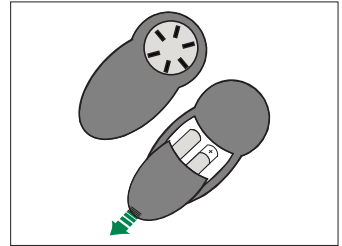
TÉLÉCOMMANDE

L'appareil peut être contrôlé à l'aide d'une télécommande alimentée par des piles alcalines carbone-zinc de 1,5 V de type standard LR03-AAA (non fournies).

- Les piles usagées doivent être éliminées de manière appropriée.

Attention :

- Ne placez pas la télécommande à proximité de sources de chaleur.
- Ne jetez pas les piles avec les déchets normaux, elles doivent être placées dans des conteneurs spécifiques.
- Assurez-vous que le compartiment à piles est vissé à plat et bien serré.



NETTOYAGE DE L'ACIER INOXYDABLE

Nettoyage des surfaces extérieures :

Veillez noter que les abrasifs et les agents de récurage peuvent rayer les finitions de la hotte et ne doivent pas être utilisés pour nettoyer les surfaces de finition.

Instructions de nettoyage de la finition en acier inoxydable :

Nettoyez les surfaces extérieures avec un nettoyant pour acier inoxydable disponible dans le commerce.

ENTRETIEN DES FILTRES

NETTOYAGE DES FILTRES À GRAISSE MÉTALLIQUES

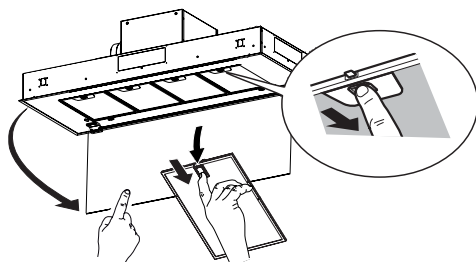
Ils peuvent être lavés dans le lave-vaisselle et doivent être nettoyés lorsque le témoin DEL **S1** s'allume ou au moins une fois tous les 2 mois d'usage, ou encore plus fréquemment en cas d'utilisation particulièrement intensive.

Réinitialisation de l'alarme du filtre à graisse

- Éteignez l'éclairage et la hotte.
- Appuyez sur **[3]** et tenez-le enfoncé pendant au moins 3 secondes, jusqu'à ce que le témoin DEL clignote 3 fois pour confirmer.

Nettoyage des filtres

- Ouvrez le panneau.
- Retirez les filtres un à un, en les poussant vers l'arrière de l'appareil et en les tirant vers le bas simultanément.
- Lavez les filtres sans les plier et laissez-les sécher complètement avant de les remettre en place. (Si la surface du filtre change de couleur au fil du temps, cela n'aura aucun impact sur l'efficacité du filtre même.)
- Remettez les filtres à graisse en place, en vous assurant que leur poignée se trouve vers l'avant.
- Faites sécher complètement les filtres avant de les remettre en place. Autrement, des résidus de graisse pourraient chauffer et couler.
- Refermez le panneau.



REEMPLACEMENT DU FILTRE À CHARBON ACTIF

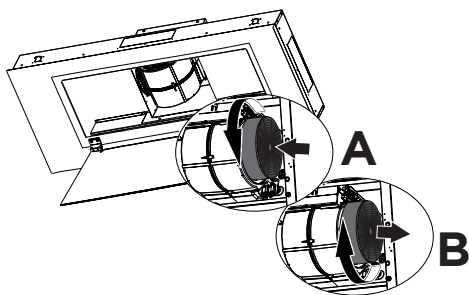
Ils ne peuvent être lavés ni régénérés, et doivent être changés lorsque le témoin DEL **S1** commence à clignoter, ou au moins une fois tous les 4 mois. S'il a été activé, le signal d'alarme apparaît uniquement lorsque le ventilateur de hotte est activé.

Réinitialisation du signal d'alarme

- Éteignez l'éclairage et le ventilateur de hotte.
- Appuyez sur **[3]** et tenez-le enfoncé pendant au moins 3 secondes, jusqu'à ce que le témoin DEL clignote 3 fois pour confirmer.

Nettoyage des filtres

- Ouvrez le panneau.
- Retirez le filtre à graisse métallique.
- Retirez les filtres à charbon actif saturés comme indiqué (B).
- Posez les nouveaux filtres, comme indiqué (A).
- Remettez en place les filtres à graisse métalliques.
- Refermez le panneau.



Attention : lorsqu'il est utilisé en mode recirculation, pour réduire le risque d'incendie et d'électrocution, utilisez uniquement le kit de conversion Modèle requis Accessoire de filtre à charbon actif requis - sku # - FILTRE1 ou FILTRE1ILL (acheté séparément).

NETTOYAGE DES SURFACES EXTÉRIEURES

Nettoyage des surfaces extérieures :

Veillez noter que l'utilisation de produits abrasifs ou solvants peut endommager la superficie de la hotte; ils ne devraient pas être utilisés pour le nettoyage des surfaces.

Instructions pour le nettoyage de l'acier inoxydable :

Nettoyez les surfaces extérieures avec un agent nettoyant pour l'acier inoxydable disponible sur le marché.

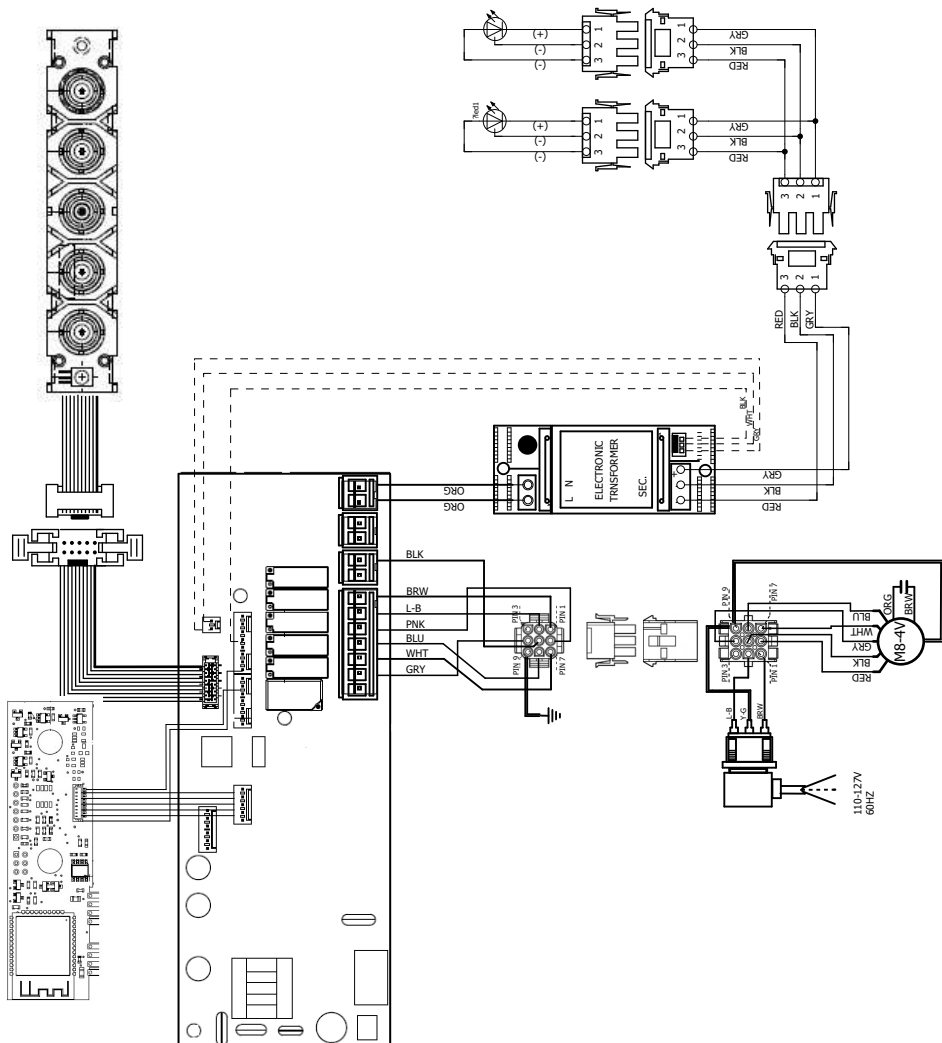
Instructions pour le nettoyage des surfaces peintes en gris :

Les surfaces extérieures doivent être lavées à l'aide d'eau chaude savonneuse.

REPLACEMENT DE L'ÉCLAIRAGE

Les lumières LED doivent être remplacées par un service agréé Faber.

SCHÉMA DE CÂBLAGE



GARANTIE



Garantie Franke Home Solutions pour les produits de marque Franke et Faber en vigueur le 1er mars 2022

Aux États-Unis, au Canada et en Amérique latine, Franke garantit les produits de la marque Faber contre les défauts de fabrication des matériaux et de la fabrication lorsqu'ils sont achetés auprès d'un revendeur agréé Franke ou Faber conformément aux garanties spécifiques aux produits détaillées dans le présent document (chacune, une « garantie » et collectivement, les « garanties »). Les produits doivent être correctement installés, conformément aux instructions d'installation de Franke, dans leur installation d'origine, et utilisés dans des applications de cuisine résidentielles intérieures normales. Tout produit ou composant qui a été modifié ou altéré par rapport à son état d'origine annulera la garantie. Les garanties Franke pour les produits de marque Faber sont limitées à l'acheteur d'origine et ne sont pas transférables. Ces garanties n'incluent pas les produits achetés auprès de revendeurs non agréés, les produits obsolètes ou abandonnés, ou les produits qui étaient des modèles précédemment affichés.

Tous les problèmes avec les produits installés sont considérés comme des demandes de garantie et ne sont pas soumis à la politique de retour. Franke se réserve le droit d'inspecter tout produit Franke/Faber signalé comme défectueux en vertu d'une réclamation au titre de la garantie et de l'installation d'origine avant de fournir un produit et/ou un composant de remplacement. Toutes les décisions sont finales. La responsabilité de Franke ne pourra en aucun cas dépasser le montant du prix d'achat initial. Les garanties ne couvrent pas, et Franke ne sera pas tenue responsable, de tout dommage aux produits ou composants résultant d'une mauvaise utilisation ou d'un abus, de dommages accidentels, d'une usure normale telle que des éraflures, des rayures ou d'une réduction/décoloration du fini, d'une installation incorrecte, d'une utilisation anormale, d'une négligence, des dommages causés par un entretien ou un nettoyage inapproprié. Les dommages causés par des impuretés, des produits chimiques corrosifs ou des actes indépendants de la volonté de Franke ne sont couverts par aucune garantie. Les appels de service pour corriger l'installation d'une hotte de cuisinière, les instructions sur la façon de faire fonctionner une hotte de cuisinière, pour remplacer ou réparer les fusibles de la maison ou pour corriger le câblage ou la plomberie de la maison ne sont couverts par aucune garantie. Les appels de service pour réparer ou remplacer les ampoules, les fusibles ou les filtres de la hotte de cuisinière et ces coûts de pièces consommables sont également exclus de la couverture de la garantie. Une installation non conforme aux codes électriques ou de plomberie ou à la documentation Franke/Faber n'est couverte par aucune garantie. Les pièces de rechange ou les coûts de main-d'œuvre de réparation pour les unités utilisées à l'extérieur des États-Unis, du Canada ou de l'Amérique latine, y compris les hottes de cuisinière Franke/Faber non approuvées UL ou C-UL ou NOM, sont exclus de la couverture de la garantie. Les frais de déplacement et de transport pour l'entretien dans des endroits éloignés et les frais de ramassage et de livraison ne sont couverts par aucune garantie. Les hottes de cuisinière Franke/Faber doivent toujours être entretenues à domicile dans leur installation d'origine.

Les remplacements de produits Franke/Faber n'incluent pas la responsabilité pour les retards de projet. Les remplacements de produits ne sont pas garantis comme étant des remplacements exacts. Si le produit d'origine n'est pas disponible au moment de la demande de garantie, à la discrétion de Franke, les produits de remplacement seront de taille, de matériau et de valeur similaires. Tout produit ou composant qui a été modifié ou altéré par rapport à son état d'origine annulera la garantie.

Les garanties n'autorisent pas le recouvrement des dommages indirects ou consécutifs tels que la perte d'utilisation, le retard, les dommages matériels ou autres dommages consécutifs, et Franke décline toute responsabilité pour ces dommages. Chaque garantie est limitée aux conditions énoncées dans le présent document et à la période de garantie applicable spécifiée dans le présent document et est exclusive. À L'EXCEPTION DES GARANTIES ÉNONCÉES DANS LE PRÉSENT DOCUMENT, FRANKE N'OFFRE AUCUNE GARANTIE CONCERNANT LES PRODUITS, Y COMPRIS, MAIS SANS S'Y LIMITER, (1) TOUTE GARANTIE DE QUALITÉ MARCHANDE, (2) GARANTIE D'ADÉQUATION À UN USAGE PARTICULIER, (3) GARANTIE DE TITRE DE PROPRIÉTÉ, OU (4) GARANTIE CONTRE LA VIOLATION DES DROITS DE PROPRIÉTÉ INTELLECTUELLE D'UN TIERS, QU'ELLE SOIT EXPRESSE OU IMPLICITE PAR LA LOI, LE COURS DES AFFAIRES, LE COURS DE L'EXÉCUTION, L'USAGE DU COMMERCE OU AUTREMENT. AVIS DE NON-RESPONSABILITÉ LÉGALE, VEUILLEZ

LIRE ATTENTIVEMENT. Franke Kitchen Systems LLC vous fournit les informations ci-dessus en tant que service public à nos clients. En accord à ces informations et en les utilisant, vous acceptez ce qui suit et vous vous conformez à toutes les lois applicables. Si vous n'êtes pas d'accord avec ces termes et conditions, n'utilisez pas ces informations. Bien que nous essayions de maintenir l'information à jour, des changements peuvent avoir eu lieu depuis sa création. Contactez votre directeur régional ou le service client pour vérifier les informations concernant les programmes Franke Kitchen Systems LLC et leur utilisation par vous.

Garantie limitée des hottes de cuisinière Franke/Faber :

Les hottes de cuisinière Franke/Faber sont garanties contre tout défaut de matériaux ou de fabrication pour l'acheteur d'origine pendant une période de deux (2) ans à compter de la date d'achat d'origine lorsqu'elles sont utilisées dans des applications intérieures résidentielles normales. Cette garantie couvre la main-d'œuvre et les pièces de rechange. Franke, à sa discrétion, peut réparer ou remplacer le produit ou les composants nécessaires pour remettre le produit en bon état de fonctionnement.



Cette garantie remplace toutes les autres garanties, expresses ou implicites. Aucun employé, représentant commercial sur le terrain ou distributeur n'est autorisé à donner des garanties au nom de Franke Kitchen Systems, LLC.

Pour faire une réclamation au titre de la garantie d'un produit installé, veuillez contacter Franke aux coordonnées fournies ci-dessous. Toutes les réclamations de garantie doivent inclure les éléments suivants pour le traitement :

1. Preuve d'achat auprès d'un revendeur agréé Franke ou Faber
2. Nom, adresse (ville, état, code postal) de l'acheteur d'origine, adresse de courrier électronique et numéro de téléphone
3. Modèle et numéro de série Franke/Faber
4. Date d'installation
5. Description du défaut
6. Photos du défaut

En Amérique du Nord et en Amérique Latine :

Franke Home Solutions

À l'attention de : Warranty Department

800 Aviation Parkway

Smyrna, TN 37167

HS-Warranty.US@Franke.com

Raison sociale :

Franke Kitchen Systems LLC

CONTENIDOS

Sección	Página
Instrucciones importantes de seguridad	78
Dimensiones de la campana extractora	82
Requerimientos de altura para la instalación	83
Piezas	84
Herramientas necesarias	86
Elija su método de canalización	87
Preparación de la instalación de la campana de techo	90
Información sobre la instalación	92
Instalación del soplador interno	93
Instalación del cuerpo de la campana extractora	95
Instrucciones de montaje en techo	96
Conecte los conductos instalación - de la ventilación por conductos	98
Conecte los conductos - opciones de recirculación sin conductos	99
Conexión de la caja de cableado de la casa	100
Operación de los controles	102
Aplicación Faber Cloud	108
Mando a distancia	109
Limpieza del acero inoxidable	109
Cuidado de los filtros	110
Sustitución de la iluminación	111
Diagrama de cableado	112
Garantía	113

INSTRUCCIONES IMPORTANTES DE SEGURIDAD

LEA Y GUARDE ESTAS INSTRUCCIONES ANTES DE COMENZAR A INSTALAR ESTA CAMPANA EXTRACTORA

ATENCIÓN: - PARA REDUCIR EL RIESGO DE INCENDIO DE GRASA:

- a) Nunca deje las unidades de superficie desatendidas en ajustes altos. Las ebulliciones causan humo y derrames grasientos que pueden encenderse. Caliente los aceites lentamente en ajustes bajos o medios.
- b) Siempre encienda la campana cuando cocine a fuego alto o cuando flamee alimentos (por ej. Crepes Suzette, Cherries Jubilee, Peppercorn Beef Flambé).
- c) Limpie los sopladores con frecuencia. No se debe permitir que la grasa se acumule en el soplador o filtro.
- d) Use un tamaño de olla adecuado. Siempre use utensilios de cocina apropiados para el tamaño del elemento de superficie.

ADVERTENCIA: - PARA REDUCIR EL RIESGO DE LESIONES A PERSONAS EN CASO DE INCENDIO DE GRASA, TENGA CUENTA LO SIGUIENTE*:

- a) **APAGUE LAS LLAMAS** con una tapa ajustada, bandeja para hornear galletas o bandeja de metal, luego apague el quemador. **TENGA CUIDADO PARA EVITAR QUEMADURAS.** Si las llamas no se apagan de inmediato, **EVACUE Y LLAME AL DEPARTAMENTO DE BOMBEROS.**
- b) **NUNCA RECOJA UNA OLLA EN LLAMAS** - Puede quemarse.
- c) **NO USE AGUA**, incluidos paños de cocina húmedos o toallas; se producirá una violenta explosión de vapor.
- d) Use un extintor **SOLAMENTE** si:
 1. Usted sabe que tiene un extintor Clase ABC y ya sabe cómo operarlo.
 2. El fuego es pequeño y está contenido en el área donde comenzó.
 3. Llame al departamento de bomberos.
 4. Puede luchar contra el fuego con su espalda hacia una salida.

* Basado en "Kitchen Firesafety Tips" publicado por NFPA

ADVERTENCIA - PARA REDUCIR EL RIESGO DE DESCARGA ELÉCTRICA O INCENDIO, no use este soplador con ningún dispositivo de control de velocidad de estado.

ADVERTENCIA - PARA REDUCIR EL RIESGO DE INCENDIOS, DESCARGAS ELÉCTRICAS O LESIONES PERSONALES, OBSERVE LO SIGUIENTE:

1. Use esta unidad solo de la manera prevista por el fabricante. Si tiene alguna pregunta, comuníquese con el fabricante.
2. Antes de reparar o limpiar la unidad, apague el equipo en el panel de servicio y bloquee los medios de desconexión del servicio para evitar que la energía se encienda accidentalmente. Cuando los medios de desconexión del servicio no se puedan bloquear, fije de forma segura un dispositivo de advertencia prominente, como una etiqueta, al panel de servicio.

PRECAUCIÓN: Para uso general de ventilación solamente. No lo use para expulsar materiales y vapores peligrosos o explosivos.

ADVERTENCIA - PARA REDUCIR EL RIESGO DE INCENDIOS, DESCARGAS ELÉCTRICAS O LESIONES PERSONALES, OBSERVE LO SIGUIENTE:

1. El trabajo de instalación y el cableado eléctrico deben realizarlo las personas calificadas de acuerdo con todos los códigos y estándares aplicables, incluida la construcción con clasificación de incendio.
2. Se necesita suficiente aire para la combustión adecuada y el escape de gases a través del tubo de humos (chimenea) del equipo que quema combustible para

evitar la retrogresión. Siga las directrices del fabricante del equipo de calefacción y las normas de seguridad tales como los publicados por la National Fire Protection Association (NFPA), la American Society for Heating, Refrigeration and Air Conditioning Engineers (ASHRAE) y las autoridades de los códigos locales.

- 3. Al cortar o perforar la pared o el techo, no dañe el cableado eléctrico ni otros servicios ocultos.**
- 4. Los sopladores con conductos siempre deben tener salida al exterior.**

TODAS LAS ABERTURAS DE LA PARED Y EL PISO DONDE ESTÁ INSTALADA LA CAMPANA EXTRACTORA SE DEBEN SELLAR.

Esta campana extractora requiere al menos 35" de espacio libre entre la parte inferior de la campana y la superficie de cocción o encimera. Esta campana ha sido aprobada por UL a esta distancia de la placa.

Consulte las instrucciones de instalación de la placa o la campana proporcionadas por el fabricante antes de hacer cualquier corte. **INSTALACIÓN EN CASA MÓVIL** La instalación de esta campana extractora debe cumplir con las Normas de seguridad y construcción de viviendas prefabricadas, Título 24 CFR, Parte 3280 (anteriormente Norma federal para construcción y seguridad de casas móviles, Título 24, HUD, Parte 280).

Atención: Esta campana ha sido diseñada para minimizar la interferencia electromagnética (EMI) que se origina en la fuente de alimentación doméstica del consumidor. Sin embargo, en algunas aplicaciones domésticas, la EMI ambiental y la EMI excesiva de otras fuentes electrónicas pueden afectar la fiabilidad del mando a distancia.

Hable con su distribuidor Faber acerca de una pieza de repuesto opcional para reducir aún más la EMI de fuentes domésticas.

REQUISITOS DE VENTILACIÓN

Determine qué método de ventilación es mejor para su aplicación. Los conductos pueden extenderse a través de la pared o el techo.

La longitud de los conductos y la cantidad de codos se deben mantener al mínimo para proporcionar un rendimiento eficiente. El tamaño de los conductos debe ser uniforme. No instales dos codos juntos. Use cinta adhesiva para sellar todas las juntas en el sistema de conductos. Use masilla para sellar la pared exterior o la abertura del espacio del techo alrededor de la tapa.

No se recomiendan conductos flexibles. Los conductos flexibles crean una contra-presión y turbulencias de aire que reducen en gran medida el rendimiento.

Asegúrese de que haya espacio libre adecuado dentro de las paredes y espacio en el piso para el conducto de escape antes de hacer los cortes. No corte una vigueta o poste a menos que sea absolutamente necesario. Si se debe cortar una vigueta o poste, entonces se debe construir un marco de soporte.

ADVERTENCIA - Para reducir el riesgo de incendio, use solamente conductos de metal.

PRECAUCIÓN - Para reducir el riesgo de incendio y para descargar adecuadamente el aire, asegúrese de sacar el aire - No expulse los humos en espacios dentro de paredes o techos, áticos, espacios angostos o garajes.

ADVERTENCIA: Para Reducir el Riesgo de Incendio, Descarga Eléctrica o Lesiones Personales, No Utilice Piezas de Recambio Que No Hayan Sido Recomendadas Por El Fabricante (por ejemplo, Piezas Fabricadas En Casa Usando Una impresora 3D).

Instalaciones para clima frío

Se debe instalar un registro de retrogresión para minimizar el flujo de aire frío hacia atrás y se debe instalar un interruptor térmico no metálico para minimizar la conducción de temperaturas externas como parte del sistema de ventilación. El registro debe estar en el lado del aire frío del interruptor térmico. El interruptor debe estar lo más cerca posible de donde el sistema de ventilación ingrese a la parte calentada de la casa.



ADVERTENCIA

- El sistema de ventilación DEBE terminar fuera del hogar.
- **NO** termine el conducto en un espacio ático o en otro espacio cerrado.
- **NO** use tapones de pared de 4" tipo lavadero.
- No se recomiendan conductos flexibles.
- **NO** obstruya el flujo del aire de combustión y ventilación.
- El incumplimiento de los requisitos de ventilación puede provocar un incendio.

REQUISITOS ELÉCTRICOS

Se requiere un suministro eléctrico de 120 voltios, 60 Hz solo CA en un circuito separado con fusible de 15 amperios. Se recomienda un fusible de retardo o un cortacircuitos. El fusible se debe dimensionar según los códigos locales de acuerdo con la clasificación eléctrica de esta unidad, tal como se especifica en la placa de número de serie/clasificación ubicada dentro de la unidad, cerca del compartimento de cableado de campo.

INSTALACIÓN ELÉCTRICA CON CAJA DE CABLEADO

ESTA UNIDAD DEBE CONECTARSE CON CABLE DE COBRE SOLAMENTE. Los tamaños de los cables deben cumplir con los requisitos del Código Eléctrico Nacional, ANSI / NFPA 70, última edición, y todos los códigos y ordenanzas locales. El tamaño del cable y las conexiones deben cumplir con la clasificación del equipo. Se pueden obtener copias de la norma enumerada anteriormente en:

National Fire Protection Association
Batterymarch Park
Quincy, Massachusetts 02269

Este electrodoméstico debe conectarse directamente a la desconexión por fusible (o disyuntor) a través de un cable flexible, blindado o no metálico de cobre enfundado. Deje algo de tensión en el cable para poder mover el dispositivo si alguna vez lo necesita. Debe haber un conector de conducto de 1/2 homologado por UL en cada extremo del cable de suministro de energía (en el equipo y en la caja de conexiones).

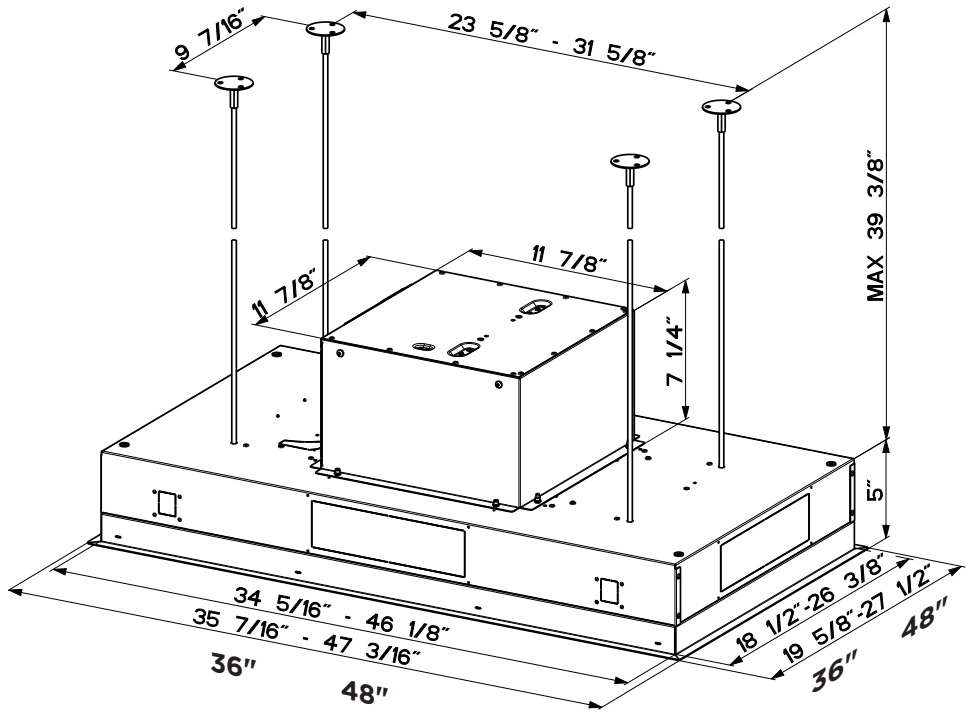
Al hacer la conexión eléctrica, corte un agujero de 1 1/4 ". Un agujero cortado a través de la madera debe lijarse hasta que quede liso. Un agujero a través del metal debe tener un ojal.



ADVERTENCIA

- Esta campana extractora requiere conexión eléctrica de tierra.
- Si la tubería de agua fría está interrumpida por juntas de plástico, de materiales no metálicos u otros materiales, NO la utilice para conexión a tierra.
- NO conecte a tierra a una tubería de gas.
- NO tenga un fusible en el circuito neutro o de tierra. Un fusible en el circuito neutro o de tierra podría provocar una descarga eléctrica.
- Consulte con un electricista calificado si tiene dudas acerca de si la campana extractora está correctamente conectada a tierra.
- El incumplimiento de los requisitos eléctricos puede provocar un incendio.

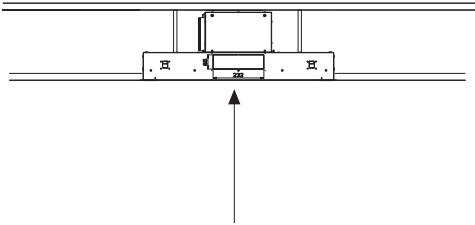
DIMENSIONES DE LA CAMPANA EXTRACTORA



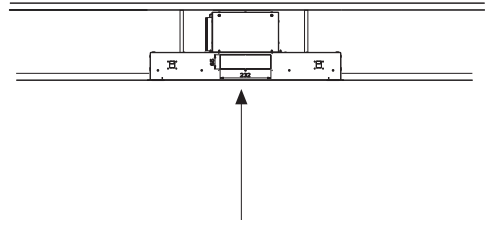
REQUERIMIENTOS DE ALTURA PARA LA INSTALACIÓN

Se recomienda una altura de montaje de 60" por encima de la superficie de cocción para obtener el mejor rendimiento, pero puede montarse a una distancia máxima de 72" de la superficie de cocción.

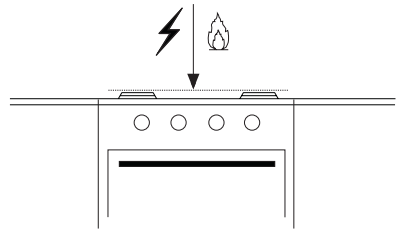
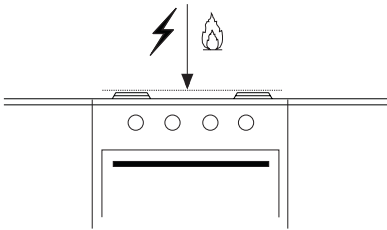
Es necesario hacer un punto de acceso a la campana desde el techo para la instalación y el futuro acceso a la campana extractora.



MÍNIMO. 35" SOBRE ELÉCTRICA / GAS





MÁX. 72" SOBRE ELÉCTRICA O GAS

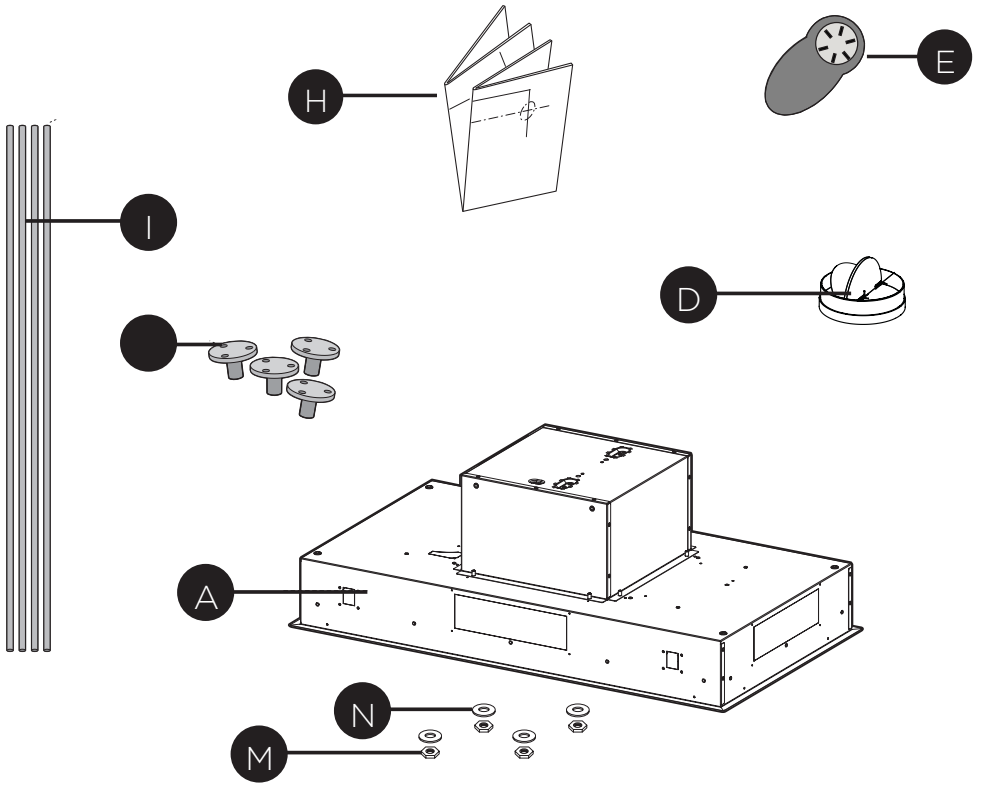


PIEZAS

PIEZAS INCLUIDAS




REF.	PIEZA	CANT
A	Cuerpo de la campana dotado de: Controles, Luces, Filtros.	1
D	Amortiguador \varnothing 6"	1
E	Control remoto	1
H	Plantilla de perforación	1
I	Perno de barra roscada	4
L	Soporte de perno de techo	4

REF	PIEZA	CANT
M	Tuerca	 4
N	Arandela	 4



PIEZAS (cont.)




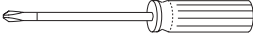

PIEZAS NECESARIAS

PIEZA	
Conductos metálicos redondos de 6"	
Conectores de cables.	
Tacos para tablarroca u otros elementos de fijación a la pared adecuados en función de su instalación.	

ACCESORIOS DISPONIBLES

ACCESORIO	SKU#
Kit de accesorios para el filtro de carbón activado	#FILTER1
Kit de filtro de carbón activado lavable de larga duración	#FILTER1LL

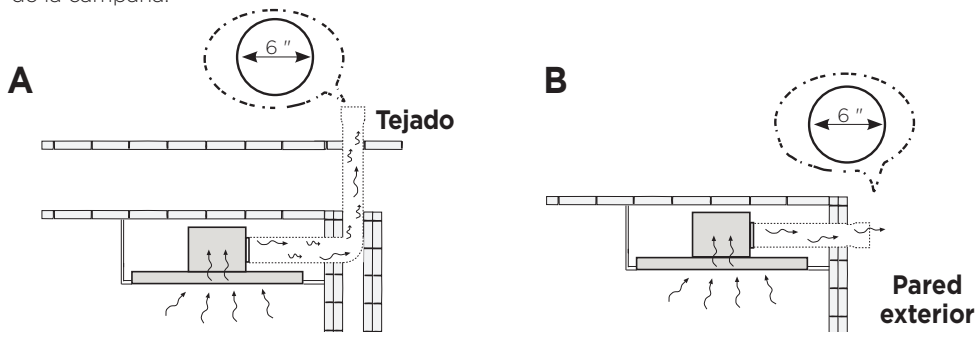
HERRAMIENTAS NECESARIAS

HERRAMIENTA	
Cinta Métrica	
Lápiz	
Taladro Eléctrico con Broca de 5/16	
Destornillador Phillips	
Guantes de trabajo	

ELIJA SU MÉTODO DE CANALIZACIÓN

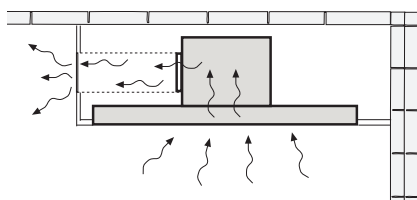
Opciones de ventilación por conductos

Precaución: Si se requiere un codo, hágalo lo más lejos posible de la apertura de extracción de la campana.



Opciones de recirculación sin conductos

Se requiere el accesorio de filtro de carbón activado FILTER1 o FILTERILL (se compra por separado). La tapa de registro para la salida del conducto de aire se muestra para el diseño no se incluye.



Se recomienda una tapa de registro para la salida del conducto de aire.

Atención: Cuando trabaje en modo de recirculación, utilice únicamente el kit de conversión modelo FILTER1 o FILTERILL para reducir el riesgo de incendio y de choque.

Se necesitan dos hombres para la instalación



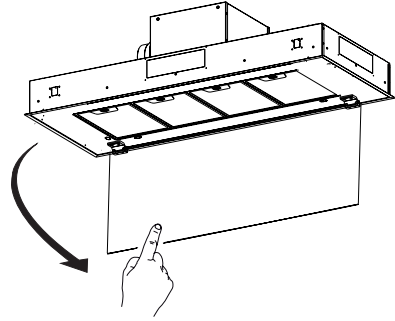
Use guantes de trabajo para la seguridad



STRTIS36WHV - STRTIS48WHV

1

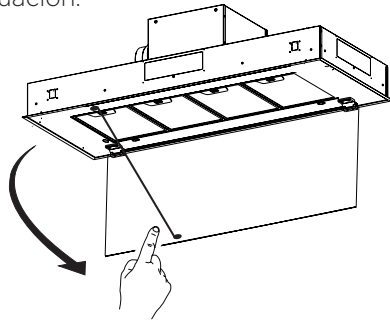
Abra el panel de la cubierta del filtro. El panel de la cubierta del filtro está sujeto por un cierre magnético, tire hacia abajo con suficiente fuerza para liberarlo como se muestra a continuación.



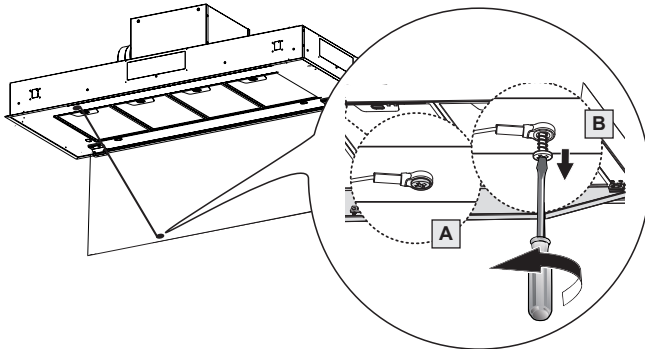
STRTIS36SSV - STRTIS48SSV

1

Advertencia! El panel de la cubierta está equipado con un sistema de seguridad. Abra el panel de la cubierta del filtro. El panel de la cubierta del filtro está sujeto por un cierre magnético, tire hacia abajo con suficiente fuerza para liberarlo como se muestra a continuación.

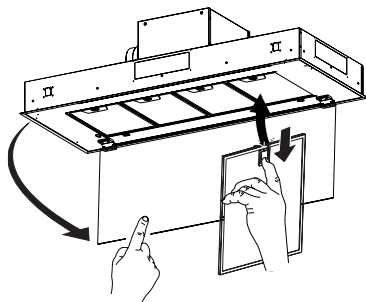


Retire un tornillo de cable de seguridad. como se muestra.



2

Retire los filtros de grasa de uno en uno, empujándolos hacia la parte posterior de la unidad, y al mismo tiempo tirando hacia abajo y déjelos a un lado.

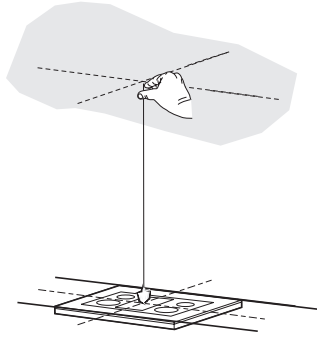


PREPARACIÓN DE LA INSTALACIÓN DE LA CAMPANA DE TECHO

No haga ningún recorte hasta que haya decidido si esta instalación será: con conductos o sin conductos y si el cableado se ha preparado en función del tipo de soplador.

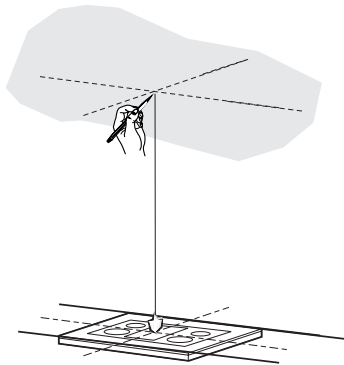
3

Utilice una plomada para marcar el centro de la gama en el techo.



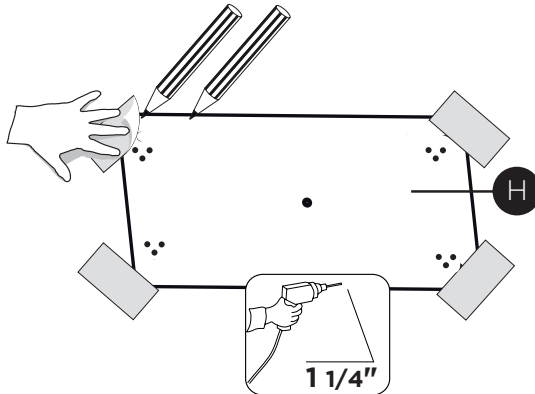
4

Marque los centros.



5

- Para todas las instalaciones, debe crearse un punto de acceso a la campana para su instalación y futuro mantenimiento.
- Coloque una cubierta gruesa y protectora sobre la placa de cocción para protegerla de posibles daños o de la suciedad.
- Utilice la plantilla de montaje en el techo para determinar la colocación de los tornillos de montaje en el techo.
- Marque el centro de los agujeros en la plantilla del techo.
- Determine y haga los cortes necesarios para los conductos.
- Instale los conductos antes de montar la campana.
- Determine la ubicación adecuada para el cable de alimentación como se indica en la plantilla.
- Utilice una broca de 1 1/4" para hacer este agujero.
- Pase el cable de alimentación. Use calafateo para sellar alrededor del agujero.
- En la parte superior de la campana extractora hay un orificio para pasar el cable de alimentación desde el techo.
- No conecte el cable de alimentación a la caja de cableado ni encienda la campana en este momento.
- Pase suficiente cable de alimentación desde el techo para llegar a la caja de cableado de la campana.

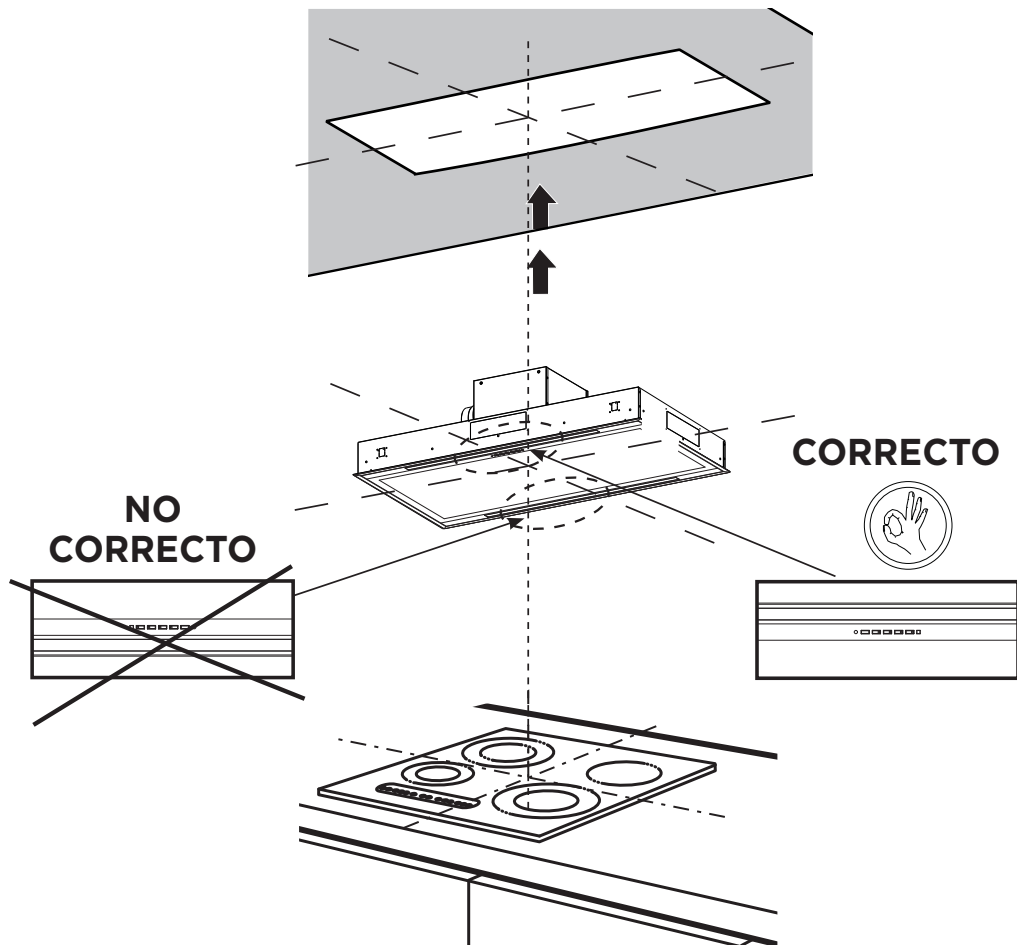


¡ADVERTENCIA!

DEBIDO AL TAMAÑO Y AL PESO DE ESTA CAMPANA, EL SOPORTE DEBE ESTAR FIJAMENTE FIJADO AL TECHO. En el caso de techos de yeso o de chapa de roca, el soporte debe estar fijado a las viguetas. Si esto no es posible, debe construirse una estructura de soporte detrás de la escayola o la chapa de roca. El fabricante no asume ninguna responsabilidad por lesiones o daños causados por instalaciones inadecuadas.

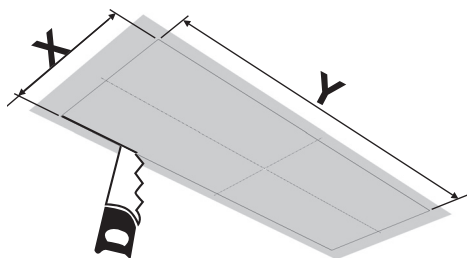
INFORMACIÓN SOBRE LA INSTALACIÓN

Para preparar la instalación de la campana, orientela con el panel de control en la parte frontal de la campana, tal como se muestra a continuación.



Campana	X	Y
36"	18 11/16"	34 9/16"
48"	26 9/16"	46 3/8"

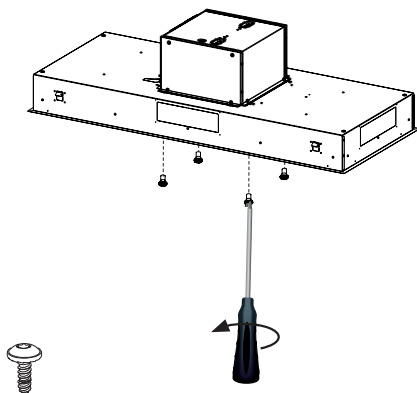
Vea la imagen con las dimensiones para el recorte del techo.



INSTALACIÓN DEL SOPLADOR INTERNO

1 Caja separada y campana extractora

Afloje los 4 tornillos para desmontar la caja del soplador.



Destornillador
Torx

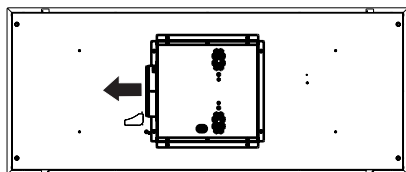


2 Elija la posición de la caja (izquierda-derecha-trasera-frontal)

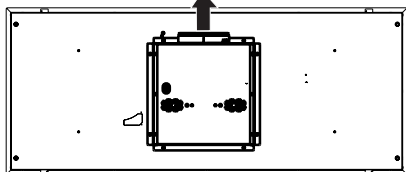
El soplador puede colocarse en cuatro direcciones de ventilación diferentes, como se muestra.

Gire la caja con el soplador en la posición correcta.

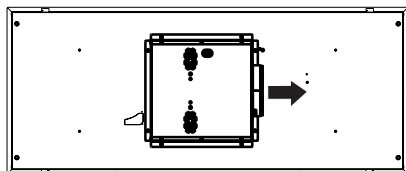
Izquierda



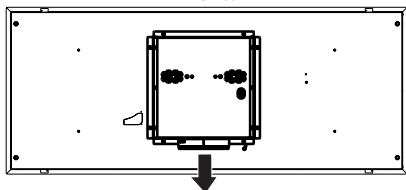
Parte trasera



Derecha



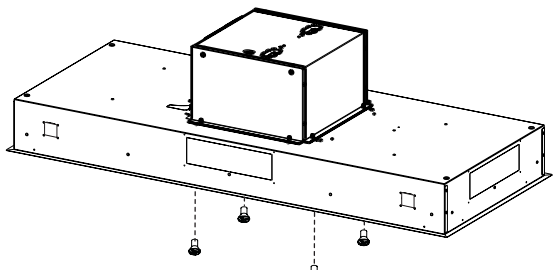
Frontal



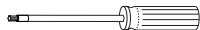
3

Fije la caja del motor a la campana extractora

Fije la caja con el soplador con los 4 tornillos que ha retirado anteriormente.



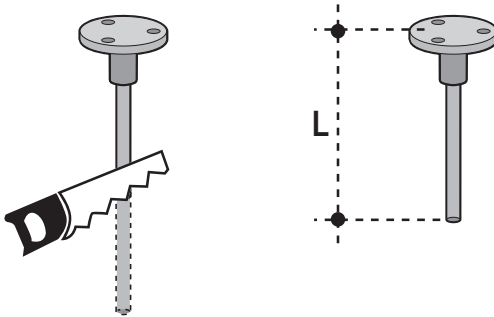
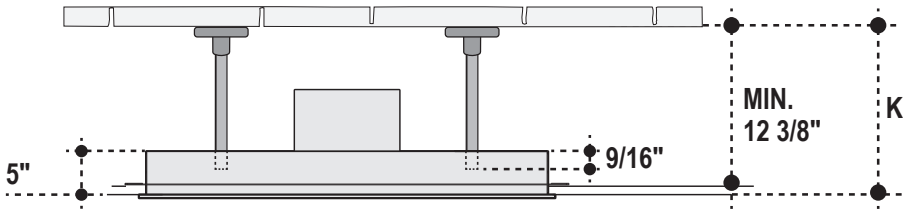
Destornillador
Torx



INSTALACIÓN DEL CUERPO DE LA CAMPANA EXTRACTORA

4

Ensamble los soportes de montaje de la campana extractora



$$L = K - 4 \frac{1}{2}''$$

Para determinar la longitud de los 4 pernos de montaje:

Mida la distancia total entre el área de montaje en el techo y la parte inferior de la campana / donde comienza el techo.

Reste $4 \frac{1}{2}''$ ($5 \frac{1}{16}'' - 9/16''$) de la distancia total para determinar la longitud correcta. Recorte el exceso de longitud de los pernos.

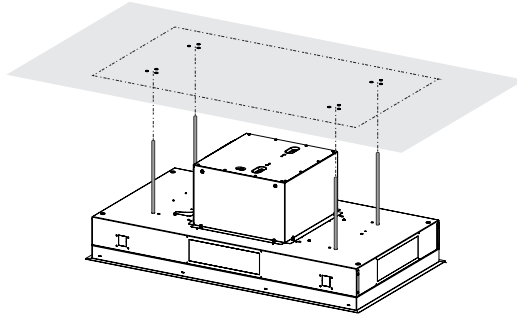
Por ejemplo, si hay $13''$ entre la zona de montaje y el techo, $13'' - 4 \frac{1}{2}'' = 8 \frac{1}{2}''$ sería la longitud total necesaria para los pernos.

INSTRUCCIONES DE MONTAJE EN TECHO

5

Marca en el techo

Vea a continuación una imagen detallada sobre la perforación de los agujeros en la superficie de fijación (interior del techo o soffito) que se utilizará para montar los pernos. Los elementos de fijación utilizados deben ser compatibles con los agujeros de 5/16" y se compran por separado.

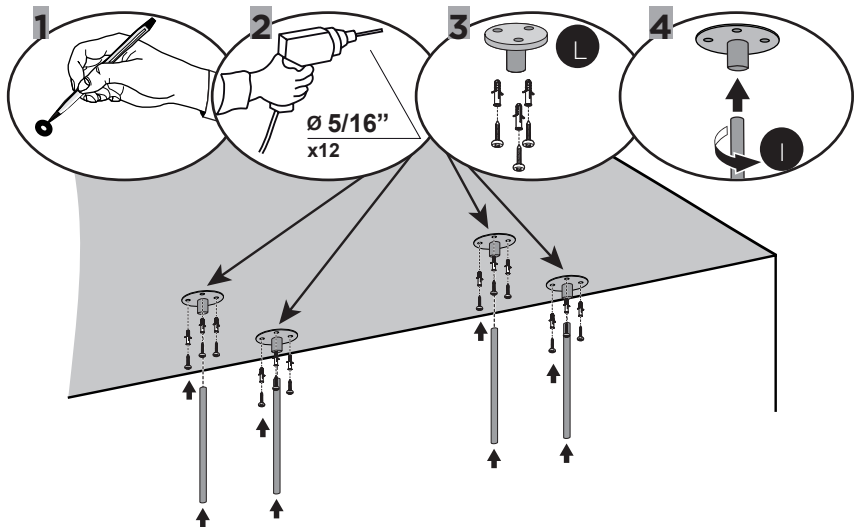


6

Instalación de pernos en el techo

Utilice los agujeros creados con la plantilla de perforación para la ubicación de los sujetadores del techo (adquiridos por separado).

Utilice tacos de pared u otros elementos de fijación junto con los elementos de fijación al techo (adquiridos por separado).

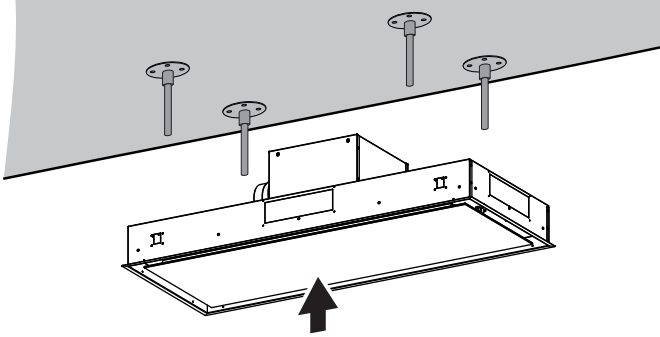


1. Utilice una broca de 5/16" para hacer estos agujeros.
2. Utilice tacos, si procede, u otros elementos de fijación junto con los elementos de fijación al techo (adquiridos por separado).
3. Fije los pernos roscados a los soportes de los pernos del techo enroscando el perno en el soporte hasta que quede apretado y seguro.

7

Instalación del soporte en el techo

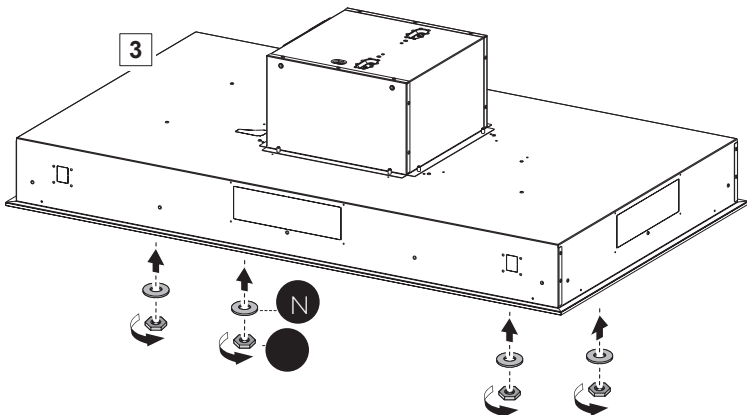
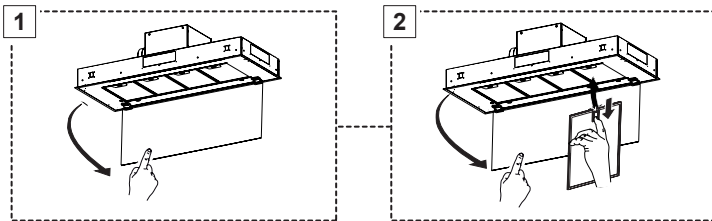
Asegúrese de que los pernos están a la distancia correcta para encajar en los agujeros correspondientes de la campana.



8

Instalación del soporte en el techo

Tire hacia abajo del panel periférico y retire los filtros de grasa. Empuje con cuidado la campana hacia el techo e inserte los 4 pernos en los agujeros correspondientes de la campana. Coloque la arandela y las tuercas firmemente en los 4 pernos.

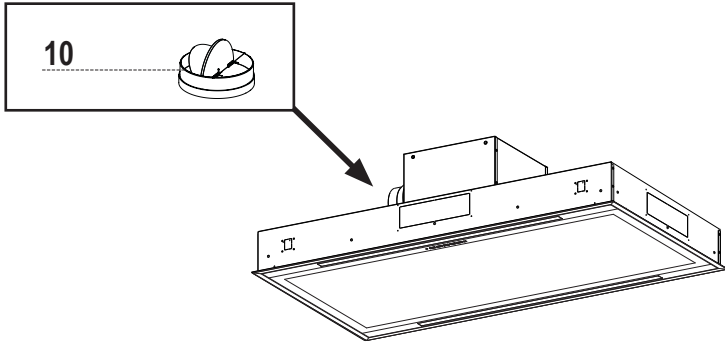


CONECTE LOS CONDUCTOS INSTALACIÓN DE LA VENTILACIÓN POR CONDUCTOS

9

Instalación de la compuerta

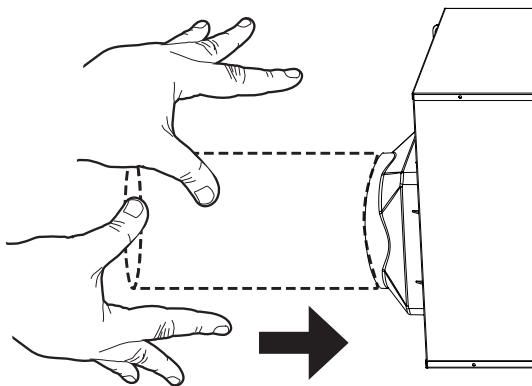
Instale la compuerta que se incluye con la campana antes de conectarla a la red de conductos. Selle con cinta adhesiva para conductos.



10

Conecte a la salida de aire

Conecte la campana a la tubería de salida de aire. Utilice cinta adhesiva para sellar la unión.

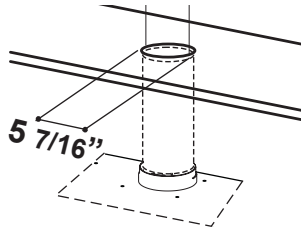


CONECTE LOS CONDUCTOS

OPCIONES DE RECIRCULACIÓN SIN CONDUCTOS

11

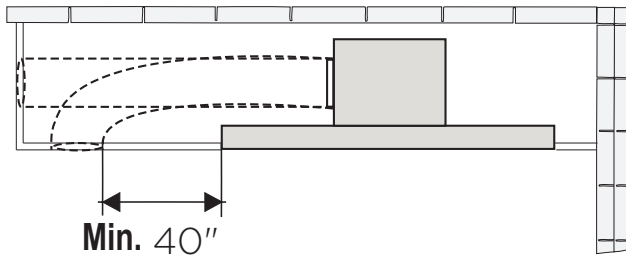
Orificio de recirculación



12

Información sobre el orificio de recirculación

Mantenga el conducto de aire de retorno a una distancia mínima de 40" del lateral de la campana extractora.

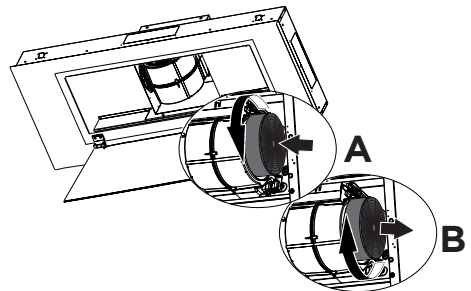


13

Instale el kit de filtro de carbón activado

- Conecte cada filtro de carbón a la rejilla negra de cada lado del soplador.
- Presione el filtro de carbón vegetal firmemente contra la rejilla negra del lado del soplador y gire el filtro en el sentido de las agujas del reloj (hacia la parte delantera de la campana extractora) hasta que encaje en su sitio (A).
- Gire en sentido contrario a las agujas del reloj (hacia la parte trasera de la campana extractora) para retirarlo (B).

Precaución: cuando se usa en modo de recirculación, para reducir el riesgo de incendio y descarga eléctrica, use solo el kit de conversión Modelo Requerido Accesorio de filtro de carbón activado - sku # - FILTER1 o FILTER1LL (se compra por separado).



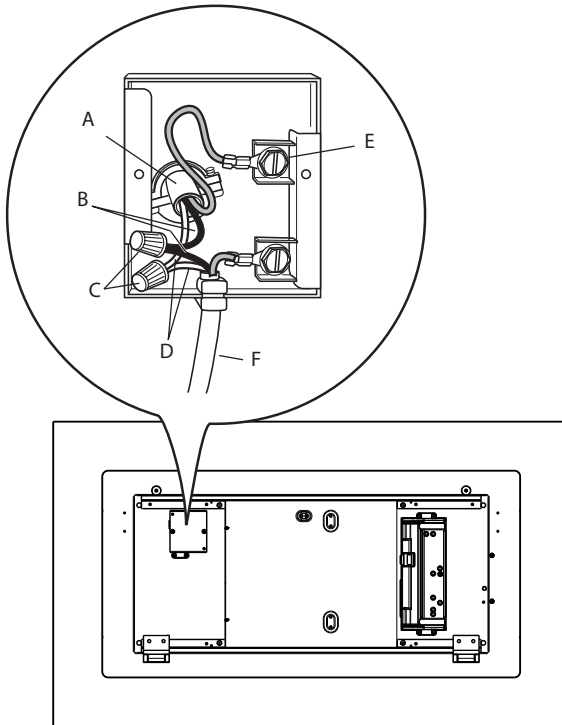
CONEXIÓN DE LA CAJA DE CABLEADO DE LA CASA

14

CABLEADO DE LA ALIMENTACIÓN DE LA CASA A LA CAMPANA

Instalación de la conexión de la caja del cableado de alimentación de la casa

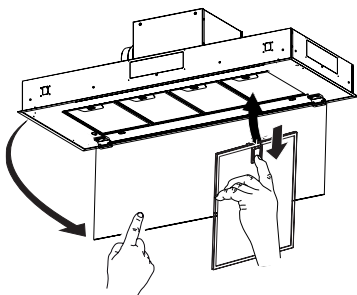
1. Retire la tapa del compartimento de cableado de campo. ¡NO conecte la alimentación hasta que la instalación esté completa!
2. Conecte el cable de alimentación a la campana extractora.
3. Conecte el cable de tierra verde (verde y amarillo) bajo el tornillo de tierra verde.
4. Conecte el cable blanco de la fuente de alimentación al cable blanco de la campana extractora con un conector de cable de tipo giratorio.
5. Conecte el cable negro de la fuente de alimentación al cable negro de la campana extractora con un conector de cable de tipo giratorio.
6. Vuelva a colocar la tapa de la caja de cableado y los filtros de grasa.
7. Compruebe el diagrama de cableado.



- A. Cable de alimentación de la casa.
- B. Cables negros.
- C. Conectores de cables homologados por UL.
- D. Cables blancos.
- E. El cable de tierra verde (o desnudo) de la fuente de alimentación doméstica debe conectarse al tornillo de tierra verde.
- F. Cable de alimentación de la campana extractora.

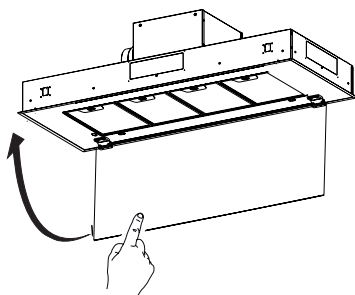
15

Sustituya los filtros de grasa.



16

Cierre el panel de la cubierta del filtro.



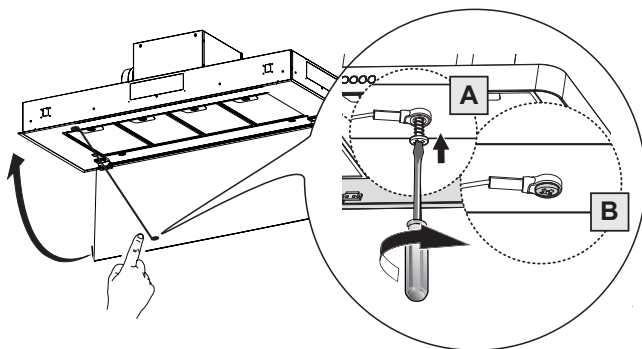
STRTIS36SSV - STRTIS48SSV

16

¡Advertencia! El panel de la cubierta está equipado con un sistema de seguridad.

Cierre el panel de la cubierta del filtro.

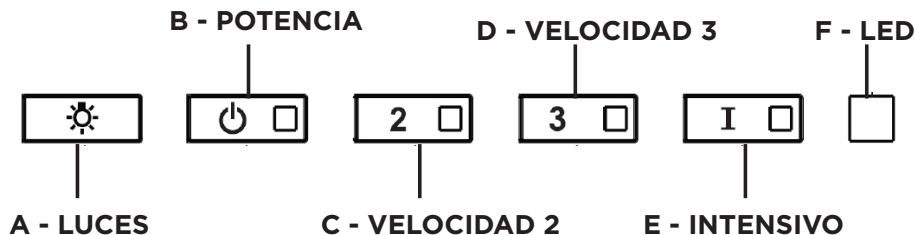
Fije el tornillo de cable de seguridad retirado anteriormente como se muestra.






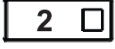


OPERACIÓN DE LOS CONTROLES

PARA OBTENER MEJORES RESULTADOS

Ponga en marcha la campana extractora varios minutos antes de cocinar para desarrollar un flujo de aire adecuado. Deje que la campana extractora funcione durante varios minutos después de terminar de cocinar para eliminar todo el humo y los olores de la cocina.



BOTÓN	FUNCIÓN	INDICADOR
	A - LUCES - Las luces tienen 3 niveles - alto, bajo, apagado - una pulsación rápida del botón de luz cambia los niveles. También es posible cambiar la "temperatura de color" o la "escala kelvin" en esta campana. Mediante una pulsación larga de 2 segundos, es posible variar el color de la luz entre "caliente" y "fría". Hay 5 opciones de color posibles.	
	B - POTENCIA: Una pulsación rápida enciende/apaga el motor a la velocidad uno	
	B - VELOCIDAD 2: Una pulsación rápida enciende el motor a la velocidad dos	
	Activar / Desactivar la alarma del filtro de carbón vegetal - Una pulsación larga con las luces encendidas y el motor apagado activará o desactivará la alarma de carbón vegetal.	Todos los LED parpadearán dos veces (alarma activada). Todos los LED se encienden durante 1 segundo (alarma desactivada)
	B - VELOCIDAD 3: Una pulsación rápida enciende el motor a la velocidad tres	
	Reinicio de la alarma del filtro para grasa y/o del filtro de carbón - Una pulsación larga con el motor y las luces apagadas para reiniciar las alarmas de lavado del filtro	Todos los LED parpadearán 3 veces

BOTÓN	FUNCIÓN	INDICADOR
	<p>E - NIVEL INTENSIVO 1: Una pulsación rápida hará funcionar el nivel de velocidad intensivo 1 durante 6 minutos.</p>	
 	<p>Alarma del filtro para grasa - Si los botones de velocidad dos e intensiva están encendidos, significa que la alarma de saturación del filtro para grasa está activada y los filtros para grasa deben ser lavados. La alarma se enciende después de 100 horas de funcionamiento.</p> <p>Alarma del filtro de carbón vegetal: si se activa la alarma, las luces de velocidad dos e intensiva parpadearán. Esto significa que los filtros de carbón vegetal deben ser reemplazados Y los filtros para grasa deben ser lavados. La alarma del filtro de carbón se enciende después de 200 horas de funcionamiento.</p>	 

INFORMACIÓN SOBRE WI-FI

Este dispositivo cumple con la parte 15 de las normas de la FCC. El funcionamiento está sujeto a las dos condiciones siguientes: (1) Este dispositivo no puede causar interferencias perjudiciales, y (2) este dispositivo debe aceptar cualquier interferencia recibida, incluidas las que puedan causar un funcionamiento no deseado.

Nota: Este equipo ha sido probado y se ha comprobado que cumple con los límites de un dispositivo digital de clase B, de acuerdo con la parte 15 de las normas de la FCC. Estos límites están diseñados para proporcionar una protección razonable contra las interferencias perjudiciales en una instalación residencial. Este equipo genera, utiliza y puede irradiar energía de radiofrecuencia y, si no se instala y utiliza según las instrucciones, puede causar interferencias perjudiciales en las comunicaciones por radio. Sin embargo, no se puede garantizar que no se produzcan interferencias en una instalación concreta.

Si este equipo causa interferencias perjudiciales en la recepción de radio o televisión, lo cual puede determinarse apagando y encendiendo el equipo, se invita al usuario a intentar corregir la interferencia tomando una o más de las siguientes medidas:

- Reoriente o reposicione la antena receptora.
- Aumente la separación entre el equipo y el receptor.
- Conecte el equipo a una toma de corriente de un circuito distinto al que está conectado el receptor.
- Consulte a su distribuidor o a un técnico de radio/televisión con experiencia para que le ayude.









Las modificaciones o alteraciones de este producto no autorizadas por Faber pueden invalidar la compatibilidad electromagnética (EMC) y la conformidad inalámbrica y denegar el permiso de uso del producto.

Este producto demostró el cumplimiento de la compatibilidad electromagnética en condiciones que incluían el uso de dispositivos periféricos compatibles y cables blindados entre los componentes del sistema. Es importante utilizar periféricos compatibles y cables apantallados entre los componentes del sistema para reducir la posibilidad de causar interferencias en radios, televisores y otros dispositivos electrónicos.

Exposición a la energía de radiofrecuencia. La potencia de salida radiada de este dispositivo cumple con los límites de exposición a la radiofrecuencia de la FCC y el IC. Este dispositivo debe utilizarse con una distancia mínima de separación de 20 cm (8 pulgadas) entre el equipo y el cuerpo de una persona.

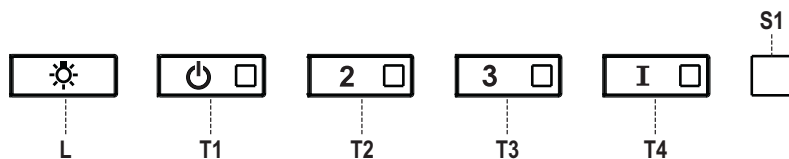
Información sobre los aparatos conectados
Contiene FCC ID:2AC7Z-ESPWROOM32D
Contiene IC:21098-ESPWROOM32D
Modelo: ESP32-WROOM-32D
CAN ICES-003(B)/NMB-003(B)

CONEXIONES SOBRE WI-FI

BOTÓN	FUNCIÓN	INDICADOR
	<p>Activar / Desactivar la función de conexión Wi-Fi.</p> <p>Una pulsación larga del botón de velocidad 2 con el motor y las luces apagadas para activar/desactivar el WI-FI.</p> <p>Nota: la función Wi-Fi se activa automáticamente cuando el usuario solicita el procedimiento de configuración Wi-Fi.</p>	<p>F - LED</p> <p> Conexión al router inalámbrico de casa en curso.</p> <p> Conexión Wi-Fi activada.</p>
	<p>Iniciar la configuración del Wi-fi</p> <p>Una pulsación larga con el motor y las luces apagadas para entrar o terminar el procedimiento de configuración del Wi-Fi. Antes de iniciar el procedimiento, utilice la aplicación Faber Cloud para registrarse en el sistema IOT Faber. A continuación, siga las instrucciones para añadir un nuevo dispositivo y registrar su router inalámbrico doméstico. Si el procedimiento no se completa con éxito en unos pocos minutos, detenga el proceso de configuración manteniendo el botón intensivo durante 3 segundos. Mantenga el botón de nuevo durante 3 segundos para iniciar el proceso. La campana detendrá el proceso de configuración del Wi-fi si no se completa con éxito en 15 minutos.</p>	<p> </p> <p>La instalación está en curso</p> <p> </p> <p>Cuando la configuración se ha terminado los LED permanecen encendidos durante 2 segundos.</p>

AJUSTE DE CFM < 295CFM

Para iniciar el proceso asegúrese de que las luces de la campana estén encendidas y el motor está apagado.



- 1) Mantenga pulsado **T1** durante 7 segundos hasta que todos los LED parpadeen.
- 2) Cuando el parpadeo se haya detenido, pulse **T1**.
- 3) **El botón T1** parpadeará una vez, luego pulse **el botón T1** de nuevo para confirmar su elección (pulsado antes de 10 segundos)
- 4) Los cuatro LED parpadearán de nuevo para confirmar que ha terminado el ajuste de CFM a menos de 295 CFM.
- 5) Coloque la etiqueta de menos de 295 CFM en el interior de la campana (detrás de los filtros para grasa) cerca de la etiqueta de clasificación para la inspección y en el frente de su manual de instalación/usuario.
- 6) Para confirmar su ajuste para la inspección, los botones **T1** y **T2** siempre harán funcionar la campana a la misma velocidad. La velocidad más alta (**T3**) y la velocidad intensiva (**T4**), también dejarán de funcionar.

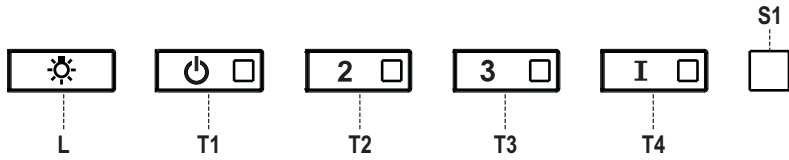
Nota: Los botones **T2** y **T3** funcionarán ahora al mismo nivel y la velocidad intensiva se desactivará.

Atención: Cuando se ha completado el ajuste de menos de 295 CFM, ya no es posible cambiar este ajuste al nivel original de CFM.

ATENCIÓN: Para un correcto funcionamiento de la APP FABER CLOUD, una vez finalizado este procedimiento, desconecte el enchufe de la red eléctrica y vuelva a conectarlo.

AJUSTE DE CFM < 395CFM

Para iniciar el proceso asegúrese de que las luces de la campana están encendidas y el motor está apagado.



- 1) Mantenga pulsado **T1** durante 7 segundos hasta que todos los LED parpadeen.
- 2) Cuando el parpadeo se haya detenido, pulse **T2**
- 3) **El botón T2** parpadeará una vez, luego pulse **el botón T2** de nuevo para confirmar su elección (pulsado antes de 10 segundos)
- 4) Los cuatro LED parpadearán de nuevo para confirmar que ha terminado el ajuste de CFM a menos de 395 CFM.
- 5) Coloque la etiqueta de menos de 395 CFM en el interior de la campana (detrás de los filtros de grasa) cerca de la etiqueta de clasificación para la inspección y en el frente de su manual de instalación/usuario.
- 6) Para confirmar su configuración para la inspección, los botones **T1** y **T2** siempre operarán la campana a la velocidad 1 o a la velocidad 2.

Nota: Los botones **T3** y **T4** funcionarán ahora al mismo nivel y la velocidad intensiva se desactivará.

Atención: Cuando se ha completado el ajuste de menos de 395 CFM, ya no es posible cambiar este ajuste al nivel original de CFM.

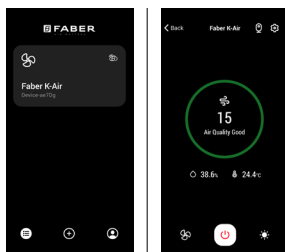
ATENCIÓN: Para un correcto funcionamiento de la APP FABER CLOUD, una vez finalizado este procedimiento, desconecte el enchufe de la red eléctrica y vuelva a conectarlo.

APLICACIÓN FABER CLOUD

Aplicación Faber Cloud

Su campana extractora es compatible con la aplicación Faber Cloud. Todo lo que necesita es una red Wi-Fi conectada a Internet que esté dentro del alcance de la campana extractora. Usted puede controlar todas las funciones de su campana extractora desde cualquier lugar utilizando un dispositivo móvil o su altavoz inteligente Amazon Alexa o Google Home. Cuando se conecta a su altavoz inteligente, puede controlar su campana con su voz.

La aplicación Faber Cloud está disponible en dispositivos iOS que utilicen iOS 11.0 o posterior o en dispositivos Android que utilicen la versión 8 o posterior de Android. Visite la App Store de Apple o la Play Store de Google para obtener más información. Su campana extractora tendrá una funcionalidad completa si no utiliza las funciones de Wi-fi o de la aplicación Faber CLOUD, ninguna de las cuales es necesaria. Por favor, revise la Guía de inicio de conexión rápida incluida para más información.



Icono	Función
	Página de inicio
	Agregar un nuevo dispositivo
	Gestión de perfiles de usuario
	Conectado a la red Wi-Fi de Faber
	Encendido/apagado de la campana
	Gestión del sistema de iluminación
	Gestión de la velocidad del motor
	Función intensiva
	Función de retardo
	Función 24H
	Gestión de la configuración de la aplicación

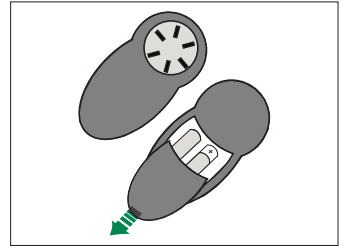
MANDO A DISTANCIA

El aparato se puede controlar mediante un mando a distancia alimentado por pilas alcalinas de carbono-zinc de 1,5 V del tipo estándar LR03-AAA (no incluidas).

- Las baterías usadas deben desecharse de la manera adecuada.

Precaución:

- No coloque el control remoto cerca de fuentes de calor.
- No deseche las pilas con los residuos normales, deben depositarse en los contenedores específicos.
- Asegúrese de que el compartimiento de la batería esté completamente atornillado y apretado.



LIMPIEZA DEL ACERO INOXIDABLE

Limpieza de las superficies exteriores:

Por favor, tenga en cuenta que los abrasivos y los agentes de fregado pueden rayar los acabados de la campana extractora y no deben utilizarse para limpiar las superficies acabadas.

Instrucciones para la limpieza del acabado de acero inoxidable:

Limpie las superficies exteriores con un limpiador de acero inoxidable disponible comercialmente.

CUIDADO DE LOS FILTROS

LIMPIEZA DE LOS FILTROS DE GRASA METÁLICOS

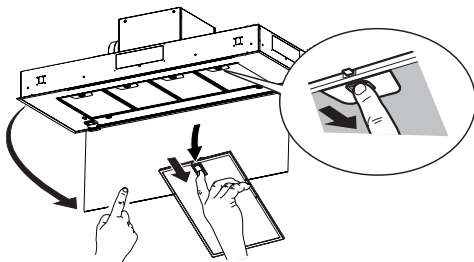
Estos pueden lavarse en el lavavajillas y deben limpiarse cada vez que se enciende el led **S1** o al menos una vez cada 2 meses de uso, o con mayor frecuencia si el uso es particularmente intenso.

Restablecer la alarma del filtro de grasa

- Apague las luces y la campana.
- Presione y mantenga presionado **3** durante al menos 3 segundos, hasta que el LED parpadee tres veces como confirmación.

Limpeza de los filtros

- Abra el Panel.
- Retire los filtros de a uno por vez, empujándolos hacia la parte posterior de la unidad y al mismo tiempo tirando hacia abajo.
- Lave los filtros sin doblarlos y déjelos secar completamente antes de volver a colocarlos. (Si la superficie del filtro cambia de color a medida que pasa el tiempo, esto no tendrá ningún efecto en la eficacia del filtro).
- Reemplace los filtros de grasa, teniendo cuidado de asegurarse de que la manija mire hacia adelante.
- Seque completamente los filtros antes de volver a instalarlos. De lo contrario, la grasa sobrante puede calentarse y gotear.
- Cierre el panel.



REEMPLAZO DEL FILTRO DE CARBÓN ACTIVADO

No pueden lavarse ni regenerarse, y deben cambiarse cuando el LED **S1** comienza a parpadear, o al menos una vez cada 4 meses. La señal de alarma, si se ha activado, solo aparece cuando se enciende el soplador de la campana.

Restablecer la señal de alarma

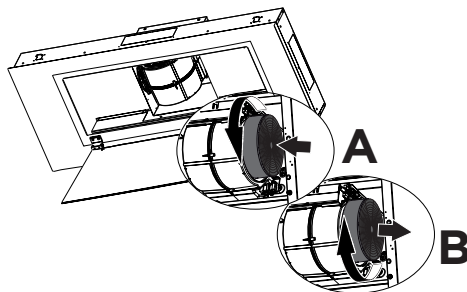
- Apague las luces y el soplador de la campana.
- Presione y mantenga presionado **3** durante al menos 3 segundos, hasta que el LED parpadee tres veces como confirmación.

Limpeza de los filtros

- Abra el Panel.
 - Retire el filtro de grasa metálico.
- Retire los filtros saturados de carbón activado, como se indica **(B)**.

Coloque los nuevos filtros, como se indica **(A)**.

- Reemplace los filtros de grasa metálicos.
- Cierre el panel.



Precaución: cuando se usa en modo de recirculación, para reducir el riesgo de incendio y descarga eléctrica, use solo el kit de conversión Modelo Requerido Accesorio de filtro de carbón activado - sku # - FILTER1 o FILTER1LL (se compra por separado).

LIMPIEZA DE SUPERFICIES EXTERIORES

Limpieza de superficies exteriores:

Tenga en cuenta que los abrasivos y los agentes de limpieza pueden rayar los acabados de la campana extractora y no deben usarse para limpiar superficies acabadas.

Instrucciones de limpieza del acabado de acero inoxidable:

Limpie las superficies exteriores con un limpiador para acero inoxidable disponible en el mercado.

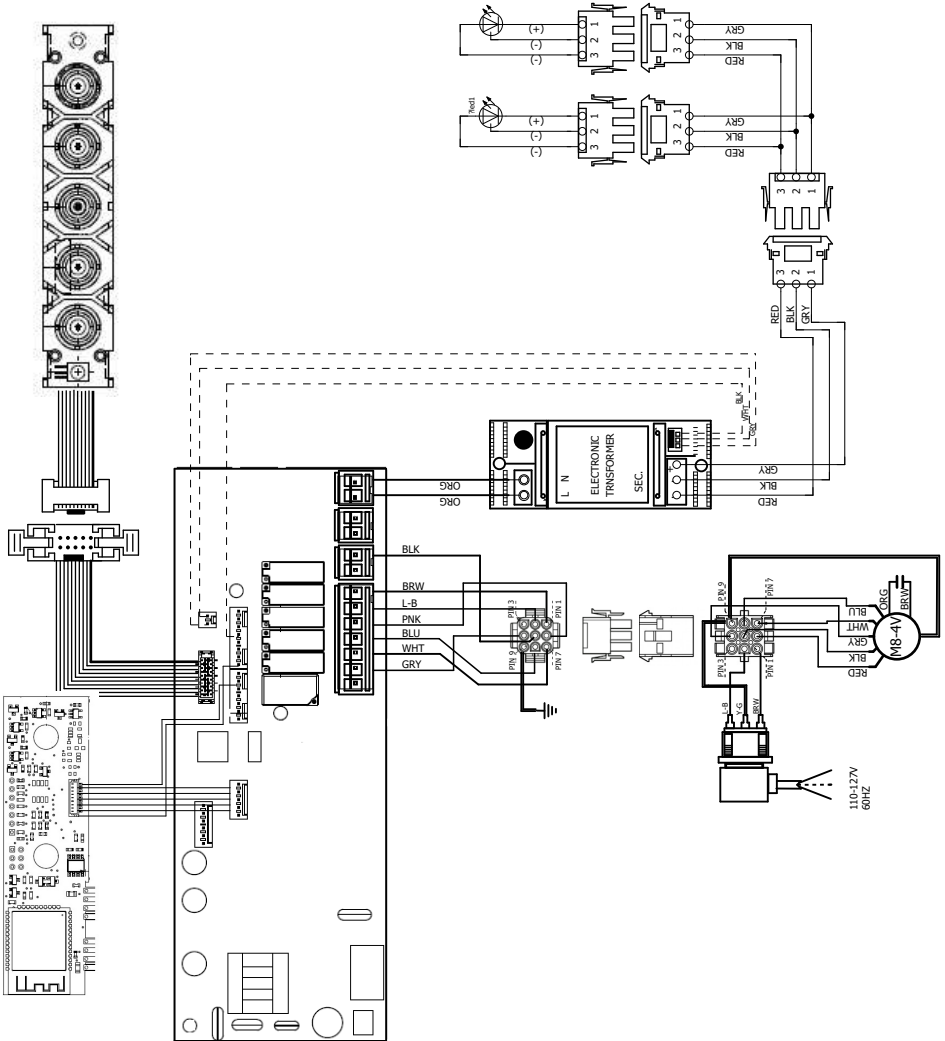
Instrucciones de limpieza del acabado gris pintado:

Limpie las superficies exteriores con agua jabonosa caliente.

SUSTITUCIÓN DE LA ILUMINACIÓN

Las luces LED deben ser sustituidas por el servicio técnico autorizado de Faber.

DIAGRAMA DE CABLEADO



GARANTÍA



La garantía de Franke Home Solutions para los productos de las marcas Franke y Faber entra en vigor el 1 de marzo de 2022

En Estados Unidos, Canadá y América Latina, Franke garantiza los productos de la marca Faber contra defectos de fabricación en materiales y mano de obra cuando se compran a un minorista autorizado de Franke o Faber de acuerdo con las garantías específicas del producto que se detallan en este documento (cada una, una "Garantía" y colectivamente, las "Garantías"). Los productos deben ser instalados correctamente, según las instrucciones de instalación de Franke, en su instalación original, y utilizados en aplicaciones normales de cocina residencial en interiores. Cualquier producto o componente que haya sido modificado o alterado de su condición original anulará la garantía. Las garantías de Franke para los productos de la marca Faber están limitadas al comprador original y no son transferibles. Estas garantías no incluyen los productos comprados a minoristas no autorizados, los productos obsoletos o descatalogados, ni los productos que eran modelos de exposición anteriores. Todos los problemas con los productos instalados se consideran reclamaciones de garantía y no están sujetos a la política de devoluciones. Franke se reserva el derecho de inspeccionar cualquier producto Franke / Faber reportado como defectuoso en virtud de una reclamación de garantía y la instalación original antes de proporcionar un producto y/o componente de reemplazo. Todas las decisiones son definitivas. En ningún caso la responsabilidad de Franke superará el importe del precio de compra original. Las garantías no cubren, y Franke no será responsable, de ningún daño a los productos o componentes derivado de un mal uso o abuso, daños accidentales, desgaste normal como rozaduras, arañazos o reducción/descoloramiento del acabado, instalación incorrecta, uso anormal, negligencia, daños causados por un mantenimiento o limpieza inadecuados. Los daños causados por impurezas, productos químicos corrosivos o actos fuera del control de Franke no están cubiertos por ninguna garantía. Las llamadas de servicio para corregir la instalación de una campana extractora, las instrucciones sobre el funcionamiento de una campana extractora, para sustituir o reparar los fusibles de la casa o para corregir el cableado o la fontanería de la casa no están cubiertas por ninguna Garantía. Las llamadas de servicio para reparar o sustituir las bombillas, fusibles o filtros de la campana extractora, así como los costes de estas piezas consumibles, también están excluidos de la cobertura de la garantía. La instalación que no esté de acuerdo con los códigos eléctricos o de fontanería o con la documentación de Franke / Faber no está cubierta por ninguna garantía. Los costes de las piezas de repuesto o de la mano de obra de reparación de las unidades utilizadas fuera de los Estados Unidos, Canadá o América Latina, incluidas las campanas extractoras de cocina Franke / Faber no aprobadas por la norma UL o C-UL, están excluidos de la cobertura de la garantía. Los gastos de viaje y transporte para el servicio en lugares remotos y los gastos de recogida y entrega no están cubiertos por ninguna Garantía. Las campanas extractoras Franke / Faber siempre deben ser revisadas en el hogar en su instalación original.

Las sustituciones de productos Franke / Faber no incluyen la responsabilidad por los retrasos del proyecto. No se garantiza que las sustituciones de los productos sean exactas. Si el producto original no está disponible en el momento de la reclamación de la garantía, a opción de Franke, los reemplazos del producto serán de tamaño, material y valor similares. Cualquier producto o componente que haya sido modificado o alterado de su condición original anulará la garantía.

Las garantías no permiten la recuperación de los daños incidentales o indirectos, como la pérdida de uso, el retraso, los daños a la propiedad u otros daños indirectos, y Franke no acepta ninguna responsabilidad por tales daños. Cada Garantía está limitada a las condiciones establecidas en el presente documento y al período de garantía aplicable especificado en el mismo y es exclusiva. A EXCEPCIÓN DE LAS GARANTÍAS ESTABLECIDAS EN ESTE DOCUMENTO, FRANKE NO OFRECE NINGUNA GARANTÍA CON RESPECTO A LOS PRODUCTOS, INCLUYENDO, PERO NO LIMITADO A, (1) CUALQUIER GARANTÍA DE COMERCIALIZACIÓN, (2) LA GARANTÍA DE IDONEIDAD PARA UN PROPÓSITO PARTICULAR, (3) LA GARANTÍA DE TÍTULO, O (4) LA GARANTÍA CONTRA LA VIOLACIÓN DE LOS DERECHOS DE PROPIEDAD INTELECTUAL DE UN TERCERO, YA SEA EXPRESA O IMPLÍCITA POR LA LEY, EL DESARROLLO DE LOS NEGOCIOS, EL DESARROLLO DE LA EJECUCIÓN, EL USO DEL COMERCIO O DE OTRA MANERA. AVISO LEGAL POR FAVOR

LEA ATENTAMENTE. Franke Kitchen Systems LLC le proporciona la información anterior como un servicio público a nuestros clientes. Al acceder y utilizar esta información, usted acepta lo siguiente y el cumplimiento de todas las leyes aplicables. Si no está de acuerdo con estas condiciones, no utilice esta información. Aunque intentamos mantener la información actualizada, pueden haberse producido cambios desde su creación. Póngase en contacto con su gerente regional o con el servicio de atención al cliente para verificar la información relativa a los programas de Franke Kitchen Systems LLC y su uso.

Garantía limitada de la campana extractora Franke / Faber:

Las campanas extractoras de Franke / Faber están garantizadas contra cualquier defecto de materiales o mano de obra para el comprador original durante un período de dos (2) años a partir de la fecha de compra original cuando se utilizan en aplicaciones residenciales estándar de interior. Esta garantía cubre la mano de obra y las piezas de recambio. Franke, a su elección, puede reparar o sustituir el producto o los componentes necesarios para restablecer el producto en buenas condiciones de funcionamiento.



Esta garantía sustituye a todas las demás garantías, expresas o implícitas. Ningún empleado, representante de ventas de campo o distribuidor está autorizado a dar ninguna garantía en nombre de Franke Kitchen Systems, LLC

Para reclamar la garantía de un producto instalado, póngase en contacto con Franke a través de la información de contacto proporcionada a continuación. Todos los reclamos de garantía deben incluir lo siguiente para su procesamiento:

1. Prueba de compra en un distribuidor autorizado de Franke o Faber
2. Nombre del comprador original, dirección (incluyendo ciudad, estado y código postal), dirección de correo electrónico y número de teléfono
3. Modelo y número de serie de Franke / Faber
4. Fecha de instalación
5. Descripción del defecto
6. Fotos del defecto

En América del Norte y América Latina:
Soluciones para el hogar Franke
A la atención de: Departamento de Garantía
800 Aviation Parkway
Smyrna, TN 37167
HS-Warranty.US@Franke.com

Persona jurídica:
Franke Kitchen Systems LLC

