

STO905U



Fully Integrated Horizontal 36" Dishwasher

- Accepts custom door panel
- Tripe effect hinges with anti-crush safety system
- Self-balancing door

- Hidden stainless steel electronic control panel

- Features:
 - 10 wash cycles including Crystal washing, Quick & Intense Wash and Dish warming
 - Aquatest
 - Quick wash option
 - Built-in water softener
 - Sanitation
 - Interior light
 - Stainless steel tub and filter
 - Concealed heating element
 - Intensive Wash Zone
 - Delay timer (up to 9 hours)
 - 5 temperatures: 100°F, 113°F, 131°F, 149°F, 158°F
 - Salt and Rinse Aid refill Indicators

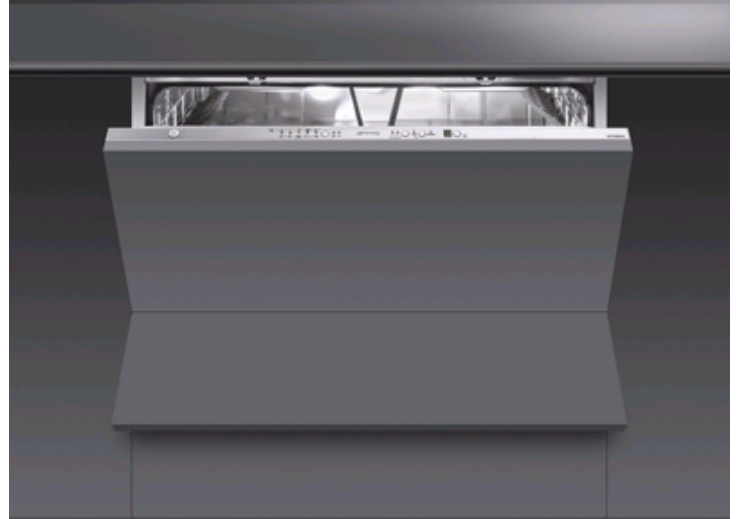
- Twin Orbital spray arms

- Complete Water Leak Protection System

- 12 place settings capacity
- Stainless steel baskets with anti-drip device
- Ergonomic access to baskets
- Accommodates plates of up to 12 ½" in diameter
- Cutlery basket that splits in 2 with lid that also serves as a divider
- 5 flip down tines
- 2 glass support racks
- 1 knife holder with space for several knives
- Easyglide basket movement

- Noise level 43dB

- Energy star rated

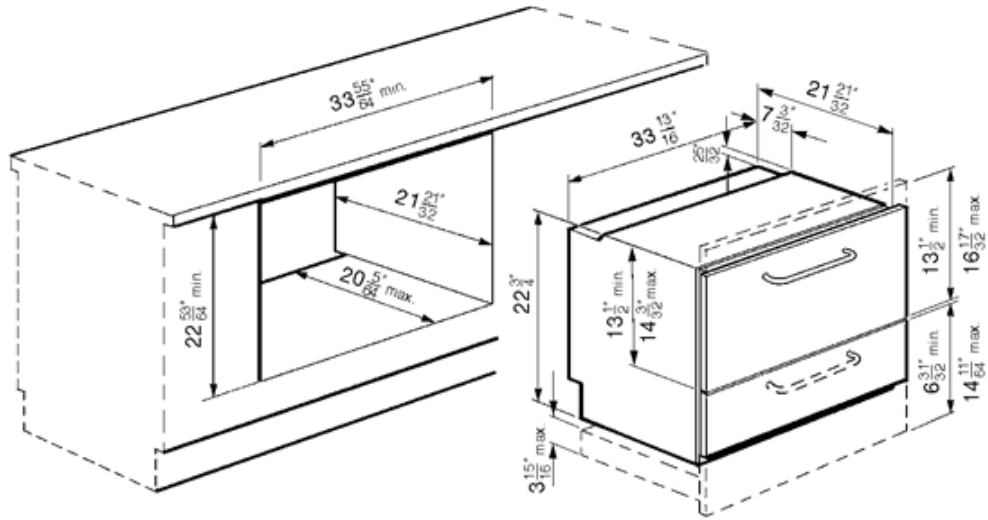


SMEG USA INC.
10 Rockefeller Plaza
7th floor Suite # 723
New York, NY 10020

STO905U



Fully Integrated Horizontal 36" Dishwasher



SMEG USA INC.
10 Rockefeller Plaza
7th floor Suite # 723
New York, NY 10020