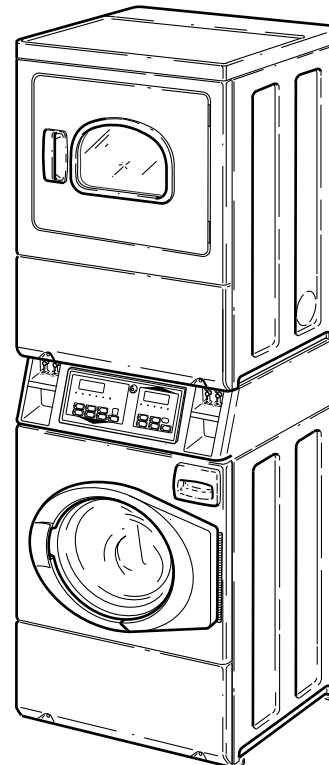


# Stacked Washer/Dryers

Electric and Gas Models



Installation/Operation



SWD455C\_SVG

## Original Instructions

Keep These Instructions for Future Reference.

**CAUTION:** Read the instructions before using the machine.

(If this machine changes ownership, this manual must accompany machine.)



[www.alliancelandry.com](http://www.alliancelandry.com)

Part No. 805420ENR4  
October 2017





# WARNING



## WARNING



Risk of fire. Highly flammable material.

W881



Read all instructions before using unit.



## WARNING

**FOR YOUR SAFETY**, the information in this manual must be followed to minimize the risk of fire or explosion or to prevent property damage, personal injury or death.

W033



## WARNING

- Do not store or use gasoline or other flammable vapors and liquids in the vicinity of this or any other appliance.
- **WHAT TO DO IF YOU SMELL GAS:**
  - Do not try to light any appliance.
  - Do not touch any electrical switch; do not use any phone in your building.
  - Clear the room, building or area of all occupants.
  - Immediately call your gas supplier from a neighbor's phone. Follow the gas supplier's instructions.
  - If you cannot reach your gas supplier, call the fire department.
- Installation and service must be performed by a qualified installer, service agency or the gas supplier.

W052

**IMPORTANT:** Purchaser must consult the local gas supplier for suggested instructions to be followed if the dryer user smells gas. The gas utility instructions plus the SAFETY and WARNING note directly above must be posted in a prominent location near the dryer for customer use.



## WARNING

- Installation of unit must be performed by a qualified installer.
- Install clothes dryer according to manufacturer's instructions and local codes.
- **DO NOT** install a clothes dryer with flexible plastic venting materials. If flexible metal (foil type) duct is installed, it must be of a specific type identified by the appliance manufacturer as suitable for use with clothes dryers. Refer to section on connecting exhaust system. Flexible venting materials are known to collapse, be easily crushed, and trap lint. These conditions will obstruct clothes dryer airflow and increase the risk of fire.

W729R1



## WARNING

To reduce the risk of severe injury or death, follow all installation instructions. Save these instructions.

W894



## WARNING

### FOR YOUR SAFETY

Do not store or use gasoline or other flammable vapors and liquids in the vicinity of this or any other appliance.

W053

This product uses FreeRTOS V7.2.0 ([www.freertos.org](http://www.freertos.org)).

The following information applies to the state of Massachusetts, USA.

- This appliance can only be installed by a Massachusetts licensed plumber or gas fitter.
- This appliance must be installed with a 36 inch [910 mm] long flexible gas connector.
- A “T-Handle” type gas shut-off valve must be installed in the gas supply line to this appliance.
- This appliance must not be installed in a bedroom or bathroom.

# Table of Contents

|  |           |
|--|-----------|
| <b>Safety Information</b> .....  | <b>7</b>  |
| Explanation of Safety Messages.....                                    | 7         |
| Important Safety Instructions.....                                     | 7         |
| Important Safety Instructions.....                                     | 8         |
| <br>   |           |
| <b>Dimensions</b> .....  | <b>10</b> |
| <br>   |           |
| <b>Installation</b> .....  | <b>14</b> |
| Before You Start.....  | 14        |
| Tools.....   | 14        |
| Order of Installation Steps.....                                       | 14        |
| Position Unit Near Installation Area.....                              | 14        |
| Remove Shipping Materials.....   | 14        |
| Connect Fill Hoses.....  | 15        |
| Water Supply Requirements.....   | 16        |
| Connecting Hoses.....  | 16        |
| Risers.....  | 16        |
| Non-Gravity Drain Models - Connect Drain Hose to Drain Receptacle..... | 17        |
| Standpipe Installation.....  | 17        |
| Gravity Drain Models - Connect Drain Outlet to Drain System.....       | 17        |
| Gas Dryers - Connect Gas Supply Pipe.....                              | 18        |
| Electric Dryer Only - Connect Electrical Plug.....                     | 20        |
| Earth/Ground Information.....  | 20        |
| Connecting Power Cord with Three-Wire Plug.....                        | 22        |
| Connecting Power Cord with Four-Wire Plug.....                         | 24        |
| Connect Dryer Exhaust System.....                                      | 26        |
| Exhaust Direction.....   | 27        |
| Exhaust System.....  | 27        |
| Multi-Dryer Installation Exhaust Requirements.....                     | 28        |
| Position and Level the Unit.....                                       | 30        |
| Wipe Out Inside of Washer and Dryer Drums.....                         | 31        |
| Plug In the Washer and Dryer.....                                      | 32        |
| Electric Dryer.....  | 32        |
| Gas Dryer.....   | 32        |
| Washer.....  | 33        |
| Check Installation.....  | 35        |
| Check Heat Source.....   | 35        |
| Electric Dryers.....   | 35        |
| Gas Dryers.....  | 35        |
| <br>   |           |
| <b>Operation</b> .....   | <b>37</b> |

© Copyright 2017, Alliance Laundry Systems LLC

All rights reserved. No part of the contents of this book may be reproduced or transmitted in any form or by any means without the expressed written consent of the publisher.

|   |           |
|---|-----------|
| Operation Instructions for Washers.....   | 37        |
| Load Laundry.....                         | 37        |
| Close Loading Door.....                   | 37        |
| Add Laundry Supplies.....                 | 37        |
| Determine Proper Controls.....            | 38        |
| Set Cycle.....                            | 38        |
| Set Wash Temperature.....                 | 38        |
| Set Soil Level.....                       | 38        |
| Insert Coins or Card.....                 | 38        |
| Start Washer.....                         | 39        |
| Indicator Lights.....                     | 39        |
| Operation Instructions for Dryers.....    | 40        |
| Clean Lint Filter.....                    | 40        |
| Load Laundry.....                         | 40        |
| Close Loading Door.....                   | 40        |
| Determine Proper Controls.....            | 40        |
| Set Fabric Selector.....                  | 40        |
| Insert Coins or Card.....                 | 41        |
| Start Dryer.....                          | 41        |
| Indicator Lights.....                     | 42        |
| <b>Maintenance.....</b>                   | <b>43</b> |
| User-Maintenance Instructions.....        | 43        |
| Lubrication.....                          | 43        |
| Cold Weather Care.....                    | 43        |
| Extended Non-Use.....                     | 43        |
| Care of Your Washer.....                  | 43        |
| Care of Your Dryer.....                   | 43        |
| Reinstallation of Shipping Materials..... | 44        |
| Motor Overload Protector.....             | 45        |
| For Energy Conservation.....              | 45        |
| <b>Troubleshooting.....</b>               | <b>46</b> |
| <b>Contact Information.....</b>           | <b>50</b> |
| <b>Installer Checklist.....</b>           | <b>51</b> |

# Safety Information

## Explanation of Safety Messages

Precautionary statements (“DANGER,” “WARNING,” and “CAUTION”), followed by specific instructions, are found in this manual and on machine decals. These precautions are intended for the personal safety of the operator, user, servicer, and those maintaining the machine.

|   |               |
|---|---------------|
|   | <b>DANGER</b> |
| Indicates an imminently hazardous situation that, if not avoided, will cause severe personal injury or death. |               |

|  |                |
|--|----------------|
|  | <b>WARNING</b> |
| Indicates a hazardous situation that, if not avoided, could cause severe personal injury or death. |                |

|   |                |
|---|----------------|
|   | <b>CAUTION</b> |
| Indicates a hazardous situation that, if not avoided, may cause minor or moderate personal injury or property damage. |                |

Additional precautionary statements (“IMPORTANT” and “NOTE”) are followed by specific instructions.

**IMPORTANT:** The word “IMPORTANT” is used to inform the reader of specific procedures where minor machine damage will occur if the procedure is not followed.

**NOTE:** The word “NOTE” is used to communicate installation, operation, maintenance or servicing information that is important but not hazard related.

## Important Safety Instructions

WASHER

Save These Instructions

|  |                |
|--|----------------|
|  | <b>WARNING</b> |
| To reduce the risk of fire, electric shock, serious injury or death to persons when using your washer, follow these basic precautions: |                |
| W023   |                |

- Read all instructions before using the washer.
- Install the washer according to the INSTALLATION INSTRUCTIONS. Refer to the EARTH/GROUND INSTRUCTIONS in the INSTALLATION manual for the proper earth/ground connection of the washer. All connections for water, drain, electrical power and earth/ground must comply with local codes and be made by licensed personnel when required. Do not do it yourself.
- Do not install or store the washer where it will be exposed to water and/or weather.
- Do not add the following substances or textiles containing traces of the following substances to the wash water: gasoline, kerosene, waxes, cooking oils, vegetable oils, machine oils, dry-cleaning solvents, flammable chemicals, thinners or other flammable or explosive substances. These substances give off vapors that could ignite, explode or cause the fabric to catch on fire by itself.
- Under certain conditions, hydrogen gas may be produced in a hot water system that has not been used for two weeks or more. HYDROGEN GAS IS EXPLOSIVE. If the hot water system has not been used for such a period, before using a washing machine or combination washer-dryer, turn on all hot water faucets and let the water flow from each for several minutes. This will release any accumulated hydrogen gas. THE GAS IS FLAMMABLE, DO NOT SMOKE OR USE AN OPEN FLAME DURING THIS TIME.
- To reduce the risk of an electric shock or fire, DO NOT use an extension cord or an adapter to connect the washer to the electrical power source.
- Do not allow children to play on or in the washer. Close supervision of children is necessary when the washer is used near children. This appliance is not intended for use by persons (including children) with reduced physical, sensory or mental capabilities, or lack of experience and knowledge, unless they have been given supervision or instruction concerning the use of the appliance by a person responsible for their safety. This is a safety rule for all appliances.
- Cleaning and user maintenance shall not be made by children without supervision.

- Children less than three years should be kept away unless continuously supervised.
- Do not reach into the washer if the washtub or agitator, if applicable, is moving.
- Never operate the washer with any guards, panels and/or parts removed or broken. DO NOT tamper with the controls or bypass any safety devices.
- Use your washer only for its intended purpose, washing clothes. Always follow the fabric care instructions supplied by the garment manufacturer.
- Always read and follow manufacturer's instructions on packages of laundry and cleaning aids. To reduce the risk of poisoning or chemical burns, keep them out of the reach of children at all times (preferably in a locked cabinet). Heed all warnings or precautions.
- Do not use fabric softeners or products to eliminate static unless recommended by the manufacturer of the fabric softener or product.
- Be sure water connections have a shut-off valve and that fill hose connections are tight. CLOSE the shut-off valves at the end of each wash day.
- Keep your washer in good condition. Bumping or dropping the washer can damage safety features. If this occurs, have your washer checked by a qualified service person.
- Do not repair or replace any part of the washer, or attempt any servicing unless specifically recommended in the user-maintenance instructions or in published user-repair instructions that you understand and have the skills to carry out. ALWAYS disconnect the washer from electrical supply before attempting any service.
- Disconnect the power cord by grasping the plug, not the cord. If the supply cord is damaged, it must be replaced by the manufacturer, its service agent or similarly qualified persons in order to avoid a hazard.
- Before the washer is removed from service or discarded, remove the lid or door to the washing compartment.
- Failure to install, maintain, and/or operate this washer according to the manufacturer's instructions may result in conditions which can produce bodily injury and/or property damage.


**NOTE: The WARNING and IMPORTANT SAFETY INSTRUCTIONS appearing in this manual are not meant to cover all possible conditions and situations that may occur. Observe and be aware of other labels and precautions that are located on the machine. They are intended to provide instruction for safe use of the machine. Common sense, caution and care must be exercised when installing, maintaining, or operating the washer.**

Always contact your dealer, distributor, service agent or the manufacturer about any problems or conditions you do not understand.

## Important Safety Instructions

### DRYER

Save These Instructions

|   |                |
|---|----------------|
|    | <b>WARNING</b> |
| <p><b>To reduce the risk of fire, electric shock, serious injury or death to persons when using your dryer, follow these basic precautions:</b></p> |                |
| <p>W130</p>   |                |

- Read all instructions before using the dryer.
- Install this dryer according to the INSTALLATION INSTRUCTIONS. Refer to the EARTH/GROUND INSTRUCTIONS in the INSTALLATION manual for the proper earth/ground connection of the dryer. All connections for electrical power, earth/ground and gas supply must comply with local codes and be made by licensed personnel when required. Do not do it yourself.
- Do not install or store the dryer where it will be exposed to water and/or weather.
- Do not dry articles that have been previously cleaned in, washed in, soaked in, or spotted with gasoline or machine oils, vegetable or cooking oils, cleaning waxes or chemicals, dry-cleaning solvents, thinner, anything containing chemicals such as in mops and cleaning cloths, or other flammable or explosive substances as they give off vapors that could ignite, explode or cause fabric to catch on fire by itself.
- Items that have been soiled with substances such as cooking oil, acetone, alcohol, petrol, kerosene, spot removers, turpentine, waxes and wax removers, should be washed in hot water with an extra amount of detergent before being dried in the tumble dryer.
- To reduce the risk of fire, DO NOT DRY plastics or articles containing foam or latex rubber or similarly textured rubber-like materials, such as shower caps, water proof textiles, rubber-backed articles, and clothes or pillows filled with foam rubber pads.
- Do not tumble fiberglass curtains and draperies unless the label says it can be done. If they are dried, wipe out the cylinder with a damp cloth to remove particles of fiberglass.
- Do not allow children to play on or in the dryer. Close supervision of children is necessary when the dryer is used near children. This appliance is not intended for use by persons (including children) with reduced physical, sensory or mental capabilities, or lack of experience and knowledge, unless they have been given supervision or instruction concerning the use of the appliance by a person responsible for their safety. This is a safety rule for all appliances.
- Cleaning and user maintenance shall not be made by children without supervision.
- Children less than three years should be kept away unless continuously supervised.

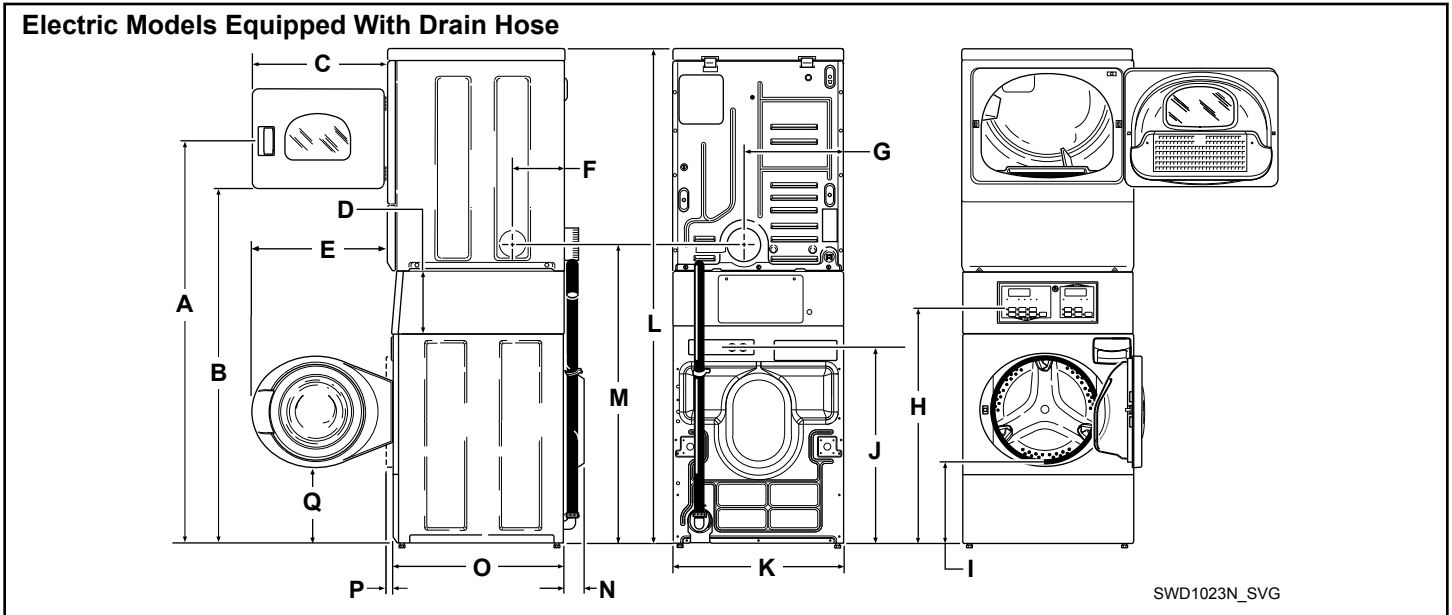


- Do not reach into the dryer if the cylinder is revolving.
- Use the dryer only for its intended purpose, drying clothes. ALWAYS follow the fabric care instructions supplied by the garment manufacturer and only use the dryer drum to dry textiles that have been washed in water.
- Always read and follow manufacturer's instructions on packages of laundry and cleaning aids. Heed all warnings or precautions. To reduce the risk of poisoning or chemical burns, keep them out of reach of children at all times (preferably in a locked cabinet).
- Remove laundry immediately after the dryer stops.
- DO NOT operate the dryer if it is smoking, grinding or has missing or broken parts or removed guards and/or panels. DO NOT tamper with the controls or bypass any safety devices.
- DO NOT operate individual units if they have been separated from a stack unit.
- Dryer will not operate with the loading door open. DO NOT bypass the door safety switch by permitting the dryer to operate with the door open. The dryer will stop tumbling when the door is opened. Do not use the dryer if it does not stop tumbling when the door is opened or starts tumbling without pressing the START mechanism. Remove the dryer from use and call the service person.
- ALWAYS clean the lint filter after every load. A layer of lint in the filter reduces drying efficiency and prolongs drying time. Keep area around the exhaust opening and adjacent surrounding area free from the accumulation of lint, dust and dirt. The interior of the dryer and the exhaust duct should be cleaned periodically by qualified service personnel.
- Do not repair or replace any part of the dryer, or attempt any servicing unless specifically recommended in the user-maintenance instructions or in published user-repair instructions that you understand and have the skills to carry out. ALWAYS disconnect the electrical power to the dryer before attempting service. Disconnect the power cord by grasping the plug, not the cord.
- Electric Models: If supply cord is damaged, it must be replaced by a special cord or assembly available from the manufacturer or its service agent.
- Gas Models: If supply cord is damaged, it must be replaced by the manufacturer, its service agent or similarly qualified persons in order to avoid a hazard.
- Before the dryer is removed from service or discarded, remove the door to the drying compartment.
- Failure to install, maintain, and/or operate this machine according to the manufacturer's instructions may result in conditions which can produce bodily injury and/or property damage.

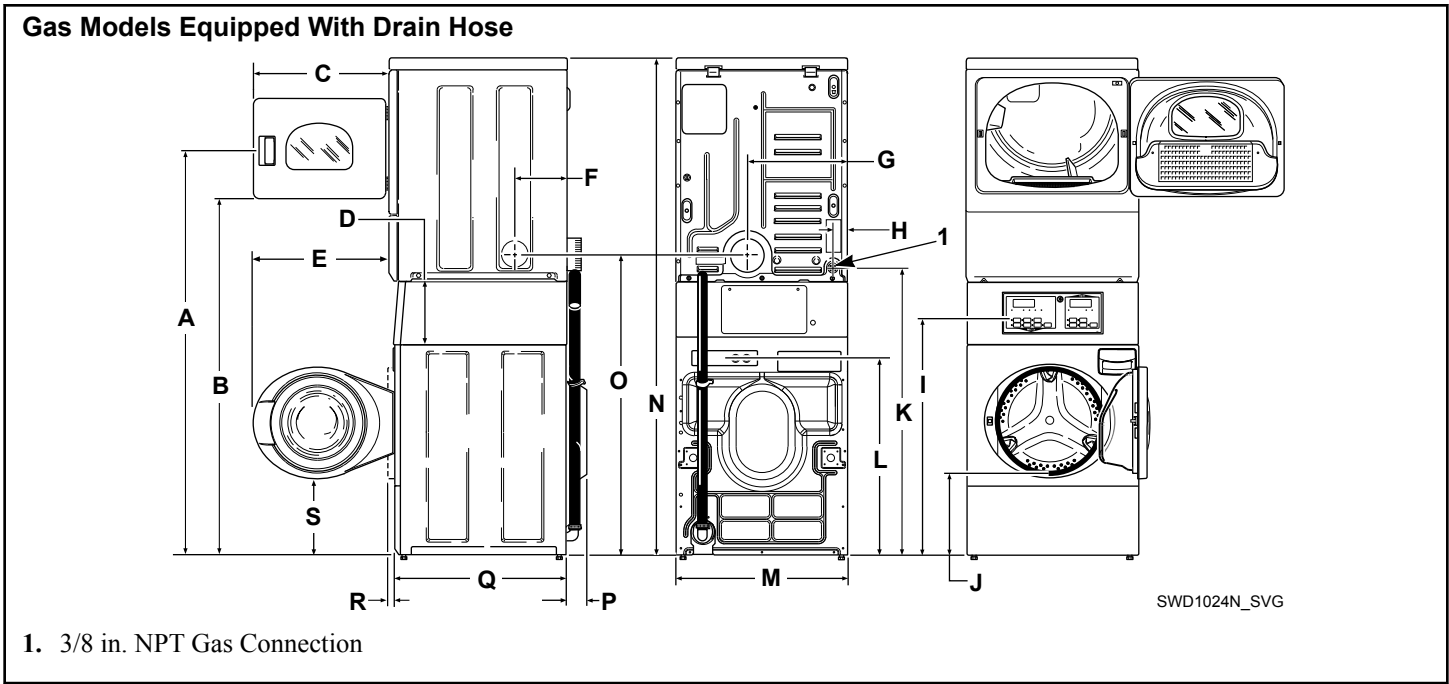
**NOTE: The WARNING and IMPORTANT SAFETY INSTRUCTIONS appearing in this manual are not meant to cover all possible conditions and situations that may occur. Observe and be aware of other labels and precautions that are located on the machine. They are intended to provide instruction for safe use of the machine. Common sense, caution and care must be exercised when installing, maintaining, or operating the dryer.**

Always contact your dealer, distributor, service agent or the manufacturer about any problems or conditions you do not understand.

# Dimensions

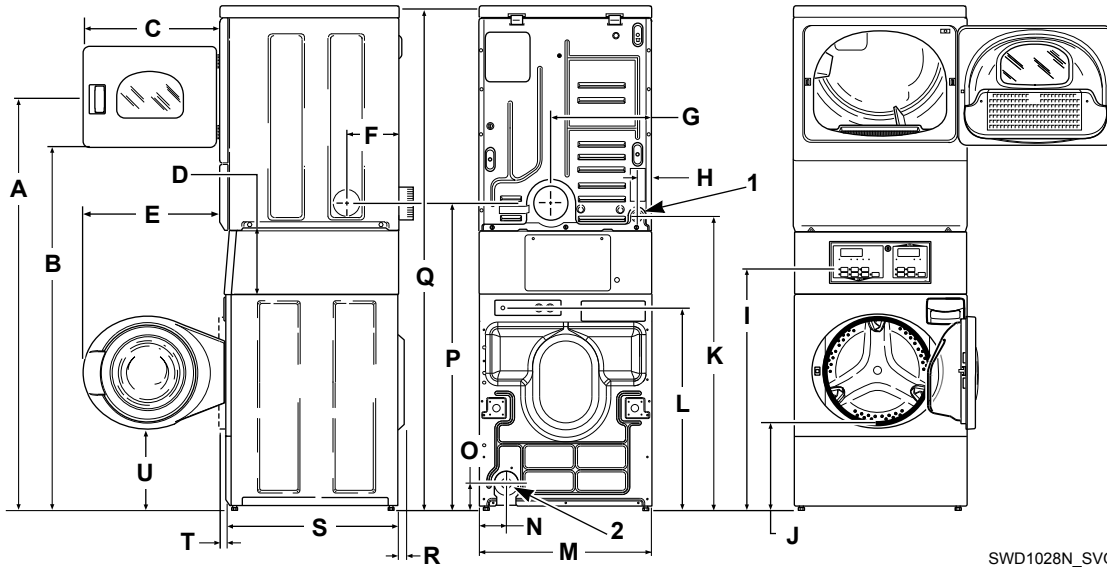


|  |   |
|--|---|
| A  | * 66.06 in. [1678 mm]   |
| B  | * 56.97 in. [1447 mm]   |
| C  | 23.5 in. [597 mm]   |
| D  | 8.375 in. [213 mm]  |
| E  | 24 in. [610 mm]   |
| F  | 8 in. [203 mm]  |
| G  | 15.4 in. [391 mm]   |
| H  | * 36.9 in. [938 mm]   |
| I **   | * 14.6 in. [371 mm]   |
| J  | * 32 in. [813 mm]   |
| K  | 26.875 in. [683 mm]   |
| L  | * 78.17 in. [1986 mm]   |
| M  | * 46.62 in. [1184 mm]   |
| N  | 2.04 in. [52 mm]  |
| O  | 27.73 in. [704 mm]  |
| P (with door closed)   | 1.5 in. [38 mm]   |
| Q  | * 13.1 in. [333 mm]   |
| <b>NOTE: Exhaust openings are 4 inch [102 mm] metal ducting.</b> | * With leveling legs turned into base.<br>** For ADA compliance turn legs out from base 0.5 inches. |



|  |   |
|--|---|
| A  | *66.06 in. [1678 mm]  |
| B  | *56.97 in. [1447 mm]  |
| C  | 23.5 in. [597 mm]   |
| D  | 8.375 in. [213 mm]  |
| E  | 24 in. [610 mm]   |
| F  | 8 in. [203 mm]  |
| G  | 15.4 in. [391 mm]   |
| H  | 2.3 in. [59 mm]   |
| I  | *36.9 in. [938 mm]  |
| J **   | *14.6 in. [371 mm]  |
| K  | *44.87 in. [1140 mm]  |
| L  | *32 in. [813 mm]  |
| M  | 26.875 in. [683 mm]   |
| N  | *78.17 in. [1986 mm]  |
| O  | *46.62 in. [1184 mm]  |
| P  | 2.04 in. [52 mm]  |
| Q  | 27.73 in. [704 mm]  |
| R (with door closed)   | 1.5 in. [38 mm]   |
| S  | *13.1 in. [333 mm]  |
| <b>NOTE: Exhaust openings are 4 inch [102 mm] metal ducting.</b> | * With leveling legs turned into base.<br>** For ADA compliance turn legs out from base 0.5 inches. |

**Gas Models Equipped With Gravity Drain**



SWD1028N\_SVG

- 1. 3/8 in. NPT Gas Connection
- 2. 1.5 in. [38 mm] Inside Diameter; 1.86 in. [47 mm] Outside Diameter

|      |                      |
|------|----------------------|
| A    | *66.06 in. [1678 mm] |
| B    | *56.97 in. [1447 mm] |
| C    | 23.5 in. [597 mm]    |
| D    | 8.375 in. [213 mm]   |
| E    | 24 in. [610 mm]      |
| F    | 8 in. [203 mm]       |
| G    | 15.4 in. [391 mm]    |
| H    | 2.3 in. [60 mm]      |
| I    | *36.9 in. [938 mm]   |
| J ** | *14.6 in. [371 mm]   |
| K    | *44.87 in. [1140 mm] |
| L    | *32 in. [813 mm]     |
| M    | 26.875 in. [683 mm]  |
| N    | 4.2 in. [107 mm]     |
| O    | *4.1 in. [104 mm]    |
| P    | *46.62 in. [1184 mm] |
| Q    | *78.17 in. [1986 mm] |
| R    | 2.04 in. [52 mm]     |
| S    | 27.73 in. [704 mm]   |

*Table continues...*

|  |   |
|--|---|
| T (with door closed)   | 1.5 in. [38 mm]   |
| U  | *13.1 in. [333 mm]  |
| <b>NOTE: Exhaust openings are 4 inch [102 mm] metal ducting.</b> | * With leveling legs turned into base.<br>** For ADA compliance turn legs out from base 0.5 inches. |

**NOTE: Gas models cannot be vented out left side of cabinet because of burner housing.**

**IMPORTANT: The dryer should have sufficient clearance around it for needed ventilation and for the ease of installation and servicing. For maximum drying performance, we recommend that more clearance be allowed around the dryer than the clearances that are listed throughout this manual.**

# Installation

## Before You Start

### Tools

For most installations, the basic tools you will need are:

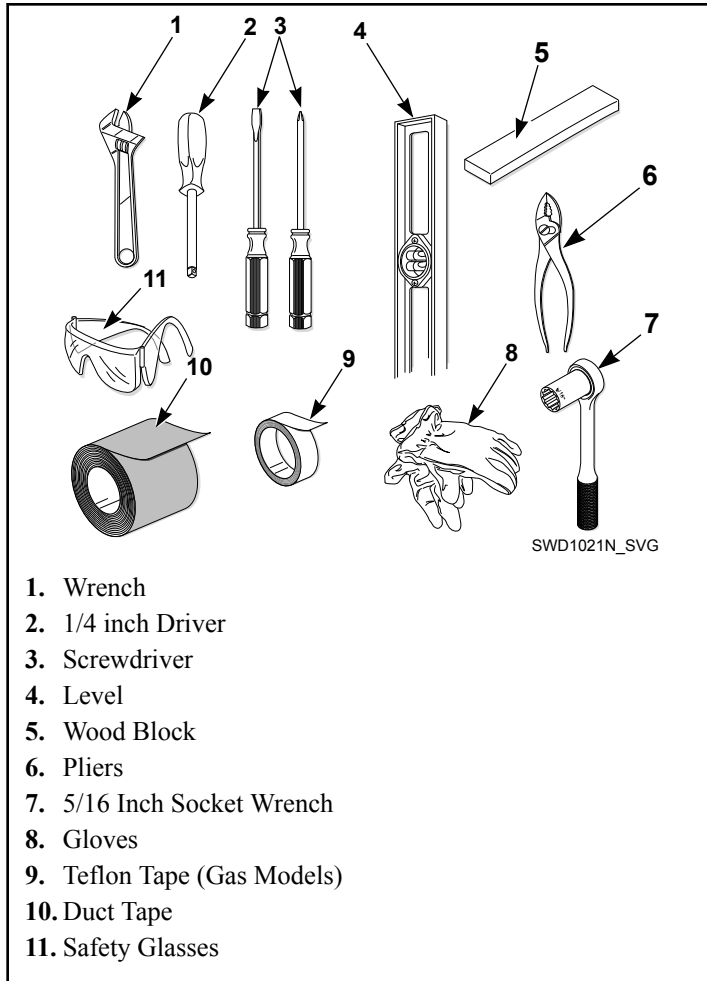


Figure 1

**NOTE:** An 8 in. [20.32 cm] coin drawer is required for coin operated models.

**NOTE:** If the unit is delivered on a cold day (below freezing), or is stored in an unheated room or area during the cold months, do not attempt to operate it until the unit has had a chance to warm up.

**NOTE:** Some moisture in the wash drum is normal. Water is used during testing at the manufacturer.

**NOTE:** This appliance is suitable for use in countries having a warm, damp climate.



## WARNING

**Any disassembly requiring the use of tools must be performed by a suitably qualified service person.**

W299

### Order of Installation Steps

The proper order of steps must be followed to ensure correct installation. Refer to the list below when installing your unit.

1. Position unit near area of installation.
2. Remove the shipping materials.
3. Connect the fill hoses.
4. For non-gravity drain models, connect the drain hose to the drain receptacle.
5. For gravity drain models, connect the drain outlet to the drain system.
6. For gas models only, connect the gas supply pipe. Check for gas leaks.
7. For electric models only, connect the electrical plug.
8. Connect dryer to exhaust system.
9. Position and level the unit.
10. Wipe out inside of washer and dryer drums.
11. Plug in the washer and dryer.
12. Recheck steps.
13. Start and run the dryer in a heat setting to verify dryer is heating.

### Position Unit Near Installation Area

Move unit so that it is within 4 feet [1.2 meters] of the desired area of installation.



## CAUTION

**Washer and dryer are not designed to be operated as separated, side-by-side units.**

W187

**NOTE:** For best performance and to minimize vibration or movement, install washer on a solid, sturdy and level floor. Some floors may need to be reinforced, especially on a second floor or over a basement. Do not install the washer on carpeting, soft tile or other weakly supported structures.

## Remove Shipping Materials

1. Remove two screws at bottom of front access panel. Rotate bottom of panel out and remove panel.

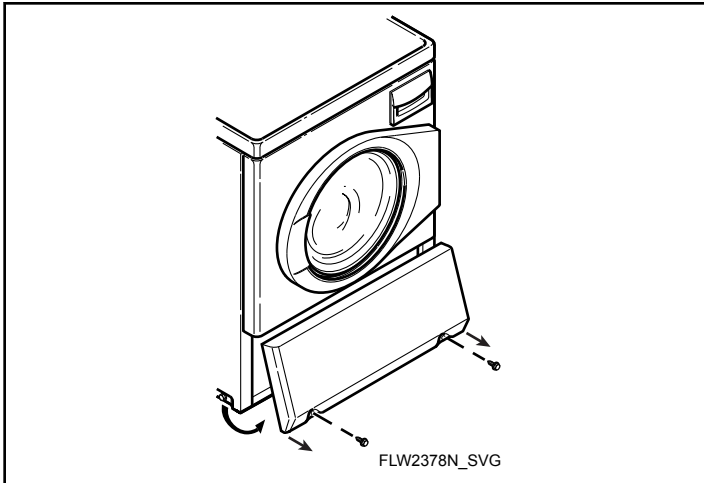


Figure 2

2. Remove two 9/16 inch bolts and washers holding shipping brace to weight.
3. Remove two 9/16 inch bolts and washers holding shipping brace to washer base and remove brace.

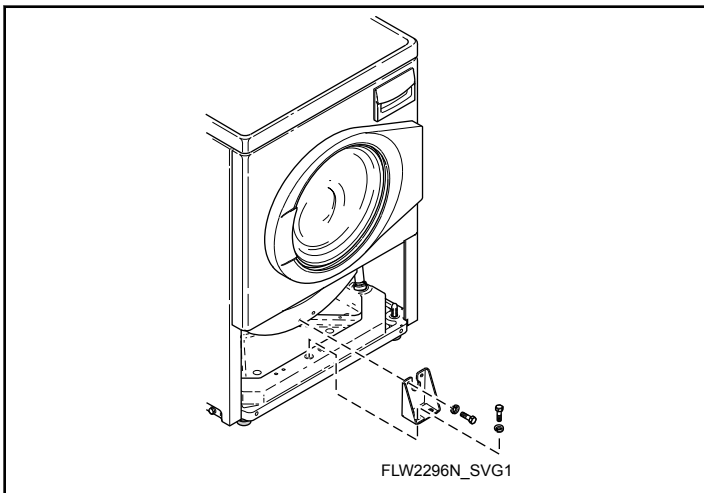


Figure 3

4. Go to rear of washer and pull label from rear shipping bolts.
5. Remove two 9/16 inch bolts. Unscrew each bolt while applying forward pressure just until bolt stops unthreading. Work each bolt and spacer out by hand using a circular motion.

**NOTE: Avoid backing bolts out completely or spacers might fall into cabinet.**

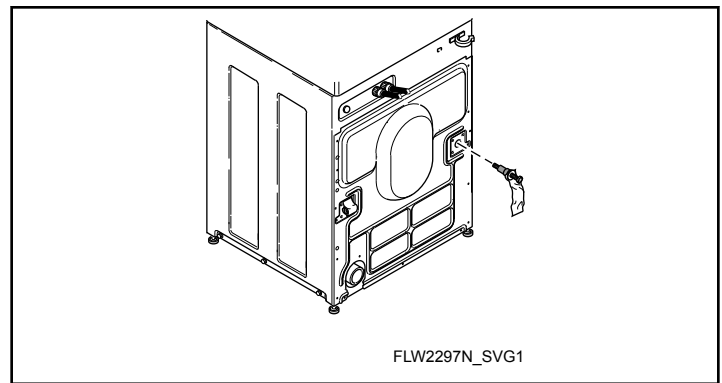


Figure 4

6. Insert two plugs included in accessories bag into rear shipping bolt holes.

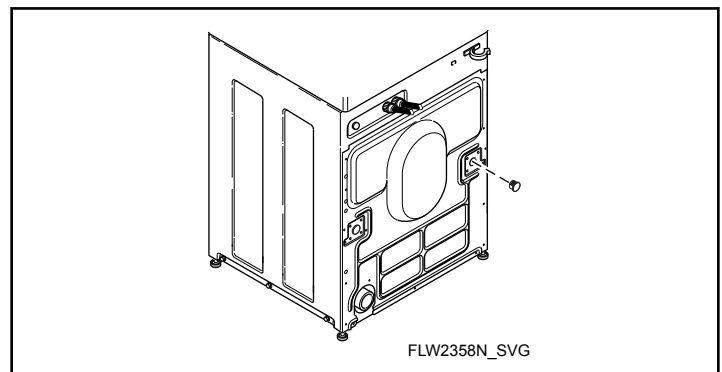


Figure 5

7. Replace front access panel.
8. Save all shipping materials. They must be reinstalled any time washer is moved more than four feet.

**IMPORTANT: Do not lift or transport unit from front or without shipping materials installed. Refer to the Maintenance section for proper instructions on reinstalling the shipping materials.**

## Connect Fill Hoses



### WARNING

**Under certain conditions, hydrogen gas may be produced in a hot water system that has not been used for two weeks or more. HYDROGEN GAS IS EXPLOSIVE. If the hot water system has not been used for such a period and before using the washer, turn on all hot water faucets and let the water flow from each for several minutes. This will release any accumulated hydrogen gas. The gas is flammable. Do not smoke or use an open flame during this time.**


W029

## Water Supply Requirements

Water supply faucets must fit standard 3/4 inch [19 mm] female garden hose couplings. **DO NOT USE SLIP-ON OR CLAMP-ON CONNECTIONS.**

**NOTE: Water supply faucets should be readily accessible to permit turning them off when washer is not being used.**

Recommended cold water temperature is 50° to 75° Fahrenheit [10° to 24° Celsius]. Recommended maximum hot water temperature is 125° Fahrenheit [51° Celsius]. Warm water is a mixture of hot and cold water. Warm water temperature is dependent upon the water temperature and the pressure of both the hot and cold water supply lines.

|  |                  |
|--|------------------|
|   | <h2>WARNING</h2> |
| <b>To prevent personal injury, avoid contact with inlet water temperatures higher than 125° Fahrenheit [51° Celsius] and hot surfaces.</b> |                  |
| W748   |                  |

Maximum flow rate for all water temperatures is 2.5 gallons per minute [9.46 liters per minute] ± 15%.

Water pressure must be a minimum of 20 to a maximum of 120 pounds per square inch [minimum of 138 to a maximum of 827 kPa] static pressure measured at the faucet.

**NOTE: Water pressure under 20 pounds per square inch [138 kPa] will cause an extended fill time in the washer and may not properly flush out the detergent dispenser.**

Turn on the water supply faucets and flush the lines for approximately two minutes to remove any foreign materials that could clog the screens in the water mixing valve. This is especially important when installing your washer in a newly constructed or renovated building. Build-up may have occurred during construction.

## Connecting Hoses

1. Insert rubber washers and filter screens (from accessories bag) in water fill hose couplings (two hoses supplied with washer). The filter screen must be facing outward.
2. Connect fill hose couplings with filter screens to water supply faucets.
3. Connect the other hose couplings to the hot and cold valve connections at the rear of the washer.
4. Thread hose couplings onto valve connections finger tight. Then turn 1/4 turn with pliers.

**IMPORTANT: DO NOT cross thread or overtighten couplings. This will cause them to leak.**

5. Turn water on and check for leaks.

6. If leaks are found, retighten the hose couplings.
7. Continue tightening and rechecking until no leaks are found.

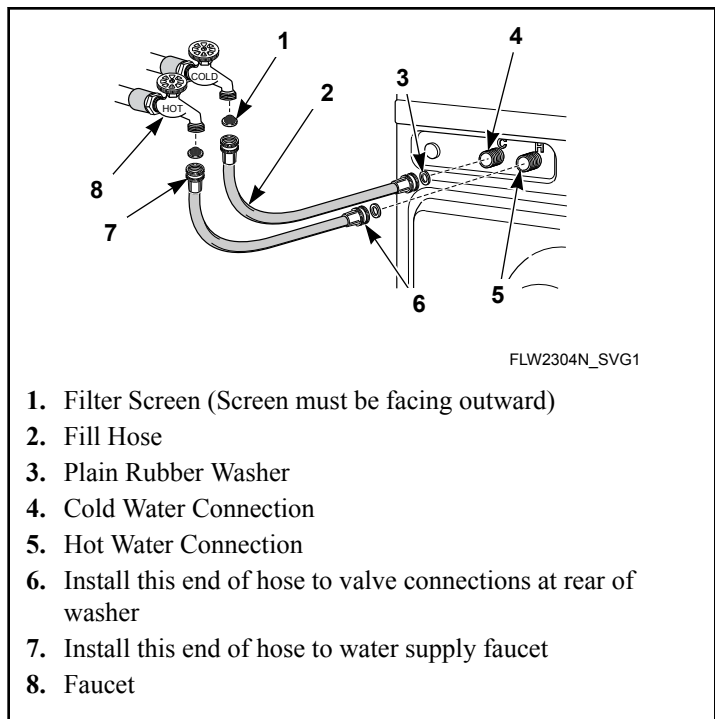


Figure 6

### IMPORTANT:

**Hoses and other rubber parts deteriorate after extended use. Hoses may develop cracks, blisters or material wear from the temperature and constant high pressure they are subjected to.**

**All hoses should be checked on a monthly basis for any visible signs of deterioration. Any hose showing the signs of deterioration listed above should be replaced immediately. All hoses should be replaced every five years.**

**IMPORTANT: Turn off water supply faucets after check-out and demonstration. Owner should turn off water supply whenever there will be an extended period of non-use.**

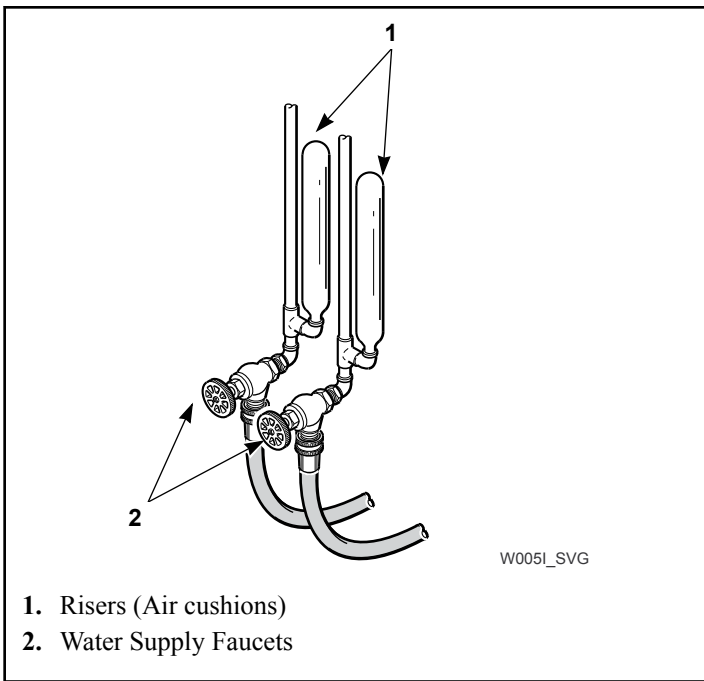
**NOTE: Longer fill hoses are available (as optional equipment at extra cost) if the hoses (supplied with the washer) are not long enough for the installation. Order hoses as follows:**

- No. 20617 Fill Hose: 8 feet [2.44 m]
- No. 20618 Fill Hose: 10 feet [3.05 m]

## Risers

Risers (or air cushions) may have to be installed if the pipes knock or pound when flow of water stops. The risers are more efficient when installed as close as possible to the water supply faucets. Refer to *Figure 7*.





- 1. Risers (Air cushions)
- 2. Water Supply Faucets

Figure 7

### Non-Gravity Drain Models - Connect Drain Hose to Drain Receptacle

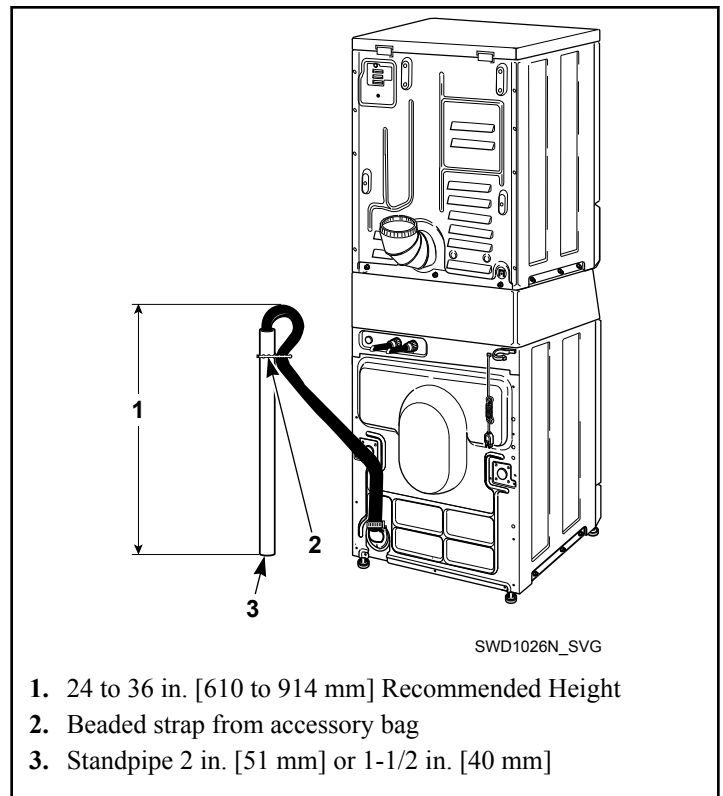
Remove the drain hose from its shipping position on the rear of the washer by removing the shipping tape.

**IMPORTANT: Drain receptacle must be capable of handling a minimum of 1-3/8 inch [35 mm] outside diameter drain hose.**

| Drain Flow Rate |   |
|-----------------|---|
| Drain Height    | Flow Rate<br>gallons per minute [liters per minute] |
| 3 ft. [0.9 m]   | 8.6 [32.7]  |
| 5 ft. [1.5 m]   | 6.8 [25.9]  |
| 6 ft. [1.8 m]   | 6.0 [22.7]  |
| 7 ft. [2.1 m]   | 5.1 [19.5]  |
| 8 ft. [2.4 m]   | 4.0 [15.2]  |

### Standpipe Installation

1. Place the drain hose into the standpipe.
2. Remove the beaded tie-down strap from accessories bag and place around standpipe and drain hose and tighten strap to hold hose to standpipe. Refer to *Figure 8*. This will prevent the drain hose from dislodging from drain receptacle during use.



- 1. 24 to 36 in. [610 to 914 mm] Recommended Height
- 2. Beaded strap from accessory bag
- 3. Standpipe 2 in. [51 mm] or 1-1/2 in. [40 mm]

Figure 8

### Gravity Drain Models - Connect Drain Outlet to Drain System

Maximum flow rate is 24 gallons/minute [90.8 liters/minute]. Flow rates will vary with load type.

1. Remove drain fitting (4 inches [102 mm] long) and hose clamp from accessories bag. Insert drain fitting into drain outlet hose. Clamp hose and fitting.
2. Connect the drain fitting to a vented drain system using a flexible connection (obtain locally). Inside diameter of fitting is 1.53 in. [39 mm] and outside diameter is 1.66 in. [42 mm].
3. The drain system must be vented to prevent an air lock or siphoning.

**IMPORTANT: Increasing the drain hose length, installing elbows, or causing bends will decrease drain flow rates and increase drain times, impairing machine performance.**

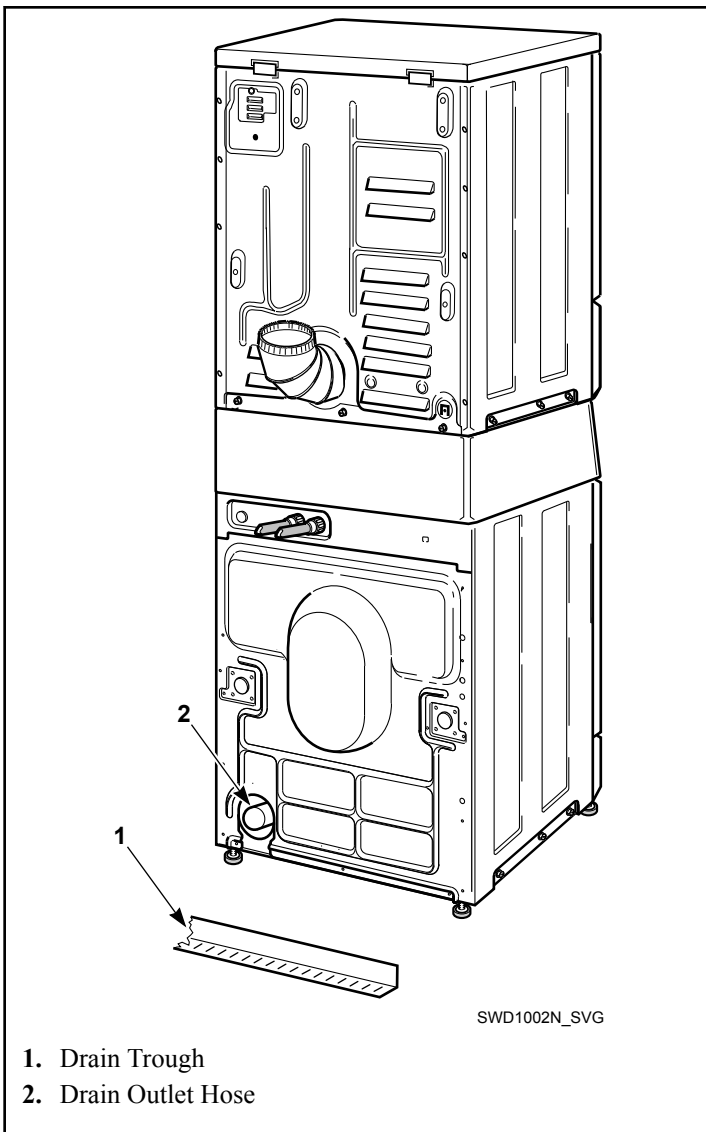


Figure 9

## Gas Dryers - Connect Gas Supply Pipe



### WARNING

To reduce the risk of gas leaks, fire or explosion:

- The dryer must be connected to the type of gas as shown on nameplate located in the door recess.
- Use a new flexible stainless steel connector.
- Use pipe joint compound insoluble in L.P. (Liquefied Petroleum) Gas, or Teflon tape, on all pipe threads.
- Purge air and sediment from gas supply line before connecting it to the dryer. Before tightening the connection, purge remaining air from gas line to dryer until odor of gas is detected. This step is required to prevent gas valve contamination.
- Do not use an open flame to check for gas leaks. Use a non-corrosive leak detection fluid.
- Any disassembly requiring the use of tools must be performed by a suitably qualified service person.

W316

1. Make certain your dryer is equipped for use with the type of gas in your laundry room. Dryer is equipped at the factory for Natural Gas with a 3/8 inch NPT gas connection.

**NOTE: The gas service to a gas dryer must conform with the local codes and ordinances, or in the absence of local codes and ordinances, with the latest edition of the National Fuel Gas Code ANSI Z223.1/ NFPA 54 or the CAN/CSA-B149.1 Natural Gas and Propane Installation Code.**

Natural Gas, 1000 Btu/ft<sup>3</sup> [37.3 MJ/m<sup>3</sup>], service must be supplied at minimum 5.0 inch water column pressure to maximum 10.5 inch water column pressure.

For proper operation at altitudes above 2000 feet [610 m] the natural gas valve spud orifice size must be reduced to ensure complete combustion. Refer to *Table 1*.

| Natural Gas Altitude Adjustments |              |               |             |
|----------------------------------|--------------|---------------|-------------|
| Altitude                         | Orifice Size |               | Part Number |
|                                  | feet [m]     | # inches [mm] |             |
| 2,000 [610]                      | 41           | 0.0960 [2.44] | D503776     |

Table 1 continues...

| Natural Gas Altitude Adjustments |              |               |             |
|----------------------------------|--------------|---------------|-------------|
| Altitude                         | Orifice Size |               | Part Number |
|                                  | feet [m]     | #             |             |
| 3,000 [915]                      | 42           | 0.0935 [2.37] | D503777     |
| 5,500 [1,680]                    | 43           | 0.0890 [2.26] | D503778     |
| 7,000 [2,135]                    | 44           | 0.0860 [2.18] | 58719       |
| 9,000 [2,745]                    | 45           | 0.0820 [2.08] | D503779     |
| 10,500 [3,200]                   | 46           | 0.0810 [2.06] | D503780     |

Table 1

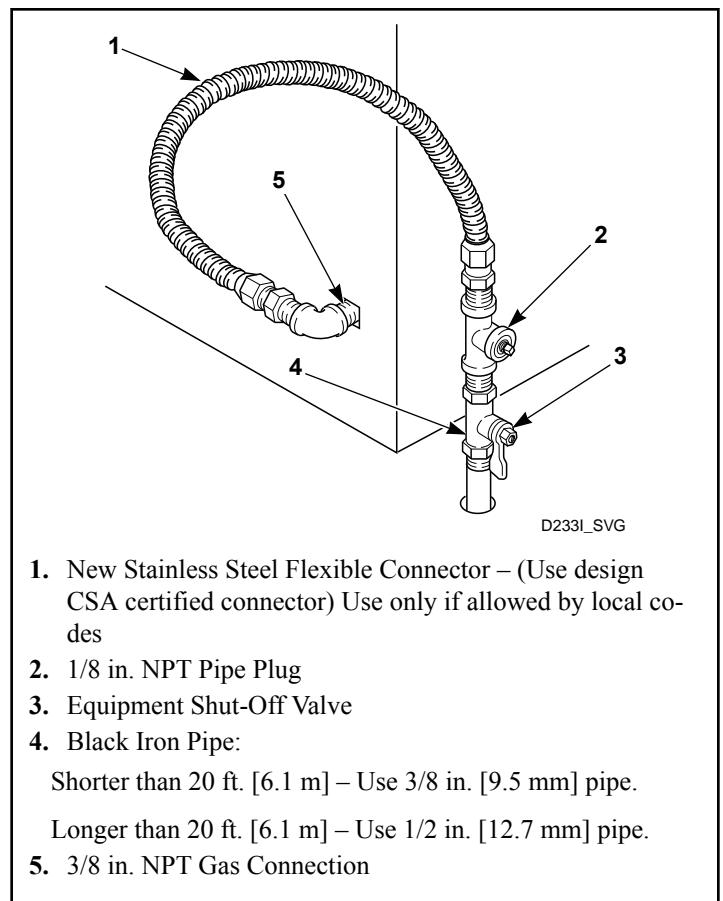


Figure 10

- Remove the shipping cap from the gas connection at the rear of the dryer. Make sure you do not damage the pipe threads when removing the cap.

**NOTE: If gas supply connection is British Standard Pipe Tapered thread (BSPT), order 44178804 brass female NPT (FPT) to male BSPT gas pipe thread adapter, available at extra cost.**

- Connect to gas supply pipe using thread sealant or Teflon tape. Torque 90 - 175 inch-pounds [10.2 - 19.7 Nm].

**NOTE: The connection of gas supply to the appliance shall be made with a flexible hose suitable for the appliance category in accordance with national installation regulations of the country of destination. If in doubt contact the dryer distributor or manufacturer.**

**NOTE: When connecting to a gas line, an equipment shut-off valve in accordance with the National Fuel Gas Code, ANSI Z223.1/NFPA 54 and the Natural Gas and Propane Installation Code, CSA B149.1 must be installed within 6 feet [1.8 m] of the dryer. An 1/8 in. NPT pipe plug must be installed as shown for checking inlet pressure. Refer to Figure 10 .**

- New Stainless Steel Flexible Connector – (Use design CSA certified connector) Use only if allowed by local codes
- 1/8 in. NPT Pipe Plug
- Equipment Shut-Off Valve
- Black Iron Pipe:  
Shorter than 20 ft. [6.1 m] – Use 3/8 in. [9.5 mm] pipe.  
Longer than 20 ft. [6.1 m] – Use 1/2 in. [12.7 mm] pipe.
- 3/8 in. NPT Gas Connection

- Tighten all connections securely but don't overtighten to avoid breaking or bending the gas valve bracket. Turn on gas and check all pipe connections (internal & external) for gas leaks with a non-corrosive leak detection fluid.

**NOTE: The dryer and its appliance main gas valve must be disconnected from the gas supply piping system during any pressure testing of that system at test pressures in excess of 1/2 psi [3.45 kPa]. Refer to Check Heat Source.**

**NOTE: DO NOT connect the dryer to L.P. Gas Service without converting the gas valve. Install L.P. Gas Conversion Kit 458P3, available at extra cost.**

L.P. (Liquefied Petroleum) Gas, 2500 Btu/ft.<sup>3</sup> [93.1 MJ/m<sup>3</sup>], service must be supplied at 10 ± 1.5 inch water column pressure.

For proper operation at altitudes above 3500 feet [1070 m] the L.P. gas valve spud orifice size must be reduced to ensure complete combustion. Refer to Table 2 .

| L.P. Altitude Adjustments |              |               |          |
|---------------------------|--------------|---------------|----------|
| Altitude                  | Orifice Size |               | Part No. |
|                           | feet [m]     | No.           |          |
| 3500 [1070]               | 54           | 0.0550 [1.40] | D503785  |
| 7500 [2290]               | 55           | 0.0520 [1.32] | 58755    |
| 11000 [3355]              | 56           | 0.0465 [1.18] | D503786  |


Table 2

## Electric Dryer Only - Connect Electrical Plug

Dryer requires 120/240 Volt or 120/208 Volt, 60 Hertz, 3 or 4 wire electrical supply. Refer to serial plate for specific electrical requirements.

**IMPORTANT: Use only a new U.L. listed No. 10 (copper wire only) three or four conductor power supply cord kit rated 240 Volts (minimum) 30 Amperes and labeled as suitable for use in a clothes dryer.**


**NOTE: The wiring diagram is located in the control cabinet.**

|  |                |
|--|----------------|
|   | <b>WARNING</b> |
| <p><b>To reduce the risk of fire, electric shock, serious injury or death, all wiring and grounding MUST conform with the latest edition of the National Electrical Code, ANSI/NFPA 70, or the Canadian Electrical Code, CSA C22.1, and such local regulations as might apply. It is the customer's responsibility to have the wiring and fuses installed by a qualified electrician to make sure adequate electrical power is available to the dryer.</b></p> |                |
| W521   |                |

### Earth/Ground Information

This appliance must be properly connected to protective earth/ground. In the event of malfunction or breakdown, the earth/ground will reduce the risk of electric shock by providing a path of least resistance for electric current.

The cord-kit must be equipped with a cord having an equipment-earth/ground conductor and an earth/ground plug. The plug must be plugged into an appropriate outlet that is properly installed and connected to a protective earth/ground in accordance with all local codes and ordinances.

|  |                |
|--|----------------|
|   | <b>WARNING</b> |
| <p><b>Improper connection of the equipment earth/ground conductor can result in a risk of electric shock. Check with a qualified electrician or service person if you are in doubt as to whether the dryer is properly connected to a protective earth/ground.</b></p> |                |
| W886   |                |

Do not modify the plug provided with the cord-kit - if it will not fit the outlet, have a proper outlet installed by a qualified electrician.

The dryer has its own terminal block that must be connected to a separate branch, 60 Hertz, single phase circuit, AC (alternating current) circuit, fused at 30 Amperes (the circuit must be fused on both sides of the line). Electrical service for the dryer should be of maximum rated voltage (208 or 240 Volt, depending on heating element) listed on the serial plate. Do not connect dryer to 110, 115, or 120 Volt circuit.

Heating elements are available for field installation in dryers which are to be connected to electrical service of different voltage than that listed on serial plate, such as 208 Volt.

**NOTE: Branch circuit wire size requirements to laundry room outlet are shown in table below.**

| Wire Length                | Wire                               |
|----------------------------|------------------------------------|
| Less than 15 ft. [4.5 m]   | Listed No. 10 AWG Copper wire only |
| Longer than 15 ft. [4.5 m] | Listed No. 8 AWG Copper wire only  |

Table 3

The power cord connection between wall receptacle and dryer terminal block IS NOT supplied with dryer. Type of power cord and gauge of wire must conform to local codes.

**IMPORTANT: Use only a new U.L. listed No. 10 (copper wire only) three or four conductor power supply cord kit rated 240 Volts (minimum) 30 Amperes and labeled as suitable for use in a clothes dryer.**

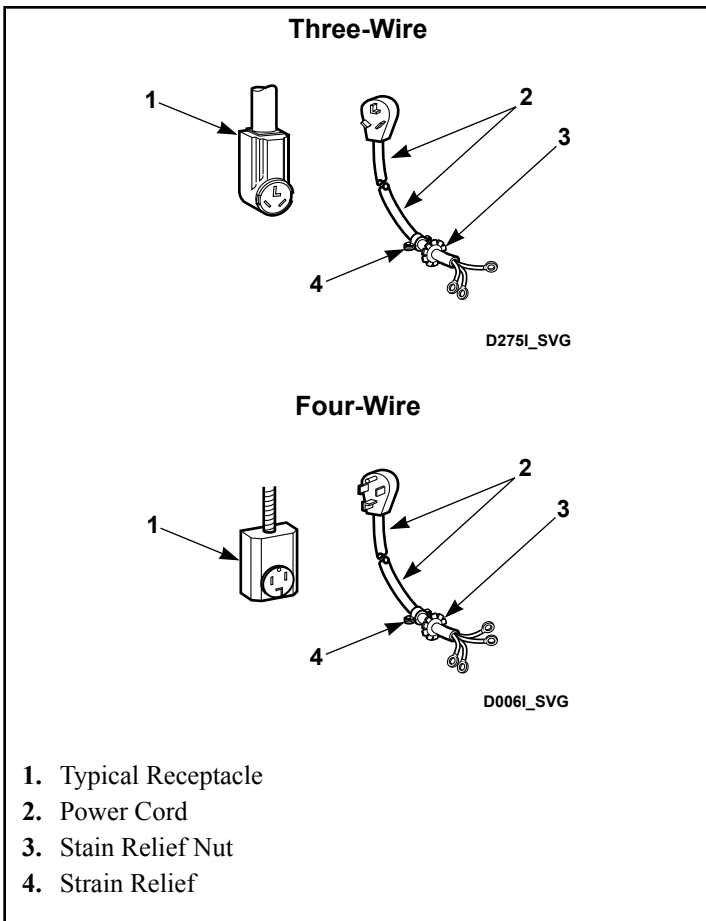


Figure 11

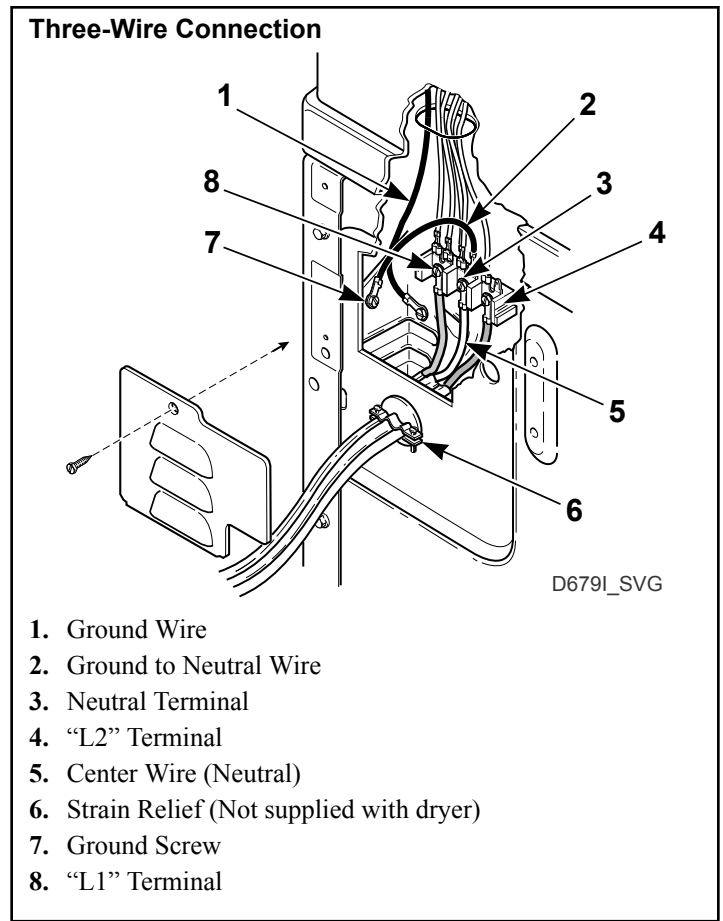


Figure 12

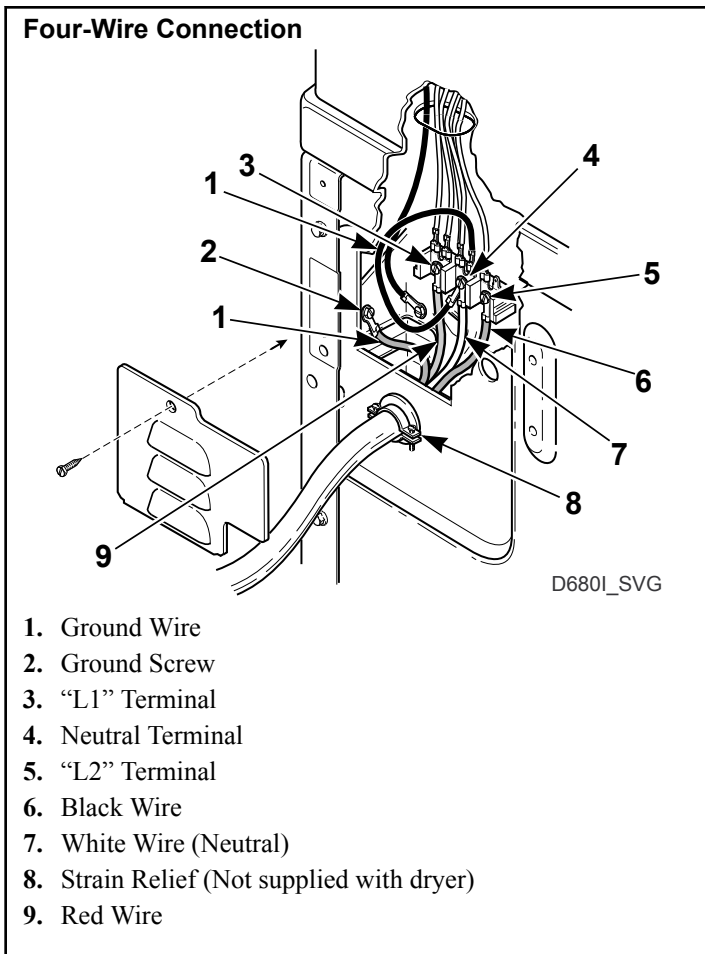


Figure 13

**NOTE:** Dryer is shown with access cover removed for illustration purposes only. **NEVER** operate the dryer with access cover removed.

**Connecting Power Cord with Three-Wire Plug**

**NOTE:** Four-wire cord is required for new branch-circuit installations, mobile homes or where codes do not permit grounding through neutral.

**NOTE:** The power cord is **NOT** supplied with the electric dryer. Type of power cord and gauge of wire must conform to local codes and instructions. The method of wiring the dryer is optional and subject to local code requirements.

**NOTE:** Connect the dryer to the power supply with the **MAXIMUM RATED VOLTAGE** listed on the serial plate.

**NOTE:** Use **COPPER WIRE** only.

**Shorter than 15 ft. (4.5 m) – use 10 AWG**

**Longer than 15 ft. (4.5 m) – use 8 AWG**

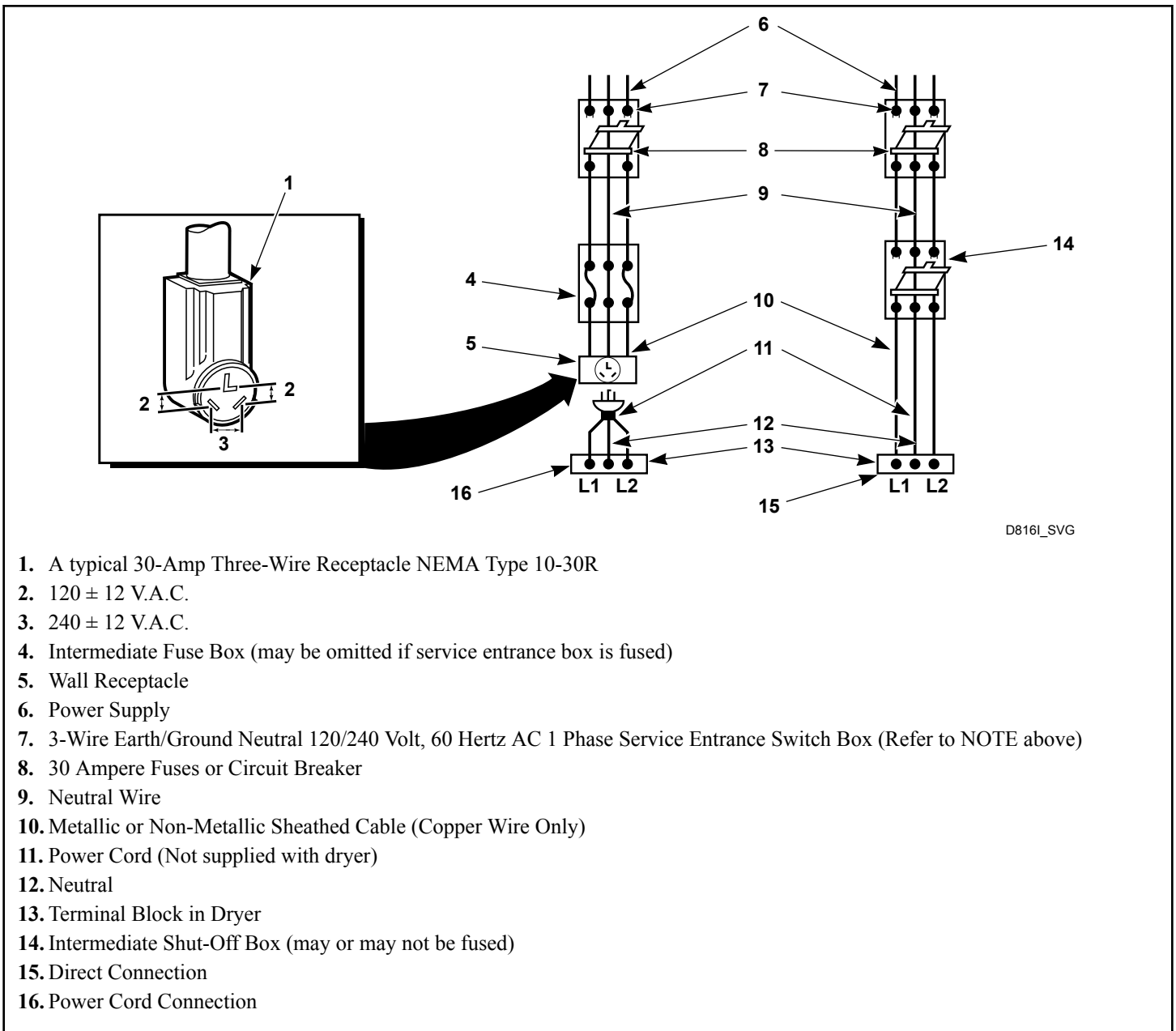


Figure 14

1. Disconnect power to dryer.
2. Remove access cover from rear of dryer.

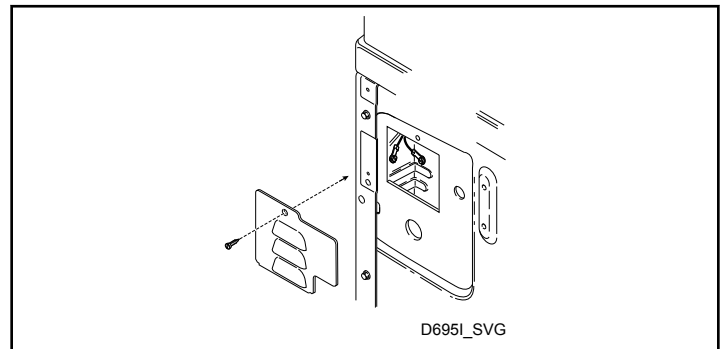


Figure 15

Installation

- Use a strain relief and insert end of power cord through power supply hole.

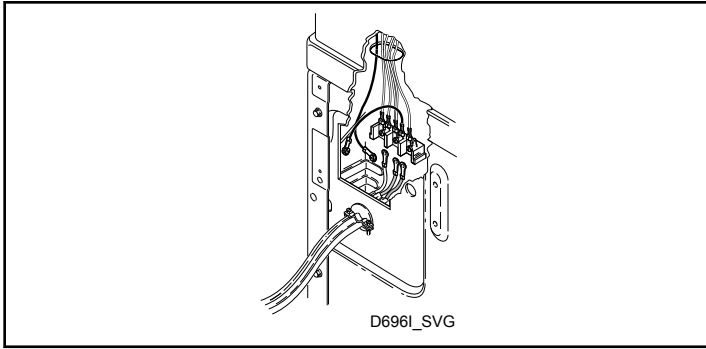
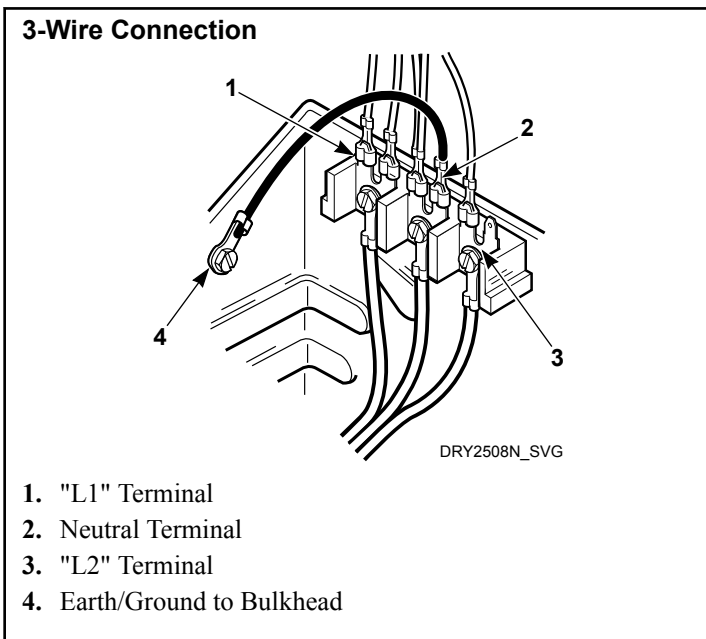


Figure 16

- Use the three screws from the accessories bag to attach the power cord wires to the terminal block. Refer to *Figure 17*.



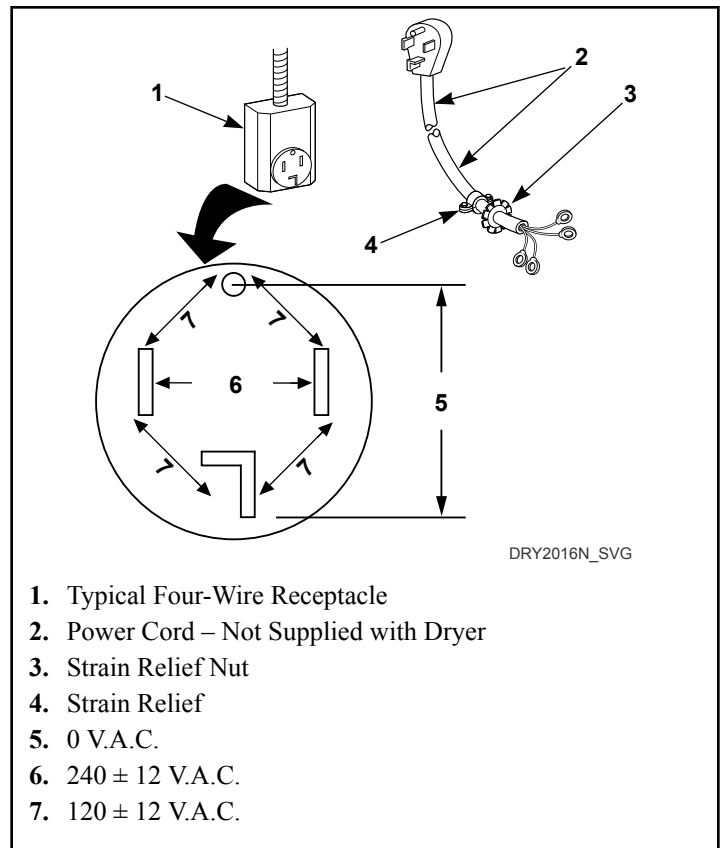
- "L1" Terminal
- Neutral Terminal
- "L2" Terminal
- Earth/Ground to Bulkhead

Figure 17

- Using a screwdriver, tighten all screws firmly.  
**IMPORTANT: Failure to tighten these screws firmly may result in wire failure at the terminal block.**
- Secure the strain relief to the power cord, or wires, where they enter the dryer cabinet.
- Check the continuity of the earth/ground connection before plugging the cord into an outlet. Use an acceptable indicating device connected to the center earth/ground pin of the plug and the green screw on the back of the cabinet.
- Reinstall access cover and screw.

**Connecting Power Cord with Four-Wire Plug**

**NOTE: Four-wire cord is required for new branch-circuit installations, mobile homes or where codes do not permit grounding through neutral.**



- Typical Four-Wire Receptacle
- Power Cord – Not Supplied with Dryer
- Strain Relief Nut
- Strain Relief
- 0 V.A.C.
- 240 ± 12 V.A.C.
- 120 ± 12 V.A.C.

Figure 18

- Disconnect power to dryer.
- Remove access cover from rear of dryer.

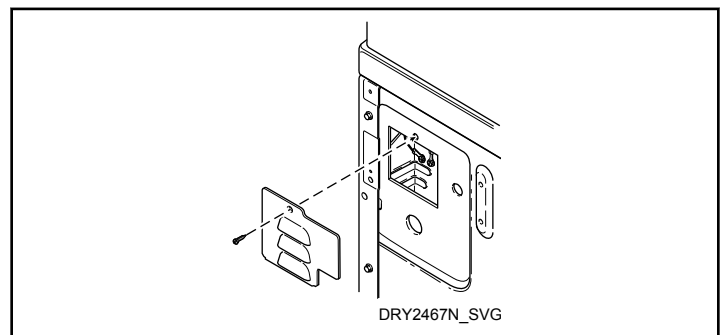


Figure 19

- Remove earth/ground screw from earth/ground to neutral wire and save for use in Step 5. Earth/ground to neutral wire will be attached to the neutral terminal in Step 6.



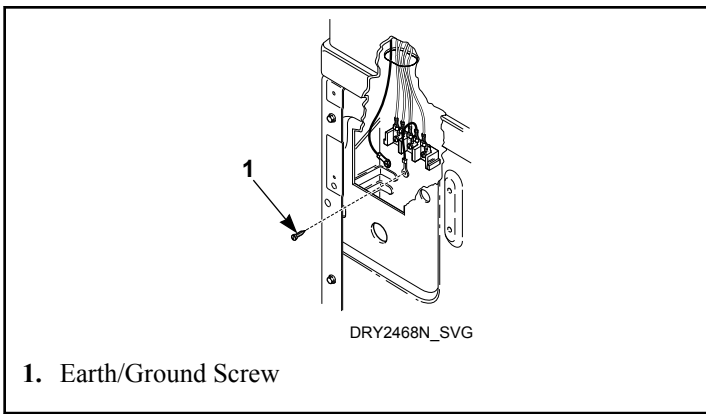


Figure 20

4. Use a strain relief and insert end of power cord through power supply hole.

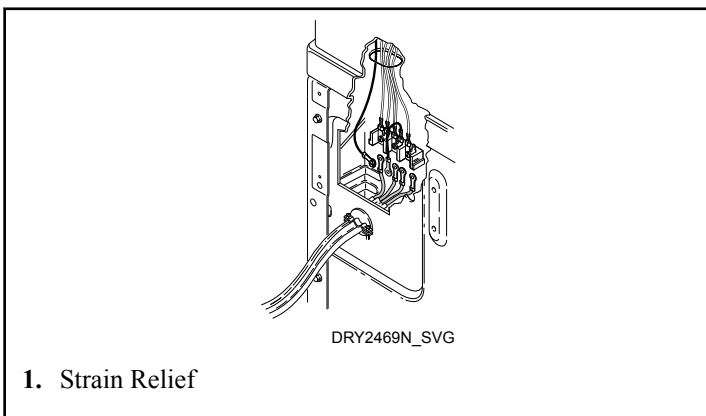


Figure 21

5. Attach power cord earth/ground (green) wire to rear bulkhead using earth/ground screw removed in Step 3.

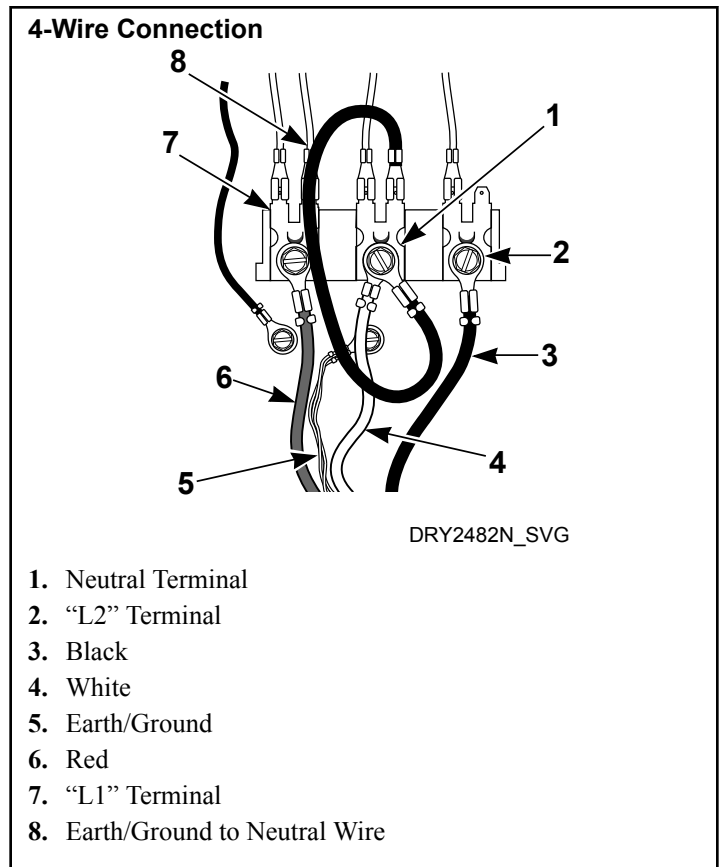


Figure 22


6. Use the three screws from the accessories bag to attach the remaining power cord wires to the terminal block as follows:
  - a. Red wire to "L1" terminal.
  - b. Black wire to "L2" terminal.
  - c. White wire to Neutral terminal.


**NOTE: When installing the white wire, loop the free eyelet end of the earth/ground to neutral wire (removed in Step 3) and attach along with the white wire to the neutral (center) terminal on the terminal block.**


7. Using a screwdriver, tighten all screws firmly.
 


**IMPORTANT: Failure to tighten these screws firmly may result in wire failure at the terminal block.**
8. Secure the strain relief to the power cord, or wires, where they enter the dryer cabinet.
9. Check the continuity of the earth/ground connection before plugging the cord into an outlet. Use an acceptable indicating device connected to the center earth/ground pin of the plug and the green screw on the back of the cabinet.
10. Reinstall access cover and screw.


## Connect Dryer Exhaust System


|   |                |
|---|----------------|
|                                      | <b>WARNING</b> |
| <p>To reduce the risk of fire and combustion gas accumulation the dryer <b>MUST</b> be exhausted to the outdoors.</p> |                |
| W604  |                |

|   |                |
|---|----------------|
|    | <b>WARNING</b> |
| <p>To reduce the risk of fire and the accumulation of combustion gases, <b>DO NOT</b> exhaust dryer air into a window well, gas vent, chimney or enclosed, unventilated area, such as an attic, wall, ceiling, crawl space under a building or concealed space of a building.</p> |                |
| W045  |                |

|  |                |
|--|----------------|
|   | <b>WARNING</b> |
| <p>This gas appliance contains or produces a chemical or chemicals which can cause death or serious illness and which are known to the State of California to cause cancer, birth defects, or other reproductive harm. To reduce the risk from substances in the fuel or from fuel combustion, make sure this appliance is installed, operated, and maintained according to the instructions in this manual.</p> |                |
| W115   |                |

|   |                |
|---|----------------|
|                      | <b>WARNING</b> |
| <p>To reduce the risk of fire, <b>DO NOT</b> use plastic or thin foil ducting to exhaust the dryer.</p> |                |
| W354  |                |

|   |                |
|---|----------------|
|    | <b>WARNING</b> |
| <p>To reduce the risk of fire, the exhaust duct and weather hood <b>MUST</b> be fabricated of a material that will not support combustion. Rigid or flexible metal pipe is recommended for a clothes dryer.</p> |                |
| W048  |                |

|   |                |
|---|----------------|
|    | <b>WARNING</b> |
| <p>To reduce the risk of fire due to increased static pressure, we do not recommend installation of in-line secondary lint filters or lint collectors. If secondary systems are mandated, frequently clean the system to assure safe operation.</p> |                |
| W749  |                |

**IMPORTANT:** Installing in-line filters or lint collectors will cause increased static pressure. Failure to maintain the secondary lint system will decrease dryer efficiency and will void machine warranty.

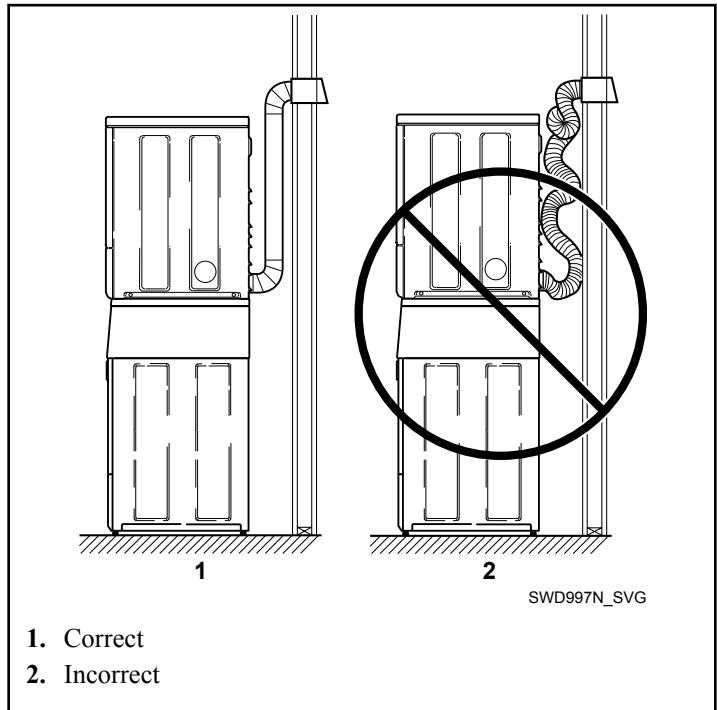


Figure 23

- **DO NOT** use plastic, thin foil or type B ducting. Rigid metal duct is recommended.
- Locate dryer so exhaust duct is as short as possible.
- Be certain old exhaust ducts are cleaned before installing your new dryer.
- Use 4 inch [102 mm] diameter rigid or flexible metal duct.
- The male end of each section of duct must point away from the dryer.
- Use as few elbows as possible.
- Use of duct tape or pop-rivets on all seams and joints is recommended, if allowed by local codes. **DO NOT** use sheet metal screws or fasteners on exhaust pipe joints which extend into the duct and catch lint.
- Ductwork that runs through unheated areas must be insulated to help reduce condensation and lint build-up on pipe walls.
- Install backdraft dampers in multi-dryer installations.

- In mobile home installations, dryer exhaust duct must be secured to mobile home structure.
- Dryer exhaust duct **MUST NOT** terminate under mobile home.
- Exhaust duct must not be connected to any other duct, vent, or chimney.
- Dryer exhausts 220 cfm per unit (measured at back of dryer).
- **DO NOT** install flexible duct in concealed spaces, such as a wall or ceiling.
- Static pressure in exhaust duct should not be greater than 0.6 inches water column [1.5 cm water column], measured with manometer placed on exhaust duct 2 feet [610 mm] from dryer (check with dryer running and no load). In multi-dryer installations, all dryers connected to the main collector duct should be operating when pressure is checked.
- Exhausting dryer in hard-to-reach locations can be done by installing 521P3 Flexible Metal Vent Kit (available as optional equipment at extra cost).
- Sufficient make-up air must be supplied to replace the air exhausted by the dryer. The free area of any opening for outside air must be at least 40 in.<sup>2</sup> [25806 mm<sup>2</sup>] per unit.
- Energy efficient buildings with low air infiltration rates should be equipped with an air exchanger that can accommodate on demand make-up air needs in the laundry room. These devices can be obtained through your building contractor or building material suppliers.
- Do not draw make-up air from a room containing a gas fired water heater, a dry cleaner or a hair salon.
- Failure to exhaust dryer properly will void warranty.
- A dryer will dissipate 60 Btu/ft<sup>2</sup> [681,392 J/m<sup>2</sup>] of surface area exposed to the conditioned air.

**NOTE: Venting materials are not supplied with the dryer (obtain locally).**

**IMPORTANT: DO NOT block the airflow at the bottom of the dryer’s front panel with laundry, rugs, etc. Blockage will decrease airflow through the dryer, thus reducing the efficiency of the dryer.**

**Exhaust Direction**

The dryer can be exhausted to the outdoors through the back, left, right or bottom of the dryer. **EXCEPTION:** Gas dryers cannot be vented out the left side because of the burner housing.

Dryer is shipped from factory ready for rear exhaust.

Exhausting the dryer through sides or bottom can be accomplished by installing a Directional Exhaust Kit, 528P3, available as optional equipment at extra cost.

**Exhaust System**

For best drying results, recommended maximum length of exhaust system is shown in *Table 4*.

To prevent backdraft when dryer is not in operation, outer end of exhaust pipe must have a weather hood with hinged dampers (obtain locally).

**NOTE: Weather hood should be installed at least 12 inches [305 mm] above the ground. Larger clearances may be necessary for installations where heavy snow-fall can occur.**

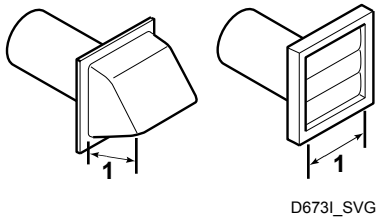
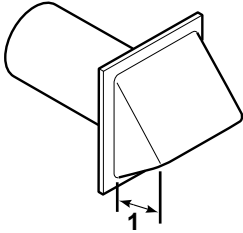
| Number of 90° Elbows   | Weather Hood Type  |  |
|--|--|--|
|  | Recommended  | Use Only for Short Run Installations   |
|  |  <p>1. 4 in. [102 mm]</p> |  <p>1. 2.5 in. [64 mm]</p> |
| <b>Maximum length of 4 in. [102 mm] diameter rigid metal duct.</b> |  |  |
| 0  | 65 feet [19.8 m]   | 55 feet [16.8 m]   |
| 1  | 55 feet [16.8 m]   | 47 feet [14.3 m]   |

Table 4 continues...

| Number of 90° Elbows | Weather Hood Type |                                      |
|----------------------|-------------------|--------------------------------------|
|                      | Recommended       | Use Only for Short Run Installations |
| 2                    | 47 feet [14.3 m]  | 41 feet [12.5 m]                     |
| 3                    | 36 feet [11.0 m]  | 30 feet [9.1 m]                      |
| 4                    | 28 feet [8.5 m]   | 22 feet [6.7 m]                      |

Table 4

**NOTE: Deduct 6 feet [1.8 m] for each additional elbow.**

**NOTE: The maximum length of a 4 in. [102 mm] diameter flexible metal duct must not exceed 7.87 ft. [2.4 m], as required to meet UL2158, clause 7.3.2.A.**

**Multi-Dryer Installation Exhaust Requirements**

Figure 24 shows a typical example of a multiple dryer installation. Note how each dryer has its own exhaust system vented to the central exhaust duct.

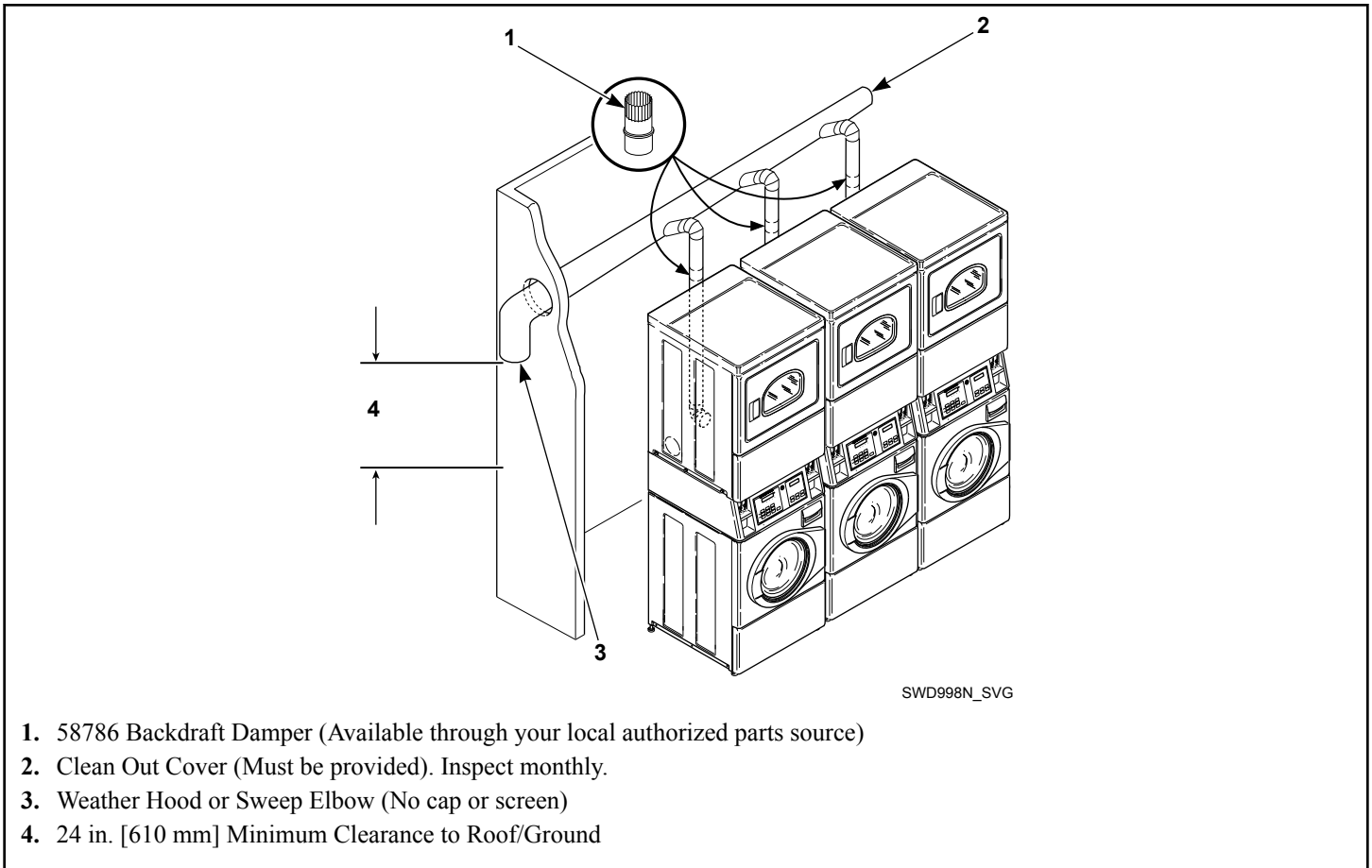


Figure 24

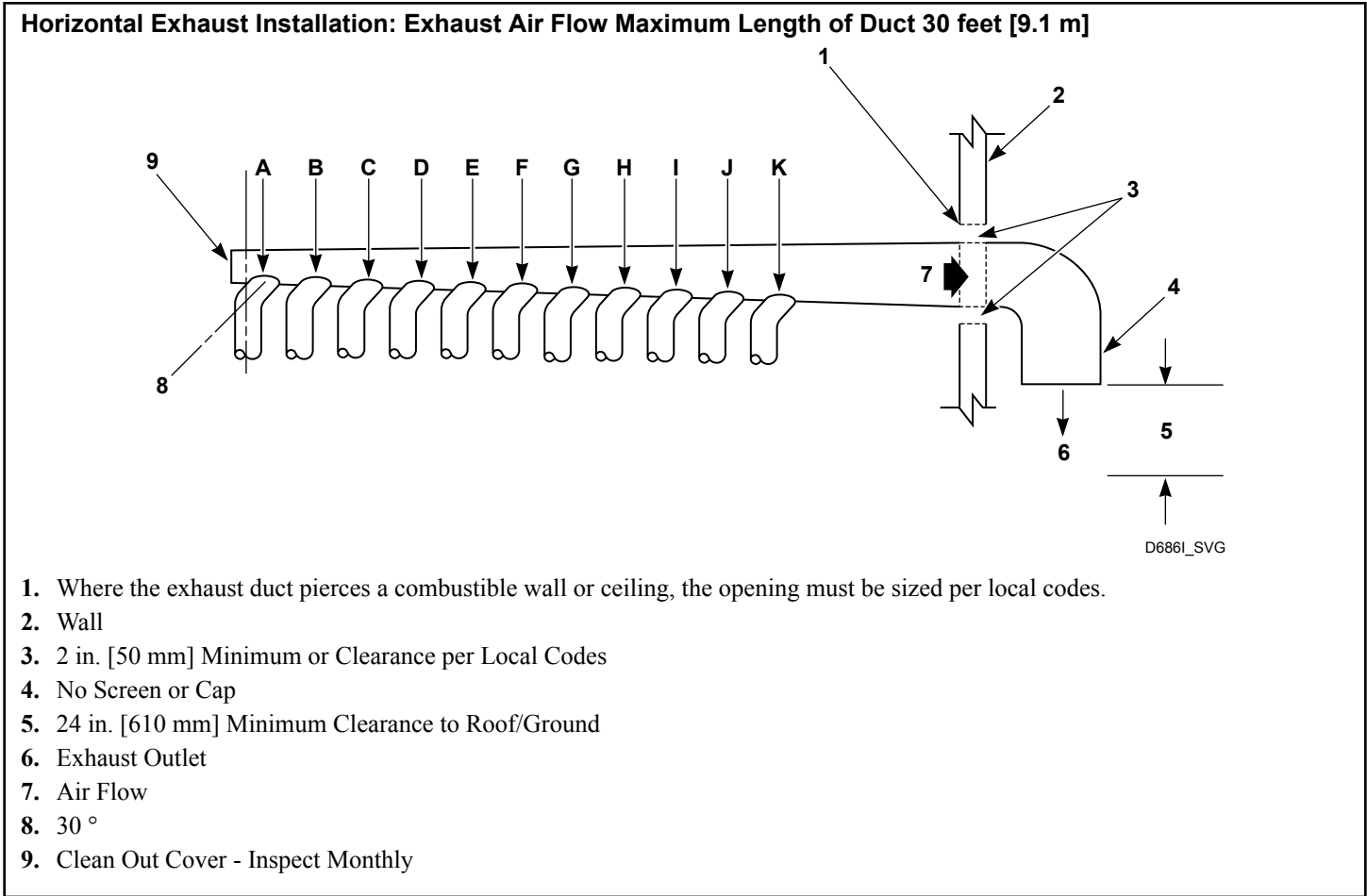


Figure 25

| Duct Station | Minimum Diameter of Collector Duct |
|--------------|------------------------------------|
| A            | 4 inches [102 mm]                  |
| B            | 8 inches [203 mm]                  |
| C            | 9 inches [229 mm]                  |
| D            | 10 inches [254 mm]                 |
| E            | 11 inches [279 mm]                 |
| F            | 12 inches [305 mm]                 |
| G            | 13 inches [326 mm]                 |
| H            | 14 inches [356 mm]                 |
| I            | 15 inches [381 mm]                 |
| J            | 15 inches [381 mm]                 |
| K            | 16 inches [406 mm]                 |

Table 5

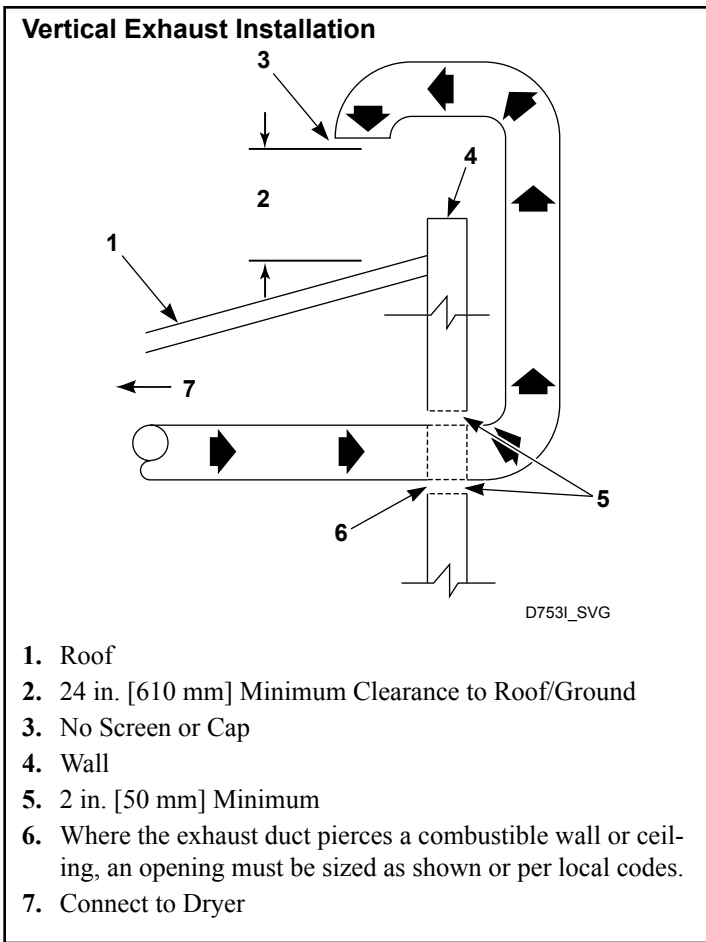


Figure 26

## WARNING

**To reduce the risk of fire and the accumulation of combustion gases, DO NOT exhaust dryer air into a window well, gas vent, chimney or enclosed, unventilated area, such as an attic, wall, ceiling, crawl space under a building or concealed space of a building.**

W045

A Backdraft Damper, Part No. 58786 (obtain locally), should be installed in a 4 inch [102 mm] diameter VERTICAL duct system. This will prevent a backdraft when dryer is not in use, and will keep the exhaust air in balance within the central exhaust system.

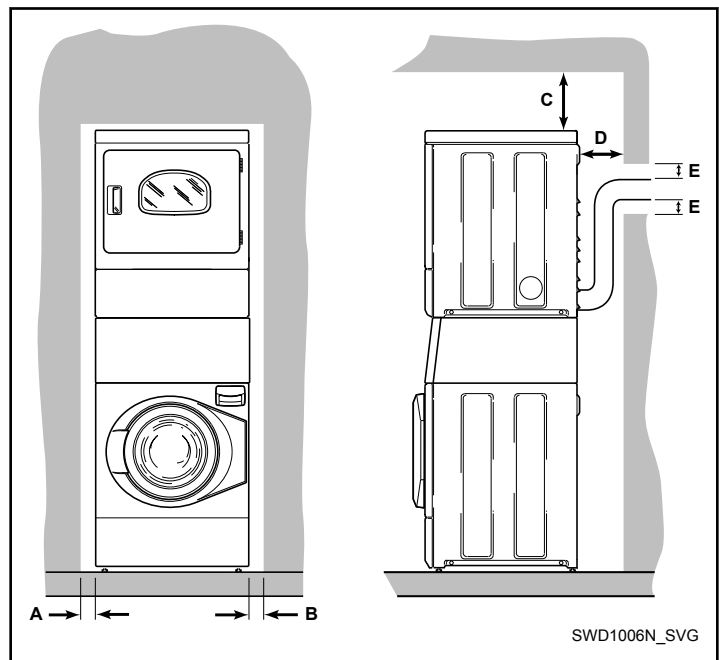
## Position and Level the Unit

## WARNING

**Units elevated above floor level must be anchored to that elevated surface, base or platform. The material used to elevate the unit should also be anchored to the floor to ensure that the unit will not walk or that the unit can not be physically pulled, tipped or slid from its installed position. Failure to do so may result in conditions which can produce serious injury, death and/or property damage.**

W307

1. Position unit so it has sufficient clearance for installation and servicing.



**NOTE: Shaded areas indicate adjacent structure.**

| Dryer and Exhaust Duct Clearances |                  |                   |
|-----------------------------------|------------------|-------------------|
| Area                              | Description      | Minimum Clearance |
| A                                 | Left Dryer Side  | 0 in. [0 mm]      |
| B                                 | Right Dryer Side | 1 in. [25 mm]     |
| C                                 | Dryer Top        | 6 in. [152 mm]    |
| D *                               | Dryer Rear       | 4 in. [102 mm]    |

*Table continues...*

| Dryer and Exhaust Duct Clearances   |   |                   |
|---|---|-------------------|
| Area  | Description                                     | Minimum Clearance |
| E   | Exhaust Duct Clearance to Combustible Materials | 2 in. [51 mm]     |
| * Rear clearance is minimum. 6 inches [152 mm] are recommended when venting through rear of unit. |   |                   |

**NOTE: Use of the dispenser drawer or unit doors as a handle in the transportation of the unit may cause damage to the dispenser or doors.**

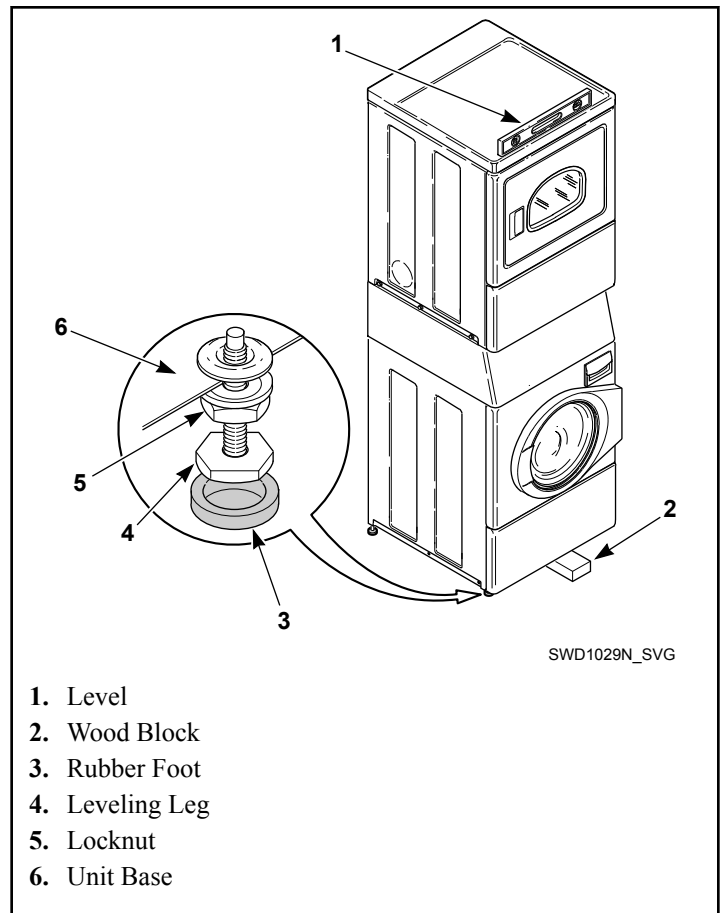
- Place unit in position on a solid, sturdy and level floor. Installing the unit on any type of carpeting, soft tile or other weakly supported structures is not recommended.
- Place a level on the raised portion of cabinet top and check if the unit is level from side to side and front to back.
- If unit is not level, tilt unit to access the front and rear leveling legs. For easier access to leveling legs, prop up unit with a wooden block.
- Loosen 7/8 in. locknut and adjust legs by screwing into or out of unit base until the unit is level from side to side and front to back (using a level). Unit should not rock.

**NOTE: Leveling legs can also be adjusted from inside the unit using an adjustable wrench.**

- Tighten the locknuts securely against the unit base. If the locknuts are not tight, unit will move out of position during operation.

**NOTE: DO NOT slide unit across floor if the leveling legs have been extended. Legs and base could become damaged.**

- Remove rubber feet from accessories bag and place on all four leveling legs.
- Verify that unit doesn't rock.



- Level
- Wood Block
- Rubber Foot
- Leveling Leg
- Locknut
- Unit Base

Figure 27

## Wipe Out Inside of Washer and Dryer Drums

**IMPORTANT: Prior to first wash, use an all-purpose cleaner, or a detergent and water solution, and a damp cloth to remove shipping dust from inside the drums.**

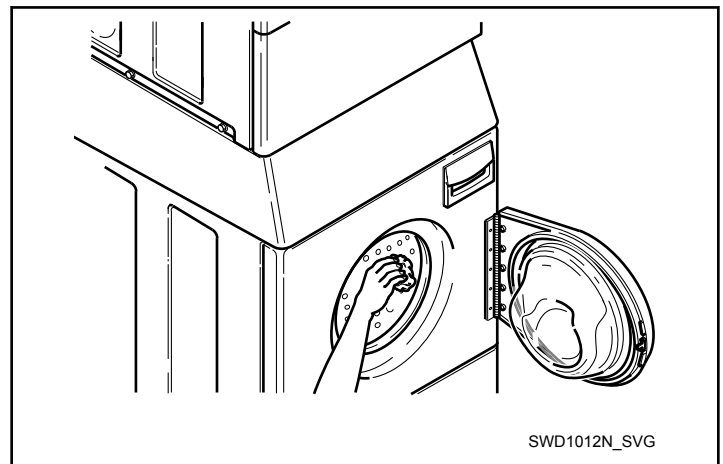


Figure 28

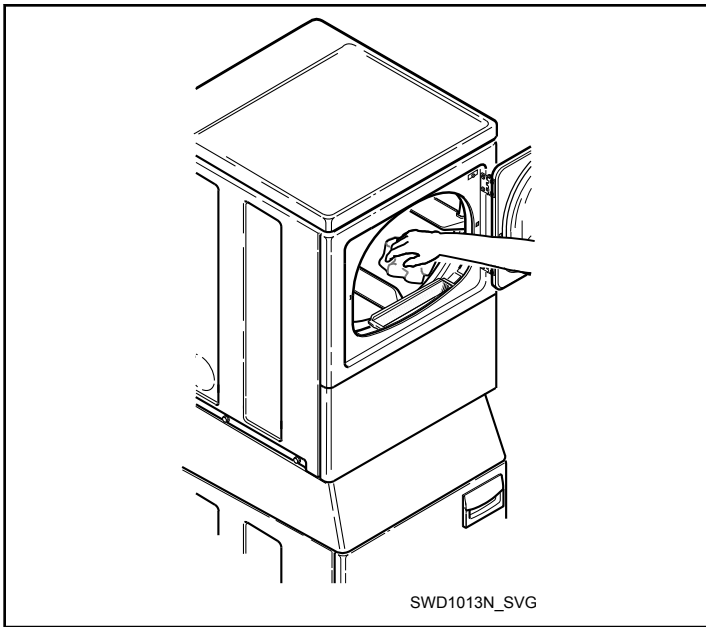


Figure 29

## Plug In the Washer and Dryer

### Electric Dryer

Connect the dryer to an electrical power source. Refer to Connect Electrical Plug section for information on connecting power cord.

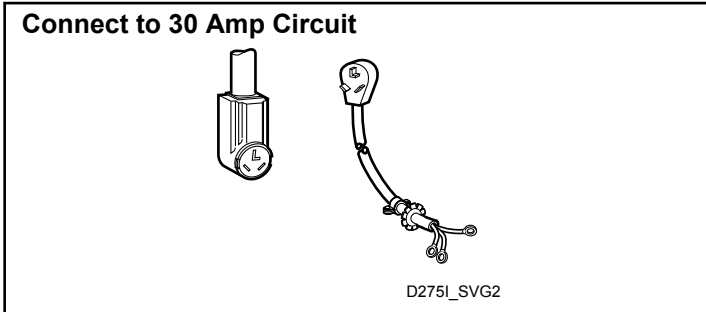


Figure 30

### Gas Dryer

Dryer requires 120 Volt, 60 Hertz electrical supply and comes equipped with a 3-prong earth/ground plug. Refer to serial plate for specific electrical requirements.

**NOTE: The wiring diagram is located in the control cabinet.**



## WARNING

To reduce the risk of fire, electric shock, serious injury or death, all wiring and grounding **MUST** conform with the latest edition of the National Electrical Code, ANSI/NFPA 70, or the Canadian Electrical Code, CSA C22.1, and such local regulations as might apply. It is the customer's responsibility to have the wiring and fuses installed by a qualified electrician to make sure adequate electrical power is available to the dryer.

W521

When plugging in the dryer:

- DO NOT overload circuits.
- DO NOT use an extension cord.
- DO NOT use an adapter.
- DO NOT operate both a washer and a gas dryer on the same circuit. Use separately fused 15 Amp circuits.

The dryer is designed to be operated on a separate branch, polarized, three-wire, effective earth/ground, 120 Volt, 60 Hertz, AC (alternating current) circuit protected by a 15 Ampere fuse, equivalent fuse-tron or circuit breaker.

The three-prong earth/ground plug on the power cord should be plugged directly into a polarized three-slot effective earth/ground receptacle rated 120 Volts AC (alternating current) 15 Amps. Refer to *Figure 31* to determine correct polarity of the wall receptacle.



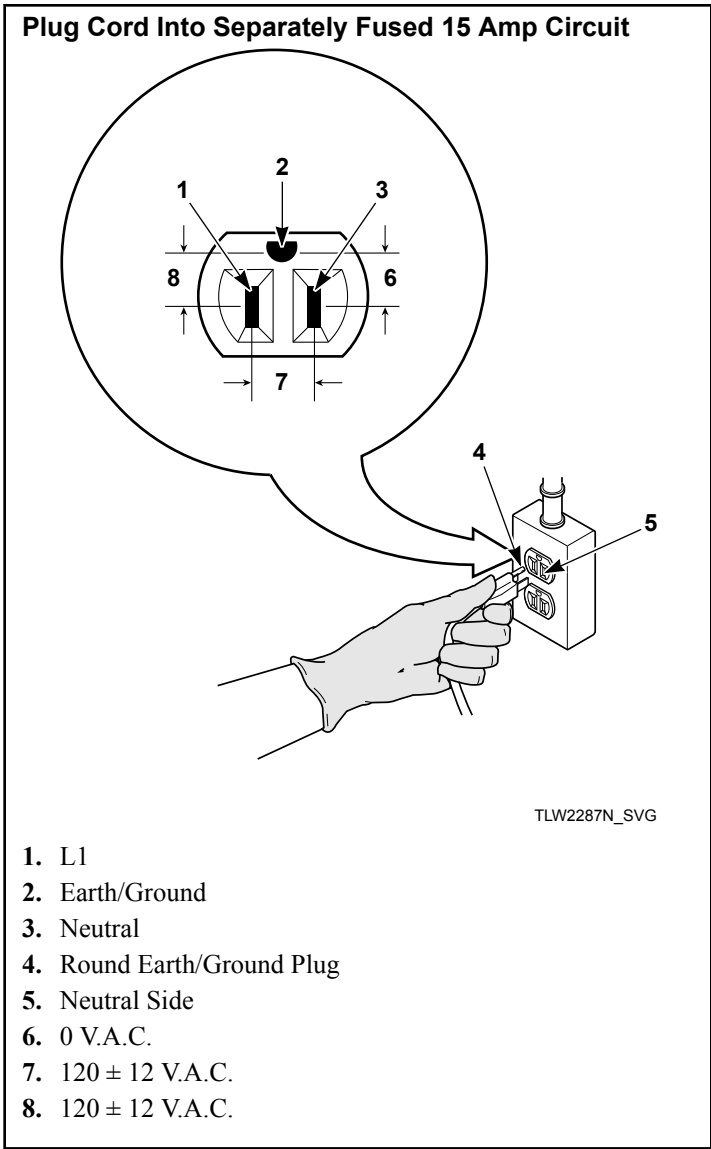


Figure 31

**Earth/Ground Information**

This appliance must be properly connected to protective earth/ground. In the event of malfunction or breakdown, the earth/ground will reduce the risk of electric shock by providing a path of least resistance for electric current.

The dryer is equipped with a cord having an equipment earth/ground conductor and a three-prong earth/ground plug. The three-prong earth/ground plug on the power cord should be plugged directly into a polarized three-slot effective earth/ground receptacle rated 110/120 Volts AC (alternating current) 15 Amps.

**WARNING**

This unit is equipped with a three-prong (earth/ground) plug for your protection against shock hazard and should be plugged directly into a protective earth/ground three-prong receptacle. Do not cut or remove the earth/ground prong from this plug.

W823

**WARNING**

Improper connection of the equipment earth/ground conductor can result in a risk of electric shock. Check with a qualified electrician or service person if you are in doubt as to whether the dryer is properly connected to a protective earth/ground.

W886

Do not modify the plug provided with the dryer – if it will not fit the outlet, have a proper outlet installed by a qualified electrician.

**NOTE: Have a qualified electrician check the polarity of the wall receptacle. If a voltage reading is measured other than that illustrated, the qualified electrician should correct the problem.**

Do not operate other appliances on the same circuit.

**WARNING**


To reduce the risk of an electric shock or fire, DO NOT use an extension cord or an adapter to connect the dryer to the electrical power source.

W037

**Washer**

Washer requires 120 Volt, 60 Hertz electrical supply and comes equipped with a 3-prong earth/ground plug. Refer to serial plate for specific electrical requirements.

**NOTE: The wiring diagram is located behind the control panel, inside the control cabinet.**

|   |                                     |
|---|-------------------------------------|
|    | <h2 style="margin: 0;">WARNING</h2> |
| <p><b>To reduce the risk of fire, electric shock, serious injury or death, all wiring and protective earth/ground connections MUST conform with the latest edition of the National Electrical Code, ANSI/NFPA No. 70, and such local regulations as might apply. It is the customer's responsibility to have the wiring, fuses and circuit breakers installed by a qualified electrician to make sure adequate electrical power is available to the washer.</b></p> |                                     |
| <p>W824</p>   |                                     |

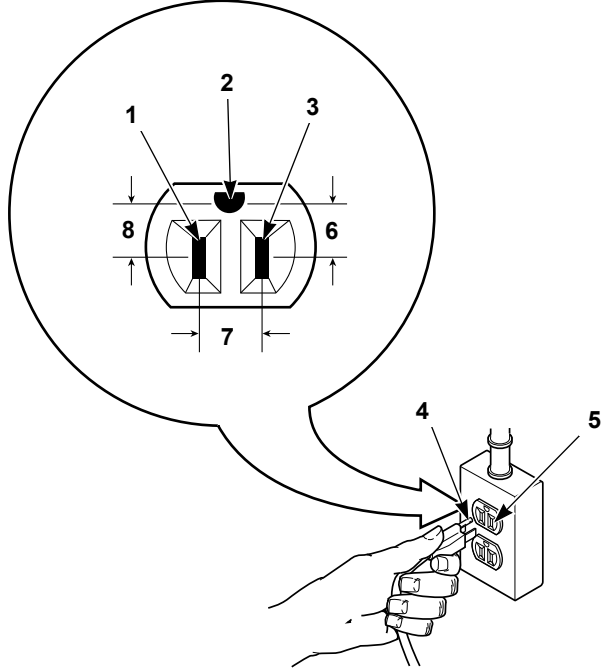
When plugging in the washer:

- DO NOT overload circuits.
- DO NOT use an extension cord.
- DO NOT use an adapter.
- DO NOT operate both a washer and a gas dryer on the same circuit. Use separately fused 15 Amp circuits.

The washer is designed to be operated on a separate branch, polarized, three-wire, effective earth/ground, 120 Volt, 60 Hertz, AC (alternating current), circuit protected by a 15 ampere fuse, equivalent fuse-tron or circuit breaker.

The three-prong earth/ground plug on the power cord should be plugged directly into a polarized three-slot effective earth/ground receptacle rated 110/120 Volts AC (alternating current) 15 Amps. Refer to *Figure 32* to determine correct polarity of the wall receptacle.


**Standard 120 Volt, 60 Hertz 3-Wire Effective Earth/ Ground Circuit**



DRY2022N\_SVG

1. L1
2. Earth/Ground
3. Neutral Side
4. Round Earth/Ground Prong
5. Neutral
6. 0 V.A.C.
7. 120 ± 12 V.A.C.
8. 120 ± 12 V.A.C.


Figure 32

|   |                                     |
|---|-------------------------------------|
|    | <h2 style="margin: 0;">WARNING</h2> |
| <p><b>To reduce the risk of an electric shock or fire, DO NOT use an extension cord or an adapter to connect the washer to the electric power source.</b></p> |                                     |
| <p>W082</p>   |                                     |


**Earth/Ground Instructions**


This appliance must be properly connected to protective earth/ground. In the event of malfunction or breakdown, the earth/ground will reduce the risk of electric shock by providing a path of least resistance for electric current.

The appliance is equipped with a cord having an equipment earth/ground conductor and a three-prong earth/ground plug. The plug must be plugged into an appropriate outlet that is properly installed and connected to a protective earth/ground in accordance with all local codes and ordinances.

|   |                |
|---|----------------|
|    | <b>WARNING</b> |
| <p><b>Improper connection of the equipment earth/ground conductor can result in a risk of electric shock. Check with a qualified electrician or service person if you are in doubt as to whether the unit is properly connected to a protective earth/ground.</b></p> |                |
| W893  |                |

- DO NOT modify the plug provided with the unit – if it will not fit the outlet, have a proper outlet installed by a qualified electrician.
- If the laundry room's electrical supply does not meet the above specifications and/or if you are not sure the laundry room has an effective earth/ground, have a qualified electrician or your local electrical utility company check it and correct any problems.
- Do not operate other appliances on the same circuit when this appliance is operating.

|  |                |
|--|----------------|
|                                   | <b>WARNING</b> |
| <p><b>Any disassembly requiring the use of tools must be performed by a suitably qualified service person.</b></p> |                |
| W299   |                |

|   |                |
|---|----------------|
|    | <b>WARNING</b> |
| <p><b>This unit is equipped with a three-prong (earth/ground) plug for your protection against shock hazard and should be plugged directly into a protective earth/ground three-prong receptacle. Do not cut or remove the earth/ground prong from this plug.</b></p> |                |
| W823  |                |

## Check Installation

1. Refer to Installer Checklist on the back cover of this manual and make sure that unit is installed correctly.
2. Run washer with a test load to make sure it is operating properly and properly leveled.
  - a. Put about six pounds of laundry (four bath towels and three jeans) into washer.
  - b. Close door.
  - c. Rapid advance to the final spin part of the cycle.
  - d. When washer spins at high speed, verify that it is stable.
  - e. If it is not, after cycle is complete, refer to Position and Level the Washer to readjust leveling legs.

## Check Heat Source

### Electric Dryers

1. Close the loading door and start the dryer in a heat setting (refer to the operation instructions).
2. After the dryer has operated for three minutes, the exhaust air or exhaust pipe should be warm.

### Gas Dryers


**IMPORTANT: This operation is to be conducted by qualified personnel only.**

1. To view the burner flame, remove the lower front panel of the dryer.
2. Close the loading door and start the dryer in a heat setting (refer to the operation instructions). The dryer will start, the igniter will glow red and the main burner will ignite.

**IMPORTANT: If all air is not purged out of gas line, gas igniter may go off before gas is ignited. If this happens, after approximately two minutes igniter will again attempt gas ignition.**

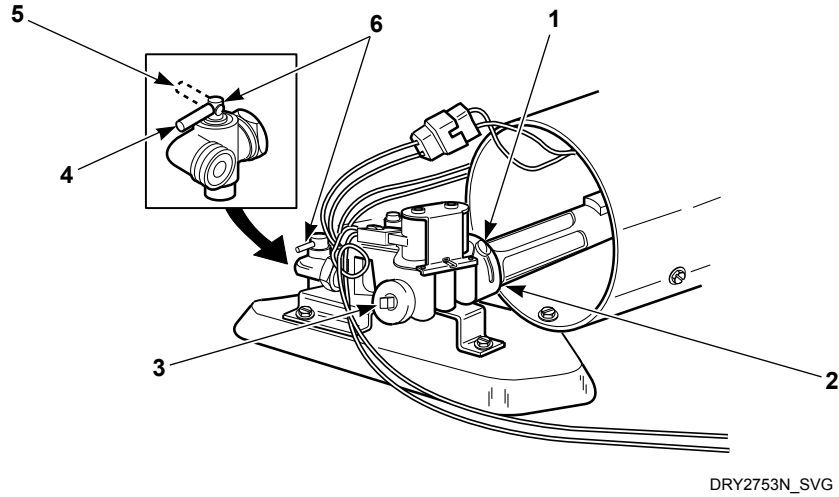
**IMPORTANT: If igniter does not light, make sure gas is turned on.**

3. After the dryer has operated for approximately five minutes, observe burner flame through lower front panel.
4. Adjust the air shutter to obtain a soft, uniform blue flame. (A lazy, yellow-tipped flame indicates lack of air. A harsh, roaring, very blue flame indicates too much air.) Adjust the air shutter as follows:
  - a. Loosen the air shutter lock screw.
  - b. Turn the air shutter to the left to get a luminous yellow-tipped flame, then turn it back slowly to the right to obtain a steady, soft blue flame.
  - c. After the air shutter is adjusted for proper flame, tighten the air shutter lock screw securely.
5. Reinstall the lower front panel.

|  |                |
|--|----------------|
|                                       | <b>WARNING</b> |
| <p><b>To reduce the risk of serious injury or death, lower front panel must be in place during normal operation.</b></p> |                |
| W158   |                |

6. After the dryer has operated for approximately three minutes, exhaust air or exhaust pipe should be warm.

**Shut-off Valve Only Applicable on Certain Models**



- 1. Air Shutter Lockscrew
- 2. Air Shutter
- 3. 1/8 in. [3.1 mm] Pipe Plug (For checking manifold pressure)
- 4. Shut-off Valve Open Position
- 5. Shut-off Valve Closed Position
- 6. Shut-off Valve Handle

Figure 33

# Operation

## Operation Instructions for Washers

|   |                |
|---|----------------|
|    | <b>WARNING</b> |
| <p>To reduce the risk of fire, electric shock, or injury to persons, read the <b>IMPORTANT SAFETY INSTRUCTIONS</b> before operating this appliance.</p> |                |
| W727  |                |

**IMPORTANT:** Prior to first wash, use an all-purpose cleaner, or a detergent and water solution, and a damp cloth to remove shipping dust from inside of washer.

**IMPORTANT:** Remove all sharp objects from laundry to avoid tears and rips to items during normal machine operation.

### Load Laundry

1. Load items loosely into wash drum. (21 pounds [9.5 kg] maximum dry clothes load)

**NOTE:** Small items such as baby socks may get caught around the door. Place these articles inside a mesh garment bag.

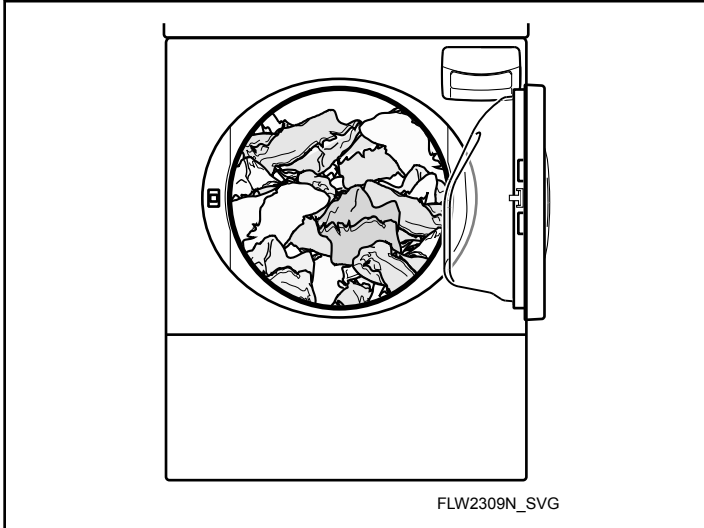


Figure 34

2. When washing bulky items such as blankets and comforters, use the DELICATES/BULKY cycle. The cycle includes agitation and final spin speeds that maintain the load's balance and minimize wear to the articles.

**NOTE:** Different fabrics will have different densities and loads must be adjusted accordingly to meet machine loading specifications shown.

## Close Loading Door

Close loading door tightly. The washer will not operate with the loading door open.

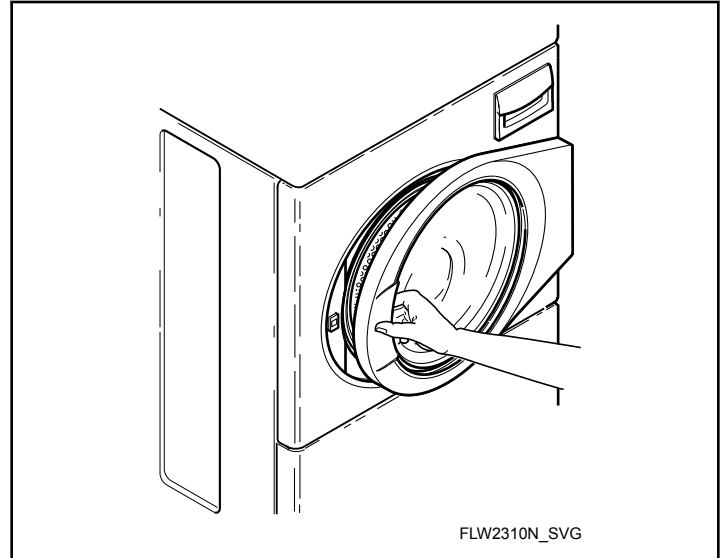


Figure 35

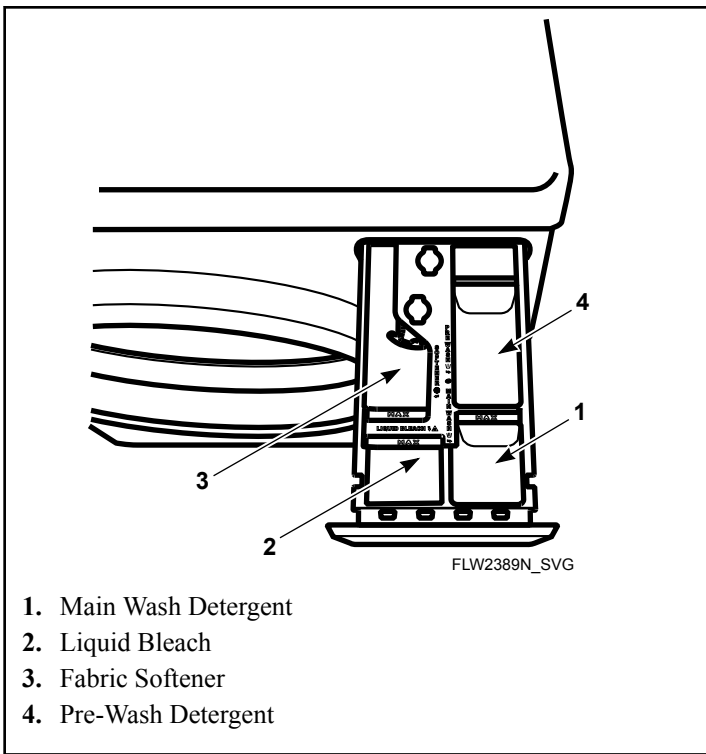
## Add Laundry Supplies

1. Open dispenser drawer.
2. Measure and add low sudsing, high efficiency (HE) main wash detergent (1), bleach (2), fabric softener (3) and pre-wash detergent (4) to the dispenser drawer.

**IMPORTANT:** If using single-load laundry detergent packets or 3-in-1 laundry sheets, **DO NOT** place them in the dispenser drawer. Place them directly in the wash drum with clothes.

**IMPORTANT:** If using non-HE detergent, avoid oversudsing by using 1/2 of the detergent manufacturer's recommended amount.

3. Close dispenser drawer.



1. Main Wash Detergent
2. Liquid Bleach
3. Fabric Softener
4. Pre-Wash Detergent

Figure 36

### Determine Proper Controls

The direction of the arrow indicates which control is for which unit.

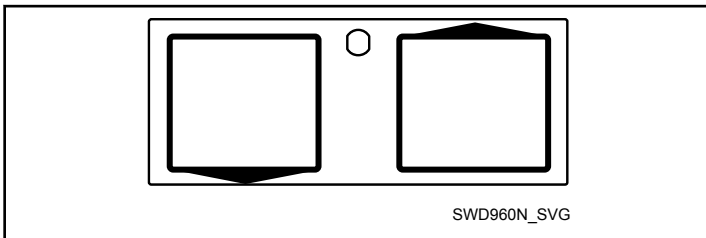


Figure 37

### Set Cycle

1. Push touchpad for NORMAL, PERM PRESS or DELICATES/BULKY cycle.
2. Light indicates selection.

**NOTE: Changes can be made to Fabric Selector setting up until the first fill is complete.**

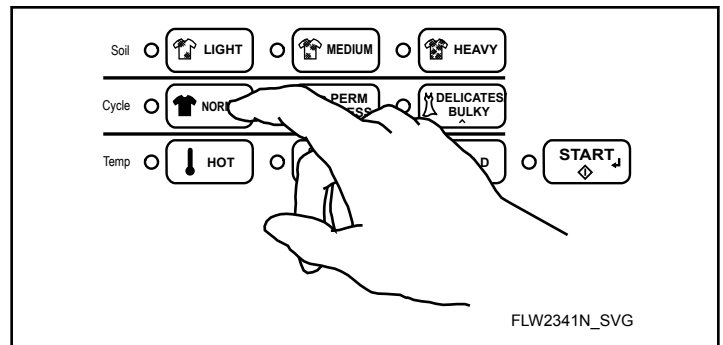


Figure 38

### Set Wash Temperature

1. Push touchpad for HOT, WARM or COLD.
2. Light indicates selection.

**NOTE: Always follow manufacturer's care labels.**

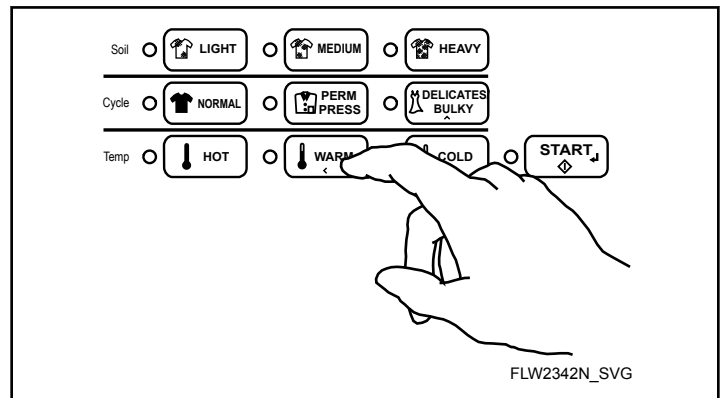


Figure 39

### Set Soil Level

1. Push Soil Level touchpad to select LIGHT, MEDIUM or HEAVY.
2. LED light indicates selection.

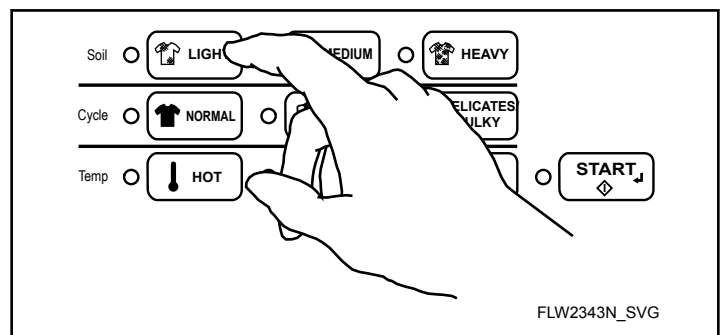


Figure 40

### Insert Coins or Card

#### To Insert Coins

1. Insert coin(s) in coin slot.

2. Check pricing as seen on digital display.

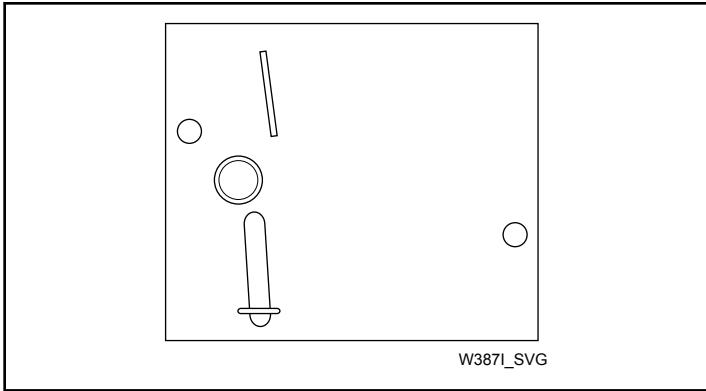


Figure 41

**To Insert Card**

Insert card into opening.

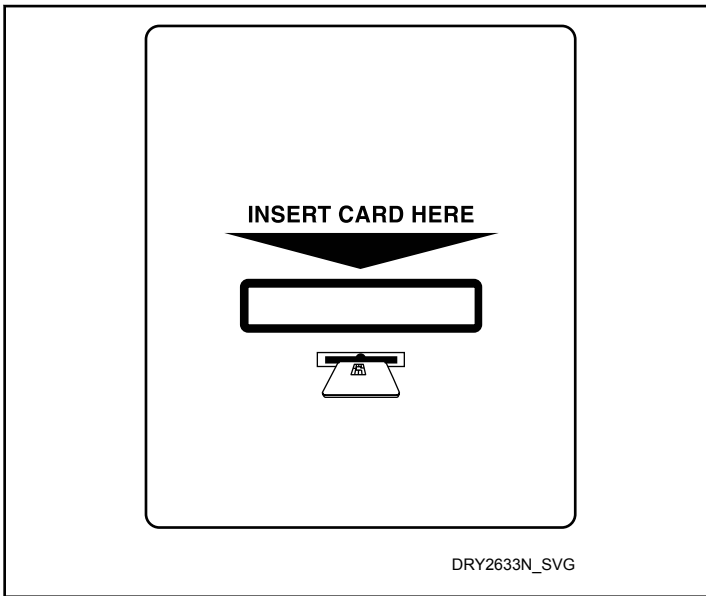


Figure 42

**Start Washer**

1. After vend price has been satisfied, push the START pad.
2. Door must be closed to start washer.

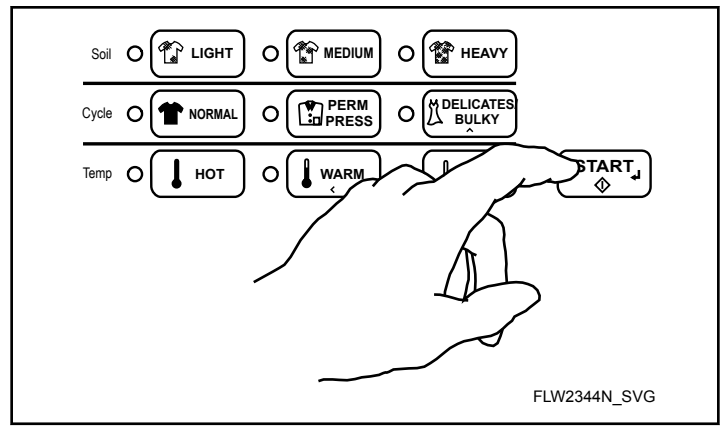


Figure 43

**Indicator Lights**

|                   |   |
|-------------------|---|
| INSERT COINS/CARD | INSERT COINS/CARD is lit to prompt the user to insert coins or card to satisfy the vend price. When INSERT COINS/CARD is lit, the digits show the vend price remaining to be satisfied. |
| WASH              | WASH is lit during the WASH portions of the cycle.  |
| RINSE             | RINSE is lit during the RINSE portions of the cycle.  |
| SPIN              | SPIN is lit during the final spin portion of the cycle.   |
| DOOR              | DOOR is lit whenever the door is locked. The door cannot be opened when this light is on.   |
| START             | START flashes one second on and one second off when the full vend price has been satisfied.   |

**IMPORTANT:** If washer fails to operate properly after installation, make sure electrical service and water supply faucets are turned on. Are all the controls properly set? Have a qualified service person refer to the wiring diagram (located inside of washer control cabinet) and check for broken, loose or incorrect wiring.

**NOTE:** Once a cycle has started, the door can only be opened by first unplugging the power cord and waiting one minute.

|  |                |
|--|----------------|
|  | <b>WARNING</b> |
| <p>To reduce the risk of bodily injury, do not remove laundry from washer until all lights are out, and all moving parts have stopped.</p> |                |
| W092   |                |

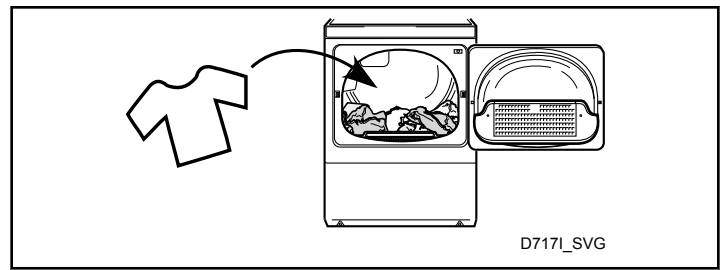


Figure 45

## Operation Instructions for Dryers

|   |                |
|---|----------------|
|   | <b>WARNING</b> |
| <p>To reduce the risk of fire, electric shock, or injury to persons, read the <b>IMPORTANT SAFETY INSTRUCTIONS</b> before operating this appliance.</p> |                |
| W727  |                |

### Close Loading Door

1. Close loading door.
2. Dryer will not operate with the door open.

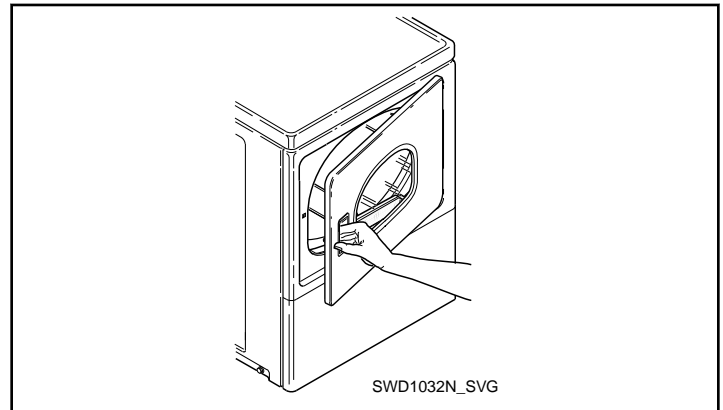


Figure 46

**IMPORTANT:** Before using dryer for the first time, use an all-purpose cleaner, or a detergent and water solution, and a damp cloth to remove shipping dust from inside of dryer drum.

**IMPORTANT:** Remove all sharp objects from laundry to avoid tears and rips to items during normal machine operation.

**IMPORTANT:** Remove all objects from pockets such as lighters and matches.

### Clean Lint Filter

Clean lint filter before each use.

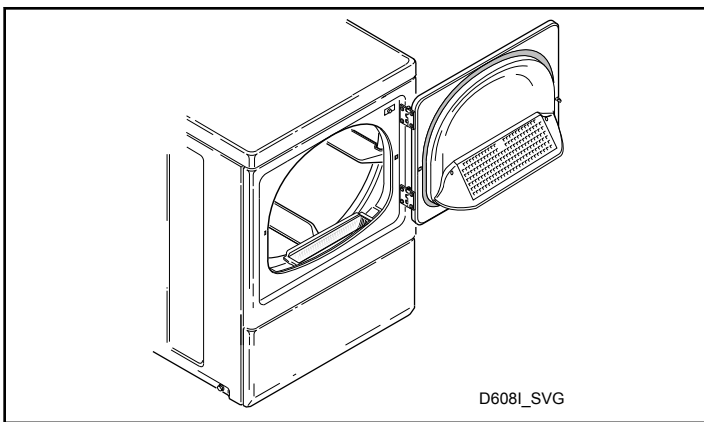


Figure 44

### Determine Proper Controls

The direction of the arrow indicates which control is for which unit.

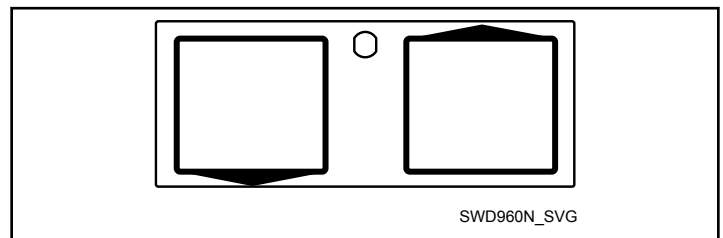


Figure 47

### Load Laundry

1. Load clothes loosely into dryer drum (18.0 lbs. [8.2 Kg] maximum dry clothes load).
2. Add fabric softener sheet if desired.

**IMPORTANT:** To avoid damage to dryer, do not use more than one fabric softener sheet per load.

### Set Fabric Selector

Select HIGH TEMP, MED TEMP, LOW TEMP, DELICATES or NO HEAT by pushing touchpad.

**NOTE:** Always follow manufacturer's care labels.



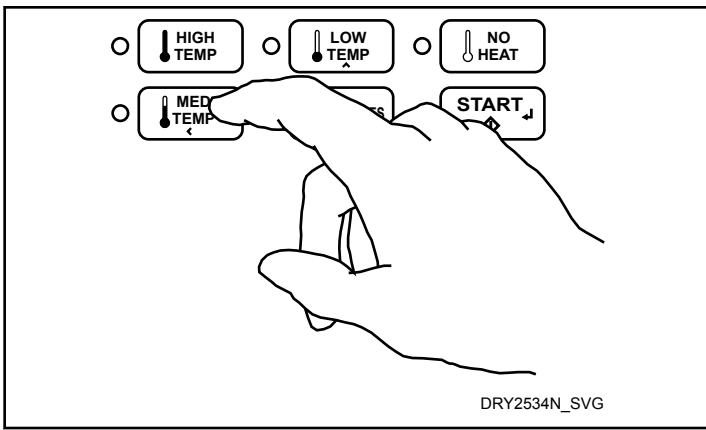


Figure 48

**Insert Coins or Card**

*To Insert Coins*

1. Insert coin(s) in coin slot.
2. Check pricing as seen on digital display.

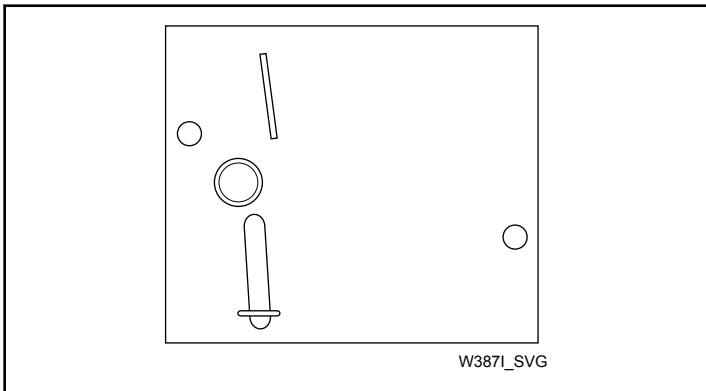


Figure 49

*To Insert Card*

Insert card into opening.

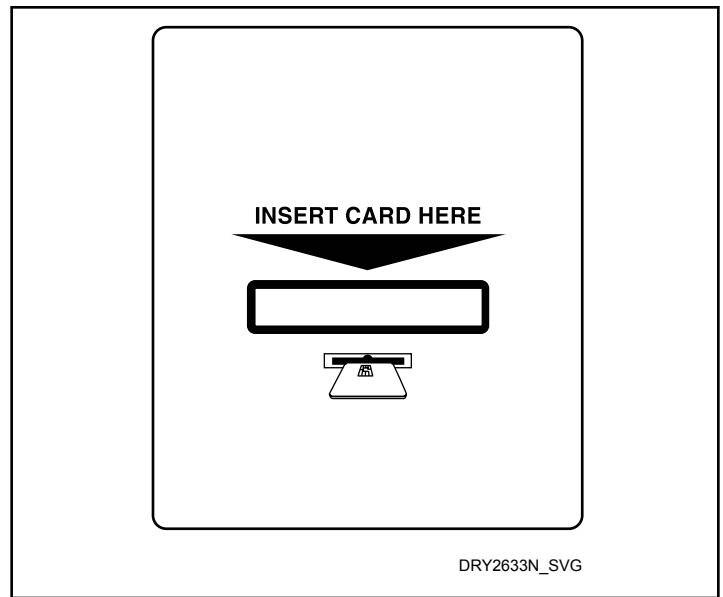


Figure 50

**Start Dryer**

1. To start dryer, push START pad.
2. To stop dryer at any time, open the door.
3. To restart the dryer, close door and push START pad. Cycle is completed when time remaining reaches 00 minutes.

If Additional Time Feature is turned on, additional dryer time may be purchased at cycle start or while dryer is running.

Remove knits when slightly damp because overdrying may cause shrinkage. Do not tumble dry knit woolens.

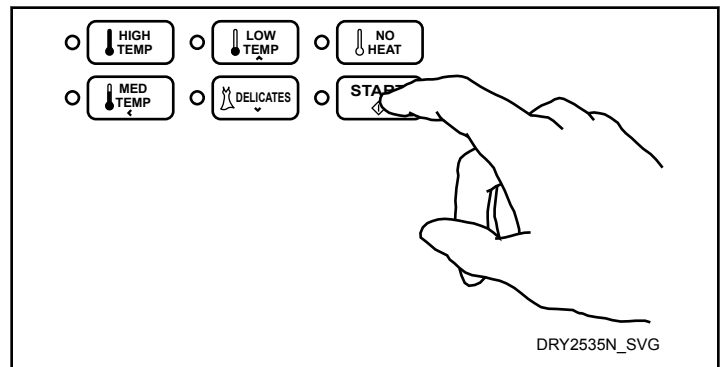



Figure 51

**IMPORTANT:** The final part of dryer cycle occurs without heat (cool down cycle) to ensure that items in dryer are left at a temperature that ensures that the items will not be damaged.

|  |                                     |
|--|-------------------------------------|
|   | <h2 style="margin: 0;">WARNING</h2> |
| <p><b>To prevent the risk of fire, never stop a dryer before the end of the drying cycle unless all items are quickly removed and spread out so that the heat is dissipated.</b></p> |                                     |
| <p>W756</p>  |                                     |

**NOTE: This machine includes an extended tumble feature. Starting 20 minutes after a cycle ends, the cylinder will tumble for two minutes every hour without heat, up to 18 hours or until door is opened.**

**Indicator Lights**

|                          |  |
|--------------------------|--|
| <p>INSERT COINS/CARD</p> | <p>INSERT COINS/CARD is lit to prompt the user to insert coins or a card to satisfy the vend price. When INSERT COINS/CARD is lit, the three digits will display the vend price remaining to be satisfied.</p>               |
| <p>START</p>             | <p>START is lit whenever the dryer is not in a cycle, the full vend price has been satisfied and the dryer door is closed. When the START pad is pressed, the cycle will begin or resume.</p>                                |
| <p>DRYING</p>            | <p>DRYING is lit to indicate that one of the heated cycles (HIGH TEMP, MED TEMP, LOW TEMP or DELICATES) is currently in operation. DRYING will turn off at the end of a heated cycle or when the COOL DOWN cycle begins.</p> |
| <p>COOL DOWN</p>         | <p>COOL DOWN is lit whenever the COOL DOWN portion of a heated cycle is active. It is also lit when the NO HEAT cycle is in operation.</p>   |

# Maintenance

## User-Maintenance Instructions

### Lubrication

All moving parts are sealed in a permanent supply of lubricant or are equipped with oilless bearings. Additional lubrication will not be necessary.

### Cold Weather Care

If the unit is delivered on a cold day (below freezing), or is stored in an unheated room or area during the cold months, do not attempt to operate the washer until it has had a chance to warm up. Water from the previous cycle may remain.

### Extended Non-Use

**IMPORTANT: To avoid possible property damage due to flooding, turn off the water supply to the washer whenever there will be an extended period of non-use.**

Leave the loading door and dispenser drawer open during extended periods of non-use to allow the wash drum and drawer to dry out and avoid a musty smell.

### Care of Your Washer

Use only a damp or sudsy cloth for cleaning the control panel. Some cleaning products may harm the finish on the control panel or damage the interior. **DO NOT** use products that contain alcohol on the control panel. Wipe the panel dry after cleaning.

Wipe the washer cabinet as needed. If detergent, bleach or other washing products are spilled on the cabinet, wipe immediately. Some products will cause permanent damage if spilled on the cabinet.

Do not use scouring pads or abrasive cleansers on control panel or cabinet.

The wash drum will need no particular care although it may need rinsing or wiping after an unusual load has been washed.

The outside of the door window can be cleaned with household window cleaner.

Leave the door and dispenser drawer open slightly when not in use. This will help keep them dry and prevent musty smells.

Running an occasional rinse cycle with bleach will help to avoid a musty smell in the wash drum.

### Cleaning Glass Sealing Area

In order to assure that the door properly seals against water leaks, the following surfaces should be wiped off periodically:

- The outside perimeter of the door glass where the seal contacts the glass
- The front surface of the door seal lip

Usually a mild soap solution will work. If there is an extreme build-up of minerals from a hard water supply, the surfaces may need to be cleaned with a lime removal chemical.

### Replacing Hoses

Hoses and other rubber parts deteriorate after extended use. Hoses may develop cracks, blisters or material wear from the temperature and constant high pressure they are subjected to.

All hoses should be checked on a monthly basis for any visible signs of deterioration. Any hose showing the signs of deterioration listed above should be replaced immediately. All hoses should be replaced every five years.

### Filter Screens

Check the filter screens in the fill hoses for debris or damage every six months. Clean or replace them if necessary.

If the washer is filling with water slower than normal, check the filter screens. Clean or replace them if necessary.

Order filter screen Part No. 803615 from the nearest authorized parts distributor.

### Cleaning Foreign Object Trap

The washer's pump has a trap that may collect foreign objects. The trap may need to be cleaned if water is draining slower than usual. To clean:

1. Disconnect washer from electrical supply.
2. Remove two screws at bottom of the front access panel.
3. Rotate bottom of panel out and remove panel.  
**NOTE: The pump may have some water in it. Use a rag or a container to catch water. If the wash drum is full of water, use a wet/dry shop vacuum to catch the water.**
4. With rag or vacuum ready, unscrew the cap on the left side of the pump and remove trap.
5. Clean the debris from the trap.
6. Reinstall the trap and access panel.
7. Reconnect washer to electrical supply.

### Care of Your Dryer



## WARNING

**To reduce the risk of an electric shock, serious injury or death, disconnect the electrical service to the dryer before cleaning the interior.**

W132

### Dryer Interior

Wipe the surfaces using a soft cloth and household cleaner or a non-abrasive paste of powdered laundry detergent and hot water, followed by a short heat cycle with a load of rags.

To remove crayon or ball point ink off the dryer drum, put the heat on high and use old rags in the dryer to absorb the crayon or ink. If unsuccessful, contact the appliance dealer. **DO NOT** use any chemicals in the dryer.

**IMPORTANT: The use of chlorine bleach for removing any discolorations should be avoided because bleach could damage the finish.**


### Cabinet


Wipe the dryer cabinet as needed. If detergent, bleach or other washing products have been spilled on the dryer, wipe immediately. Some products will cause permanent damage if spilled on the cabinet.

### Control Panel

Use only a damp or sudsy cloth for cleaning the control panel. Some spray pretreat products may harm the finish on the control panel. **DO NOT** use products that contain alcohol on the control panel.

### Exhaust System

|  |                |
|--|----------------|
|                           | <b>WARNING</b> |
| <b>To reduce the risk of electric shock, disconnect the electrical service to the dryer before cleaning.</b> |                |
| W043   |                |

|   |                |
|---|----------------|
|                          | <b>WARNING</b> |
| <b>Any disassembly requiring the use of tools must be performed by a suitably qualified service person.</b> |                |
| W299  |                |

The exhaust duct should be inspected after one year of use and cleaned if necessary by a qualified service person to remove any lint build-up. Inspect and clean exhaust duct every one to two years as required thereafter.

**NOTE: This recommended maintenance is not covered under the terms of the warranty.**

The weather hood should be checked frequently to make sure the dampers move freely, dampers are not pushed in and that nothing has been set against them.

Keep dryer area clear and free from combustible materials, gasoline and other flammable vapors and liquids.

Do not obstruct the flow of combustion and ventilation air.

**NOTE: Verify proper operation after servicing.**

### Lint Filter

**CLEAN THE LINT FILTER BEFORE DRYING EACH LOAD.** (Refer to *Figure 52* for lint filter location.) Cleaning the lint filter is important because a layer or pad of lint on the filter will block the flow of air through the dryer, thus reducing the efficiency of the dryer. The clothes will take longer to dry and energy will be wasted.

The lint filter may be washed if needed. Annually remove lint filter and screw to vacuum the duct under it.

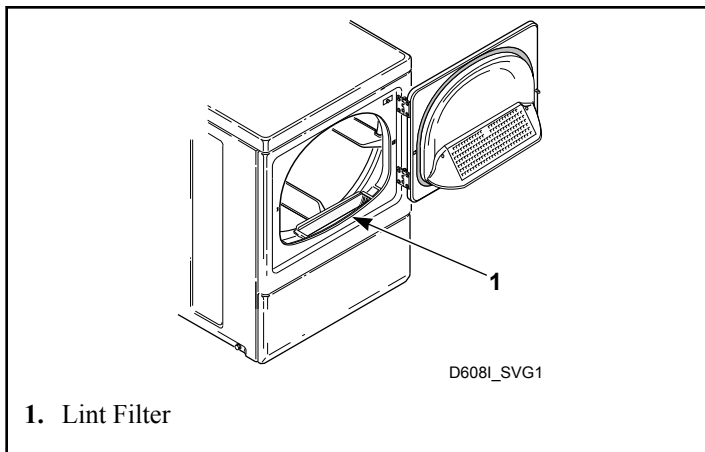


Figure 52

### Reinstallation of Shipping Materials

To prevent damage while moving the unit, the shipping materials **MUST** be reinstalled.

1. Disconnect washer from electrical supply.
2. Remove two screws at bottom of front access panel.
3. Rotate bottom of panel out and remove panel.
4. Attach shipping brace to weight and base using four bolts and washers. Refer to *Figure 53*.
5. Reinstall front access panel.
6. Go to rear of washer to install rear shipping bolt, washer, spacer assemblies.
7. Insert shipping bolt assemblies into each shipping bolt hole. Refer to *Figure 54*.
8. Tighten bolt while pressing washer against rear panel to ensure spacer is fully inserted.

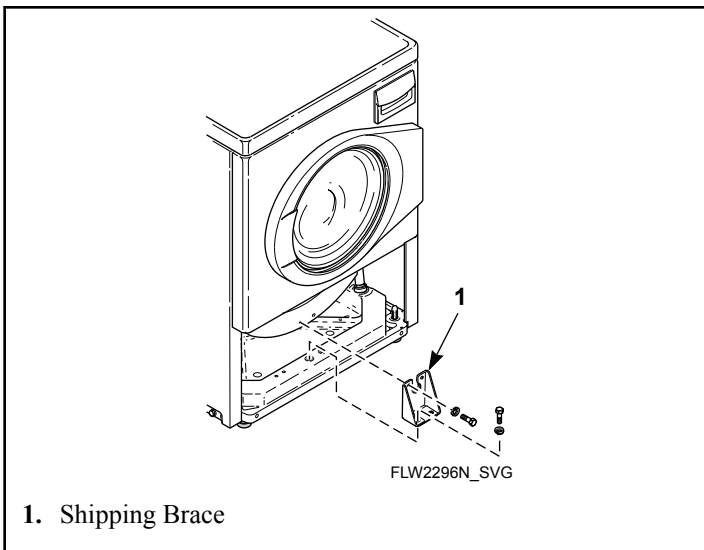


Figure 53

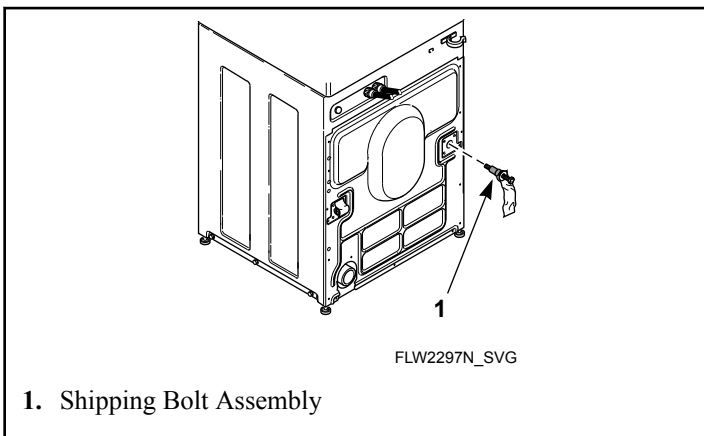


Figure 54

- Do not open the door during the drying cycle.
- Plan to do your laundry on low humidity days; your clothes will dry faster.
- Should you plan to dry several loads, do them one after another, then you do not have to reheat the dryer unit's interior parts each time.

## Motor Overload Protector

The dryer's motor overload protector stops the motor automatically in the event of an overload. After cooling, the overload protector will reset itself. Dryer can be restarted by pressing the START pad. If overload protector cycles again, remove the dryer from use and call the service person to correct the problem.

## For Energy Conservation

- Make sure the lint filter is always clean.
- Do not overload dryer.
- Do not overdry clothes.
- Remove items to be ironed while still damp.
- Large loads of similar fabrics dry the most efficiently. However, dry permanent press in smaller loads to prevent wrinkling.
- Use the correct temperature FABRIC SELECTOR setting for the type of fabric being dried.
- Locate your dryer so the exhaust duct is as short and straight as possible.

# Troubleshooting

Try these troubleshooting tips before making a service call. They may save you time and money.

| Washer Symptom            | Possible Cause/Solution  |
|---------------------------|--|
| Won't Fill                | <ul style="list-style-type: none"> <li>• Make sure power cord is plugged all the way into the electrical outlet.</li> <li>• Check the laundry room fuse or circuit breaker.</li> <li>• Make sure that the controls are properly set.</li> <li>• Press START keypad.</li> <li>• Make sure that the loading door is closed tightly.</li> <li>• Make sure hot and cold water faucets are turned on.</li> <li>• Make sure that the fill hoses are not kinked or twisted.</li> <li>• Clean the screens in the water mixing valve and the filter screens located at the faucet end of the fill hoses.</li> </ul> |
| Won't Start               | <ul style="list-style-type: none"> <li>• Make sure power cord is plugged all the way into the electrical outlet.</li> <li>• Check the laundry room fuse or circuit breaker.</li> <li>• Make sure that the controls are properly set.</li> <li>• Press START keypad.</li> <li>• Make sure that the loading door is closed tightly.</li> <li>• Insert coin(s) or card.</li> <li>• Make sure door latch is properly adjusted relative to door lock.</li> </ul>  |
| Won't Spin/Tumble         | <ul style="list-style-type: none"> <li>• Make sure power cord is plugged all the way into the electrical outlet.</li> <li>• Check the laundry room fuse or circuit breaker.</li> <li>• Make sure that the controls are properly set.</li> <li>• Press START keypad.</li> <li>• Make sure that the loading door is closed tightly.</li> <li>• Broken drive belt. Call the service person.</li> <li>• Foreign object trap in pump may be clogged. Clean the trap. Refer to Maintenance section.</li> </ul>   |
| Stops/Pauses During Cycle | <ul style="list-style-type: none"> <li>• Pauses are part of the washer's normal operation.</li> <li>• Check the laundry room fuse or circuit breaker.</li> <li>• Wash load may be unbalanced. Washer will stop and then restart spin automatically.</li> </ul>   |
| Won't Drain               | <ul style="list-style-type: none"> <li>• Make sure drain hose is not kinked or twisted.</li> <li>• Make sure drain hose is not clogged.</li> <li>• Make sure drain receptacle is not clogged.</li> <li>• Refer to the Installation instructions to make sure that the drain hose has been properly installed.</li> <li>• Foreign object trap in pump may be clogged. Clean the trap. Refer to Maintenance section.</li> </ul>  |

*Table continues...*

| Washer Symptom          | Possible Cause/Solution  |
|-------------------------|--|
| Water Leaks             | <ul style="list-style-type: none"> <li>• Check that fill hoses are properly installed on the faucets and the washer's water mixing valve.</li> <li>• Check the condition of the fill hoses. Replace fill hoses every five years.</li> <li>• Make sure drain receptacle is not clogged.</li> <li>• Check laundry room plumbing.</li> <li>• Check the condition of the rubber door gasket for tears or holes.</li> <li>• Laundry load may be oversudsing. Make sure you are using low-sudsing, high efficiency (HE) detergent.</li> <li>• Laundry load may be overloaded. Make sure you are using proper load sizes.</li> <li>• Make sure outside perimeter of the door glass where seal contacts glass is clean.</li> </ul> |
| Too Many Soap Suds      | <ul style="list-style-type: none"> <li>• Laundry load may be oversudsing. Make sure you are using low-sudsing, high efficiency (HE) detergent.</li> <li>• Make sure you are using the amount of detergent recommended on the detergent's label. If using non-HE detergent, use only 1/2 of the detergent manufacturer's recommended amount.</li> <li>• Laundry load may be overloaded. Make sure you are using proper load sizes.</li> </ul>   |
| Vibrates/Moves Slightly | <ul style="list-style-type: none"> <li>• Make sure washer is level. Uneven leveling can cause vibration.</li> <li>• Make sure washer is installed on a solid, sturdy and level floor. The washer should not be installed on carpeting, soft tile, a platform or other weakly supported structures.</li> <li>• Make sure rubber feet are installed on all four leveling legs. Refer to Position and Level the washer.</li> </ul>  |
| Is Noisy                | <ul style="list-style-type: none"> <li>• Make sure washer is level. Uneven leveling can cause vibration.</li> <li>• Some sounds may be a part of normal operation for a frontload washer, such as clicking noise when door locks and clicking noise from balance ring during agitate part of cycle.</li> </ul>   |
| Load is too Wet         | <ul style="list-style-type: none"> <li>• Wash load may be unbalanced. The washer may have limited the spin speed to prevent damage to the machine. Redistribute the load.</li> <li>• Load is too small. Add items to make full load.</li> </ul>  |
| Wrong Water Temperature | <ul style="list-style-type: none"> <li>• Make sure that the controls are properly set.</li> <li>• Check fill hoses. Make sure hot faucet hose is connected to hot mixing valve (indicated with "H" on the valve bracket) and cold faucet is connected to cold mixing valve (indicated with "C" on the valve bracket).</li> <li>• Make sure laundry room water heater is adjusted properly.</li> </ul>  |

| Dryer Symptom                            | Possible Cause/Solution   |
|--|---|
| Dryer won't start                        | <ul style="list-style-type: none"> <li>• Insert coin(s) or card, if required.</li> <li>• For dryers equipped with a power cord, make sure the power cord is plugged all the way into the electrical outlet.</li> <li>• Make sure loading door is closed.</li> <li>• Press START pad.</li> <li>• Make sure the laundry room fuse(s) isn't blown or loose, or circuit breakers aren't open.</li> <li>• The dryer itself does not have an electrical fuse. An electric dryer has an electrical circuit with two fuses.</li> <li>• Check if motor overload protector has cycled. Wait 10 minutes and try again.</li> </ul>          |
| Dryer won't heat                         | <ul style="list-style-type: none"> <li>• Make sure the laundry room fuse(s) isn't blown or loose, or circuit breakers aren't open.</li> <li>• The dryer itself does not have an electrical fuse. An electric dryer has an electrical circuit with two fuses.</li> <li>• Make sure controls are in a HEAT setting.</li> <li>• Gas dryer only – Make sure equipment and main gas line valve is turned on.</li> <li>• Check exhaust duct to outside to see if it is kinked, blocked or needs cleaning.</li> <li>• Check weather hood to make sure flapper moves freely, has not been pushed in or has not been blocked.</li> </ul> |
| Dryer doesn't dry clothes satisfactorily | <ul style="list-style-type: none"> <li>• Check exhaust duct to outside to see if it is kinked, blocked or needs cleaning.</li> <li>• Check weather hood to make sure flapper moves freely, has not been pushed in or has not been blocked.</li> <li>• Clean the lint filter.</li> <li>• Make sure the load isn't too small. Small loads may not tumble properly or dry evenly.</li> <li>• Check load being dried. Heavy items dried with lightweight items will not dry as quickly as the rest of the load.</li> </ul>  |
| Dryer is noisy                           | <ul style="list-style-type: none"> <li>• Check dryer for foreign objects (nails, coins, bobby pins, metal, plastic toys, etc.). Remove items from dryer.</li> <li>• Make sure dryer is level. Uneven leveling can cause vibration.</li> <li>• Normal operating sounds include the heat source going on and off and the humming of air moving through the dryer and exhaust system.</li> </ul>   |
| Clothes are too wrinkled                 | <ul style="list-style-type: none"> <li>• Check heat setting. Overdrying can cause wrinkling.</li> <li>• Check load size. Large loads may not tumble properly and may cause wrinkling.</li> </ul>  |

*Table continues...*



| Dryer Symptom     | Possible Cause/Solution   |
|-------------------|---|
| Clothes have odor | <ul style="list-style-type: none"> <li>• Check room for odors before drying clothes. Any odor (fried foods, paint, varnish, cleaners, burning wood, etc.) will transfer to clothing as the dryer draws air from the room.</li> <li>• Ventilate room before drying clothes.</li> </ul> |

# Contact Information

If service is required, contact the nearest Factory Authorized Service Center.


If you are unable to locate an authorized service center or are unsatisfied with the service performed on your unit, contact:

**Alliance Laundry Systems**  
**Shepard Street**  
**P.O. Box 990**  
**Ripon, WI 54971-0990**  
**U.S.A.**  
**www.alliancelaundry.com**  
**Phone: +1 (920) 748-3121**

When calling or writing about your unit, PLEASE GIVE THE MODEL AND SERIAL NUMBERS. The model and serial numbers are located on the serial plate. The serial plate will be in the location shown in *Figure 55*.

|               |  |
|---------------|--|
| Model Number  |  |
| Serial Number |  |

Please include a copy of your bill of sale and any service receipts you have.

|   |                |
|---|----------------|
|    | <b>WARNING</b> |
| <p><b>To reduce the risk of serious injury or death, DO NOT repair or replace any part of the unit or attempt any servicing unless specifically recommended in the user-maintenance instructions or in published user-repair instructions that you understand and have the skills to carry out.</b></p> |                |
| W329  |                |

|                |  |
|----------------|--|
| Date Purchased |  |
|----------------|--|

*Table continues...*

If replacement parts are required, contact the source from where you purchased your unit or call +1 (920) 748-3950 for the name and address of the nearest authorized parts distributor.

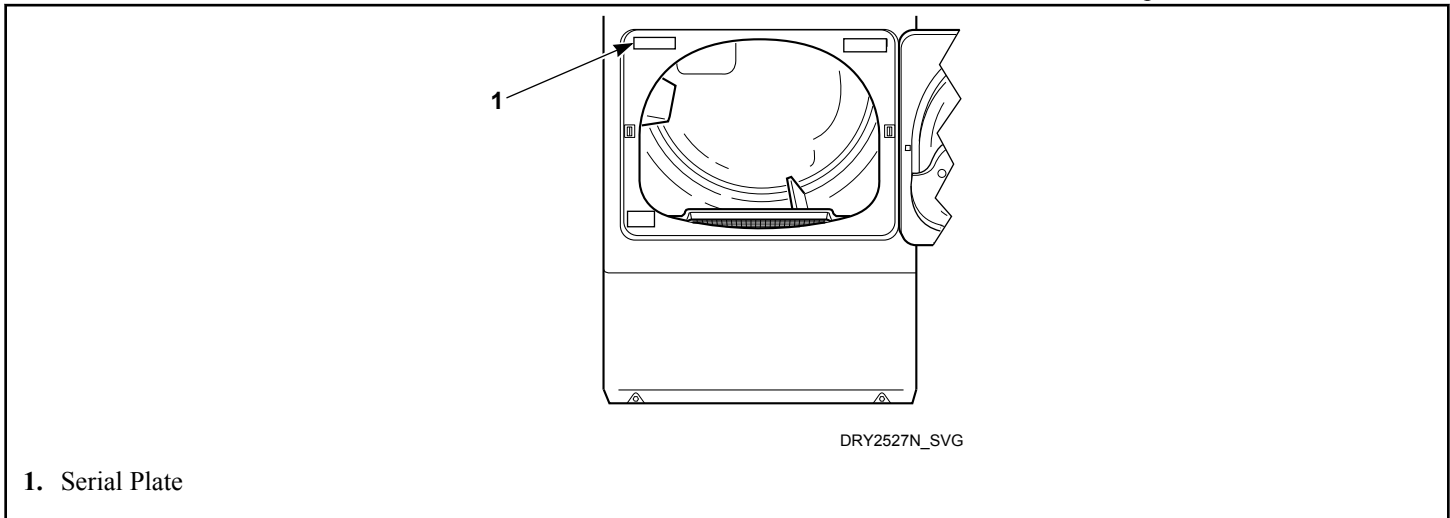
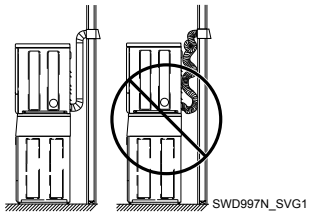
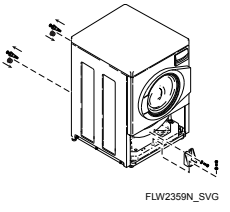
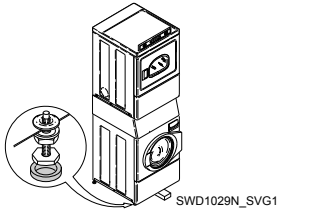
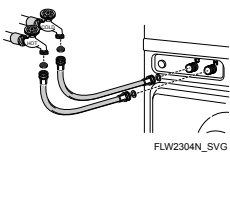
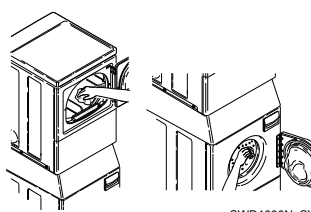
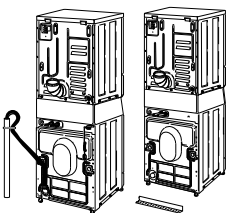
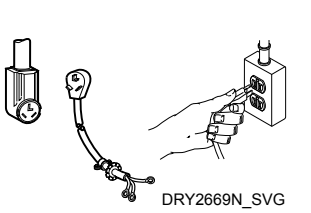
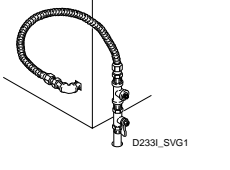
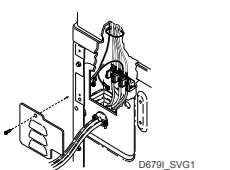


Figure 55

# Installer Checklist

## Fast Track for Installing the Stacked Washer/Dryer

|   |   |   |    |   |   |
|---|---|---|----|---|---|
| 1 | Position Unit Near Installation Area.   |   | 7  | Connect Dryer Exhaust System.                                   |    |
|   | CHECK   |   |    | CHECK   |   |
| 2 | Remove the Shipping Materials and Install Plugs.  |    | 8  | Position and Level the Washer.                                  |    |
|   | CHECK   |   |    | CHECK   |   |
| 3 | Connect Fill Hoses.   |    | 9  | Wipe Out Inside of Washer and Dryer Drums.                      |    |
|   | CHECK   |   |    | CHECK   |   |
| 4 | Connect Drain Hose to Drain Receptacle or Drain Outlet to Drain System.   |  | 10 | Plug In Washer and Dryer.                                       |  |
|   | CHECK   |   |    | CHECK   |   |
| 5 | <p><b>GAS ONLY</b></p> <ul style="list-style-type: none"> <li>Connect Gas Supply Pipe.</li> <li>Check for Gas Leaks.</li> </ul> |  | 11 | Recheck Steps.  |   |
|   | CHECK   |   |    | CHECK   |   |
| 6 | <p><b>ELECTRIC ONLY - Connect Electrical Cord</b></p>   |  | 12 | Start and Run Dryer in Heat Setting to Verify Dryer is Heating. |   |
|   | CHECK   |   |    | CHECK   |   |

Refer to the manual for more detailed information