

STC-1

Removable Decorative Drain Cover

Drain Cap Dimensions

Overall Dimensions: $\varnothing 6"$ x $1"$

Features

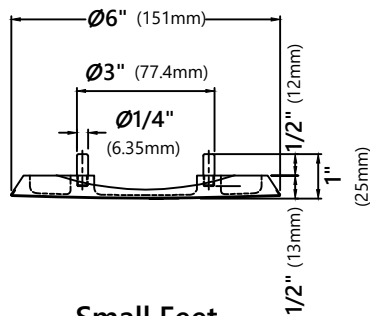
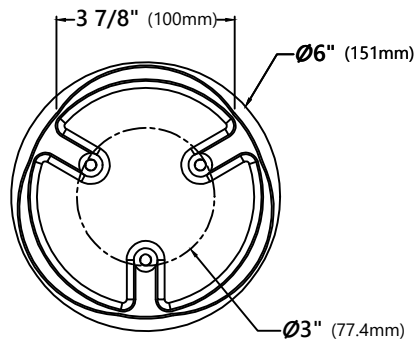
- Premium Stainless Steel Construction
- For Use with Dex™ kitchen sinks
- Allows Water to Drain Easily When Installed
- Conceals Garbage Disposal and Waste Fittings for a Seamless Look
- Interchangeable Feet for Different Drain Sizes



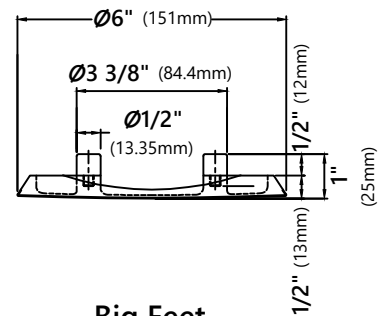
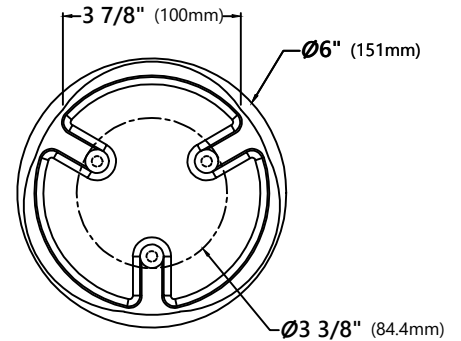
Warranty

Kraus 1 Year Limited Warranty

see website for details www.kraususa.com



Small Feet



Big Feet