



ST8649U

Fully integrated 24" dishwasher

EAN13: 8017709192150

Full size tub

Hidden electronic control panel

Accepts custom panel

Self-balancing door

10 wash cycles including Crystal washing,

Economy cycle and Speed

Sanitation

Condenser drying

Stainless steel tub and filter

Concealed heating element

Half flexible load

Delay timer (up to 9 hours)

5 temperatures: 100°F, 113°F, 122°F, 149°F, 158°F

Salt and Rinse Aid refill indicators

Orbital Wash system

Complete water Leak Protection System

13 place settings capacity

Silver baskets

Adjustable upper basket to accommodate plates up to 13 ¾" in diameter

Height adjustable upper basket on 3 levels

2 Cutlery baskets

Upper basket with central fixed racks

Lower basket with fixed racks

Noise level 49dB (A)

Energy star rated

Height leveling legs

Back feet adjustable from front

Voltage rating: 120V - 60Hz

Nominal power: 13 Amp - 1900W

Water usage: normal/short cycle: 3.54 / 1.72 gal.



AjMadison
Your Appliance Authority™
800-570-3355

Functions



Options

- **KIT860XU** - Stainless steel door panels with "Classic" style handle



SMEG U.S.A. INC.
A&D BUILDING
150 EAST 58th STREET, 7th FLOOR
NEW YORK, NY, 10155
Tel. +1 212 265 5378
Fax +1 212 265 5945



Delay Timer:



A standard feature on all Smeg dishwashers is a delay timer. This feature allows you to select the required wash program and delay the start of the cycle for up to a maximum of 12 hours. This way the dishwasher fits in with your schedule.

Energy Star and ISO14001 Certified:

The Smeg production process is carefully managed in order to keep the impact upon the environment as low as possible. The process is checked and certified by Independent International bodies IQNET and CISQ (Smeg complies with the standard ISO14001). All Smeg dishwashers are ENERGY STAR qualified. Energy efficiency is important to Smeg and our technicians are constantly working to keep the energy, and water, consumption of each dishwasher as low as possible. ENERGY STAR certified products use less water than conventional dishwashers, and approximately 40% less energy than the federal minimum standard for energy consumption. By choosing an ENERGY STAR certified product you are helping to preserve the environment without compromising on product quality or performance.



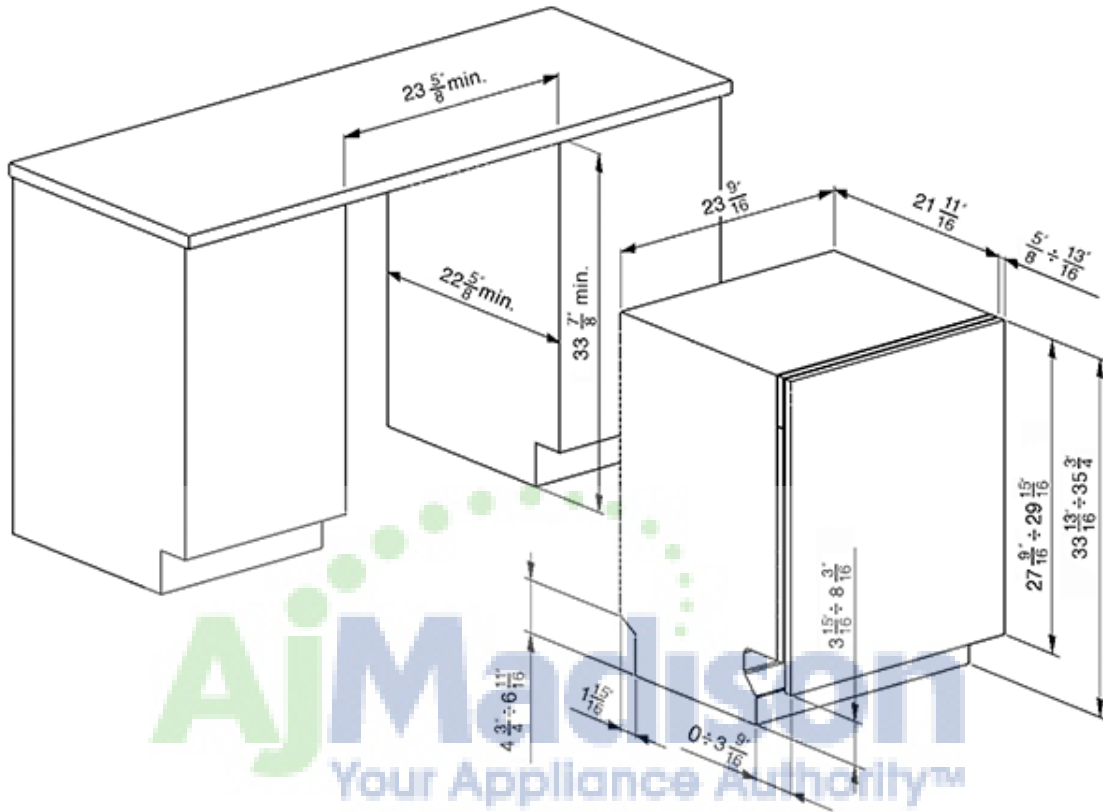
Sanitation:



Every dishwasher in the Smeg series has at least one wash program that incorporates a final sanitation rinse. A special final 10 minute rinse at 158°F is added to the end of certain programs to ensure the highest possible standards of cleanliness and hygiene. Smeg dishwashers are ETL sanitation certified.



Aj Madison
Your Appliance Authority™
800-570-3355



AjMadison
Your Appliance Authority™

800-570-3355