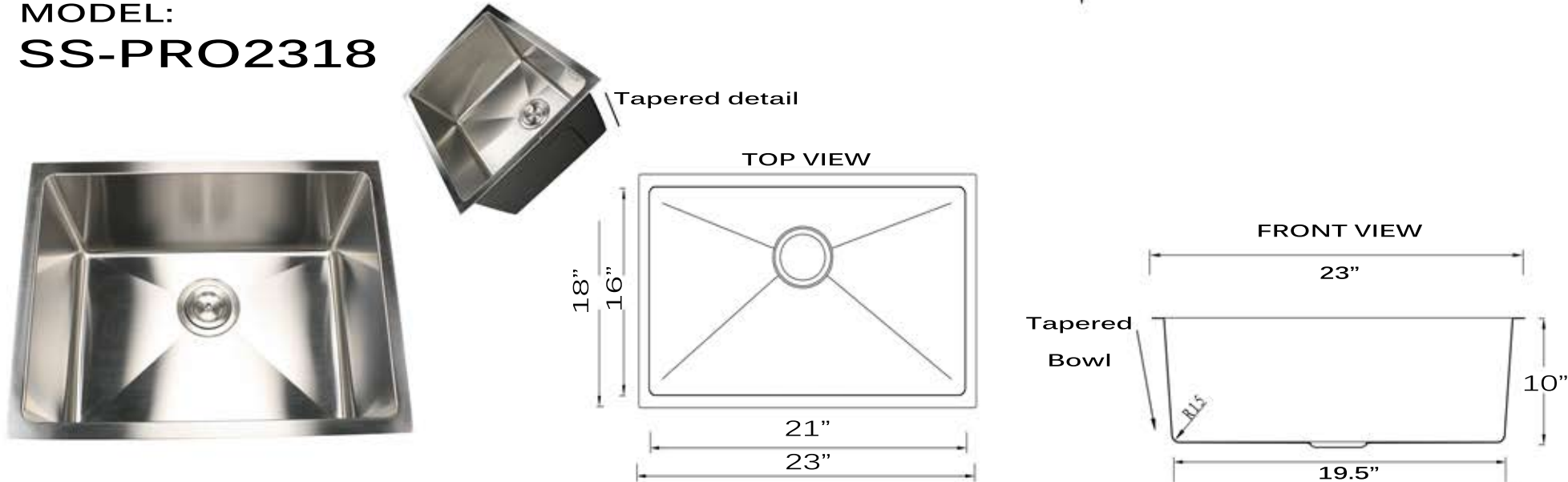


Pro Series Collection
Premium Stainless Steel
Small Radius Pro Undermount Kitchen Sink



MODEL:
SS-PRO2318



Overall Dimensions	Interior Bowl	Interior Bowl	Bowl Depth	Drain Opening
23" X 18"	Top Edge 21" x 16"	Bottom 19.5" x 14.75"	10"	3.5"

FEATURES

- Premium 304, 16 gauge Stainless Steel Kitchen Sink
 - Tapered interior bowl
 - 10" Bowl Depth
 - Brushed Satin Finish
 - Limited Lifetime Manufacturers Warranty
 - Insulated to Reduce Condensation
- Rubber Padding is Applied for Noise Reduction



PROJECT/ NAME:

ARCHITECT/CONTRACTOR:

MODEL:

JOB NOTES: