

18" Special Application Bar Handle Dishwasher SPX5ES55UC



Features and Benefits

Key Features

- 46 dBA- Quietest Brand
- ActiveTab™ Tray Optimizes Detergent Dissolving
- Water Softener Ensures Perfect Cleaning Results
- AquaStop® Plus 4-Part Leak Protection Works 24/7

Design

- Stainless Steel EuroTub
- Real Stainless Steel Fascia Panel
- Red Remaining Time Display

Performance

- 46 dBA- Quietest Brand
- InfoLight® Beams on Floor to Indicate Dishwasher is Running
- 4 Wash Cycles and 3 Options
- Sanitize Option eliminates bacteria and enhances drying results
- Variable Spray Pressure

- ActiveTab™ Tray Optimizes Detergent Dissolving
- Water Softener Ensures Perfect Cleaning Results

Efficiency

- 259 kwh/yr - Energy Star®
- Exceeds ENERGY STAR Requirements for Water by 68%
- EcoSense™ Reduces Energy Usage by up to 20%
- Half Load Option for small loads

Convenience

- AquaStop® Plus 4-Part Leak Protection Works 24/7
- Multi-Function LED with Remaining Time
- 24 h Delay Start Timer



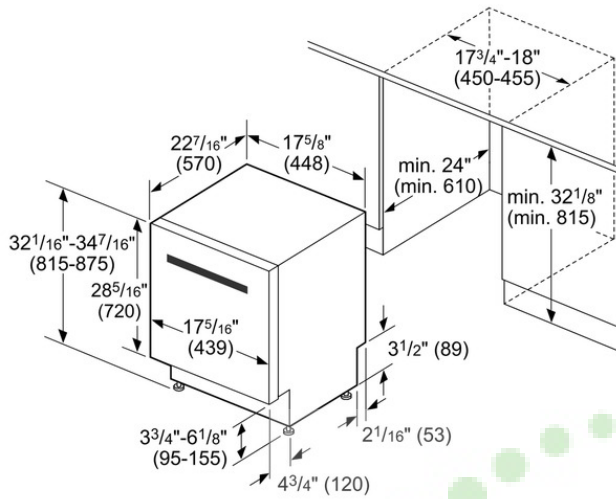
Notes: All height, width and depth dimensions are shown in inches. *Please refer to installation instructions prior to making cutout. BSH reserves the absolute and unrestricted right to change product materials and specifications, at any time, without notice. Consult the product's installation instructions for final dimensional data and other details. Applicable product warranty can be found in a accompanying product literature or you may contact your account manager for further details.

For more information on our entire line of products, go to boschappliances.com or call 1-800-944-2904.
Copyright ©2014 BSH Home Appliances Corporation. All rights reserved. Bosch is a registered trademark of Robert Bosch GmbH.

Litho Date: 01/2014



18" Special Application Bar Handle Dishwasher SPX5ES55UC

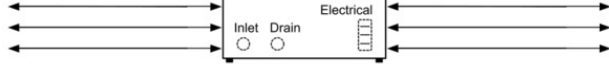


measurements in inches (mm)

Drain hose:
70 1/2" / 180 cm
(149 1/2" / 380 cm)

Water inlet hose:
55" / 140 cm
(141 1/2" / 360 cm)

Electrical junction box:
17 1/16" / 45 cm



Drain hose:
59" / 150 cm
(137 1/2" / 350 cm)

Water inlet hose:
47" / 120 cm
(133 1/2" / 340 cm)

Electrical junction box:
29 1/2" / 75 cm

All connections in the rear of the appliance.
() values with extension kit.

Features

Watts (W)	1300
Current (A)	12
Volts (V)	120
Frequency (Hz)	60
Power Cord Length	
Minimum Water Pressure (lb/sin)	
Length inlet hose (in)	
Length outlet hose (in)	
Overall appliance dimensions (HxWxD) (in)	32 1/16" x 17 5/8" x 22 7/16"
Required cutout size (HxWxD) (in)	32 1/16" x 17 3/4" x 24"
Adjustable feet	Yes

Technical Specification

Number of wash cycles	3
Number of options	4
Third Rack	
Tub material	Stainless steel
Concealed heating element	Yes
Leak protection system	24/7 Aqua Stop Plus
Five-level wash	Yes
Water softener	Yes
ChildLock	No
Total annual energy consumption (kWh)	259
Energy Efficiency Class	Tier 1
Energy Star® qualified	Yes
Total annual energy consumption (kWh)	645.0
Total annual water consumption (g)	645
Number of place settings	9

Notes: All height, width and depth dimensions are shown in inches. *Please refer to installation instructions prior to making cutout. BSH reserves the absolute and unrestricted right to change product materials and specifications, at any time, without notice. Consult the product's installation instructions for final dimensional data and other details. Applicable product warranty can be found in a accompanying product literature or you may contact your account manager for further details.

For more information on our entire line of products, go to boschappliances.com or call 1-800-944-2904.
Copyright ©2014 BSH Home Appliances Corporation. All rights reserved. Bosch is a registered trademark of Robert Bosch GmbH.

Litho Date: 01/2014

