

SPR626OS Series

34.0" x 23.63" x 23.5" (H x W x D)

Outdoor beverage centers for built-in use or freestanding use, with digital thermostats, LED lighting, and choice of stainless steel door and handle style

Highlights:

Durable construction for use in the outdoors

Flexible design allows built-in or freestanding use in 24" wide spaces

Stainless steel door offers a professional look

Choose from a variety of handle styles to create the perfect look

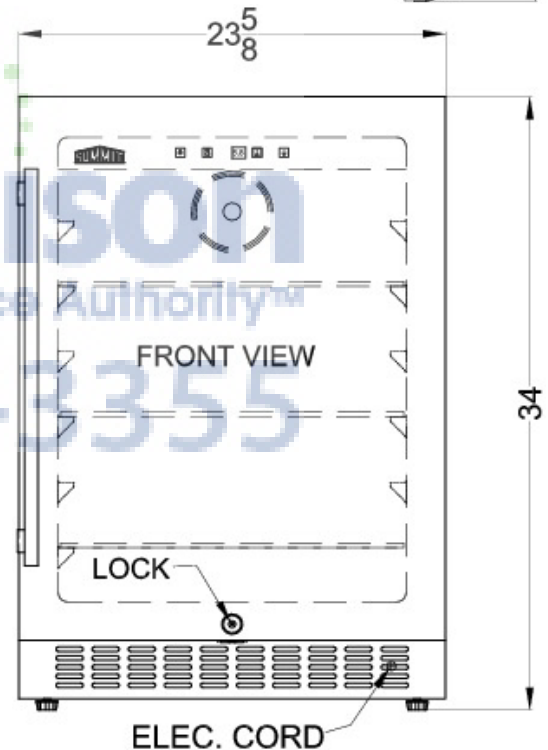
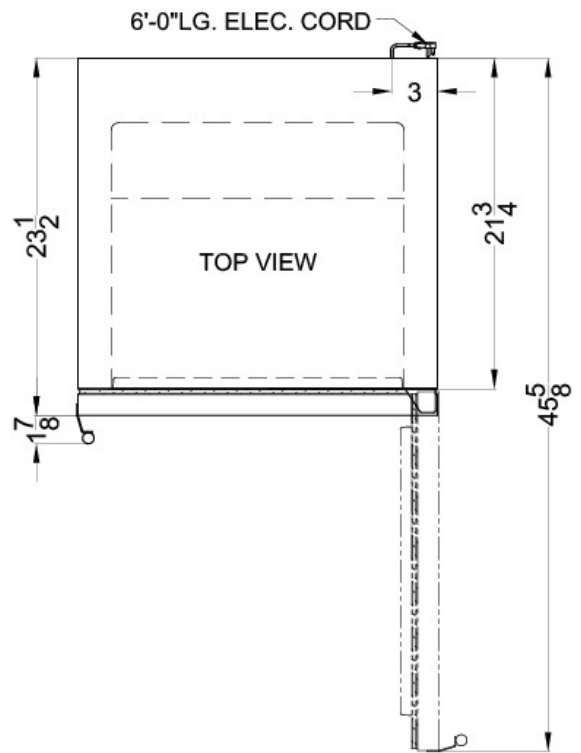


AjMadison
Your Appliance Authority™
800-570-3355

Built-in capable	Front-breathing design lets you make the best use of space by installing your appliance under the counter
Fully finished black cabinet	Allows the unit to be used freestanding in the outdoors
Stainless steel door	Durable construction with a professional look
Factory installed lock	Keyed lock for a secure interior
Professional handle	Includes a full-length pro handle in chrome; Pro stainless steel doors come with a choice in handle
Automatic defrost	Reduced maintenance with auto defrost system
Digital thermostat	Electronic controls located inside the unit for precise temperature management
Recessed LED light	Elegant lighting with a convenient on/off switch on the control panel
Adjustable glass shelves	Rearrange refrigerator space to accommodate all sizes or remove shelves for simple cleanup
Internal fan	Fan-forced cooling ensures the unit is evenly cooled from top to bottom

Specifications:

Height	34.0"
Width	23.63"
Depth	23.5"
Capacity	4.9 cu.ft.
Ext Depth with Handle	25.38"
Interior Height 1	24.0"
Interior Width 1	19.25"
Shipping Weight	100.0 lbs.
Weight	91.0 lbs.
Voltage/Frequency	115 V AC/60 Hz
Canadian Electrical Safety	ETL-C
US Electrical Safety	ETL
Energy Usage/Year	250.0 kWh/year
Amps	2.0
Door Swing	RHD
Shelf Quantity	3
Adjustable Shelf	true
Shelf Type	Glass
Defrost Type	Automatic
Depth with door at 90°	45.63"
Thermostat Type	Digital
Light	true
Fan Type	Interior and Exterior
Low Side PSI	105.0
High Side PSI	270.0
Freon Type	R134a
Freon Oz	2.05
Compressor Warranty	5 Years
Parts/Labor Warranty	1 Year



AjMadison
Your Appliance Authority™
800-570-8355

Summit Appliance Division, Felix Storch, Inc.
770 Garrison Ave • Bronx, NY 10474
Phone: 718-893-3900 • Fax: 718-842-3093
Email: info@summitappliance.com