



# SPFF51OSIFIM



34" x 23.63" x 23.5" (H x W x D)

Frost-free outdoor all-freezer for built-in or freestanding use with icemaker, panel-ready door, black cabinet, digital thermostat, and LED lighting

### Highlights:

Weatherproof construction allows safe use in the outdoors

True frost-free operation saves you maintenance by preventing icy buildup

Flexible design allows built-in or freestanding use in 24" wide spaces

Customizable door front accepts full overlay panels for a seamless look that can blend into cabinetry

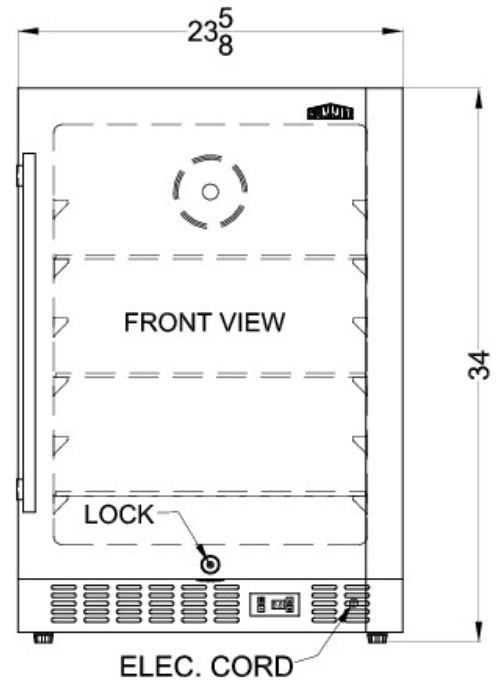
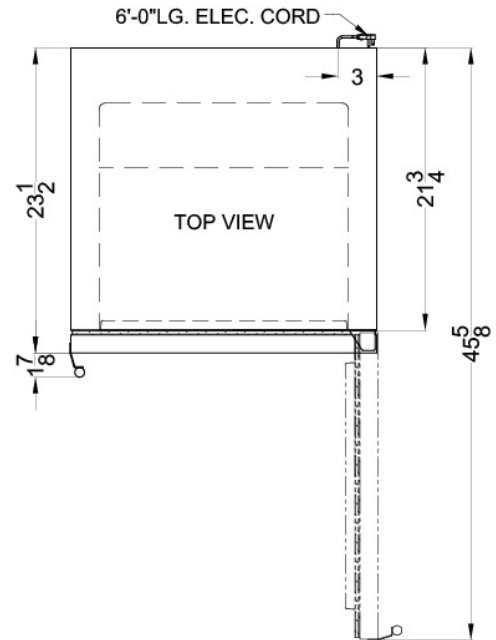
### Product Features:

|                            |   |
|----------------------------|---|
| Weatherproof design        | Designed and constructed for use in the outdoors  |
| Frost-free operation       | No-frost convenience eliminates the need to manually defrost the unit   |
| Built-in capable           | Make the best use of space by installing your freezer under the counter and flush with other cabinets   |
| Panel-ready door           | Integrated stainless steel door frame accepts full overlay panels, allowing you to customize the refrigerator door or blend it into your cabinetry design; panel size: 23 1/2" W x 30" H; customers provide their own handles |
| Digital thermostat         | Electronic controls offer easy and intuitive temperature management   |
| Factory installed icemaker | Produces a steady supply of ice for added entertaining convenience  |
| Recessed LED light         | Elegant lighting with an on/off switch located on the control panel   |
| Reversible door            | User reversible door swing for added placement flexibility  |
| Adjustable shelves         | Rearrange your freezer space to accommodate all shapes and sizes or remove shelves for a simple clean-up  |



## SPFF51OSIFIM Specifications:

| Overview                   |                       |
|----------------------------|-----------------------|
| Height                     | 34.0"                 |
| Width                      | 23.63"                |
| Depth                      | 23.5"                 |
| Depth with Handle          | 25.35"                |
| Depth with door at 90°     | 45.63"                |
| Capacity                   | 4.72 cu.ft.           |
| Defrost Type               | Frost-Free            |
| Door                       | Panel-Ready           |
| Cabinet                    | Black                 |
| US Electrical Safety       | ETL                   |
| Canadian Electrical Safety | ETL-C                 |
| Energy Usage/Year          | 474.0kWh/year         |
| Amps                       | 2.0                   |
| Voltage/Frequency          | 115 V AC/60 Hz        |
| Weight                     | 88.0 lbs.             |
| Shipping Weight            | 98.0 lbs.             |
| Parts & Labor Warranty     | 1 Year                |
| Compressor Warranty        | 5 Years               |
| Freezer                    |                       |
| Door Swing                 | RHD                   |
| Reversible                 | Yes                   |
| Shelf Type                 | Chrome                |
| Shelf Qty                  | 3                     |
| Adjustable Shelves         | Yes                   |
| Thermostat Type            | Digital               |
| Interior Light             | Yes                   |
| Fan Type                   | Interior and Exterior |
| Refrigerant Type           | R600a                 |
| Refrigerant Amount         | 1.24                  |
| High Side PSI              | 270.0                 |
| Low Side PSI               | 106.0                 |



SUMMIT APPLIANCE DIVISION FELIX STORCH, INC.

770 Garrison Avenue, Bronx, NY 10474 USA TEL 718-893-3900 FAX 844-478-8799

info@summitappliance.com



www.summitappliance.com