



SPFF51OSFRIM



34" x 23.63" x 23.5" (H x W x D)

Frost-free outdoor all-freezer for built-in or freestanding use with icemaker, panel-ready door, black cabinet, digital thermostat, and LED lighting

Highlights:

Weatherproof construction allows safe use in the outdoors

True frost-free operation saves you maintenance by preventing icy buildup

Stainless steel door frame accepts slide-in panels for a custom look

Flexible design allows built-in or freestanding use in 24" wide spaces

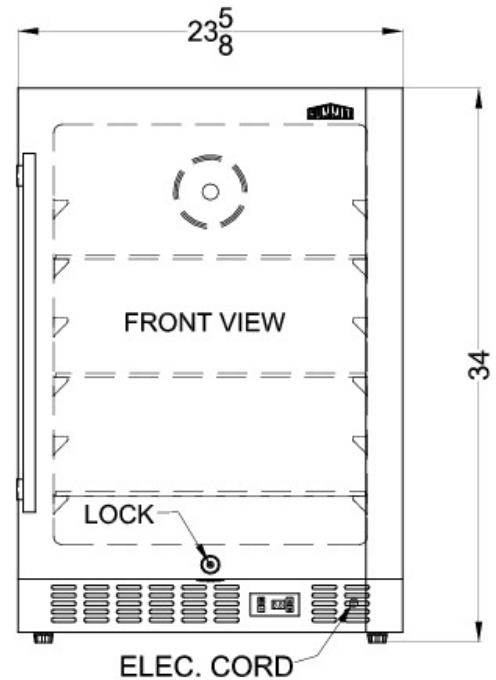
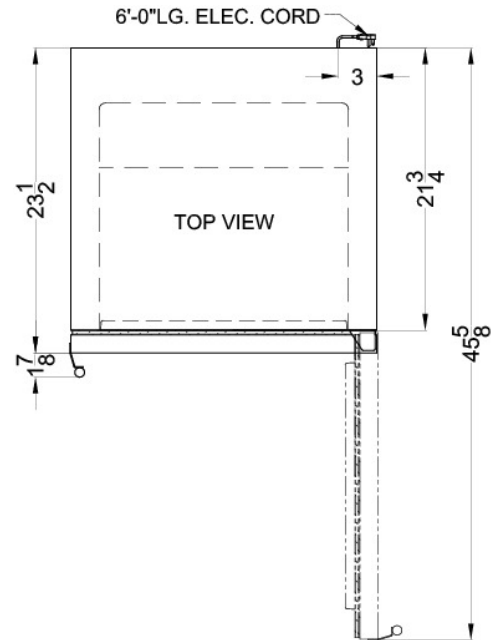
Product Features:

Weatherproof design	Designed and constructed for use in the outdoors
Frost-free operation	No-frost convenience eliminates the need to manually defrost the unit
Built-in capable	Make the best use of space by installing your freezer under the counter and flush with other cabinets
Stainless steel door frame	Two-piece U-shaped door frame in stainless steel accepts slide-in panels, allowing users to create a custom look to match or complement adjacent cabinetry (panel size: 29 3/4" H x 23" W)
Digital thermostat	Electronic controls offer easy and intuitive temperature management
Factory installed icemaker	Produces a steady supply of ice for added entertaining convenience
Recessed LED light	Elegant lighting with an on/off switch located on the control panel
Reversible door	User reversible door swing for added placement flexibility
Adjustable shelves	Rearrange your freezer space to accommodate all shapes and sizes or remove shelves for a simple clean-up



SPFF51OSFRIM Specifications:

Overview	
Height	34.0"
Width	23.63"
Depth	23.5"
Depth with Handle	25.35"
Depth with door at 90°	45.63"
Capacity	4.72 cu.ft.
Defrost Type	Frost-Free
Door	Panel-Ready
Cabinet	Black
US Electrical Safety	ETL
Canadian Electrical Safety	ETL-C
Energy Usage/Year	474.0kWh/year
Amps	2.0
Voltage/Frequency	115 V AC/60 Hz
Weight	88.0 lbs.
Shipping Weight	98.0 lbs.
Parts & Labor Warranty	1 Year
Compressor Warranty	5 Years
Freezer	
Door Swing	RHD
Reversible	Yes
Shelf Type	Chrome
Shelf Qty	3
Adjustable Shelves	Yes
Thermostat Type	Digital
Interior Light	Yes
Fan Type	Interior and Exterior
Refrigerant Type	R600a
Refrigerant Amount	1.24
High Side PSI	270.0
Low Side PSI	106.0



SUMMIT APPLIANCE DIVISION FELIX STORCH, INC.

770 Garrison Avenue, Bronx, NY 10474 USA TEL 718-893-3900 FAX 844-478-8799

info@summitappliance.com



www.summitappliance.com