



# BOSCH



Bosch  
 SPE5ES55UC  
 Built-under dishwasher, 45cm stainless

Predecessor:

Successor:

EAN code:  
 4242002692944

sales programme:

- 18" Special Application
- Recessed Handle Dishwasher
- SPE5ES55UC

**Key Features**

- 46 dBA- Quietest in its class
- ActiveTab™ Tray Optimizes Detergent Dissolving
- Water Softener Ensures Perfect Cleaning Results
- AquaStop® Plus 4-Part Leak Protection Works 24/7

**Design**

- Stainless Steel EuroTub
- Silver Painted Fascia in Stainless Steel
- Red Remaining Time Display

**Performance**

- 46 dBA- Quietest in its class
- 4 Wash Cycles and 3 Options
- Sanitize Option eliminates bacteria and enhances drying results
- Variable Spray Pressure
- ActiveTab™ Tray Optimizes Detergent Dissolving
- Water Softener Ensures Perfect Cleaning Results

**Efficiency**

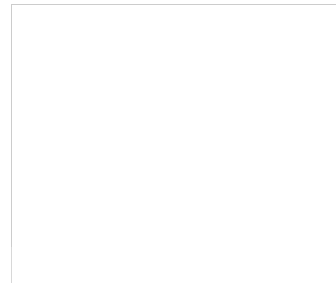
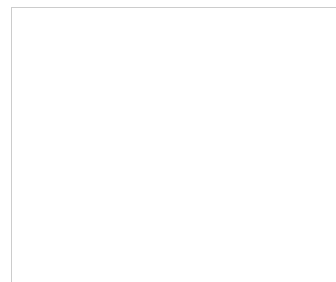
- 259 kwh/yr - Energy Star®
- Exceeds ENERGY STAR Requirements for Water by 68%
- EcoSense™ Reduces Energy Usage by up to 20%
- Half Load Option for small loads

**Convenience**

- AquaStop® Plus 4-Part Leak Protection Works 24/7
- Multi-Function LED with Remaining Time
- 24 h Delay Start Timer
- Rinse Cycle- Instead of PreRinsing

**Capacity**

- 9 Place Setting Capacity
- Premium Racks for Flexible Loading
- RackMatic® Automatically Adjustable Upper Rack
- Flexible Silverware Basket

**Included accessories****Optional accessories****Alternative colors available****Technical Data****Product Features**

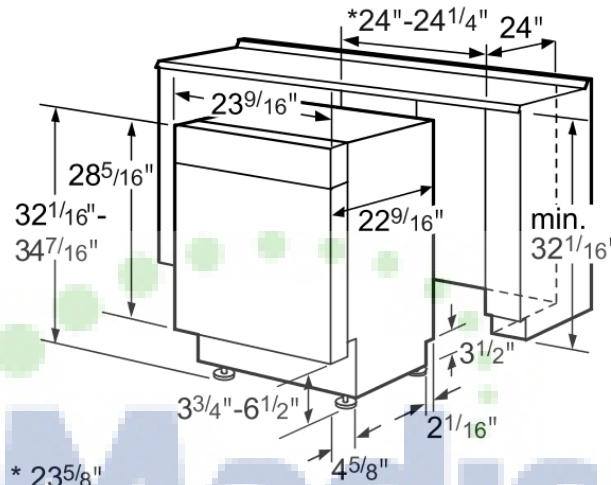
- Leak Protection System : 24/7 Aqua Stop Plus
- ChildLock : Yes
- Water softener : Yes
- Upper Rack : mid
- Adjustable upper rack : Rackmatic 3-stage
- Upper rack cup shelf : 2
- Lower Rack : mid
- 3rd Rack : no
- Silverware basket : Standard

**Consumption and connection features**

- UPC code : 825225802136
- Panel ready : No
- Silence level (dBA) : 46
- Watts (W) : 1300
- Current (A) : 12
- Volts (V) : 120
- Frequency (Hz) : 60
- Energy Consumption (kWh/yr) : 259
- Energy Star® qualified : Yes
- NSF certified : No
- Plug type : 120V-3 prong
- Required cutout size (HxWxD) (in) : 32 1/16" x 17 3/4" x 24"
- Product packaging dimensions (HxWxD) (in) : 34 7/16" x 20" x 26 3/4"
- Net weight (lbs) : 72
- Gross weight (lbs) : 76
- Adjustable feet : Yes
- Tub material : Stainless steel
- Tub type : EuroTub/ADA
- ADA Compliant : Yes
- Number of place settings : 9



**BOSCH**



\*  $23\frac{5}{8}''$   
without decor strips

Measurements in inches

AjMadison  
Your Appliance Authority™

800-570-3355