

LEGEND SERIES

Topmount Round Double Bowl Model SMR-3519



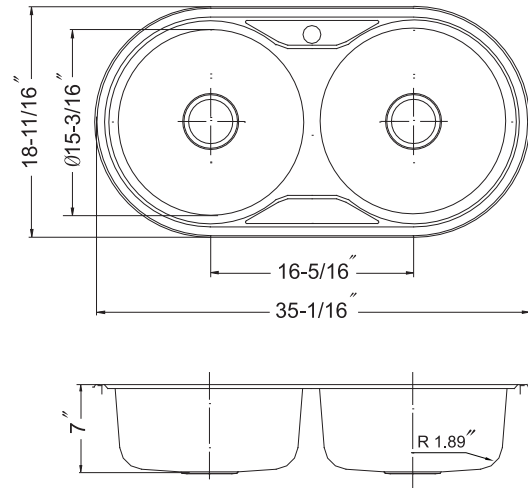
SMR-3519

FEATURES

- Premium grade T-304 stainless steel
- 7" depth • 20 gauge • 1 hole
- StoneGuard™ undercoating over Super-Silencer pad
- Lustrous satin with highlighted rim
- Fits 36" sink base
- 3-1/2" drain opening
- Supplied with fasteners and instructions
- Complies with ASME A112.19.3-2000, UPC®
- Lifetime Limited Warranty



ASME A112.19.3-2000



OPTIONAL ACCESSORIES

Bottom Grid: BG-1800

Cutting Board : CB-1800

Strainer: 190-9180

OVERALL DIMENSIONS	EACH BOWL	CUTOUT SIZE	PACKAGING*	WEIGHT*
35-1/16" x 18-11/16"	Ø 15-3/16"	34-5/16" x 17-15/16"	1/16/15 pcs.	18/230/210 lbs.

*Standard packaging: Single boxed /Pallet of single boxed/Pallet of bulk pack.
All dimensions are in inches. Specifications subject to change without notice.

Project/Job name	
Architect/Engineer	
Contractor	
Model	Q'ty
Notes	

Installation profile

